

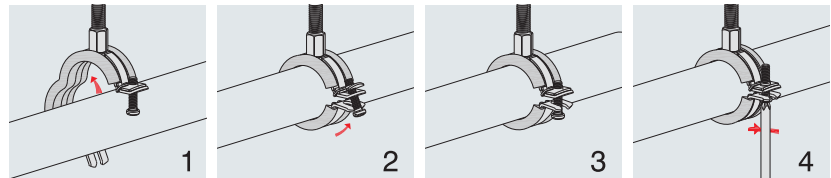
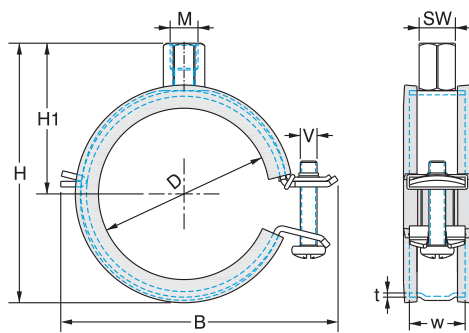
Hinged Pipe Clamp W/ Lining, **RapidClick™** Type (III)

Advantages / Benefits

- Suitable for fixing of drinking and heating water pipe lines.
- **Effective elastic Snap-in closure property.**
- Hinged pipe clamp can open wide for easy insertion of the pipe.
- Secure stop points on top of the screw prevent the screw from falling down during the installation works.
- Time and energy saving insertion of the pipe in overhead installation.
- Strong sound insulation insert for firm fit.

Technical Data

- Material: Steel 1.0332 acc. to DIN EN 10111
- Zinc plating: Electro zinc plated, 8–12 µm
- Sound absorption lining: EPDM; chlorine-free; silicone-free
- Noise reduction: According to DIN 4109
- Temperature resistance: -50°C to +110°C
- EPDM hardness: 45° +/- 5° Shore-A
- Fire behaviour: Class B2 according to DIN 4102



Article Number	Clamping Range D		Connecting Thread	Dimensions in mm					Pack Size (pcs)	Max. Rec. Load (N)	
	mm	inch		w x t	B	H	H1	SW			V
89 023 62	12-14	1/4	M8/M10	20x1,5	48	44	30	13	M6x25	150	1200
89 023 63	15-19	3/8	M8/M10	20x1,5	52	49	32	13	M6x25	150	1200
89 023 64	20-23	1/2	M8/M10	20x1,5	57	53	35	13	M6x25	100	1200
89 023 65	25-28	3/4	M8/M10	20x1,5	62	58	37	13	M6x25	100	1200
89 023 66	32-35	1	M8/M10	20x1,5	70	65	41	13	M6x30	100	1200
89 023 67	40-46	1 1/4	M8/M10	20x1,5	80	76	46	13	M6x30	50	1200
89 023 68	48-53	1 1/2	M8/M10	20x2,0	90	85	51	13	M6x30	50	1400
89 023 69	59-62	2	M8/M10	20x2,0	99	94	55	13	M6x30	50	1400