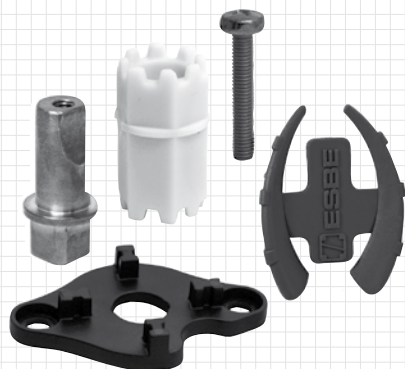




www.esbe.se



ARA806 ADAPTER KIT HONEYWELL



NO.1 IN HYDRONIC SYSTEM CONTROL



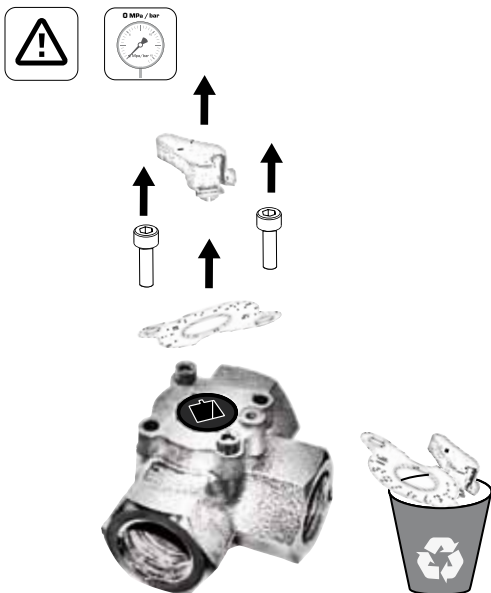
Series ARA600
Series CRA110
Series CRB100



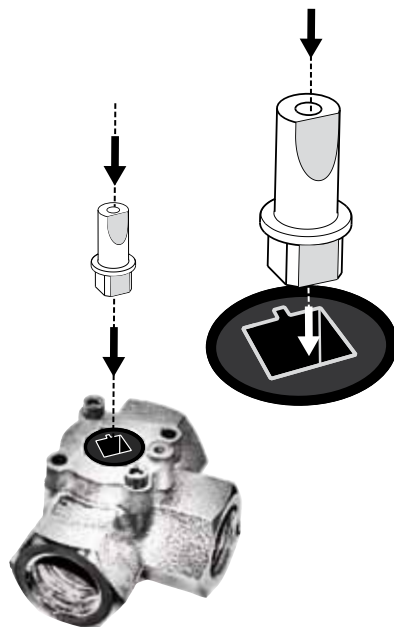
CE

Mtrl.nr. 9814 0397 • Ritn.nr. 8289 utg.A • Rev. 1003

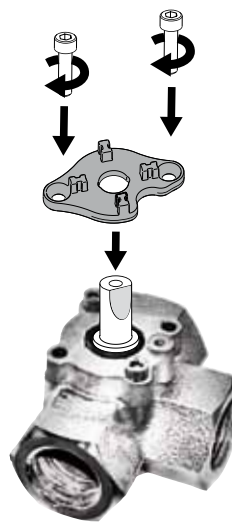
1



2



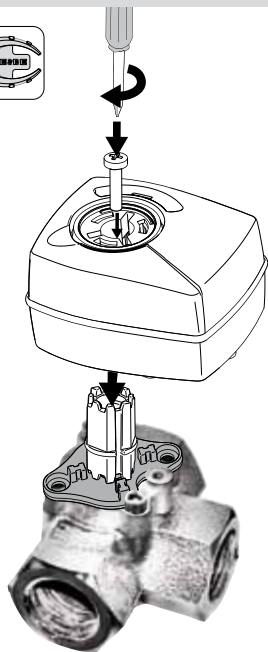
3



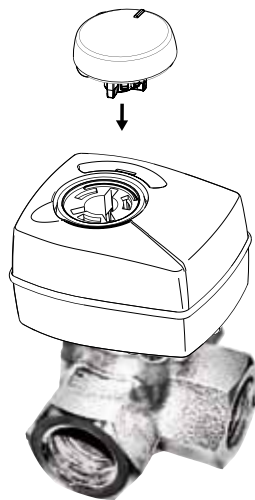
4



5



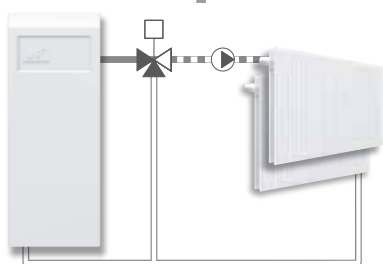
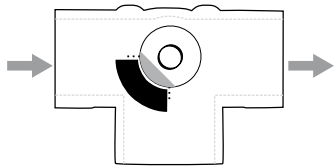
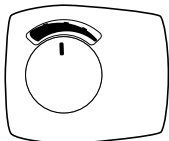
6



7



8



9

