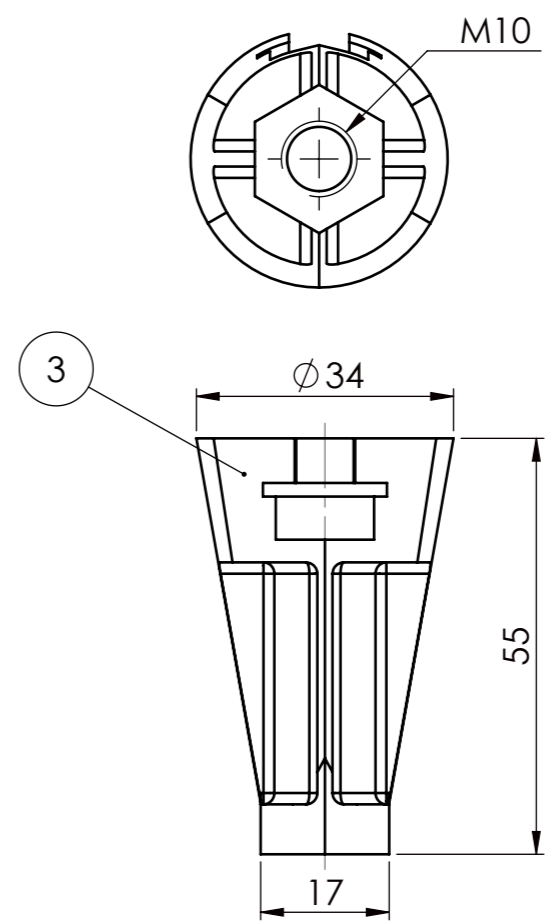
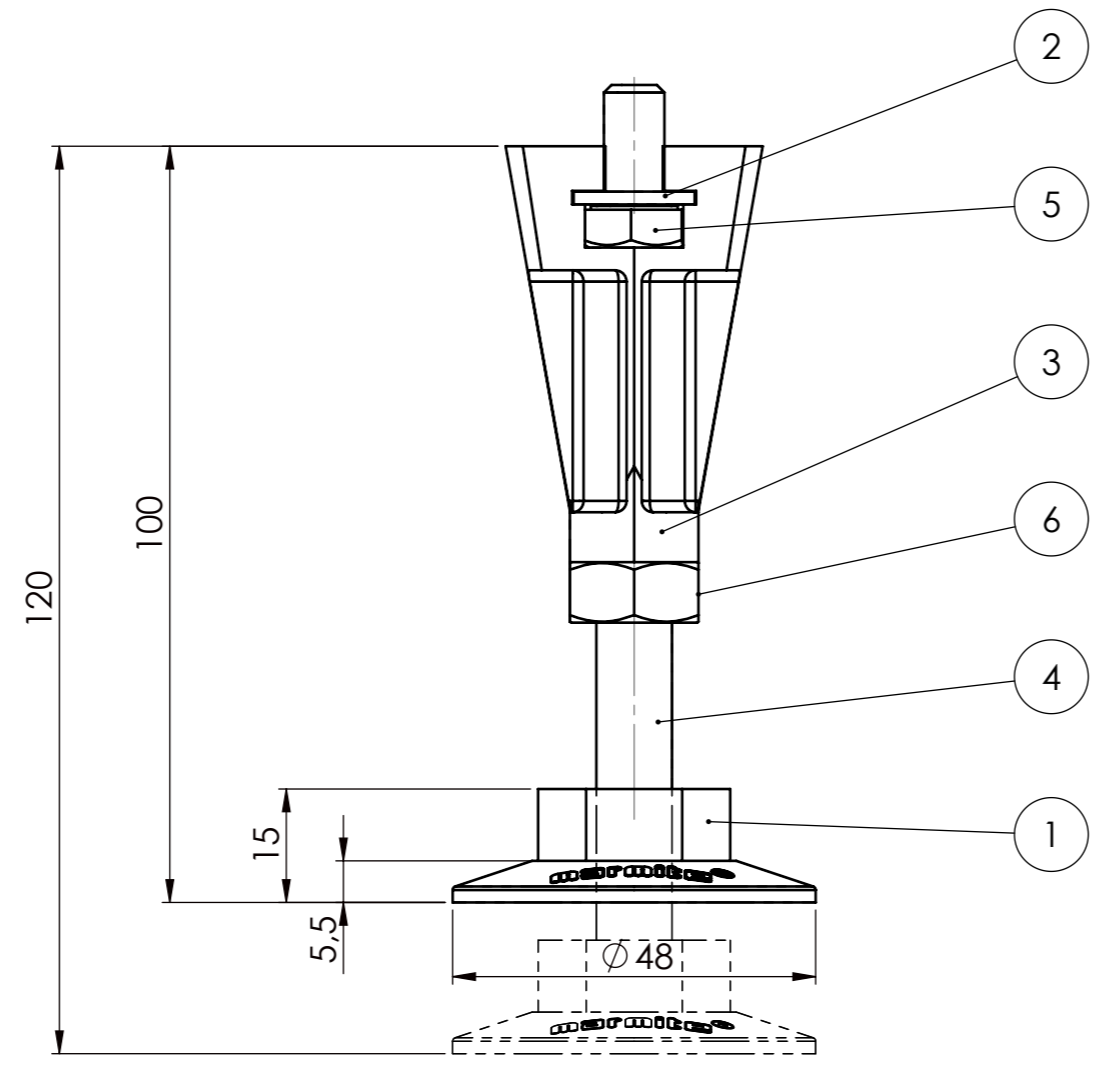
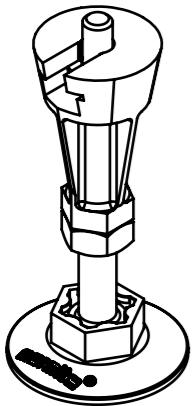


Rev	Design Change Note	Author	Date
A	First issue - proposal	ZP	2014-04-09



6	103300000023 NUT M10	1
5	103300000035 SCREW M8X16	1
4	103300000033 SCREW M10x65	1
3	103300000037 PLASTIC LEG 55mm	1
2	106090000031 WASHER M8	1
1	103300000007 PLASTIC FOOT	1
ELEMENT NO.	ART. NAME	QUANTITY OF PARTS

Drawn by xxxx	Created Date 2014-04-09	Checked by Zbigniew P	Art. Name: SHOWERTRAY LEG TYPE2 100mm-120mm			
			Art. No: XXXX			
Project status	Sheet Size A3	Scale 1:1		Current revision		

This document must not be copied without our written permission, and the contents thereof must not be imparted to a third party nor be used for any unauthorized purpose. Contravention will be prosecuted.