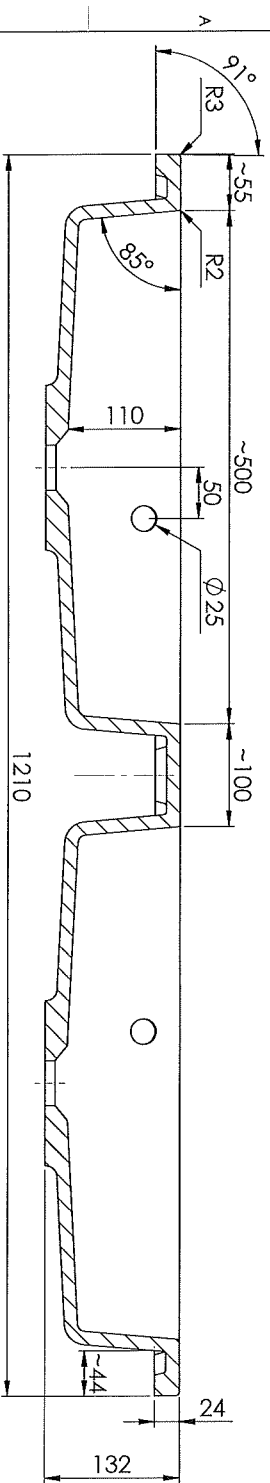
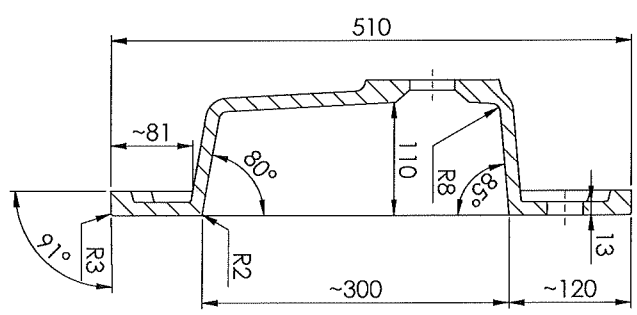
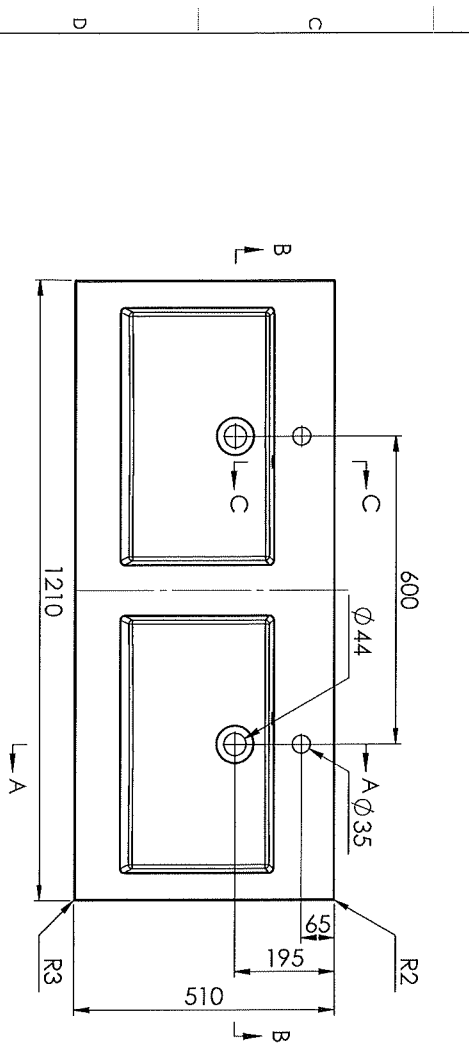


TRENDY K200166585

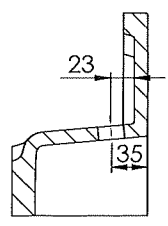
Rev	Design Change Note	Author	Date
001	First Issue	KW	2017-02-17



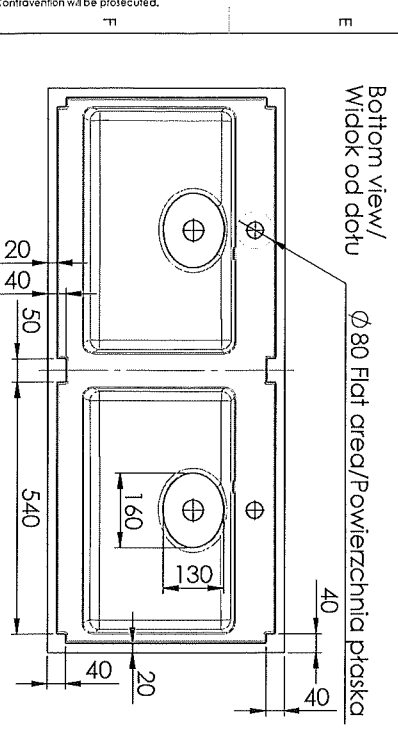
B-B (1:5)



A-A (1:5)



C-C (1:5)



Bottom view/  
Widok od dołu  
Ø80 Flat area/Powierzchnia płaska

Tolerance total		length	+3/0 mm	width	+2/0 mm	height	+2/-2 mm
Tol. height side walls		>25 mm	+1/-1 mm				
Tolerance holes location			+2/-2 mm				
Tolerance holes diameter			+1/-1 mm				
Tolerance plane bending			+1,5/-1,5 mm				

Drawn by	Karlin A	Created Date	2014-07-04	Checked by	Zbigniew P
Project status	Approved	Client	MARONESE		
Art. Name:	AZARIA 1210D	Art. No:	62900112420X	Material volume (mm³)	12545236
Customer ID:	3284	Sheet size	A3	Scale	1:10
Model No:	FA310124	Main dimensions: L x W x H (mm)	1210 x 510 / 132	Current revision	001

This document must not be copied without our written permission, and the contents thereof must not be imparted to a third party nor be used for any unauthorized purpose. Contravention will be prosecuted.