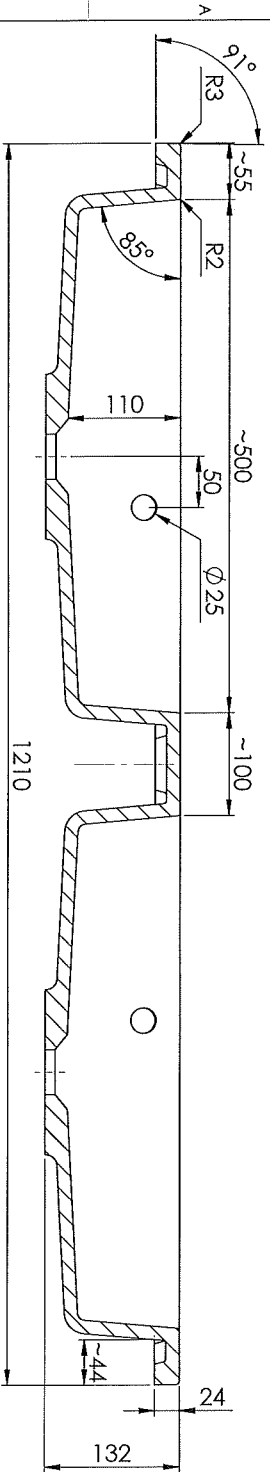
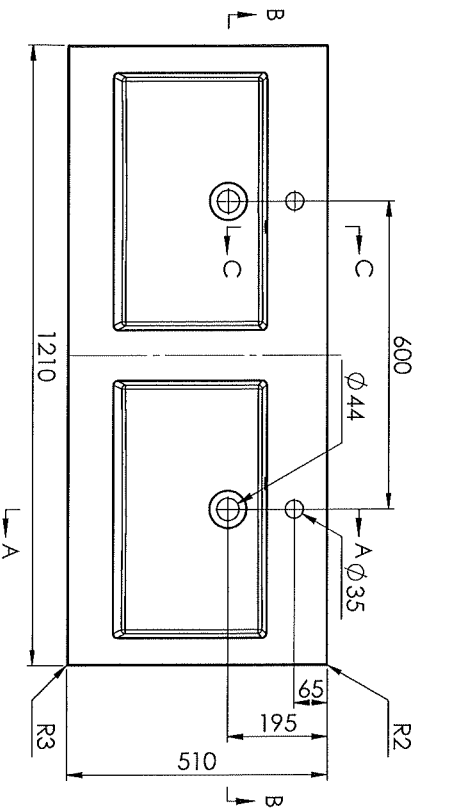


TRENDY K200166585

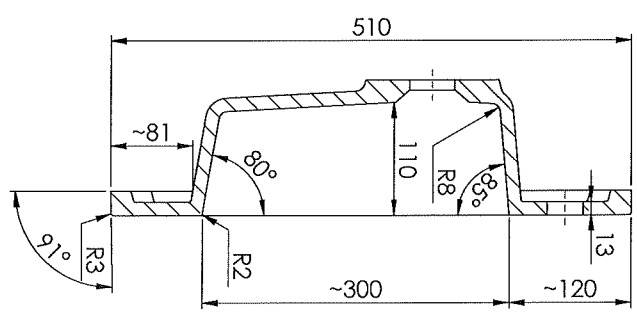
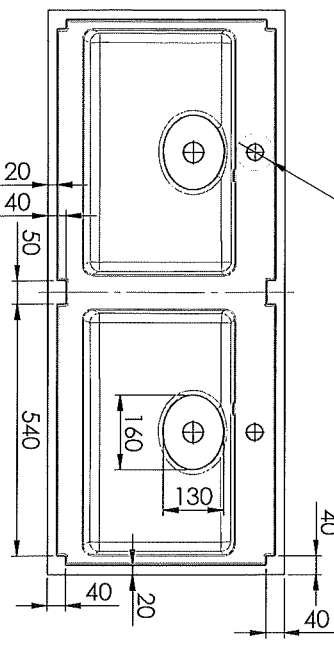
Rev	Design Change Note	Author	Date
001	First Issue	KW	2017-02-17



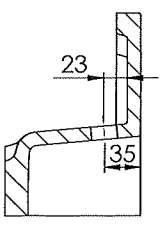
B-B (1:5)



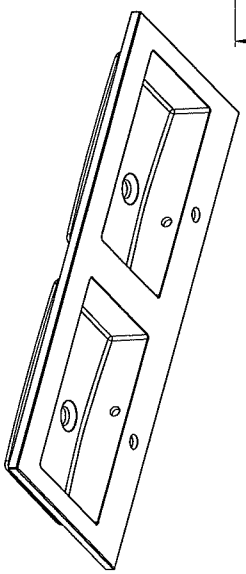
Bottom view/
Widok od dołu/
Ø80 Flat area/Powierzchnia płaska



A-A (1:5)



C-C (1:5)



This document must not be copied without our written permission, and the contents thereof must not be imparted to a third party nor be used for any unauthorized purpose. Contravention will be prosecuted.

Tolerance total		length	+3/0 mm	width	+2/0 mm	height	+2/-2 mm
Tol. height side walls		$\leq 25\text{ mm}$	+1/-1 mm	$\geq 25\text{ mm}$	+2/-2 mm	Tolerance holes location	
Tolerance holes diameter		+1/-1 mm		+2/-2 mm		Tolerance plane bending	
		+1,5/-1,5 mm					

Drawn by	Karlin A	Created Date	2014-07-04	Checked by	Zbigniew P
Project status	Approved	Client	MARONESE	Art. Name:	AZARIA 1210D
				Art. No:	62900112420x
				Customer ID:	3284
				Material volume (mm ³)	12545236
				Surface area (mm ²)	1872783
				Yes	2
				Scale	1:10
				Current revision	001

Model No: FA310124

Regulator