

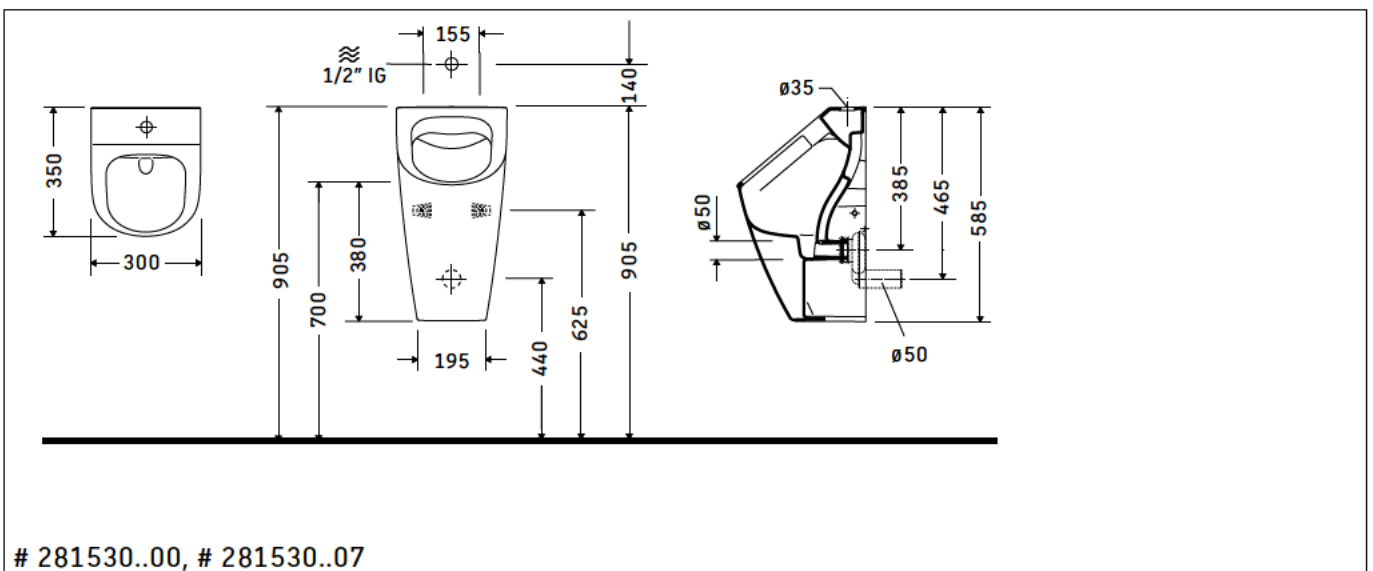
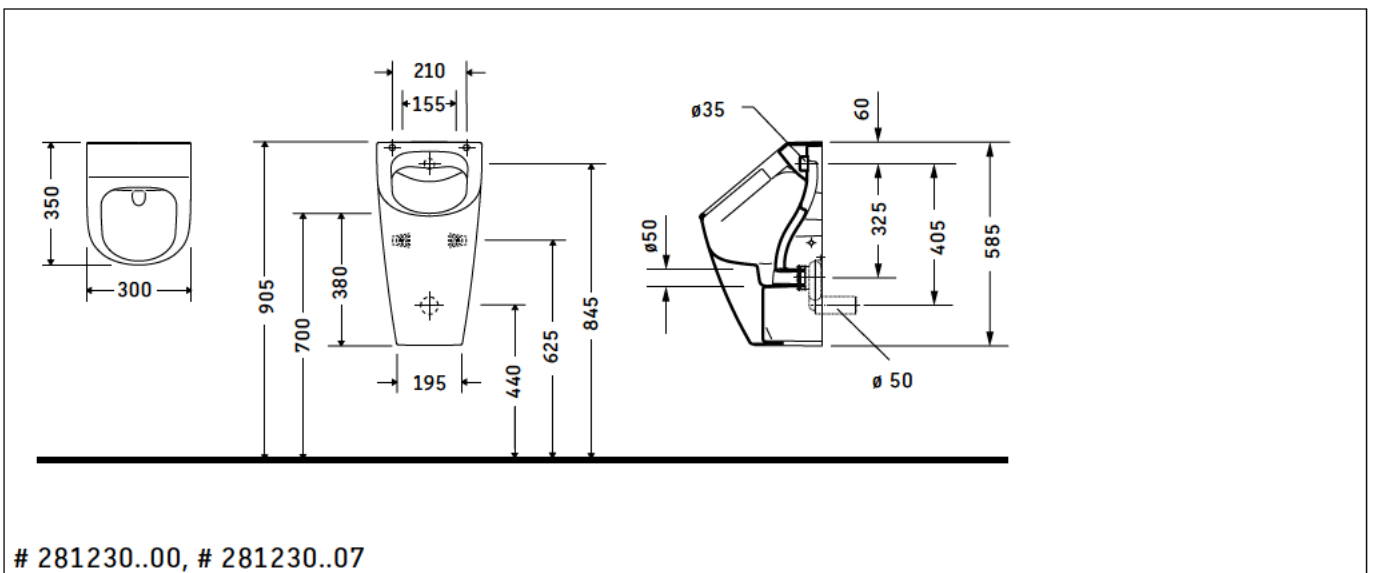
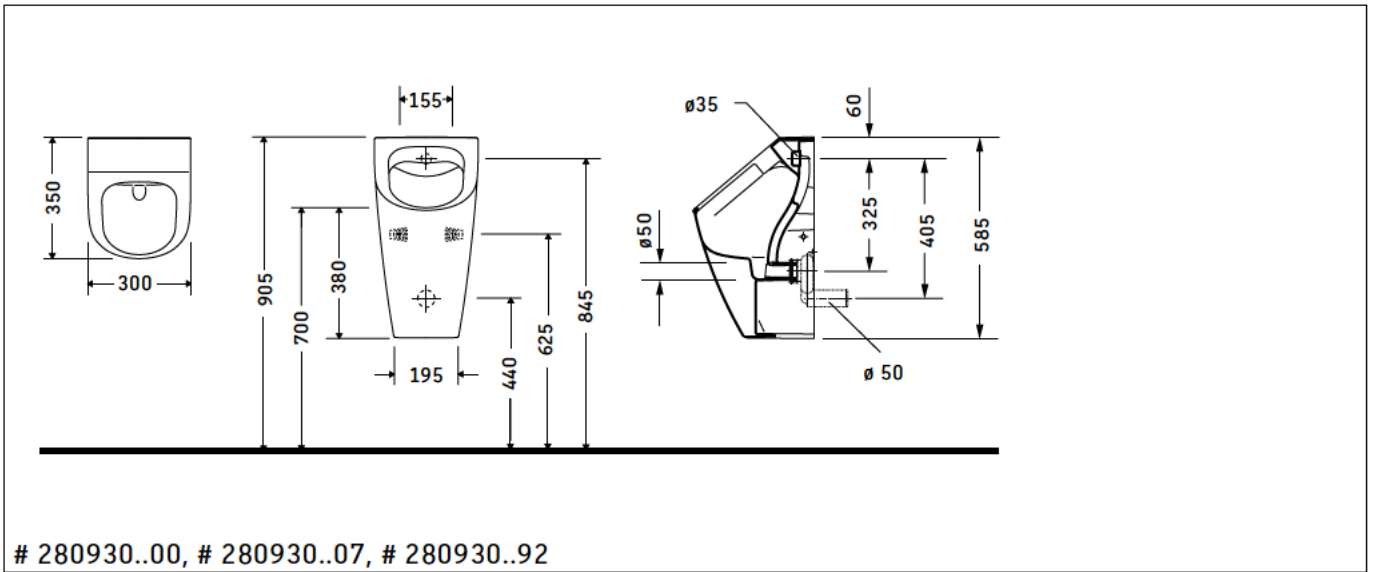
ME by Starck

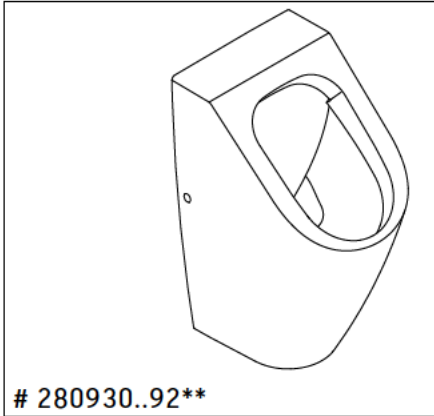
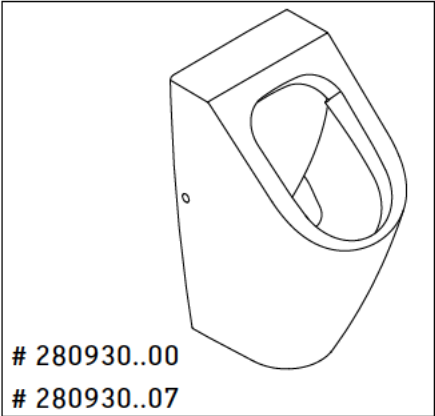
| | |
|----------------------------------|-------------------------------|
| Montageanleitung | Urinal, Duravit Rimless® |
| Mounting instructions | Urinal, Duravit Rimless® |
| Notice de montage | Urinoir, Duravit Rimless® |
| Montagehandleiding | Urinoir, Duravit Rimless® |
| Instrucciones de montaje | Urinario, Duravit Rimless® |
| Istruzioni di montaggio | Orinatoio, Duravit Rimless® |
| Instruções de montagem | Urinol, Duravit Rimless® |
| Monteringsvejledning | Urinal, Duravit Rimless® |
| Asennusohje | Urinaali, Duravit Rimless® |
| Monteringsanvisning | Urinal, Duravit Rimless® |
| Monteringsanvisning | Urinoar, Duravit Rimless® |
| Paigaldusjuhend | Pissuaar, Duravit Rimless® |
| Instrukcja montażu | Pisuar, Duravit Rimless® |
| Инструкция по монтажу | Писсуар, Duravit Rimless® |
| Montážní návod | Urínál, Duravit Rimless® |
| Návod na montáž | Pisoár, Duravit Rimless® |
| Szerelési útmutató | Piszoár, Duravit Rimless® |
| Upute za montažu | Pisoar, Duravit Rimless® |
| Instrucțiuni de instalare | Urinal, Duravit Rimless® |
| Navodila za montažo | Pisoar, Duravit Rimless® |
| Ръководство за монтаж | Писоар, Duravit Rimless® |
| Montāžas instrukcija | Pisuārs, Duravit Rimless® |
| Montavimo instrukcija | Pisuaras, Duravit Rimless® |
| Montaj kılavuzu | Pisuar, Duravit Rimless® |
| 安装说明 | 小便器, Duravit Rimless® |
| 설치 설명서 | 소변기, Duravit Rimless® |
| 取り付け説明書 | 小便器, Duravit Rimless® |
| دليل التركيب | مبولة, مرحاض Duravit Rimless® |

280930..00, # 280930..07, # 280930..92

281230..00, # 281230..07

281530..00, # 281530..07





**to be installed only with a Water-Sense labeled flush valve with the same flush rating

