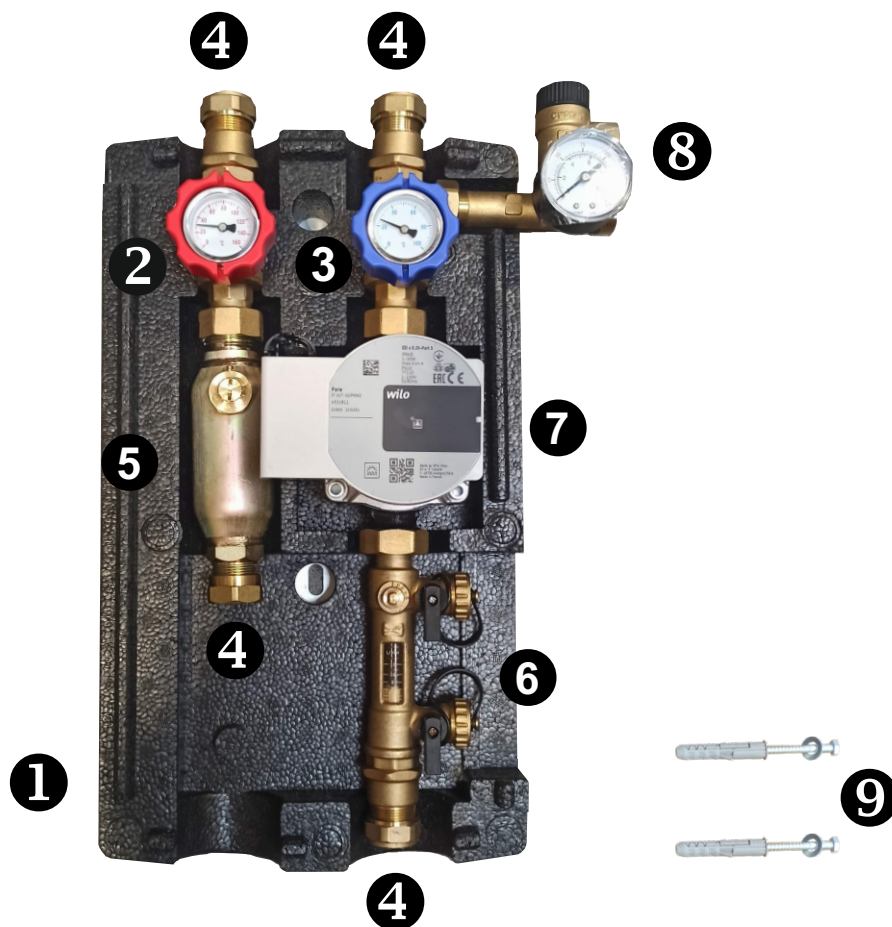


SOLAR STATION GPS PWM



400001404 - Solar station GPS PWM without regulator

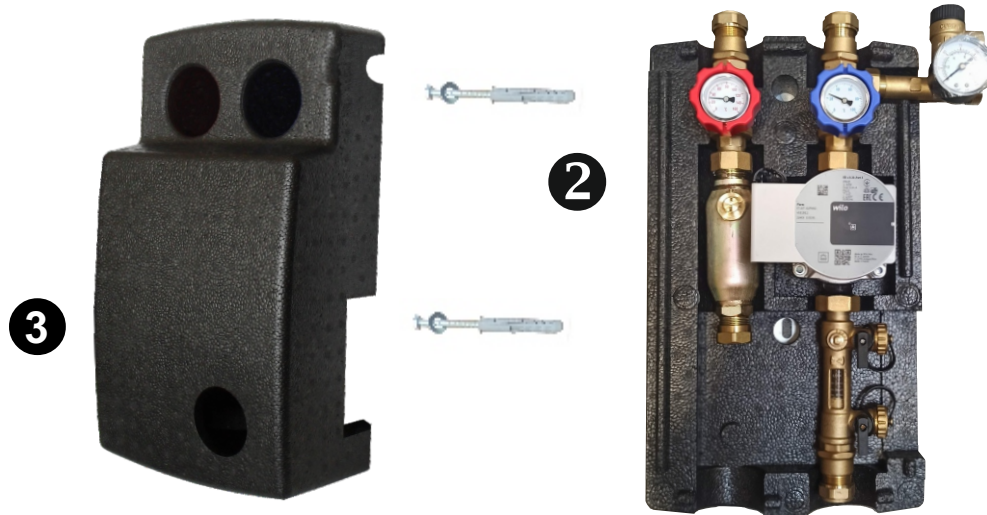
Solar station components



1. Housing Base
2. Thermometer with ball valve and non-return valve - red
3. Thermometer with ball valve and non-return valve - blue
4. Connection Ø22
5. Air separator with manual air vent
6. Rotameter 2-12l/min
7. Wilo Para PWM2 pump
8. Safety group with 6 bar safety valve and 10 bar pressure gauge
9. Expansion bolts

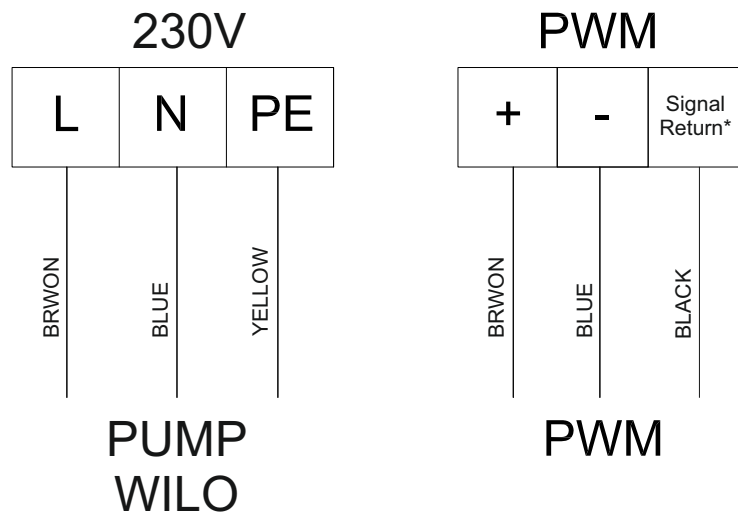
Mounting the solar station on the wall

1. Plan the location of the station base.
2. Mount the solar station base with 2 expansion bolts.
3. Cover assembly.

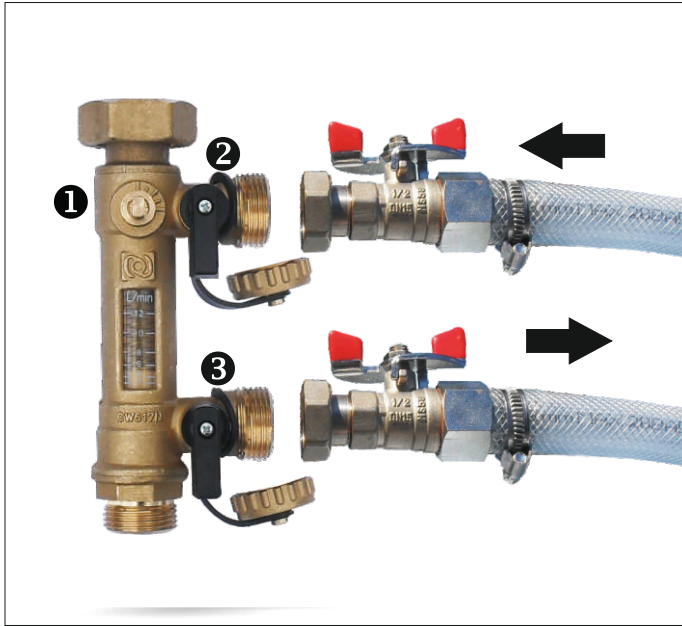


Electrical connection

- ☞ Connect the three-wire PWM cable to the signal connections of the solar controller.
- ☞ Connect the 230V three-wire cable to the voltage connections of the solar controller.

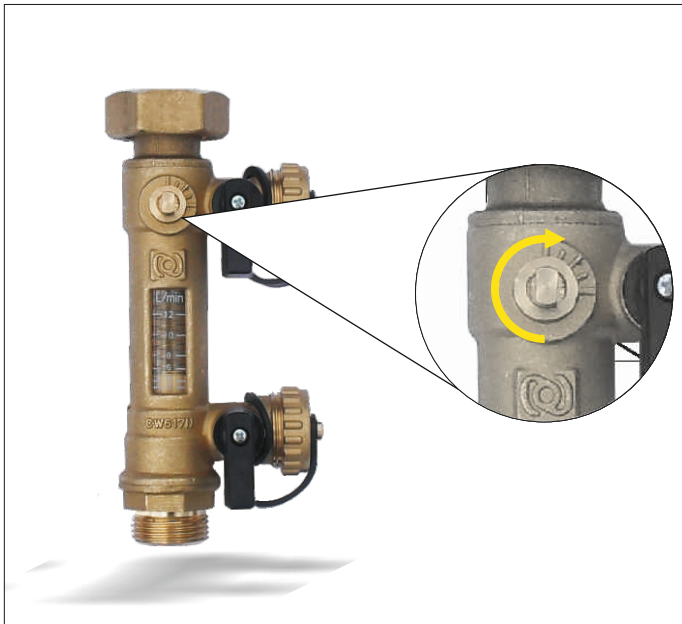


*if the controller to which the PWM signal is connected is not able to read the return signal, leave the black cable disconnected.



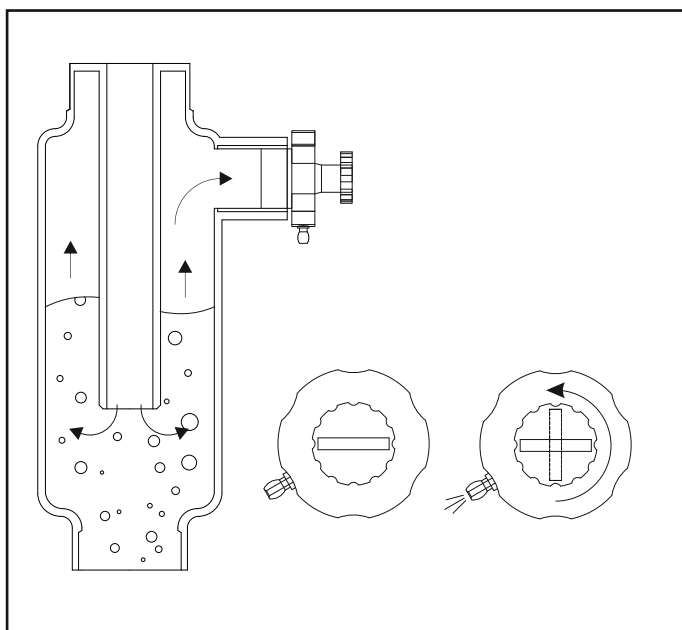
Filling the system

Connect the supply hose to the top connection and the return hose to the bottom connection. Open the ball valves on the hoses. Open valves 2 and 3, while valve 1 must be closed to force circulation during filling. The filling station forces the operating medium into the system via the upper valve. Filling can be completed when there are no air bubbles in the solar system. After filling the system, valve 1 should be opened so that the operating medium can flow freely through the rotameter.



Setting the flow rate.

On the solar controller with the PWM speed control function, we specify the temperature difference between the collector supply and the tank, as a result of which the controller automatically controls the pump speed to select the optimum flow (heat extraction).



Venting

To vent the system, turn the hand vent knob until fluid flows out through the vent.

Technical parameters of the solar station

Max. pressure:	6 bar
Max. temperatura:	110 °C
Connection method pipes:	R22 connections
Connections for expansion vessel:	ET 3/4"
Housing dimensions:	460x310x190mm
Weight:	5.1 kg
Pump characteristics:	According to the diagram below

Characteristics of the WILO PARA PWM2 Pump

