

DESCRIZIONE - BESCHREIBUNG - DESCRIPTION

Valvola d'arredo a squadra termostattabile destra-sinistra attacco a compressione.

TA Finitura cromo
TB RAL 9016 finitura bianca
NN RAL 9004 finitura nera

Winkel-Eck-Heizkörperthermostatventil, Rohranschluss für Klemmringverschraubung

TA verchromt
TB RAL 9016 Farbe Weiß
NN RAL 9004 Farbe Schwarz matt

Right-left angle thermostatic radiator valve compression end.

TA Chrome finishing
TB RAL 9016 white color
NN RAL 9004 black color

Pressione di esercizio
Betriebsdruck **10bar**
Working pressure

Temperatura di esercizio
Betriebstemperatur **-20°C+110°C**
Working temperature



130TA-D (destra - rechts - right)



130TA-S (sinistra - links - left)



130TB-D (destra - rechts - right)



130TB-S (sinistra - links - left)



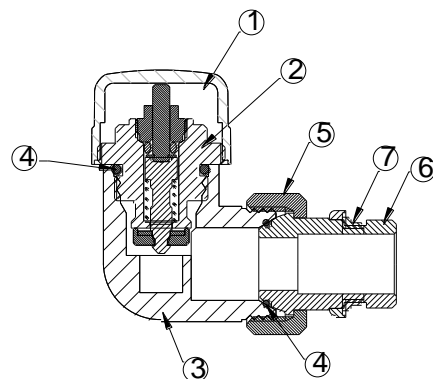
130NN-D (destra - rechts - right)



130NN-S (sinistra - links - left)

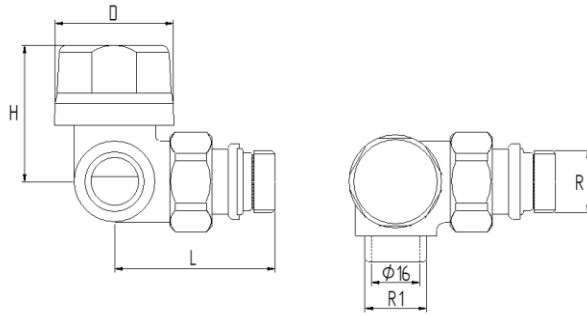
CARATTERISTICHE - EIGENSCHAFTEN - FEATURES

Componente - komponente - part	
1: volantino - Regulierkappe - handwheel	ABS
2: vitone - Ventileinsatz - headwork	OT58
3: corpo - Gehäuse - body	OT58
4: O-ring	EPDM
5: calotta - Mutter - nut	OT58
6: codolo - Anschluss - tail 1/2"	OT58
7: guarnizione - Dichtung - gasket	EPDM



DIMENSIONI PRINCIPALI - ABMESSUNGEN - LEADING DIMENSIONS

RxR1	1/2x1/2
D	33
L	55
H	45



PERDITE DI CARICO - DRUCKVERLUST - PRESSURE DROPS

	1	2	TA
Kv	0.34	0.60	1.75
QmNH	190	[Kg/h]	

