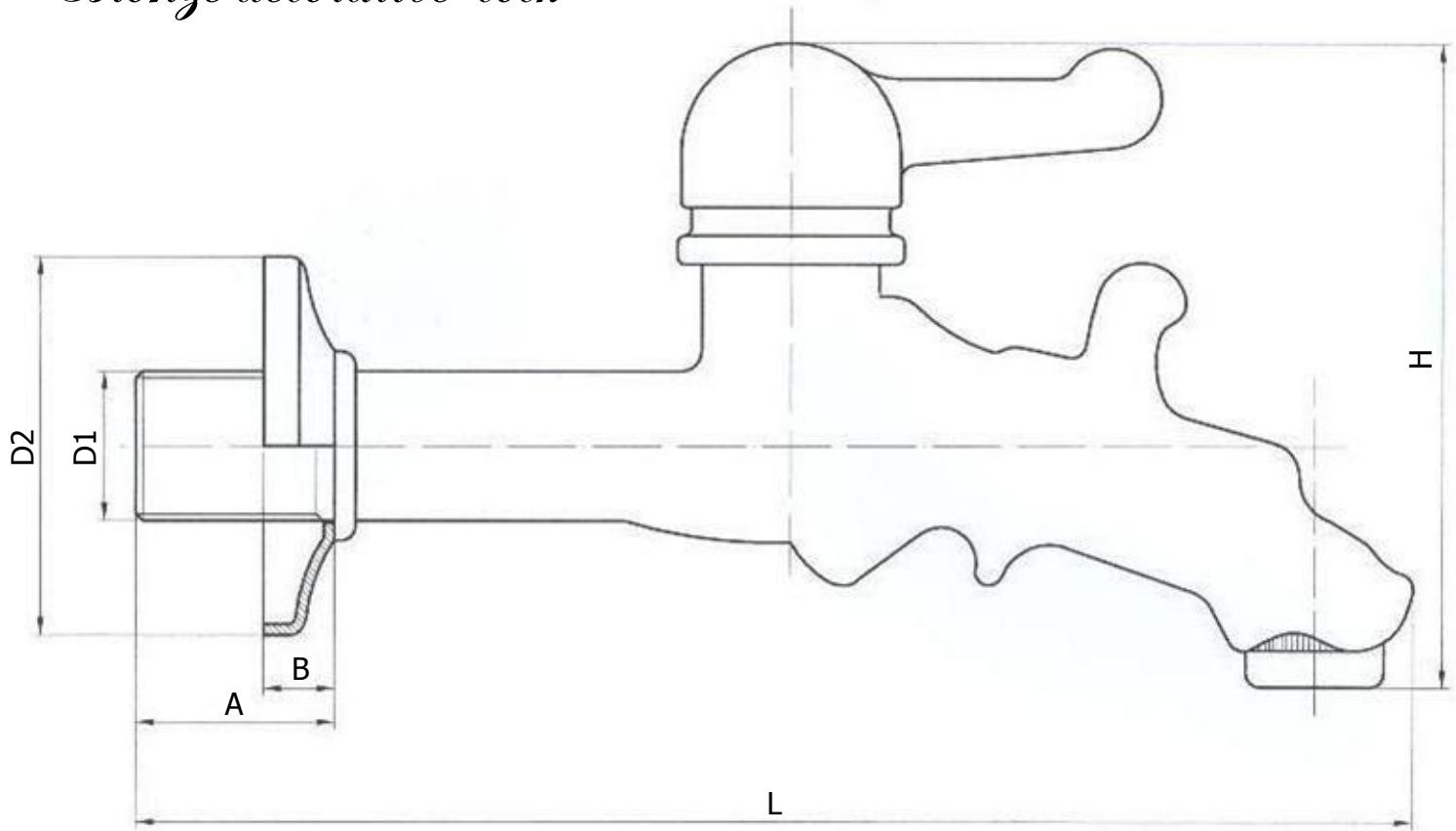


Bronze decorative cock



Measure	mm
D1	G 1/2"
D2	54
A	28
B	10
L	175
H	112
weight	622 g

Bronze decorative cock at rapid manoeuvre short type RENAISSANCE with small rosette and hose-union connection G 1/2".
Gilt on request.

STANDARD VALVE FEATURES

- Working temperature : MIN. -10°C MAX. +100 °C
for the passage into the valves of fluid with constant temperatures below 0°C, the purchaser should refer to the manufacturer.
- Max pressure : 6 bar
- Threaded ends : ISO 228/1

We don't assume the responsibility if you use products which are not consistent with the material used for the construction of our valves.

To be used as a guide only, IDROSFER reserve the right to change these data without notice.