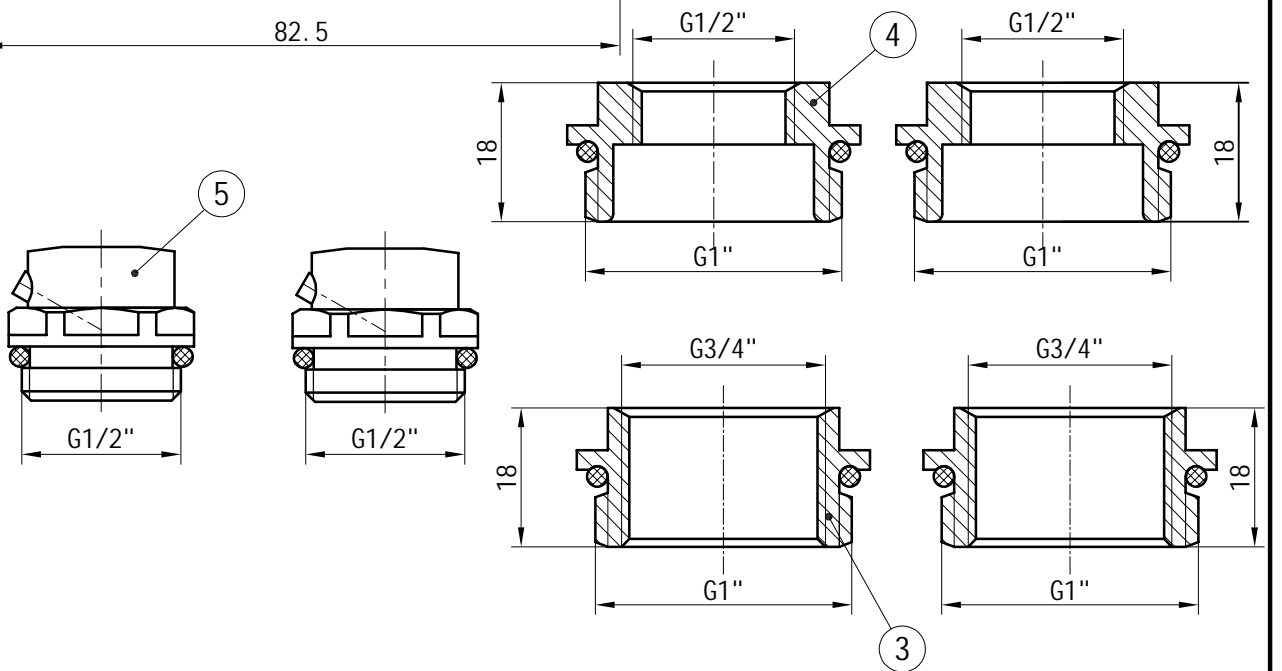
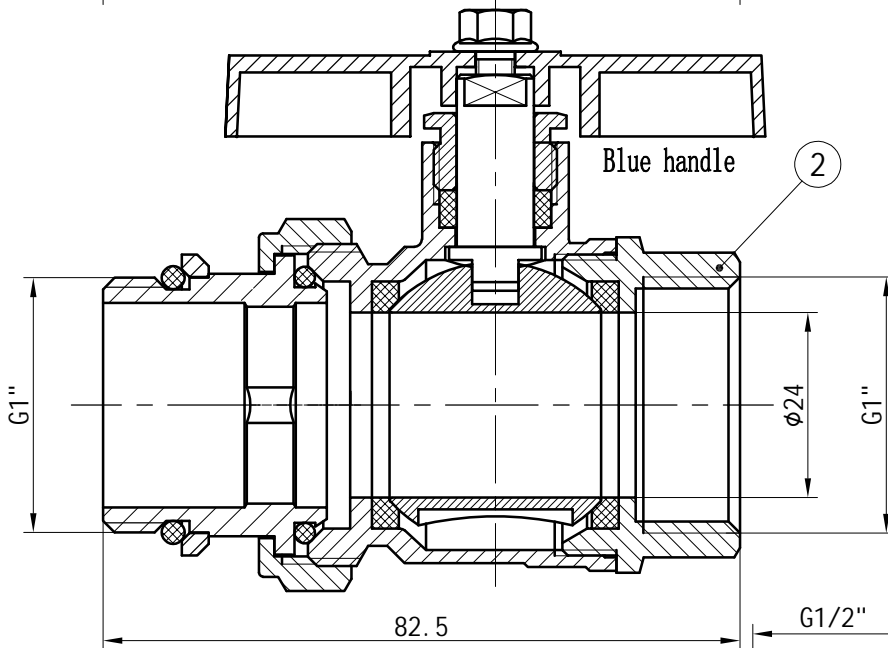
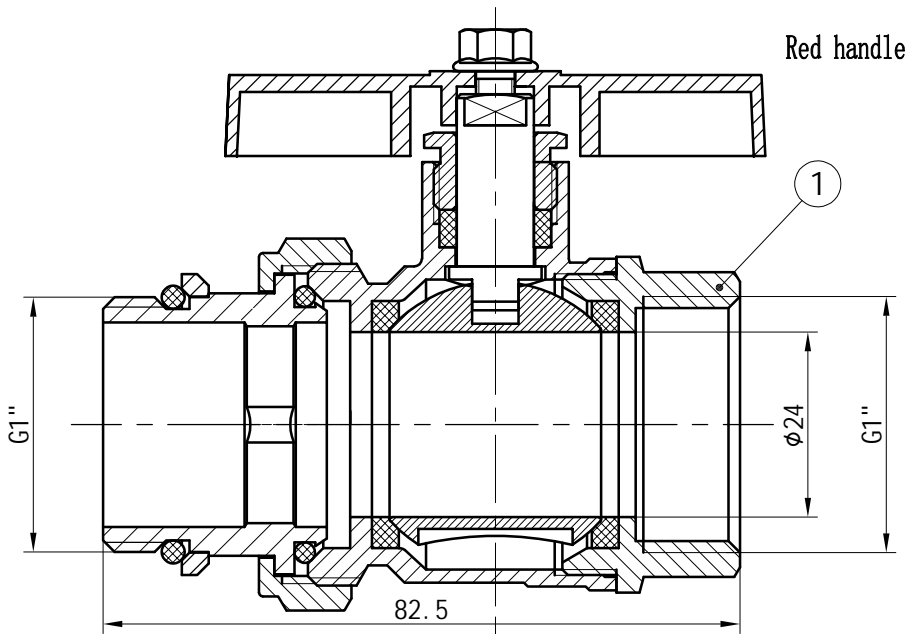


NO.	Part name	Material
1	Ball valve	Subassembly
2	Ball valve	Subassembly
3	Union	Subassembly
4	Union	Subassembly
5	Air valve	Subassembly



GmbH

Code

89 004 91

Description