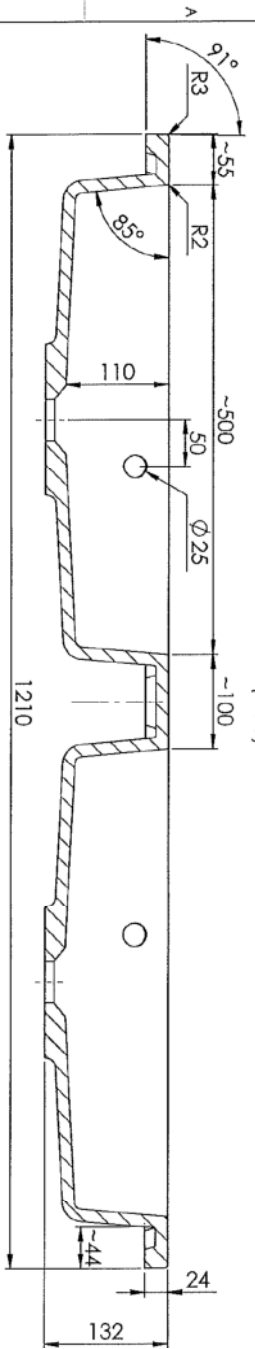
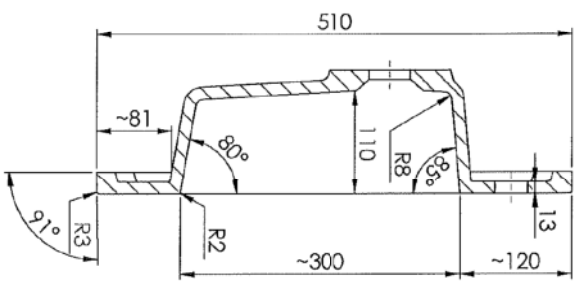


Rev	Design Change Note	Author	Date
001	First Issue	KW	2017-02-17

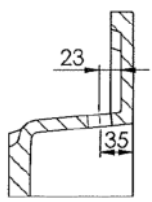
TRENDY KE00166585



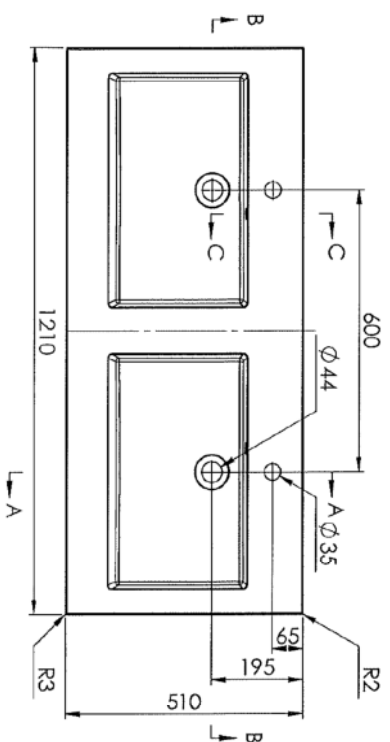
B-B (1:5)



A-A (1:5)

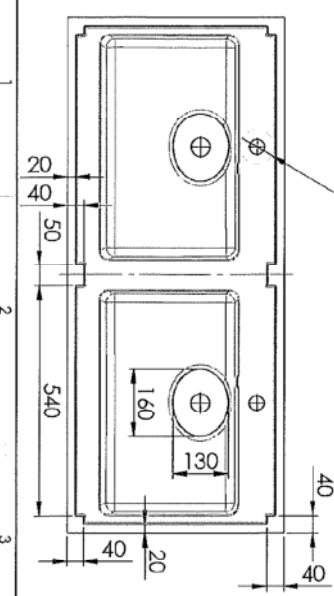


C-C (1:5)



Bottom view/  
Widok od dołu

Ø80 Flat area/Powierzchnia płaska



Tolerance total	length	+3/0 mm
	width	+2/0 mm
Tol. height side walls	height	+2/-2 mm
	height	+1/-1 mm
Tolerance holes location	<25 mm	+2/-2 mm
	>25 mm	+2/-2 mm
Tolerance holes diameter		+1/-1 mm
		+1/-1 mm
Tolerance plane bending		+1.5/-1.5 mm

Project by	Checked By
Kacim A	Zbigniew P
Project status	Date
Approved	MARONESE

Mt. Name:	Model No.:
AZARIA 1210D	FA310124
Mt. No.:	Customer ID:
6290011242XX	3284
Customer reference	Customer
12545233	1210 x 510 / 132
Customer ref. (mm)	Year
187783	2017
Customer ref. (mm)	Scale
187783	1:10
Customer ref. (mm)	Material
187783	Regular
Customer ref. (mm)	Order No.
187783	001

This document must not be copied without our written permission, and the contents thereof must not be imparted to a third party nor be used for any unauthorized purpose. Contention will be prosecuted.