

Operating instructions



POSEIDON 2



ⒹⒶ	Instruktionsbog	3
ⓃⓄ	Instruksjonsbok	17
ⓈⓋ	Instruktionsbok	32
ⒻⒾ	Käyttöohje	47
ⒺⓃ	Instruction manual	62
ⒹⒺ	Betriebsanleitung.....	76
ⒻⓇ	Manuel d'Instructions	93
ⓃⒻ	Gebruikershandleiding	109
ⒾⓉ	Manuale di istruzioni	124
ⒺⓈ	Manual de Instrucciones.....	139
ⓅⓉ	Manual de Instruções.....	155
ⒺⒻ	γχειρίδιο οδηγιών.....	170

DA

Index

NO

SV

FI

EN

DE

FR

NL

IT

ES

PT

EL

1	Safety precautions and warnings	62
2	Description	64
3	Before you start using your pressure washer	65
4	Operating your pressure washer	66
5	Fields of application and working methods	70
6	After using your pressure washer	71
7	Maintenance	72
8	Trouble Shooting	73
9	Further information	74
10	Main Technical Data	75
11	EC Declaration of Conformity	75

1 Safety Precautions and Warnings

Symbols used to mark instructions



Before starting up your high-pressure washer for the first time, this instruction manual must be read through carefully. Save the instructions for later use.



Safety instructions marked with this symbol must be observed to prevent danger to persons.



This symbol is used to mark safety instructions that must be observed to prevent damage to the machine and its performance.



This symbol indicates tips and instructions to simplify work and to ensure a safe operation.



Do not let children or people who have not read the instruction manual operate the machine.

This appliance is not intended for use by children or other persons without assistance or supervision if their physical, sensory or mental capabilities prevent them from using it safely. Children should be supervised to ensure that they do not play with the appliance.

Before starting up your machine please check it carefully for any defects. If you find any, do not start up your machine

and contact your Nilfisk-ALTO distributor.

Especially check:

- The insulation of the electric cable should be faultless and without any cracks. If the electric cable is damaged, an authorized Nilfisk-ALTO distributor should replace it.

WARNING!

- High pressure jets can be dangerous. Never direct the water jet at persons, pets, live electrical equipment or the machine itself.
- Never try to clean clothes or footwear on yourself or other

persons.

- Hold the spray lance firmly with both hands. The spray lance is affected by a thrust of up to 16.4 N during operation.
- The operator and anyone in the immediate vicinity of the site of cleaning should take action to protect themselves from being struck by debris dislodged during operation. Wear goggles during operation.
- This appliance has been designed for use with cleaning agents supplied or recommended by the manufacturer. The use of other cleaning

agents or chemicals may adversely affect the safety of the appliance.

- To ensure the appliance safety only use original spare parts from the manufacturer or approved by the manufacturer.
- High pressure hoses, fittings and couplings are important for the safety of the appliance. Only use hoses, fittings and couplings recommended by the manufacturer.
- Do not use the appliance if a supply cord or important parts of appliance are damaged, e.g. safety device, high pressure hose and trigger gun.
- Remove the plug from the socket outlet during cleaning or maintenance and when replacing parts or converting the machine to another function.
- Appropriate ear protection must be used.
- Never use the machine in an environment where there could be a danger of explosion. If any doubt arises, please contact the local authorities.
- It is not allowed to clean asbestos-containing surfaces with high pressure.
- Do not spray flammable liquids.
- Always switch off the mains disconnecting switch when leaving the machine unattended.
- This high pressure washer must not be used at temperatures below 0°C.

WARNING!

Inadequate extension cables can be dangerous. If an extension cord is used, it shall be suitable for outdoor use, and the connection has to be kept dry and off the ground. It is recommended that this is accomplished by means of a cable reel which keeps the socket at least 60 mm above the ground. Cables on reels should always be completely unwound

to prevent the cable from overheating.

Extension cables should comply with the below-mentioned requirements for length and cable dimensions.

1.0 mm ²	max.	12.5 m
1.5 mm ²	max.	20 m
2.5 mm ²	max.	30 m

Only POSEIDON 2-17 X:

2.0 mm ²	máx.	12.5 m
2.5 mm ²	máx.	20 m

- If the electric cable is damaged, it must be replaced by the manufacturer or his service agent or similarly qualified person in order to avoid a hazard.

Mains power connection



The following should be observed when connecting the high pressure washer to the electric installation:

- Only connect the machine to an installation with earth connection.
- The electric installation shall be made by a certified electrician and comply with IEC 60364-1.
- It is strongly recommended that the electric supply to this machine should include a residual current device (GFCI).

Water connection

Connection to the public mains according to regulations.



Machine not suitable for connection to the potable water mains.

This high pressure washer is only allowed to be connected with the drinking water mains, when an appropriate backflow preventer has been installed, Type BA according to EN 1717. The length of the hose between the backflow preventer and the

high pressure washer must be at least 10 metres to absorb possible pressure peaks (min diameter ½ inch).

Operation by suction (for example from a rainwater vessel) is carried out without backflow preventer.

As soon as water has flown through the BA valve, this water is not considered to be drinking water any more.

IMPORTANT! Only use water without any impurities. If there is a risk of silt, sand or sediment in the inlet water (i.e. from your own well), an additional filter should be mounted.

Safety devices

Locking device on spray handle (7a) (see illustration at the end of this manual):

The spray handle features a locking device. When the button is activated, the spray handle cannot be operated.

Thermal sensor:

A thermal sensor protects the motor against overloading. The machine will restart after a few minutes when the thermal sensor has cooled.

Pressure safety device

An integrated hydraulic safety valve protects the system from excessive pressure.

DA

NO

SV

FI

EN

DE

FR

NL

IT

ES

PT

EL

DA

2 Description

NO

SV

2.1 Application

This high-pressure washer has been developed for domestic use for cleaning:

- *Car, motorbike, boat, caravan, trailer, patio/drive/flagstones, woodwork, brickwork, barbecue, garden furniture, lawn mower*

Only use the high-pressure washer for purposes described in this manual.

The safety precautions must be observed to prevent damage to the machine, the surface to be cleaned or severe personal injuries.

FI

EN

DE

Section 5 describes the use of the high-pressure washer for various cleaning jobs.

FR

NL

2.2 Operation elements and model survey

See illustration at the end of this manual.

- 1 Start/stop switch
- 2 Water inlet (with filter)
- 3 High pressure connection (only machines without hose reel)
- 4 High pressure hose
- 5 Electric cable
- 6 Button for regulation of pressure and water volume
- 7 Ergo 2000 spray handle with lock (7a)
- 8 Flexopower Plus spray lance
- 9 Turbohammer Plus spray lance

10 Detachable detergent container

11 Nozzle cleaning tool

12 Dosing of detergents

13 Hose reel

14 Hose hook (only machines without hose reel)

15 Model tag

16 Button for telescopic handle

17 Telescopic handle

18 Turnable cable hook

Specifications: See model tag (15) of machine.

We reserve the right to alter the specifications.



IT

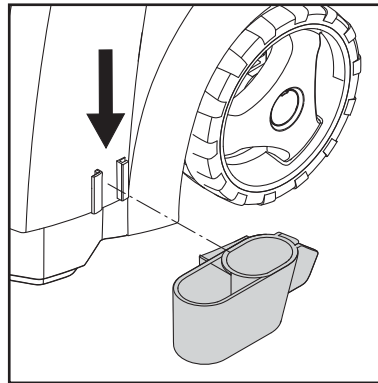
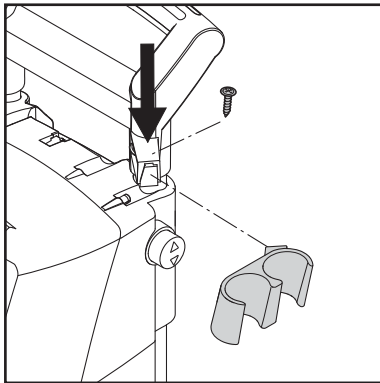
ES

PT

EL

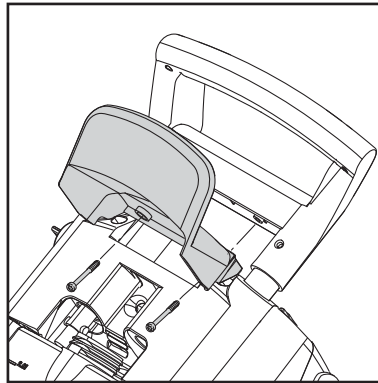
3 Before you start using your pressure washer

3.1 Mounting of holders for spray lance



Mount the holders for spray lance on the machine.

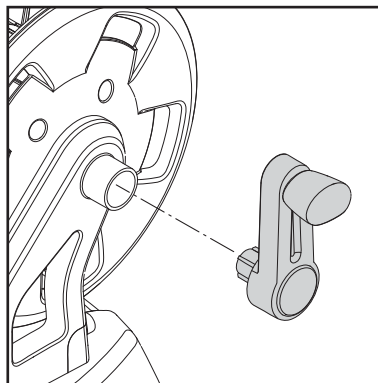
3.2 Mounting of hose hook (only models without hose reel)



Mount the hose hook (14) on the handle (2 screws).

Note: the hose hook can be mounted on the front as well as on the back. Front position is to be used if the product is used together with a special wall hook for wall storage.

3.3 Mounting of hose reel handle (only models with hose reel)



1. Click the hose reel handle on to the trolley handle (no screws).

DA

NO

SV

FI

EN

DE

FR

NL

IT

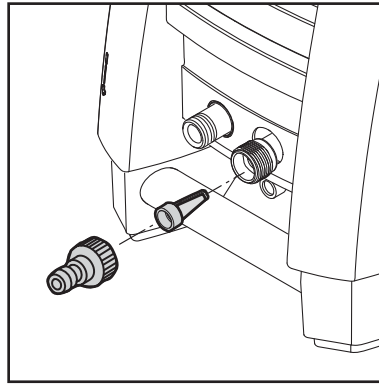
ES

PT

EL

- DA
- NO
- SV
- FI
- EN**

3.4 Mounting of quick coupling



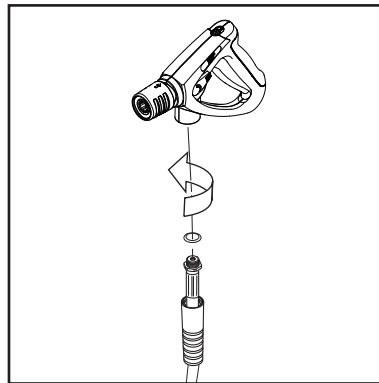
1. Screw the quick coupling tight on to the water inlet (2).
Note: The inlet filter must always be fitted in the water inlet pipe to filter out sand, limestone and other impurities as these will damage the pump valves.



Caution: Failure to fit the filter will invalidate the guarantee.

- DE
- FR
- NL
- IT
- ES
- PT
- EL

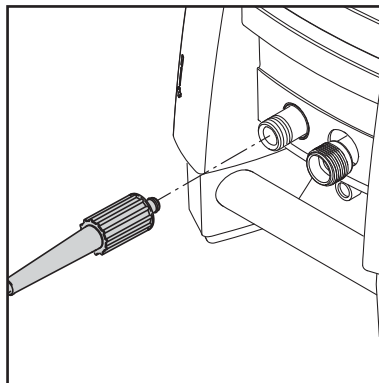
3.5 Mounting of high pressure hose



Attach the high pressure hose (4) to the spray handle (7).

4 Operating your pressure washer

4.1 Connection of high pressure hose

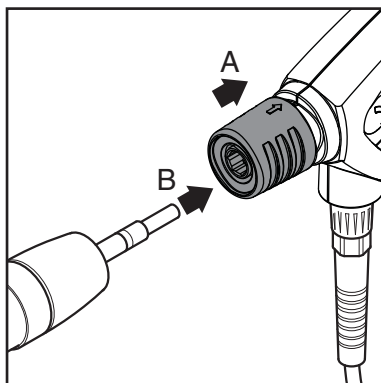


Machines without hose reel: Attach the high pressure hose (4) to the high pressure connection of the machine (3).

Only max. 7 m additional extension hose can be added.

Machines with hose reel: Unwind the high pressure hose completely.

4.2 Mounting of spray lance



1. Pull the blue quick-release grip (A) of the spray gun backwards.
2. Insert the nipple of the spray lance (B) into the quick-release connection and release it.
3. Pull the spray lance (or other accessory) forwards to check that it is securely attached to the spray gun.

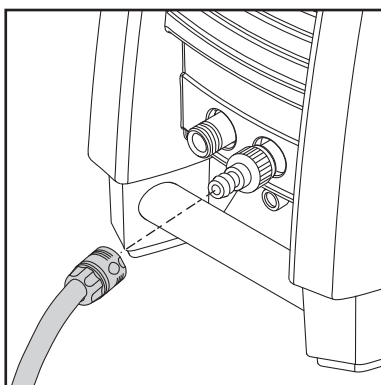


NOTE!

Always remove any dirt from the nipple before connecting the spray lance to the spray handle.

4.3 Water connection

An ordinary 1/2" garden hose of **min. 10 m** and **max. 25 m** will be suitable.



IMPORTANT! Only use water without any impurities. If there is a risk of silt, sand or sediment in the inlet water (i.e. from your own well), an additional filter should be mounted.

1. Let the water run through the water hose before connecting it to the machine to prevent sand and dirt from penetrating the machine.



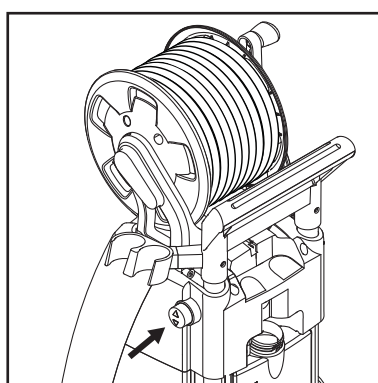
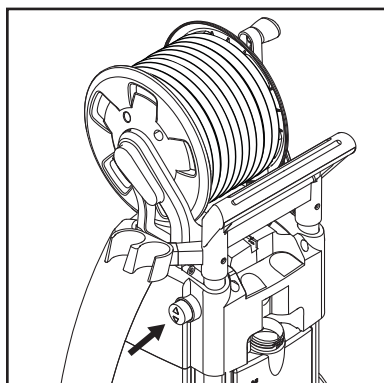
Note: Check that the filter is fitted in the water inlet pipe and that it is clean and free from debris.

2. Connect the water hose to the water supply by means of the quick connector (inlet water, max. pressure: 10 bar, max. temperature: 60°C).
3. Turn on the water.



NOTE: Connection to the public mains according to regulations.

4.4 Telescopic handle



The machine features a telescopic handle. To raise or lower the handle, press the button (16) and move the handle upwards or downwards. When a click is heard, the handle is in right position.

DA

NO

SV

FI

EN

DE

FR

NL

IT

ES

PT

EL

4.5 Start and stop of the machine (when connected to a water supply)



The spray lance is affected by a thrust during operation - therefore always hold it firmly with both hands. **IMPORTANT: Point the nozzle at the ground.**

1. Check that the machine is in upright position.
NOTE: Do not place the machine in tall grass!
2. Release the trigger lock.
3. Activate the trigger of the spray handle and let the water run until all air has escaped from the water hose.
4. Turn the start/stop switch (1) to position "I".
5. Activate the trigger of the spray handle.

Always adjust the distance and thus the pressure of the nozzle to the surface, which is to be cleaned.

Do not cover the machine during operation.



Note: If the machine is left or not used for 5 minutes, it must

be switched off on the start/stop switch "O" (1):

1. Turn the start/stop switch to position "O".
2. Disconnect the electrical plug from the socket.
3. Shut off the water supply and activate the trigger to relieve the machine of pressure.
4. Lock the spray handle.

When releasing the trigger of the spray handle, the machine automatically stops. The machine will start again when you re-activate the spray handle.

4.6 Start the machine (when connected to open containers (suction mode))

The washer can take in water from a rain water tank as an example. The hose for the water supply must not be too long, approx. 5 m.

Make sure that the water tank is not placed on a lower level than the machine.

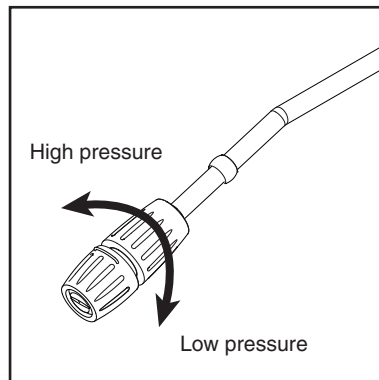
Use an external filter if the water contains impurities.

1. Make sure that the water hose is filled completely with water before connecting to the machine. Place the entire

hose in a tank or bucket. To avoid water spillage, crimp the water inlet hose down in the water and then connect the hose to the machine with the quick coupling and finally uncrimp the water inlet hose.

2. Dismount spray handle, lance and nozzle.
3. Turn the start/stop switch to position "I" and let the water run, until the air has escaped from the water hose and the pump.
4. Mount spray handle, lance and nozzle again.

4.7 Pressure regulation on the Flexopower Plus-spray lance

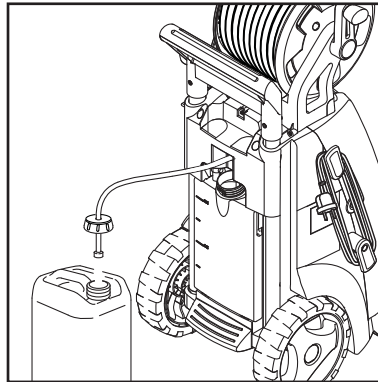


The pressure can be regulated on the Flexopower Plus spray lance.

4.8 Operation with detergents

Application of detergents is **NOT** possible if an extension hose is applied.

1. Fill the container with a detergent.
2. Mount the Flexopower Plus spray lance and adjust it to low pressure (see section 4.7).
3. Adjust the dosing regulator (12) to the required volume



4. Apply the detergent from below and upwards.
5. Let the detergent act for the time stated on the packing of the detergent and flush with pure water.

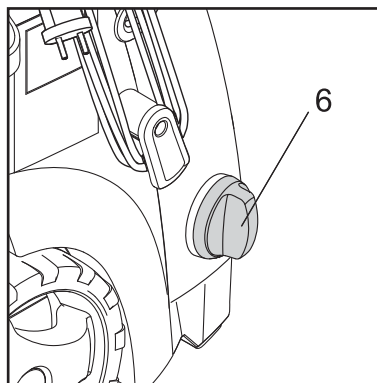
Separate detergent container

1. Remove the cover with suction hose from the detergent container.
2. Mount the cover with suction hose on the separate detergent container.

The cover has a standard thread and fits common detergent containers. If your container does not have a standard thread, detach the filter from the suction hose and remove the cover. Remount the filter in the suction hose.

Extra detergent hose can be pulled out of the machine.

4.9 Regulation of pressure / water volume



Working pressure and water volume can be regulated on the machine by turning the button for regulation of pressure / water volume (6).

DA

NO

SV

FI

EN

DE

FR

NL

IT

ES

PT

EL

DA

5 Fields of application and working methods

NO

SV

5.1 General

Efficient high pressure cleaning is achieved by following a few guidelines, combined with your own personal experience of specific cleaning tasks. Accessories and detergents, when correctly chosen, can increase the efficiency of your pressure washer. Here is some basic information about cleaning.

FI

EN

5.1.1 Detergent and foam

Foam or detergent should be applied onto dry surfaces so that the chemical product is in direct contact with the dirt. Detergents are applied from bottom to top, for example on a car bodywork, in order to avoid "super clean" areas, where the detergent collects in higher concentration and streams downwards. Let the detergent work for several minutes before rinsing but never let it dry on the surface being cleaned. **Note:** It is important that the detergents do not dry up. Otherwise the surface that has to be cleaned can be damaged.

DE

FR

NL

IT

5.1.2 Mechanical effect

In order to break down tough layers of dirt, additional mechanical effect may be required. Special wash brushes offer this supplementary effect that cuts through dirt (especially by car washing).

ES

PT

EL

6 After using your pressure washer

6.1 Storing the washer



The machine should be stored in a frost-free room!

Pump, hose and accessories should always be emptied of water prior to storing as follows:

1. Stop the machine (turn the start/stop switch (1) to position "O" and detach water hose and accessory).
2. Restart the machine and activate the trigger. Let the machine run until no more water runs through the spray handle.
3. Stop the machine and unplug. Wind the electric cable round the hooks placed on the side of the machine.
4. Separate spray handle and high pressure hose.

5. *Machines without hose reel:* Detach high pressure hose, coil it up and place it on the hose storage.

Machines with hose reel: Coil the high pressure hose up on the hose reel.

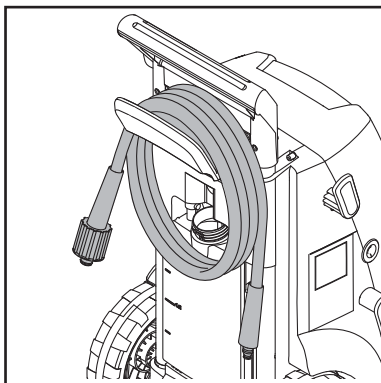
6. Place spray handle, nozzles and other accessories in the holders of the machine.

Should the machine by mistake be frozen, it will be necessary to check it for damage.

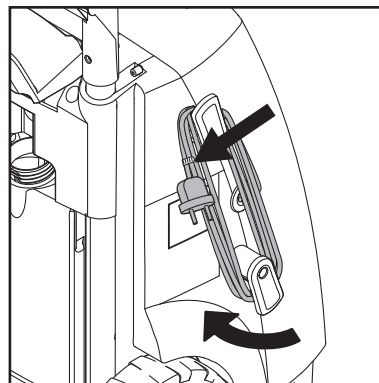
NEVER START-UP A FROZEN MACHINE.

Frost damages are not covered by the guarantee!

6.2 Winding up of electric cable and high pressure hose



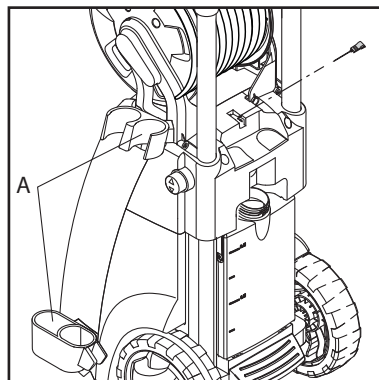
To avoid accidents, the electric cable and the high pressure hose should always be wound



up carefully.

1. Wind up the electric cable on the appropriate hooks. Built-in clip for good holding. The lower hook can be turned to release the electric cable.
2. The high pressure washer comes in two models: A) with hook for storage of high pressure hose (14) - B) with a hose reel (13).

6.3 Storage of accessories



The standard accessories (spray handle, spray lance (A) and nozzle cleaning tool) can be stored on the pressure washer.

DA

7 Maintenance

NO

SV

FI

EN

DE

FR

NL

IT

ES

PT

EL



WARNING! Always disconnect the electrical plug from the socket prior to maintenance or cleaning.

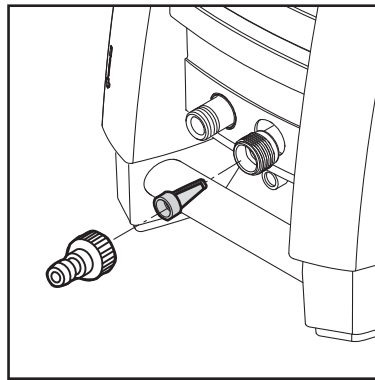
To ensure a long and problem free working life, please take the following advice:

- Wash off water hose, high pressure hose, spray lance and accessories before mounting.

- Clean the connectors of dust and sand.
- Clean the nozzles.

Any repair should always be made in an authorized workshop with original spare parts.

7.1 Cleaning of water inlet filter

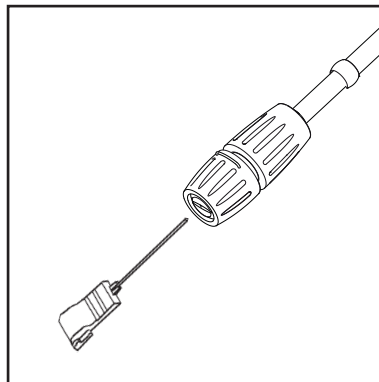


Clean the water inlet filter regularly once a month or more frequently according to use. Carefully loosen the filter with a pair of pliers and clean it. Check that it is intact before re-mounting it.

The inlet filter must always be fitted inside the water inlet pipe to filter out sand, limestone and other impurities, as they will damage the pump valves.

CAUTION: Failure to fit the filter will invalidate the guarantee.

7.2 Cleaning of nozzle



A clogging up in the nozzle causes a pump pressure which is too high. This is why cleaning is required immediately.

1. Stop the machine and disconnect the nozzle.
2. Clean the nozzle. **IMPORTANT:** The cleaning tool (11) should only be used when the nozzle is detached!
3. Flush the nozzle backwards with water.

7.3 Cleaning of machine vents

The machine should be kept clean so as to let cooling air

pass freely through the machine vents.

7.4 Greasing of couplings

To ensure easy connection and that o-rings do not dry up, the

couplings should be greased regularly.

8 Trouble-shooting

Please ensure that you check the following before contacting the Nilfisk-ALTO service organization:

Symptom	Cause	Recommended action
Machine refuses to start	Machine not plugged in Defective socket Fuse has blown Defective extension cable	Plug in machine. Try another socket. Replace fuse. Switch off other machines. Try without the extension cable.
Fluctuating pressure	Pump sucking air Valves dirty, worn out or stuck Pump seals worn out	Check that hoses and connections are air-tight. Clean and replace or refer to local Nilfisk-ALTO distributor Clean and replace or refer to local Nilfisk-ALTO distributor.
Motor busses	Low voltage or low temperature	Activate the trigger of the spray handle.
Machine stops	Fuse has blown Incorrect mains voltage Thermal sensor activated Nozzle partially blocked	Replace fuse. Switch off other machines. Check that the mains voltage corresponds to specification on the model tag. Leave the washer for 5 minutes to cool down. Clean the nozzle (see section 7.2)
Fuse blows	Fuse too small	Change to an installation higher than the amp. consumption of the machine. You may try without the extension cable.
Machine pulsating	Air in inlet hose/pump Inadequate supply of mains water Nozzle partially blocked Water filter blocked Hose kinked	Allow machine to run with open trigger until regular working pressure resumes. Check that the water supply corresponds to specifications required (see model tag) NB! Avoid using long, thin hoses (min. 1/2") Clean the nozzle (see section 7.2) Clean the filter (see section 7.1) Straighten out hose.
Machine often starts and stops by itself	Spray handle is leaking	Contact your nearest Nilfisk-ALTO Service Centre. Replace seat/ball/O-ring in the valve of the spray handle.
Machine starts, but no water comes out	Pump/hoses or accessory frozen No water supply Water filter blocked Nozzle blocked	Wait for pump/hoses or accessory to thaw. Connect inlet water. Clean the filter (see section 7.1) Clean the nozzle (see section 7.2)
Pump pressure drops	Button for regulation of pressure / water volume not correctly adjusted	Adjust the button to correct working pressure.

In case problems other than the above occur, please contact your local Nilfisk-ALTO distributor.

UK:
Customer Services at Penrith - 01768 868995



DA

9 Further information

NO

SV

9.1 Recycling the washer

Make the old cleaner unusable immediately.

tive 2002/96/EC on old electrical and electronic appliances, used electrical goods must be collected separately and recycled ecologically.

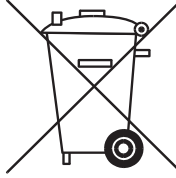
FI

1. Unplug the cleaner and cut the electric cable.

Do not discard electrical appliances with household waste.

Contact your local authorities or your nearest dealer for further information.

EN



As specified in European Direc-

DE

FR

9.2 Warranty conditions

Nilfisk-ALTO guarantees this high pressure washer for 1 year. If your high pressure washer or accessories are handed in for repair, a copy of the receipt must be enclosed.

Repairs under this guarantee include replacement of defective parts, exclusive of packing and postage/carriage. Besides, we refer to your national law of sale.

Guarantee repairs are being made on the following conditions:

- that defects are attributable to flaws or defects in materials or workmanship. (wear and tear as well as misuse are not covered by the guarantee).
- that the directions of this instruction manual have been thoroughly observed.
- that repair has not been carried out or attempted by other than Nilfisk-ALTO-trained service staff.
- that only original accessories have been applied.
- that the product has not been exposed to abuse such as knocks, bumps or frost.
- that only water without any impurities has been used.
- that the high pressure washer has not been used for rental nor used commercially in any other way.

The machine should be forwarded to one of the service centres of the Nilfisk-ALTO organisation with description/specification of the fault.

Repairs not covered by the guarantee conditions will be invoiced. (I.e. malfunctions due to **Causes** mentioned in section **Troubleshooting Chart** of the instruction manual).

NL

IT

ES


PT

EL

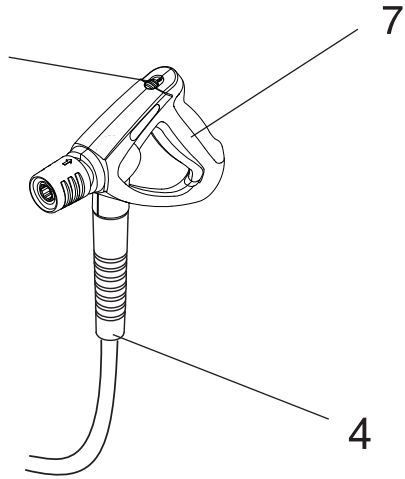
10 Main Technical Data

Type		Poseidon 2-17	Poseidon 2-20	Poseidon 2-22 XT	Poseidon 2-25 XT	Poseidon 2-29	Poseidon 2-29 XT
Rated pressure	bar/MPa	100	69/6.9	120/12	140/14	150/15	150/15
Permissible pressure	bar/MPa	74/7.4	76/7.6	130/13	150/15	160/16	160/16
Water flow, low pressure	l/min	9	2.4	8.7	10.2	10	10
Water flow, high pressure	l/min.	8.7	2.1	7.8	9	9.5	9.5
Rated input	kW	1.3	1.7	2.3	2.9	3.3	3.3
Rated voltage	V	120	120	230	230	230	230
Max. water temperature	°C	60	60	60	60	60	60
Inlet pressure	bar/MPa	10/1.0	10/1.0	10/1.0	10/1.0	10/1.0	10/1.0
Sound pressure level	dB(A)	89.1	77,4	76.1	77.4	73.5	79.7
Guaranteed sound power level	dB(A)	91	92	91	92	88	94
Vibration according to ISO 5349-1	m/s ²	< 2.5	< 2.5	< 2.5	< 2.5	< 2.5	< 2.5
Weight	kg	27.1	28.1	28.1	27.1	26.3	28.1

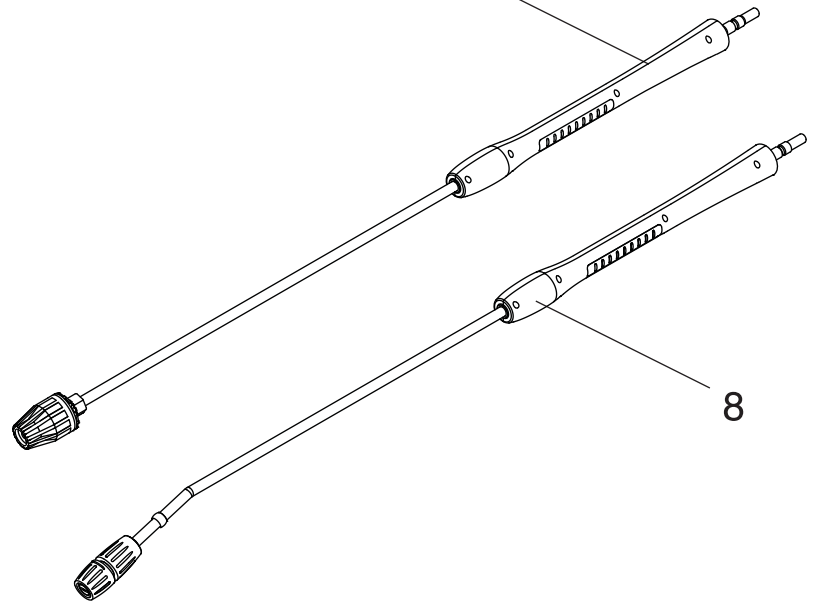
11 EU Declaration of Conformity

CE		EU Declaration of Conformity	
Product:	High Pressure Washer		
Type:	Nilfisk-ALTO Poseidon 2-17 Nilfisk-ALTO Poseidon 2-20, 2-29 Nilfisk-ALTO Poseidon 2-22 XT, 2-25 XT, 2-29 XT		
Description:	120 V, 230 V, 1~, 50 Hz - IP X5		
The design of the unit corresponds to the following pertinent regulations:	EC Machine Directive	2006/42/EC	
	EC Low-voltage Directive	2006/95/EC	
	EC EMV Directive	2004/108/EC	
Applied harmonised standards:	EN ISO 12100-1 (2004), EN ISO 12100-2 (2004) EN 60335-2-79 (2006) EN 55014-1 (2006), EN 55014-2 (2001), EN 61000-3-2 (2006)		
Applied national standards and technical specifications:	BS EN 60335-2-79		
	Nilfisk-ALTO Division of Nilfisk-Advance A/S Industrivej 1 DK-9560 Hadsund		
Anton Sørensen General Manager, Technical Operations EAPC	Hadsund, 01.10.2010		

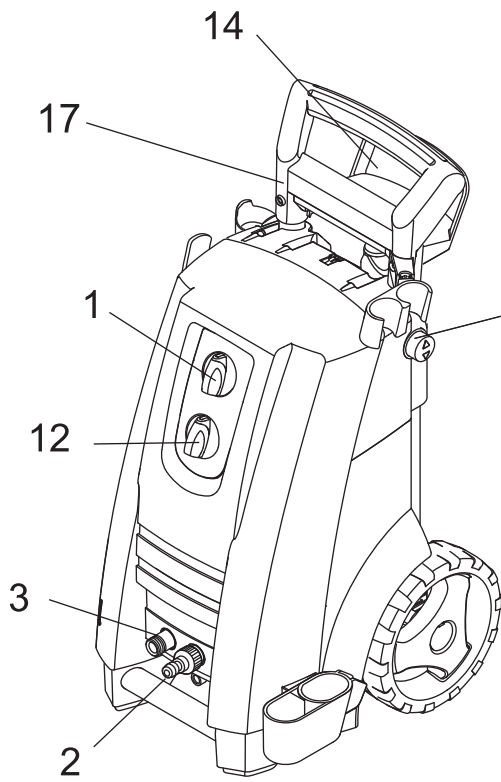
7a



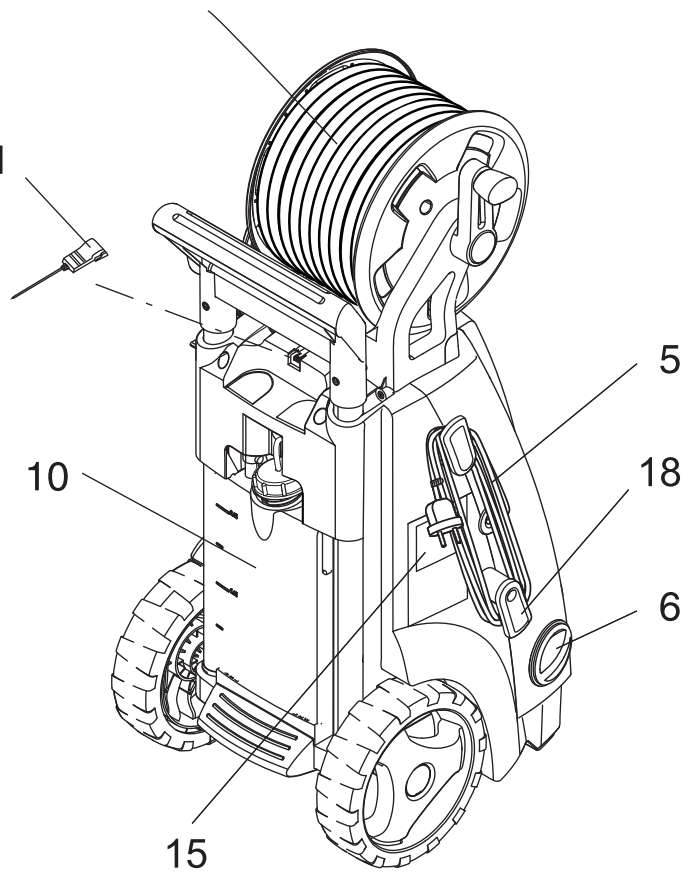
9



13



11



Nilfisk ALTO

works for you

HEAD QUARTER

DENMARK

Nilfisk-Advance A/S
Sognevej 25
DK-2605 Brøndby
Tel.: (+45) 4323 8100
www.nilfisk-advance.com

SALES COMPANIES

ARGENTINA

Nilfisk-Advance srl.
Herrera 1855, 6 floor, Of. A-604
ZC 1293 – Ciudad Autónoma
de Buenos Aires – Argentina
www.nilfisk-alto.com

AUSTRALIA

Nilfisk-ALTO
Unit 1, 13 Bessemer Street Blacktown
NSW 2148 Australia
www.nilfisk-alto.com.au

AUSTRIA

Nilfisk-ALTO
Geschäftsbereich der Nilfisk-Advance GmbH
Metzgerstraße 68
A-5101 Bergheim/Salzburg
www.nilfisk-alto.at

BELGIUM

Nilfisk-Advance NV/SA
Riverside Business Park
Boulevard Internationalelaan 55
Bâtiment C3/C4 Gebouw
Bruxelles 1070 Brussel
www.nilfisk.be

CHILE

Nilfisk-Advance S.A.
San Alfonso 1462, Santiago
www.nilfisk.com

CHINA

Nilfisk-Advance Cleaning Equipment
(Shanghai) Co Ltd.
No. 4189, Yindu Road
Xinzhuang Industrial Park
Shanghai, P.R.C, 201108
www.nilfisk.cn

CZECH REPUBLIC

Nilfisk-Advance s.r.o.
Do Certous 1
VGP Park Horní Pocernece, Budova H2
CZ-190 00 Praha 9
www.nilfisk.cz

DENMARK

Nilfisk-ALTO Danmark
Industrivej 1
Hadsund, DK-9560
www.nilfisk-alto.dk

FINLAND

Nilfisk-Advance OY Ab
Koskelontie 23E
Espoo, FI-02920
www.nilfisk.fi

FRANCE

Nilfisk-Advance SAS
Division ALTO
BP 246
91944 Courtaboeuf Cedex
www.alto-fr.com

GERMANY

Nilfisk-ALTO
Geschäftsbereich der Nilfisk-Advance AG

Guido-Oberdorfer-Straße 10
89287 Bellenberg
www.nilfisk-alto.de

GREECE

Nilfisk-Advance A.E.
8, Thoukididou Str.
Argiroupoli, Athens, GR-164 52
www.nilfisk.gr

HOLLAND

Nilfisk-Advance B.V.
Versterkerstraat 5
1322 AN ALMERE
www.nilfisk.nl

HONG KONG

Nilfisk-Advance Ltd.
2001 HK Worsted Mills Ind'l Bldg.
31-39 Wo Tong Tsui St.
Hong Kong, Kwai Chung, N.T.
www.nilfisk.com

HUNGARY

Nilfisk-Advance Kereskedelmi Kft.
H-2310 Szigetszentmiklós-Lakihegy
II. Rákóczi Ferenc út 10.
www.nilfisk.hu

INDIA

Nilfisk-Advance India Limited
Pramukh Plaza, 'B' Wing, 4th floor, Unit No.
403
Cardinal Gracious Road, Chakala
Andheri (East), Mumbai 400 099
www.nilfisk.com

IRELAND

Nilfisk-Advance
1 Stokes Place
St. Stephen's Green
Dublin 2, Ireland
www.nilfisk-alto.ie

ITALY

Nilfisk-Advance S.p.A.
Strada Comunale Della Braglia, 18
Guardamiglio, Lombardia, I-26862
www.nilfisk.it

JAPAN

Nilfisk-Advance Inc.
1-6-6 Kita-Shinyokohama
Kouhoku-Ku
Yokohama 223-0059
www.nilfisk-advance.co.jp

KOREA

Nilfisk-Advance Korea
471-4, Kumwon B/D 2F,
Gunja-Dong, Gwangjin-Gu, Seoul
www.nilfisk-advance.kr

MALAYSIA

Nilfisk-Advance Sdn Bhd
SD 33, Jalan KIP 10
Taman Perindustrian KIP
Sri Damansara
52200 Kuala Lumpur
Malaysia
www.nilfisk.com

MEXICO

Nilfisk Advance de Mexico S. de R.L. de C.V.
Agustin M. Chavez 1, PB-004
Col. Centro Ciudad Santa Fe
C.P. 01210 México, D.F.
www.nilfisk-advance.com.mx

NEW ZEALAND

Nilfisk-Advance NZ Ltd
Danish House
6 Rockridge Avenue
Penrose Auckland NZ 1135
www.nilfisk.com.au

NORWAY

Nilfisk-Advance AS
Bjørnerudvejen 24
Oslo, N-1266
www.nilfisk-alto.no

POLAND

Nilfisk-Advance Sp. z o.o
Millenium Logistic Park
ul. 3-go Maja 8, Bud. B4
Pruszków, PL-05-800
www.nilfisk-alto.pl

PORTUGAL

Nilfisk-Advance, Lda.
Sintra Business Park
Zona Industrial Da Abrunheira
Edificio 1, 1o A
Sintra, P-2710-089
www.nilfisk.pt

RUSSIA

Nilfisk-Advance LLC
Vyatskaya str. 27, bld. 7, 1st floor
Moscow, 127015
www.nilfisk.ru

SINGAPORE

Nilfisk-Advance Pte Ltd
22 Tuas Avenue 2
Singapore 639453
www.nilfisk.com

SPAIN

Nilfisk-Advance, S.A.
Torre D'Ara
Passeig del Rengle, 5 Plta.10ª
Mataró, E-0830222
www.nilfisk.es

SWEDEN

Nilfisk-ALTO
Aminogatan 18
Möln dal, S-431 53
www.nilfisk-alto.se

SWITZERLAND

NA Sondergger AG
Nilfisk-ALTO Generalvertretung
Mühlestrasse 10
CH-9100 Herisau
www.nilfisk-alto.ch

TAIWAN

Nilfisk-Advance Ltd.
Taiwan Branch (H.K.)
No. 5, Wan Fang Road, Taipei
www.nilfisk-advance.com.tw

THAILAND

Nilfisk-Advance Co. Ltd.
89 Soi Chokechai-Ruammitr
Viphavadee-Rangsit Road
Jomphol, Jatuchak
Bangkok 10900
www.nilfisk.com

TURKEY

Nilfisk-Advance A.S.
Serifali Mh. Bayraktar Bulv. Sehit Sk. No:7
Ümraniye, Istanbul 34775
www.nilfisk.com.tr

UNITED KINGDOM

Nilfisk-ALTO
Bowerbank Way, Gilwilly Industrial Estate
Penrith, Cumbria
GB-CA11 9BQ
www.nilfisk-alto.co.uk

UNITED ARAB EMIRATES

Nilfisk-Advance Middle East Branch
SAIF-Zone, P. O. Box 122298
Sharjah
www.nilfisk.com

USA

Nilfisk-Advance
14600 21st Ave. North
Plymouth MN 55447-3408
www.nilfisk-alto.us

VIETNAM

Nilfisk-Advance Co., Ltd.
No.51 Doc Ngu Str. Lieu Giai Ward
Ba Dinh Dist. Hanoi
www.nilfisk.com