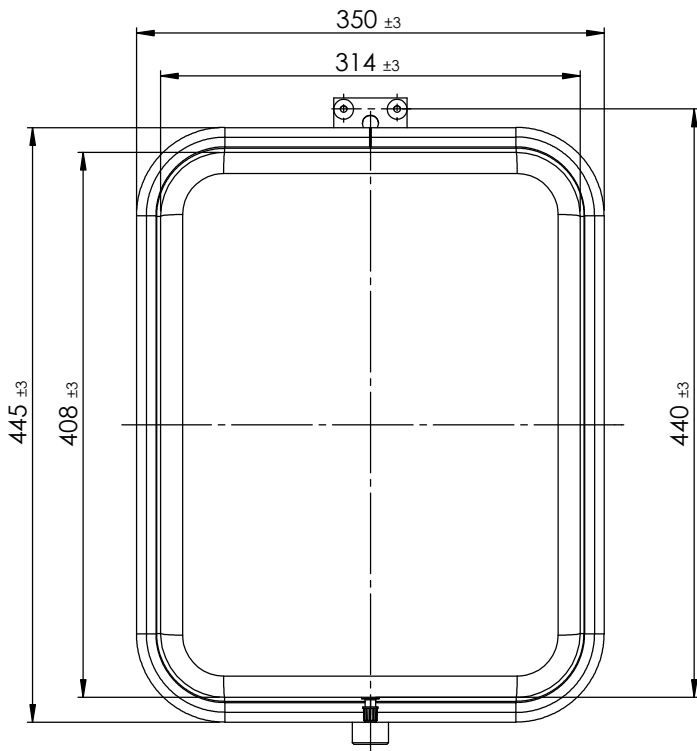
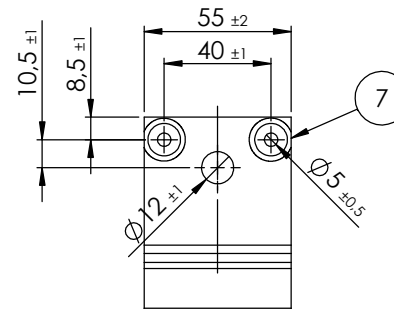


Max operating pressure: 3,5 bar  
 Max operating temperature: 90°C  
 Factory precharge\*: 1 +/-20%bar  
 Nominal volume: 18 - 24 litres  
 Colour: SILVER




CODE	CAPACITY	H (mm)	W (mm)	C (mm)	Ø
13Q2001801	18L	158	79	34	3/4"G
13Q2002402	24L	178	88	40	3/4"G

The dimensions are in mm



**DRAWING FOR APPROVAL**  
 PLEASE RETURN THIS DRAWING WITH YOUR COMPANY STAMP, SIGNATURE AND DATE. AFTER YOUR APPROVAL WE WILL BE PROCEEDING WITH SUPPLIES AND PRODUCTION.

1	UPPER HEAD	1
2	DOWNER HEAD	1
3	MEMBRANE	1
4	PRECHARGE VALVE	1
5	THREADED NOZZLE	1
6	SELF-ADHESIVE LABEL	1
7	BRACKET	1
Pos.	Denomination	Q.ty

Rev.	Descrizione		Data
06	Redesigned with s.w.		20/11/2012
07	Label on air side ( was on water side )		12/12/2013
 <b>Zilmet S.p.a.</b> Via del Santo,242 35010 Limena (PD)-ITALY Tel. +39 049 7664901 Fax +39 049 767321 www.zilmet.com zilmet@zilmet.it		DRAWING N° <b>P637/L</b>	SCALE <b>1:4</b>
*Tolerance variation bigger/lower than 20% do not compromise the expansion vessel functioning			
DENOMINATION <b>EXPANSION VESSEL            18L - 24L</b>		DRAWN GIBIN G.	DATE 12/12/2013
		CHECKED BERTOLIN R.	DATE 12/12/2013
		APPROVED S.ri BENETTOLO	DATE 12/12/2013
		MATERIAL -	
		CODE <b>SEE TABLE</b>	
		Dimensions in mm	
		This drawing is the property of company Zilmet S.p.a. All rights reserved.	
		<b>A3</b>	