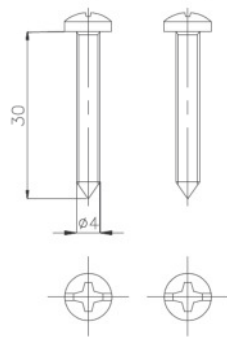


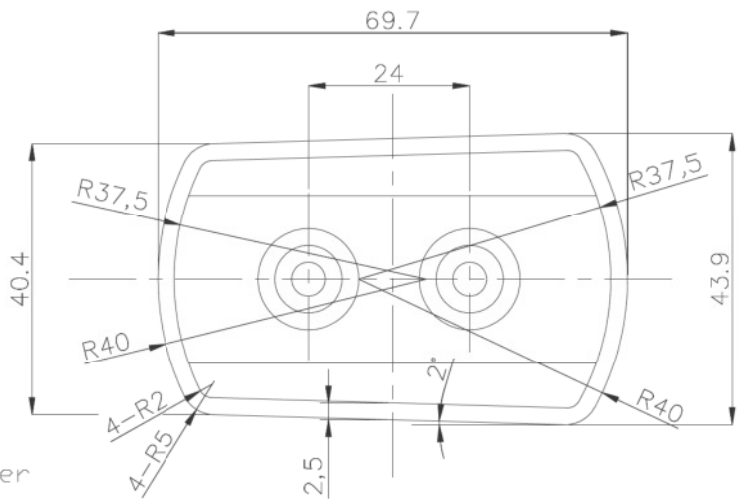
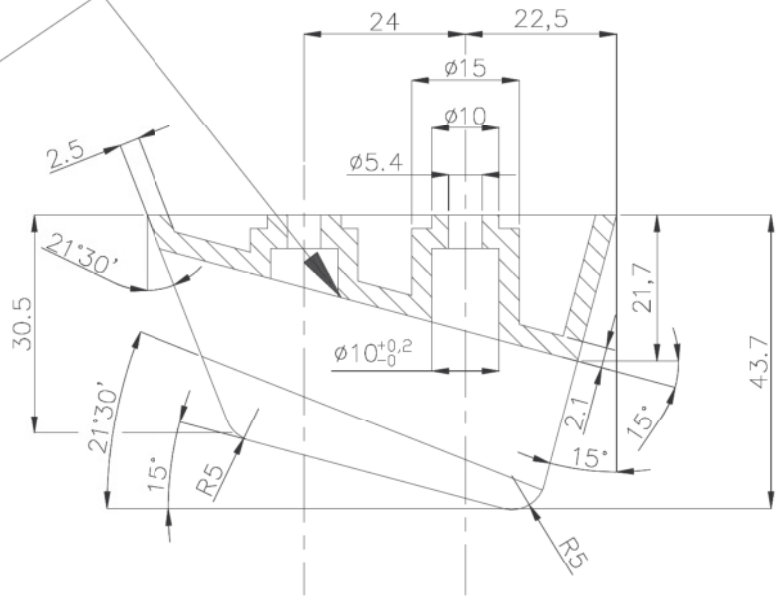
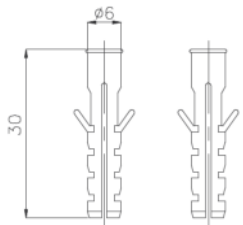
ATTENTION:

This area has NOT to show any imperfections in the chromium plate. The piece must be COMPLETELY chrome plated.

N-2 screws $\phi 4 \times 30$
Stainless steel



N-2 Plugs $\phi 6$



Packaging note:

-Parts need to be packed, one by one, together with the kit of screws and plugs.

-Cartons have to contain a number of 200 pieces.