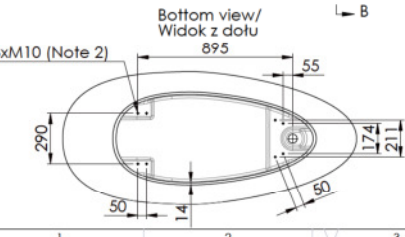
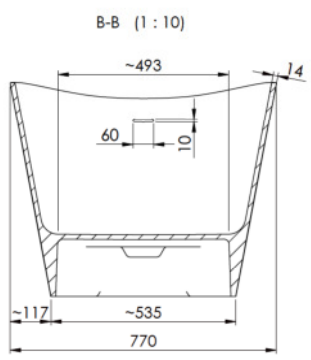
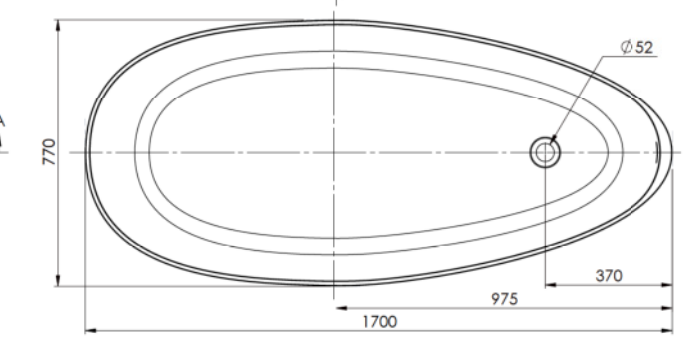
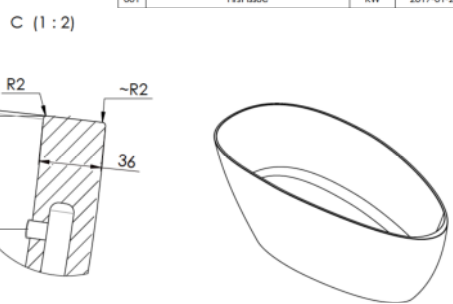
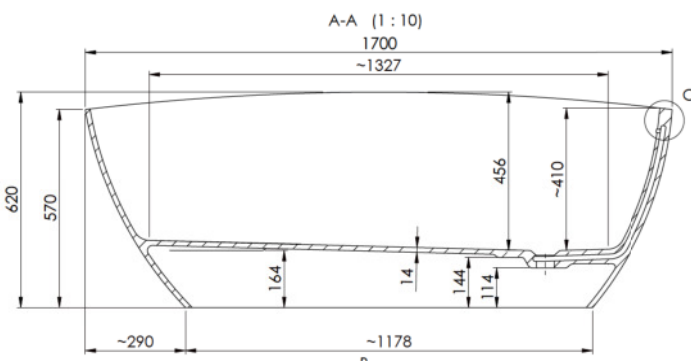


This document must not be copied without our written permission, and the contents thereof must not be imparted to third parties without our prior written consent.

Rev	Design Change Note	Author	Date
001	First Issue	KW	2017-01-24



- Uwagi/Note:**
1. Water volume (full bathtub) 330 l / objętość wody (pełna wanna) 330 l
 2. M10 steel bearings/M10 metalowe kołki
 3. Water volume to overflow 255 l / objętość wody do przelewu 255l

Tolerance length/width/height	+10/-10 mm	Drawn by	Zbigniew P	Created Date	2014-10-29	Checked by	Krzysztof N	Art. Name:	RITA XL 1700 INT	Model No:	FI190171
Tol. plane bending	≤800 mm >800 mm	+1,5/-1,5 mm +3/-3 mm	Project status	Client	Approved	WS WEINMANN	Art. No:	6235421711xx	Customer ID:	3603	
Tolerance holes location	+3/-3 mm	Material volume (mm³)	51317190	Overflow	Integ.	0	Main dimensions (L x W x H) (mm)	1700 x 770 / 620	Dean	Regular	
Tolerance wall thickness	+1/-1 mm	Tolerance assignment	S630265	Sheet Size	A3	Scale	1:10	Current version	001		
Tolerance feet location	+5/-5 mm										