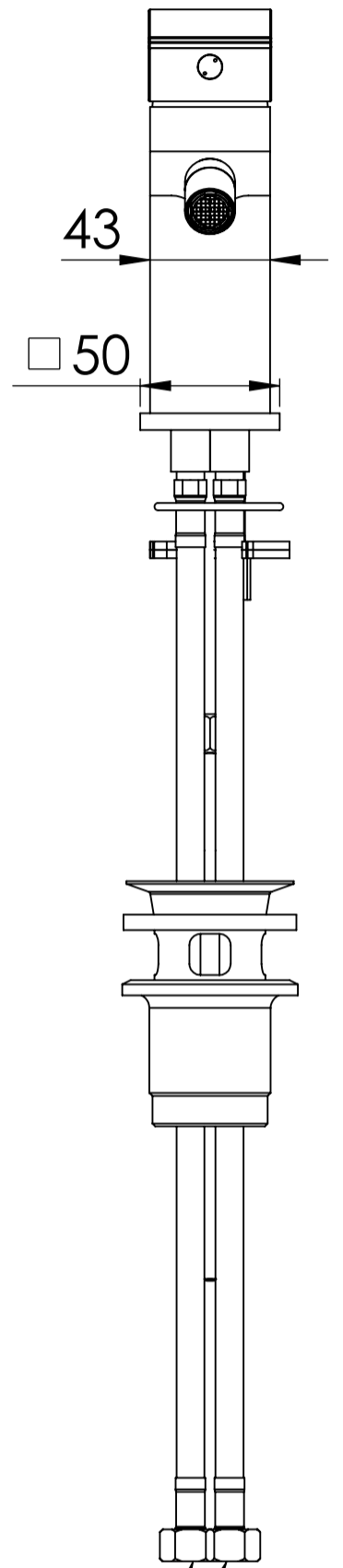
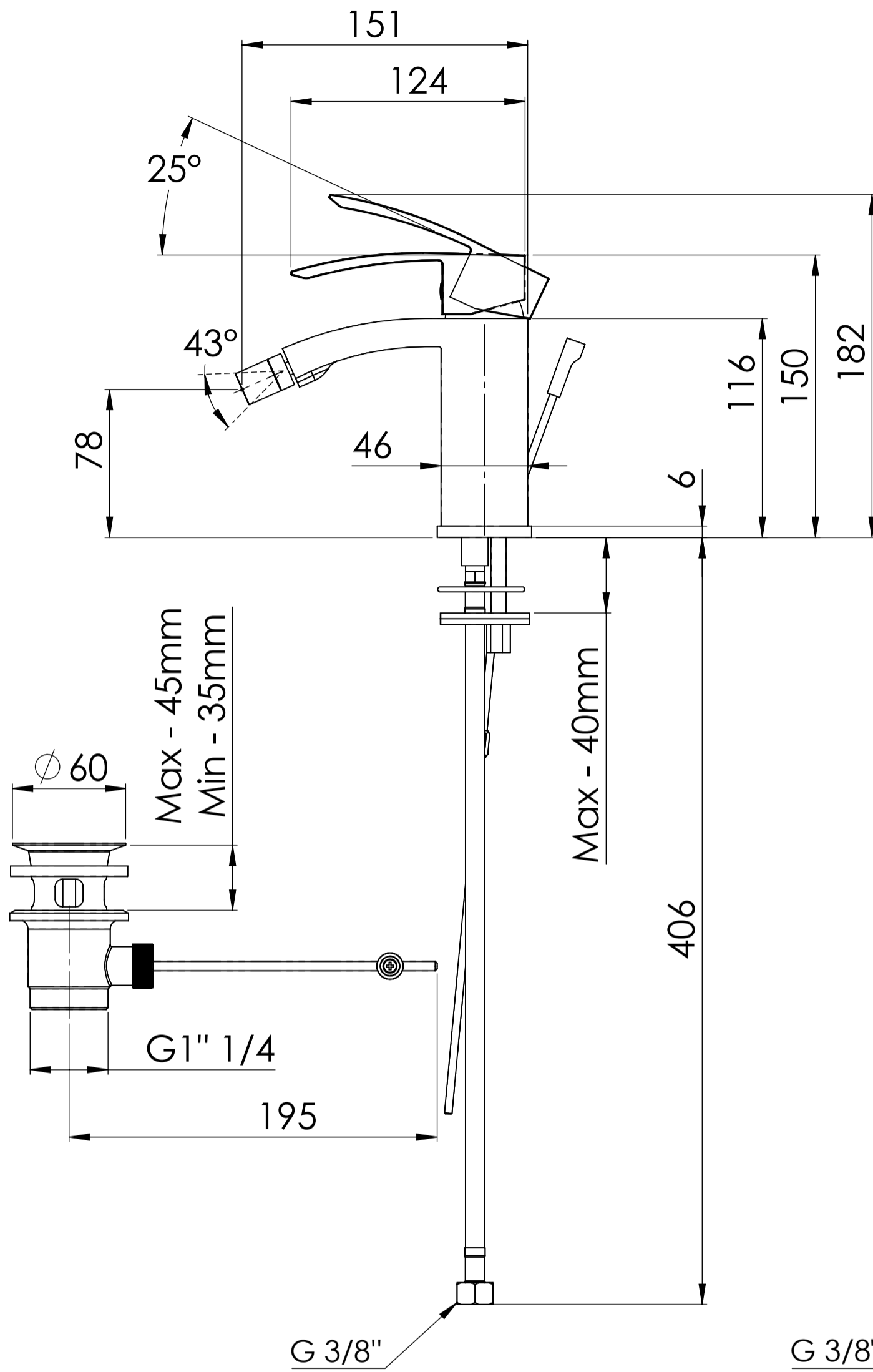


Num. articolo	cod. REMER	cod. DANIEL
1	MAM605BA	MAM605BA
2	R52	A825
3	FISMAM605	FISMAM605
4	0200371842	MAM630
5	TAMA	5630BOCR
6	10838F40DVGW	A9704010DVGW
7	85S20	A805CP
8	0200830120	MAM605AS
9	SPOM	SPOM
10	95L80	95L80

Data: 07-06-2024

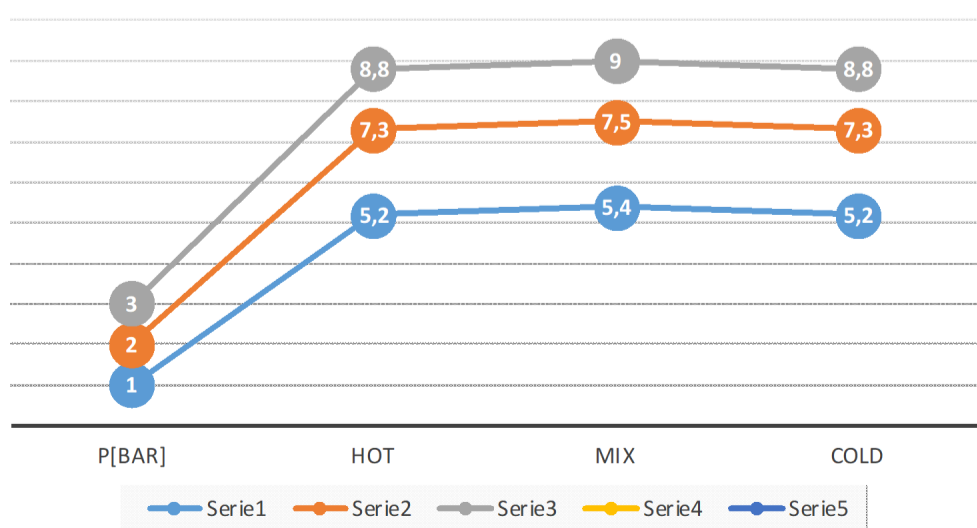
Cod. : **93 068 86**

Apice  
A



G 3/8" Hot water inlet  
G 3/8" Cold water inlet

**FLOW RATE [L/MIN]**



Data: 28-05-2024

Cod. 93 068 86

Apice  
A