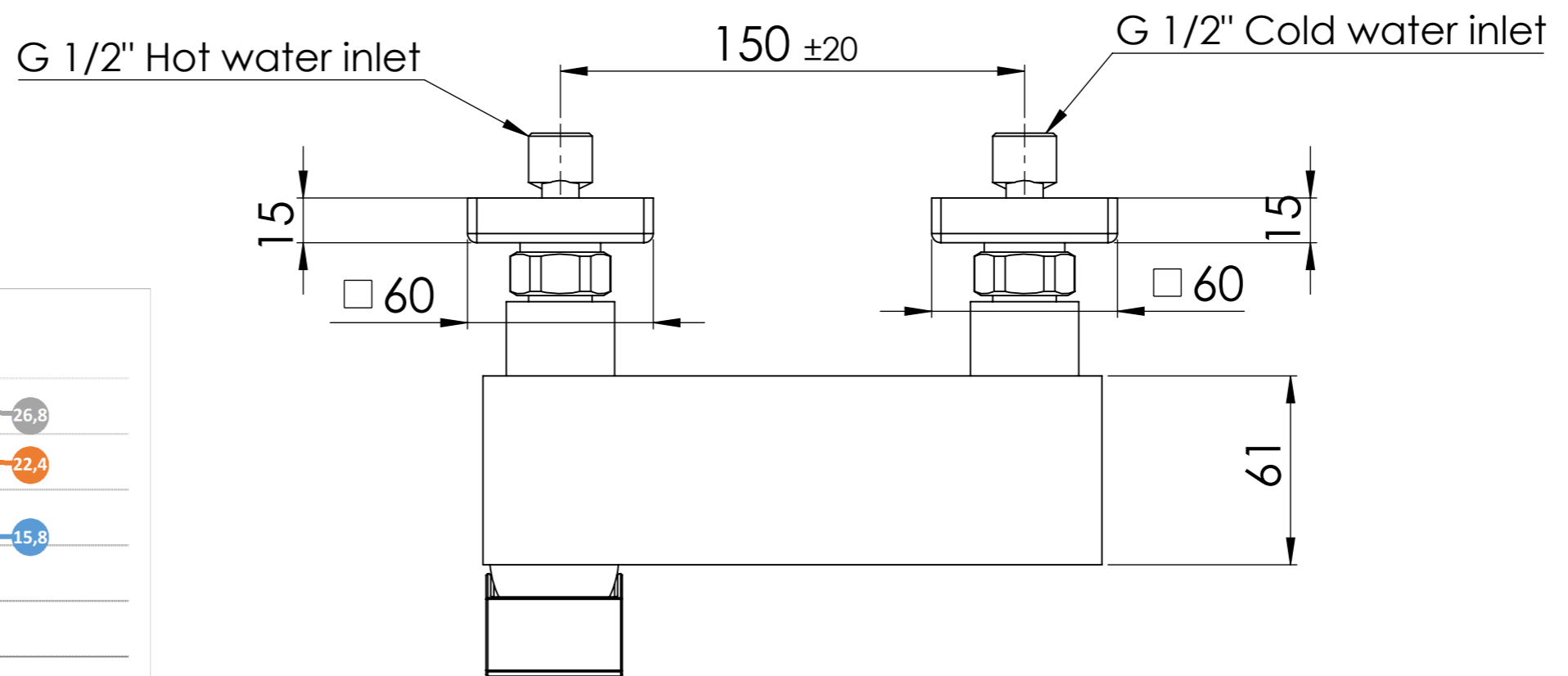
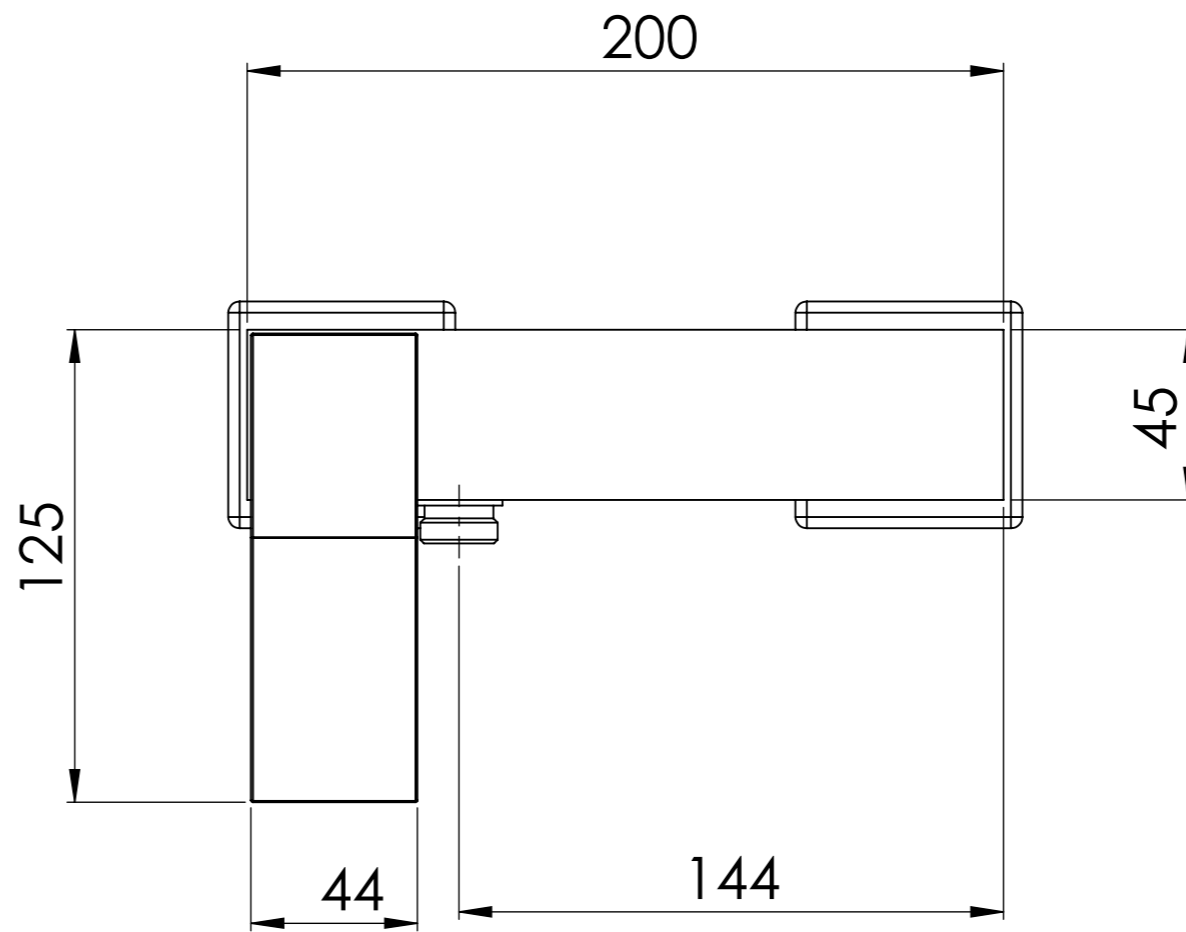
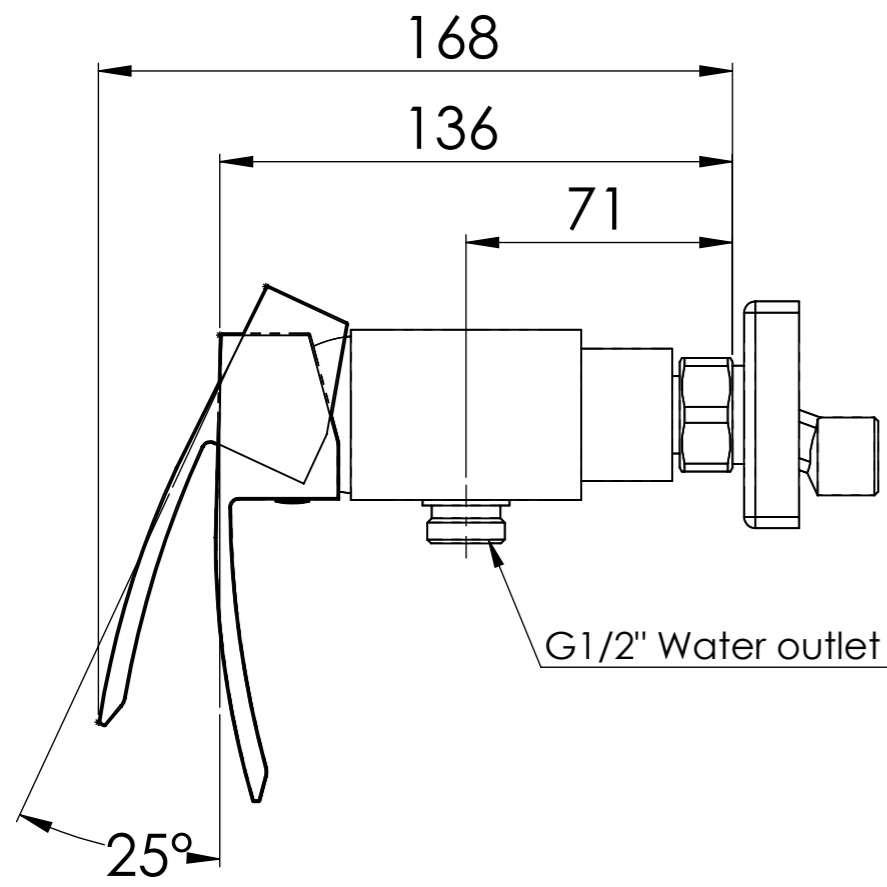


Num. articolo	cod. REMER	cod. DANIEL
1	R50	A820
2	0200371842	MAM630
3	TAMA	5630BOCR
4	89S	89S

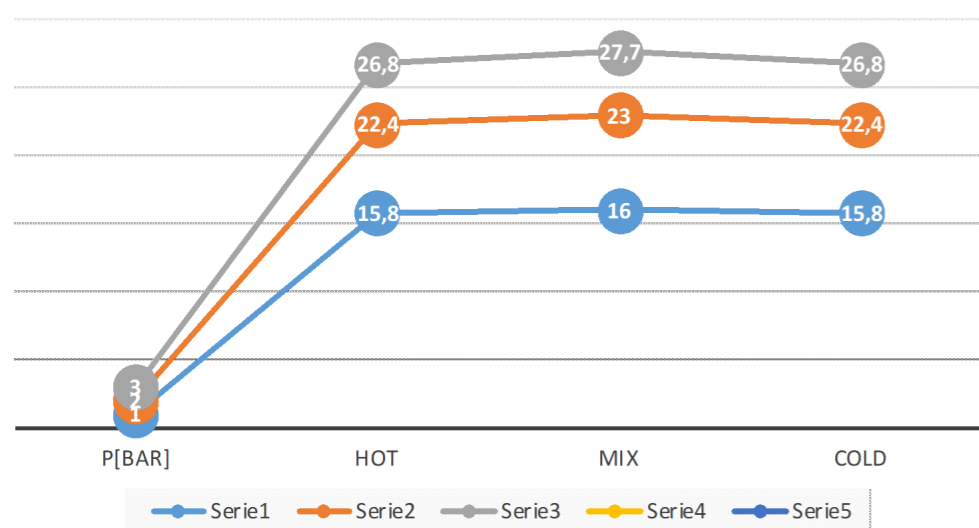
Data: 10/06/2024

Cod. **93 068 91**

Apice  
A



**FLOW RATE [L/MIN]**



Data: 10/06/2024  
Cod.: **93 068 91** A