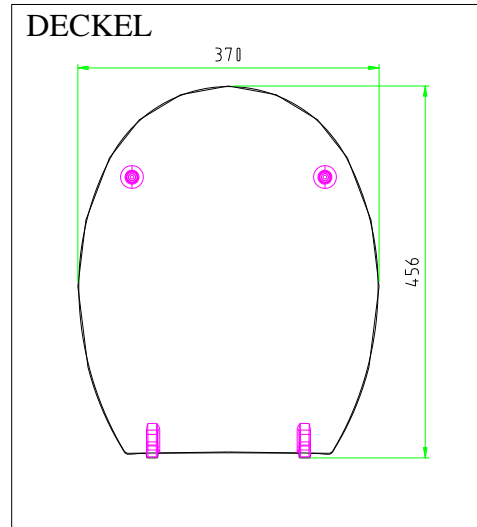
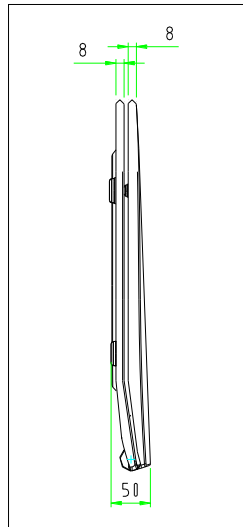
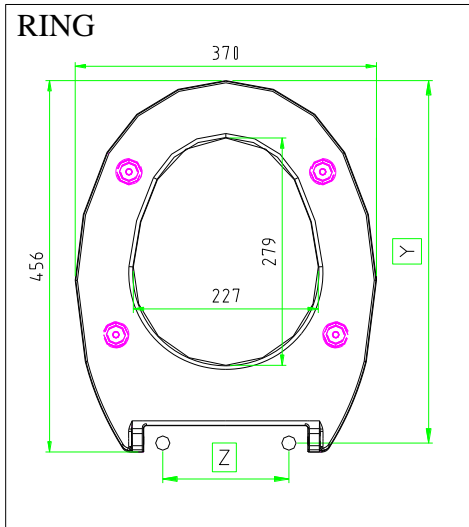


# WC-SITZ JAGUARI



Art. 93.158.07

Material : Duroplast

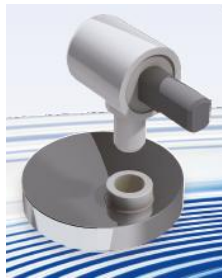


VERSTELLBAR

Y 41.5 ÷ 47.5

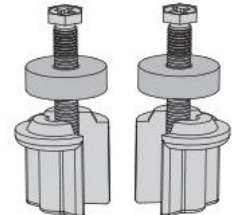
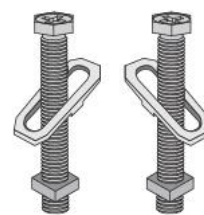
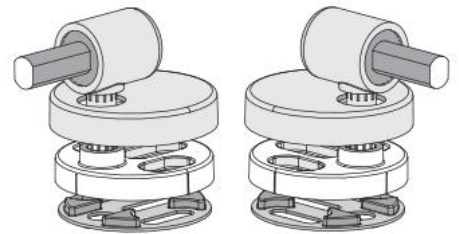
Z 9.5 ÷ 21.5

## Pufferset



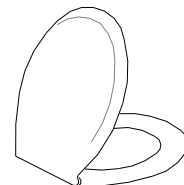
New

## Scharnier

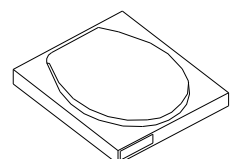


A

B



2,100 kg



2,300 kg