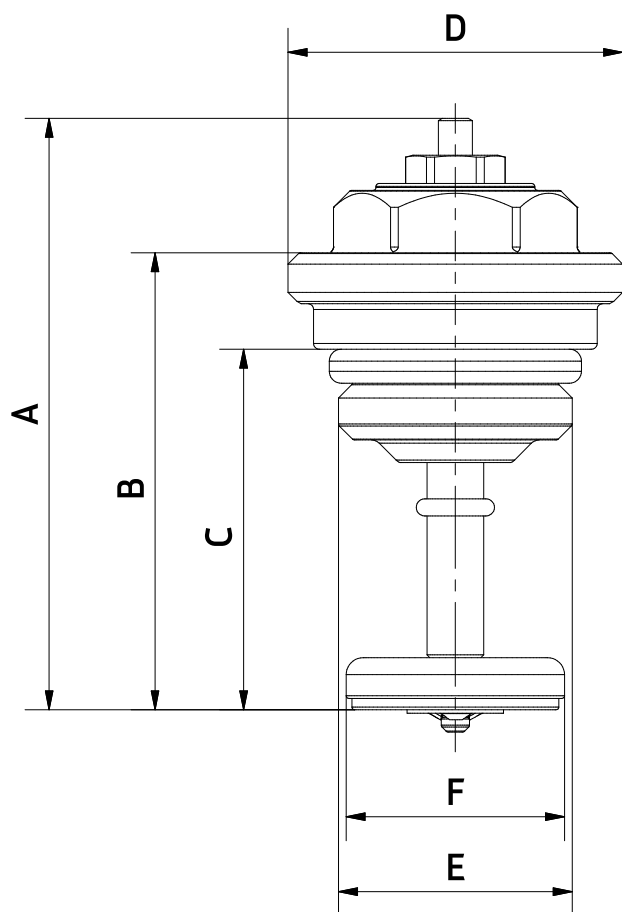
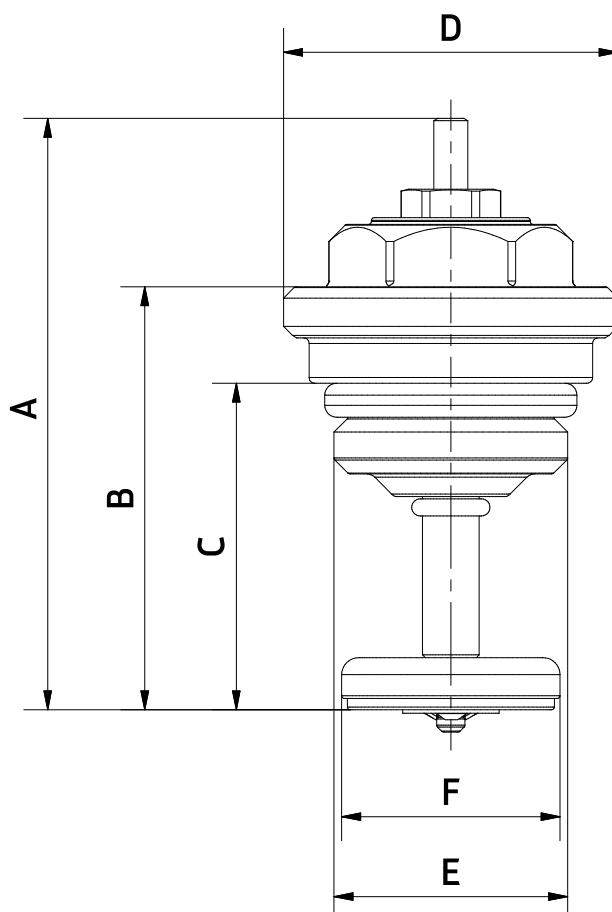


## ■ VTC 45



CHIUSO



APERTO

Art.	Cod.	X	A	B	C	D	E	F
VTC 45	500458	CHIUSO	52.15	40.3	31.8	M30x1.5	G1/2	19.25
VTC 45	500458	APERTO	52.15	37.3	28.8	M30x1.5	G1/2	19.25