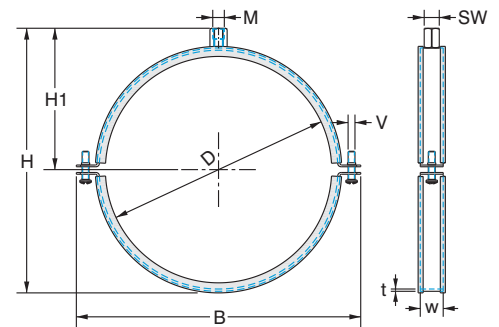
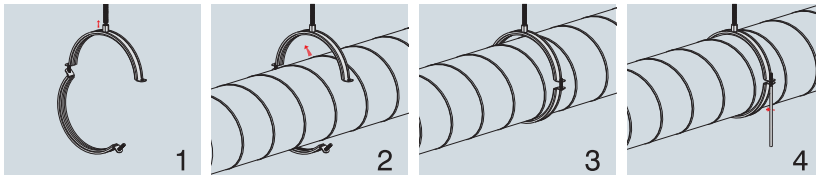


Advantages / Benefits

- Manufactured for securing folded spiral-seam pipes conforming to
- DIN24145/EN1506 in ventilation, air conditioning and process technology.
- The two lock bolts allow adjustment to accommodate varying pipe diameters.
- Lock screw with captive paper washer to prevent loss.
- Simple installation due to large opening angle.
- Stable sound insulation insert for firm fit.

Technical Data

- Material: Steel 1.0332 acc. to DIN EN 10111
- Zinc plating: Pre-galvanised according to DIN EN 10327
- Sound absorption lining: EPDM; chlorine-free; silicone-free
- Noise reduction: According to DIN 4109
- Temperature resistance: -50°C to +110°C
- EPDM hardness: 45° +/- 5° Shore-A
- Fire behaviour: Class B2 according to DIN 4102



Article Number	Size D in mm	Connecting Thread	Dimensions in mm			SW	V	Pack Size (pcs)	Max. Rec. Load (N)	
			w x t	B	H					H1
89 023 70	80	M8	20x1,5	128	101	54	13	M6x25	25	800
89 023 71	100	M8	20x1,5	148	121	64	13	M6x25	25	800
89 023 72	125	M8	20x1,5	173	146	77	13	M6x25	25	800
89 023 73	140	M8	20x1,5	188	161	84	13	M6x25	25	800
89 023 74	150	M8	20x1,5	198	171	89	13	M6x25	25	800
89 023 75	160	M8	20x1,5	208	181	94	13	M6x25	25	800
89 023 76	180	M8	20x1,5	228	201	104	13	M6x25	25	800
89 023 77	200	M8	20x1,5	248	221	114	13	M6x25	25	800
89 023 78	224	M8/M10	25x1,5	276	254	135	13	M8x30	10	1000
89 023 79	250	M8/M10	25x1,5	302	280	148	13	M8x30	10	1000
89 023 80	280	M8/M10	25x1,5	332	310	163	13	M8x30	10	1000
89 023 81	300	M8/M10	25x1,5	352	330	173	13	M8x30	10	1000
89 023 82	315	M8/M10	25x1,5	367	345	181	13	M8x30	10	1000
89 023 83	355	M8/M10	25x1,5	407	385	201	13	M8x30	10	1000
89 023 84	400	M8/M10	25x1,5	452	430	223	13	M8x30	10	1000