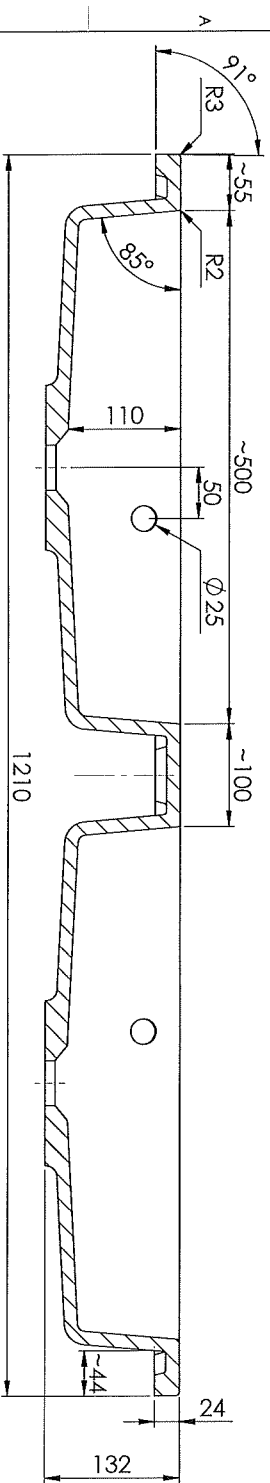
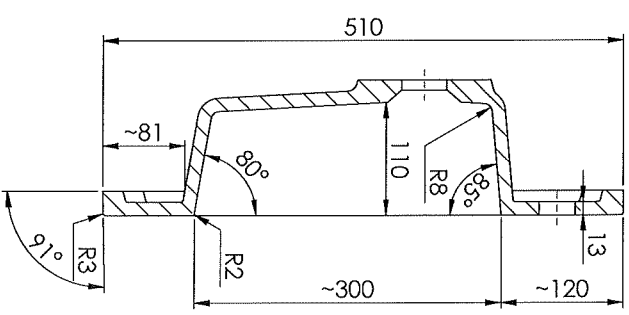


TRENDY K200166585

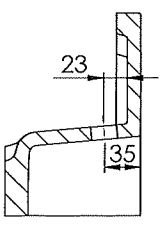
Rev	Design Change Note	Author	Date
001	First Issue	KW	2017-02-17



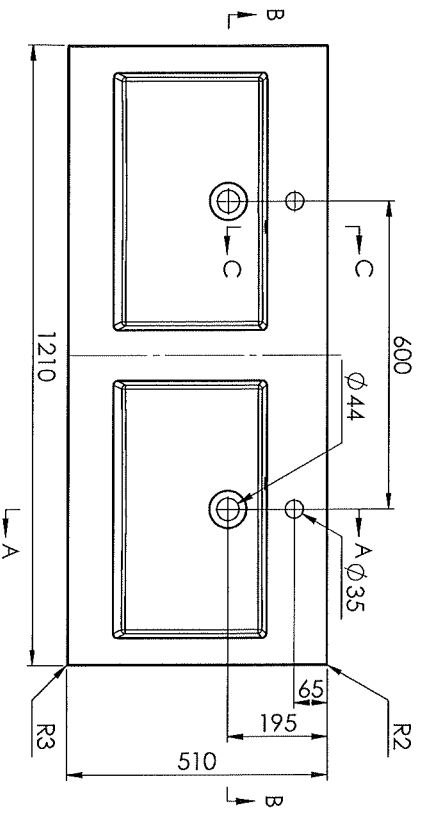
B-B (1:5)



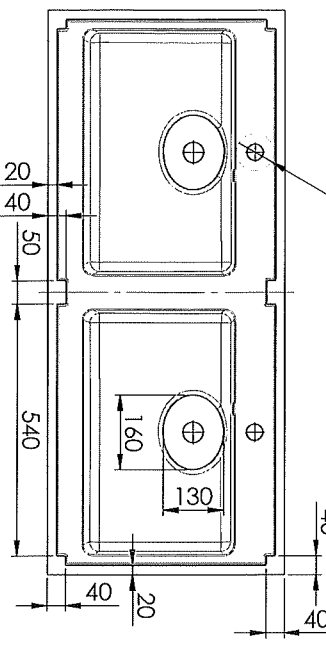
A-A (1:5)



C-C (1:5)



Bottom view/  
Widok od dołu/  
Ø80 Flat area/Powierzchnia płaska



Tolerance total		length	+3/0 mm	width	+2/0 mm	height	+2/-2 mm	height	+1/-1 mm	height	+2/-2 mm	height	+1/-1 mm	height	+1,5/-1,5 mm
Tol. height side walls		±0,2 mm													
Tolerance holes location		±0,2 mm													
Tolerance holes diameter		±0,1 mm													
Tolerance plane bending		±0,5 mm													
Drawn by		Karin A		Created Date		2014-07-04		Checked by		Zbigniew P		Approved			
Project table		Approved		Client		MARONESE		Customer ID		3284		Art. Name: AZARIA 1210D			
Art. No:		62900112420x		Model No:		FA310124		Material volume (mm³)		12545236		Sheet size		A3	
Customer ID:		1872783		Scale		1:10		Main dimensions: L x W x H (mm)		1210 x 510 / 132		Current revision		001	

This document must not be copied without our written permission, and the contents thereof must not be imparted to a third party nor be used for any unauthorized purpose. Contravention will be prosecuted.