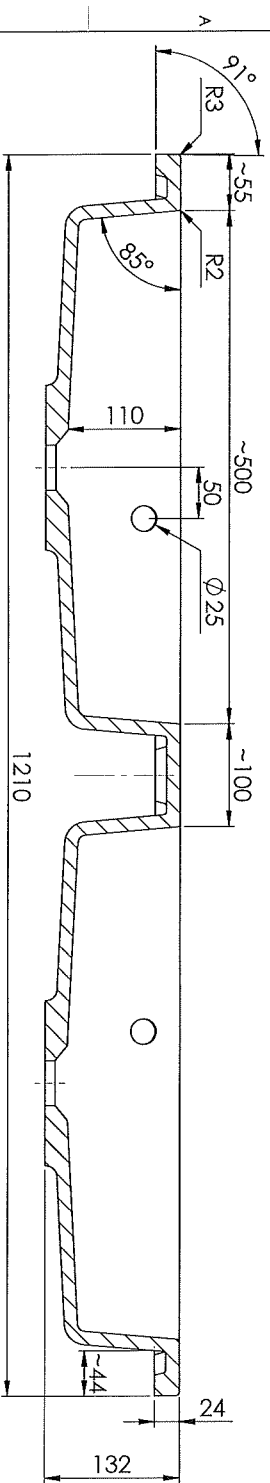
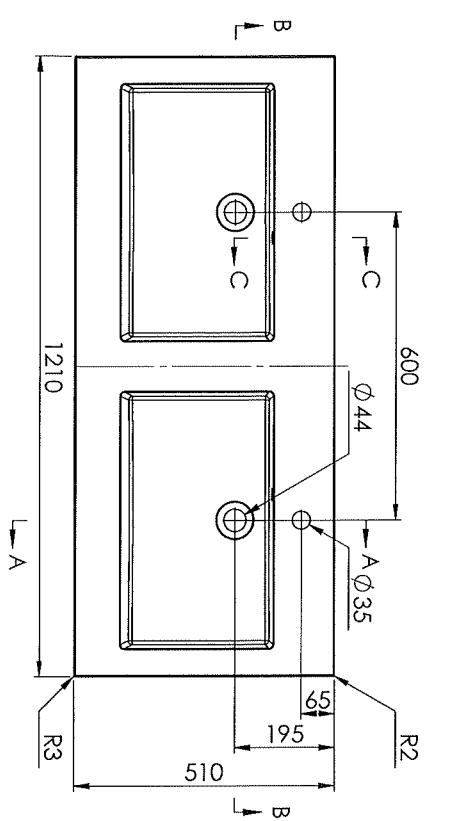


TRENDY K200166585

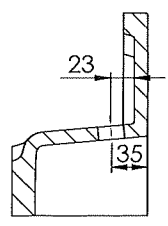
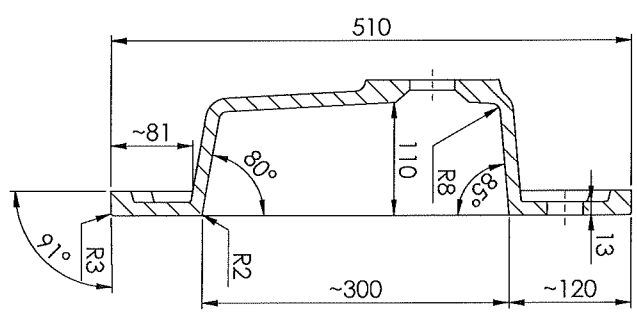
Rev	Design Change Note	Author	Date
001	First Issue	KW	2017-02-17



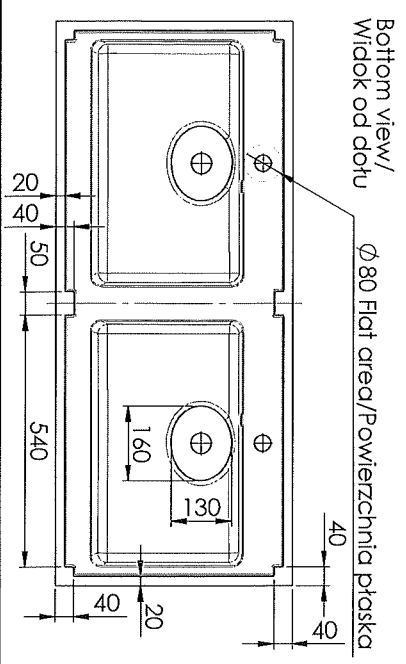
B-B (1:5)



A-A (1:5)



C-C (1:5)



Bottom view/  
Widok od dołu/  
Ø80 Flat area/Powierzchnia płaska

Tolerance total	length	+3/0 mm	Drawn by Karlin A	Created Date 2014-07-04	Checked by Zbigniew P	Art. Name: AZARIA 1210D	Model No: FA310124
	width	+2/0 mm					
Tol. height side walls	height	+2/-2 mm	Project status: Approved	Client MARONESE	Customer ID: 3284	Material volume (mm³) 12545236	Current revision 001
	height	+1/-1 mm					
Tolerance holes location	>25 mm	+2/-2 mm	Art. No: 62900112420X	Checked by MARONESE	Customer ID: 3284	Surface area (mm²) 1872783	Main dimensions: L x W x H (mm) 1210 x 510 / 132
	height	+2/-2 mm					
Tolerance holes diameter	>25 mm	+1/-1 mm	Tolerance plane bending	+1,5/-1,5 mm	Scale 1:10	Current revision 001	
	height	+1/-1 mm					

This document must not be copied without our written permission, and the contents thereof must not be imparted to a third party nor be used for any unauthorized purpose. Contravention will be prosecuted.