

**DESCRIZIONE - BESCHREIBUNG - DESCRIPTION**

Valvola d'arredo a squadra termostattabile destra-sinistra attacco a compressione.  
 TA Finitura cromo  
 TB RAL 9016 finitura bianca  
 NN RAL 9004 finitura nera

Winkel-Eck-Heizkörperthermostatventil, Rohranschluss für Klemmringverschraubung  
 TA verchromt  
 TB RAL 9016 Farbe Weiß  
 NN RAL 9004 Farbe Schwarz matt

Right-left angle thermostatic radiator valve compression end.  
 TA Chrome finishing  
 TB RAL 9016 white color  
 NN RAL 9004 black color

Pressione di esercizio  
 Betriebsdruck **10bar**  
 Working pressure

Temperatura di esercizio  
 Betriebstemperatur **-20°C+110°C**  
 Working temperature



130TA-D (destra - rechts - right)



130TA-S (sinistra - links - left)



130TB-D (destra - rechts - right)



130TB-S (sinistra - links - left)



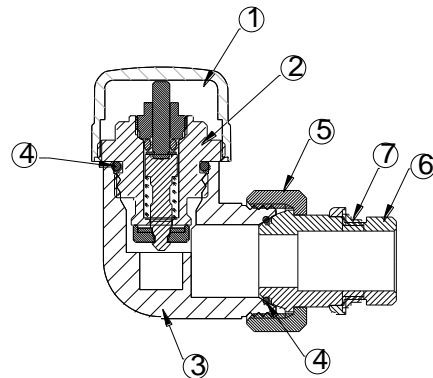
130NN-D (destra - rechts - right)



130NN-S (sinistra - links - left)

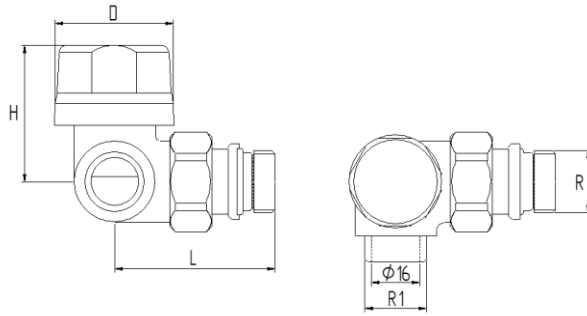
**CARATTERISTICHE - EIGENSCHAFTEN - FEATURES**

Componente - komponente - part	
1: volantino - Regulierkappe - handwheel	ABS
2: vitone - Ventileinsatz - headwork	OT58
3: corpo - Gehäuse - body	OT58
4: O-ring	EPDM
5: calotta - Mutter - nut	OT58
6: codolo - Anschluss - tail 1/2"	OT58
7: guarnizione - Dichtung - gasket	EPDM



**DIMENSIONI PRINCIPALI - ABMESSUNGEN - LEADING DIMENSIONS**

RxR1	1/2x1/2
D	33
L	55
H	45



**PERDITE DI CARICO - DRUCKVERLUST - PRESSURE DROPS**

	1	2	TA
Kv	0.34	0.60	1.75
QmNH	190	[Kg/h]	

