

DESCRIZIONE - BESCHREIBUNG - DESCRIPTION

Valvola d'arredo a squadra termostattabile destra-sinistra attacco a compressione.

TA Finitura cromo
TB RAL 9016 finitura bianca
NN RAL 9004 finitura nera

Winkel-Eck-Heizkörperthermostatventil, Rohranschluss für Klemmringverschraubung

TA verchromt
TB RAL 9016 Farbe Weiß
NN RAL 9004 Farbe Schwarz matt

Right-left angle thermostatic radiator valve compression end.

TA Chrome finishing
TB RAL 9016 white color
NN RAL 9004 black color

Pressione di esercizio
Betriebsdruck 10bar
Working pressure

Temperatura di esercizio
Betriebstemperatur -20°C+110°C
Working temperature



130TA-D (destra - rechts - right)



130TA-S (sinistra - links - left)



130TB-D (destra - rechts - right)



130TB-S (sinistra - links - left)



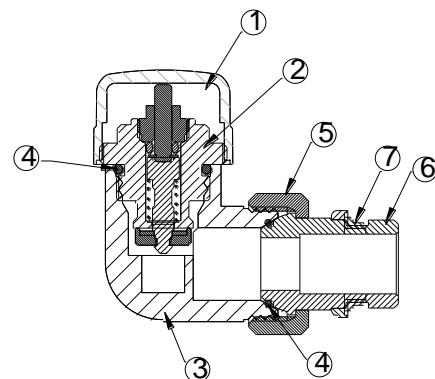
130NN-D (destra - rechts - right)



130NN-S (sinistra - links - left)

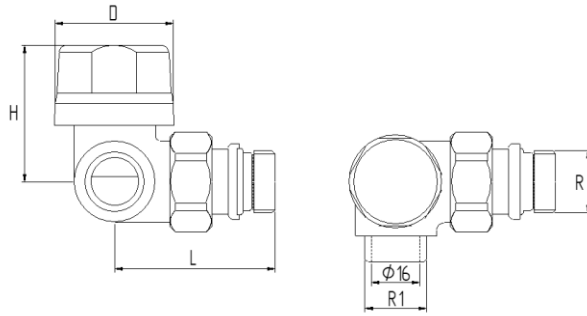
CARATTERISTICHE - EIGENSCHAFTEN - FEATURES

Componente - komponente - part	
1: volantino - Regulierkappe - handwheel	ABS
2: vitone - Ventileinsatz - headwork	OT58
3: corpo - Gehäuse - body	OT58
4: O-ring	EPDM
5: calotta - Mutter - nut	OT58
6: codolo - Anschluss - tail 1/2"	OT58
7: guarnizione - Dichtung - gasket	EPDM



DIMENSIONI PRINCIPALI - ABMESSUNGEN - LEADING DIMENSIONS

RxR1	1/2x1/2
D	33
L	55
H	45



PERDITE DI CARICO - DRUCKVERLUST - PRESSURE DROPS

	1	2	TA
Kv	0.34	0.60	1.75
QmNH	190	[Kg/h]	

