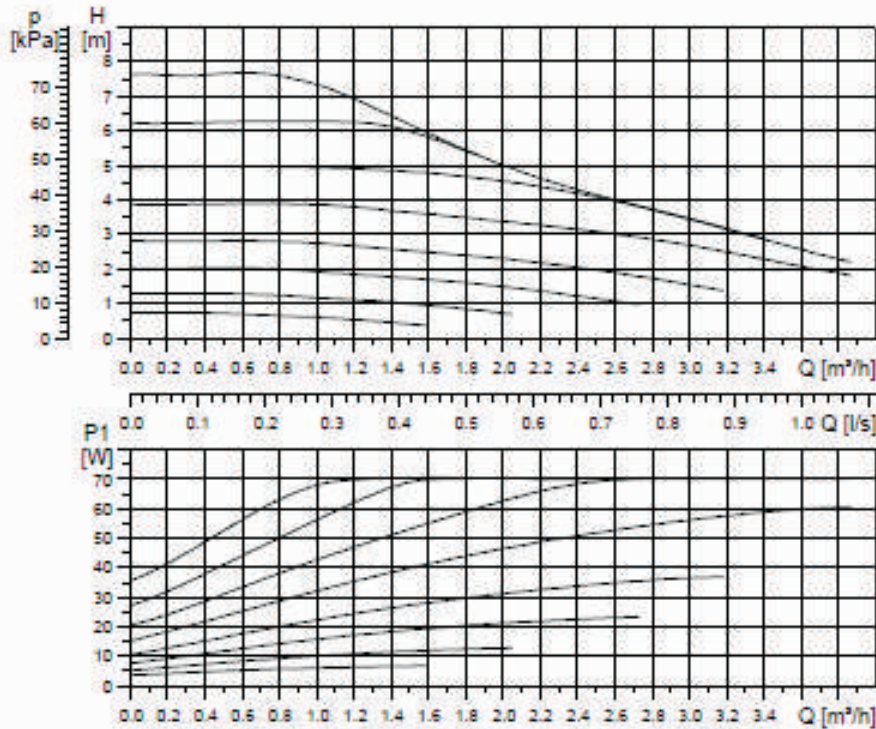


UPM2 25-75 180, 1 x 230 V, 50/60 Hz



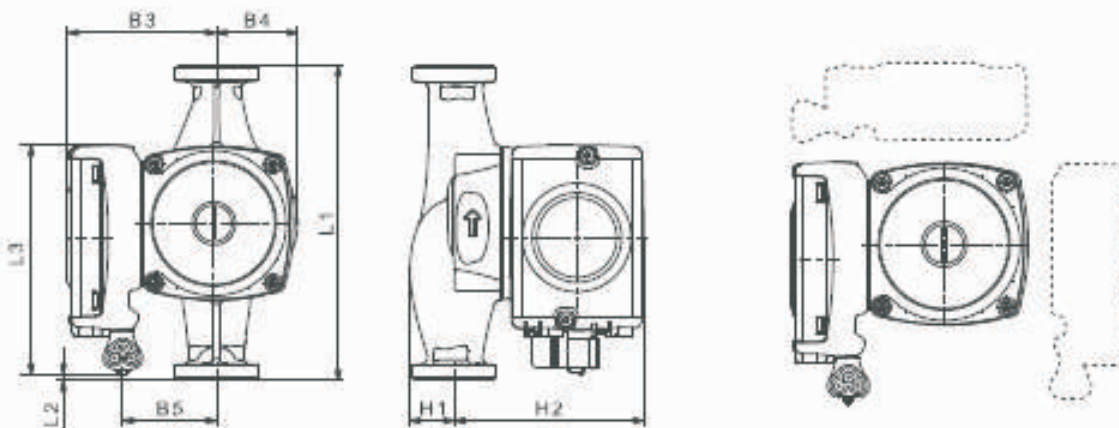
EEl ≤ 0.23

TM04 9524 3710 - TM04 9200 3710

Electrical data, 1 x 230 V, 50 Hz

Speed	P1 [W]	I _{1/1} [A]
Min.	3.8	0.04
Max.	70	0.52

Dimensional sketches and control box positions



TM04 9212 3810 - TM04 9482 4310

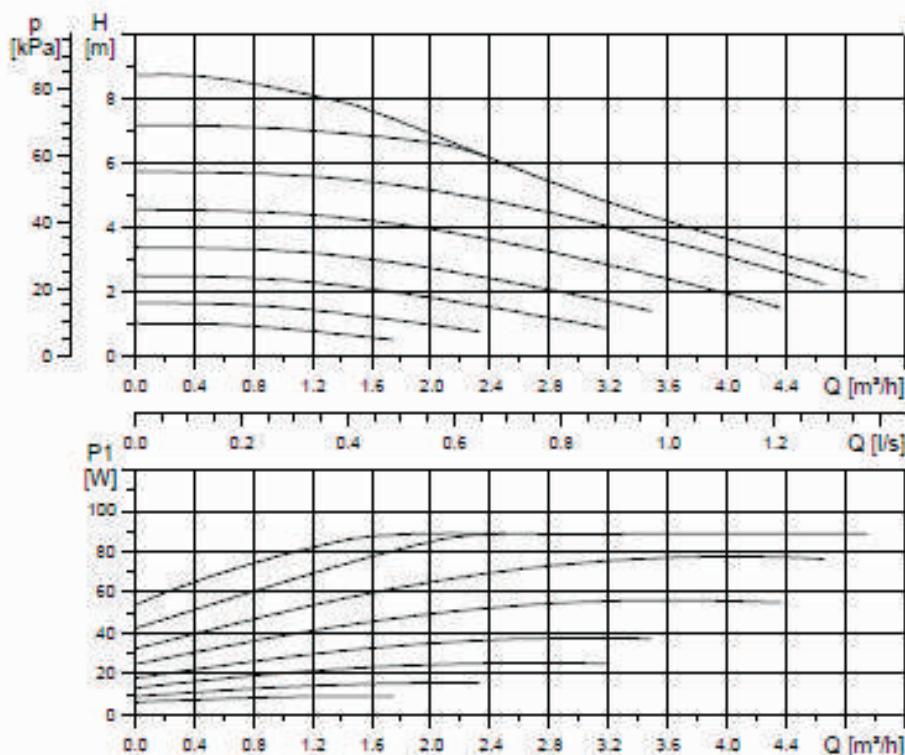
Pump type	Dimensions [mm]								Connection	Net weight [kg]	Quantity per pallet
	L1	L2	L3	B3	B4	B5	H1	H2			
UPM2 25-75	180	3.5	131	85	46	54	25.3	108	G 1 1/2	2.58	160

Technical data

System pressure:	Max. 1.0 MPa (10 bar)	Enclosure class:	IP44
Minimum inlet pressure:	0.05 MPa (0.5 bar) at 95 °C liquid temperature	Insulation class:	H
Liquid temperature:	+2 °C to +95 °C (TF 95)	Equipment class:	I
Motor protection:	Overload protection	Approval and marking:	VDE, CE

Revision date: 1 november 2011

UPM GEO 25-85 180, 1 x 230 V, 50/60 Hz



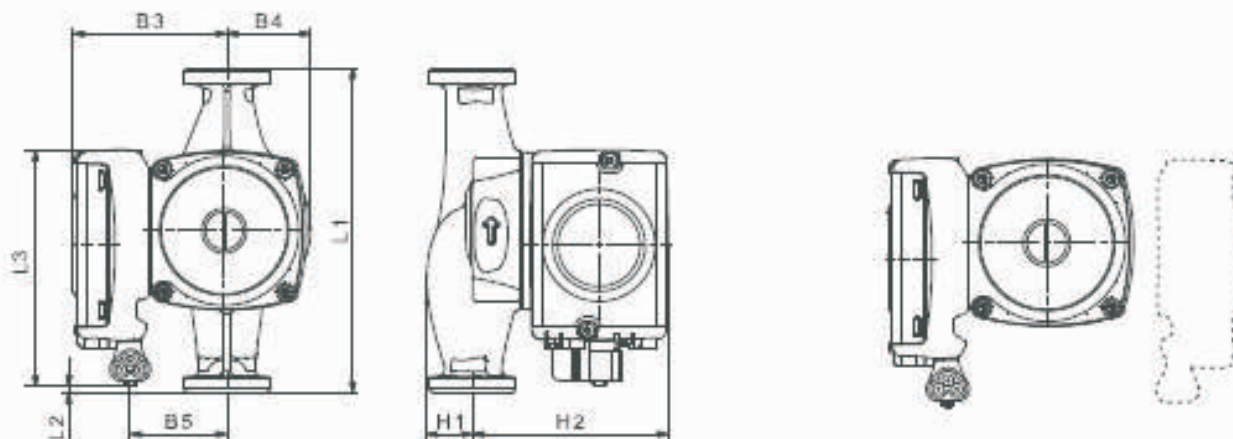
EEL ≤ 0.23

TM04 9526 3710 - TM04 9200 3710

Electrical data, 1 x 230 V, 50 Hz

Speed	P1 [W]	I_{in} [A]
Min.	5.7	0.06
Max.	67	0.71

Dimensional sketches and position of control box



TM04 9212 3810 - TM04 9776 0111

Pump type	Dimensions [mm]								Connection	Net weight [kg]	Quantity per pallet
	L1	L2	L3	B3	B4	B5	H1	H2			
UPM GEO 25-85	180	3.5	131	95	50	64	38	102	G 1 1/2	2.59	160

Technical data

System pressure:	Max. 1.0 MPa (10 bar)	Enclosure class:	IPX4D
Minimum inlet pressure:	0.05 MPa (0.5 bar) at 95 °C liquid temperature	Insulation class:	H
Liquid temperature:	-10 °C to +95 °C (TF 95)	Equipment class:	I
Motor protection:	Overload protection	Approvals and marking:	VDE, CE

Revision date: 1 november 2011