



ESBE AB
Bruksgatan 22
SE-333 75 Reftele
www.esbe.eu



SERIES VRB140

Mtrl.nr. 98140271 • Ritn.nr. 7047 vers F • Rev. 2023-06-02

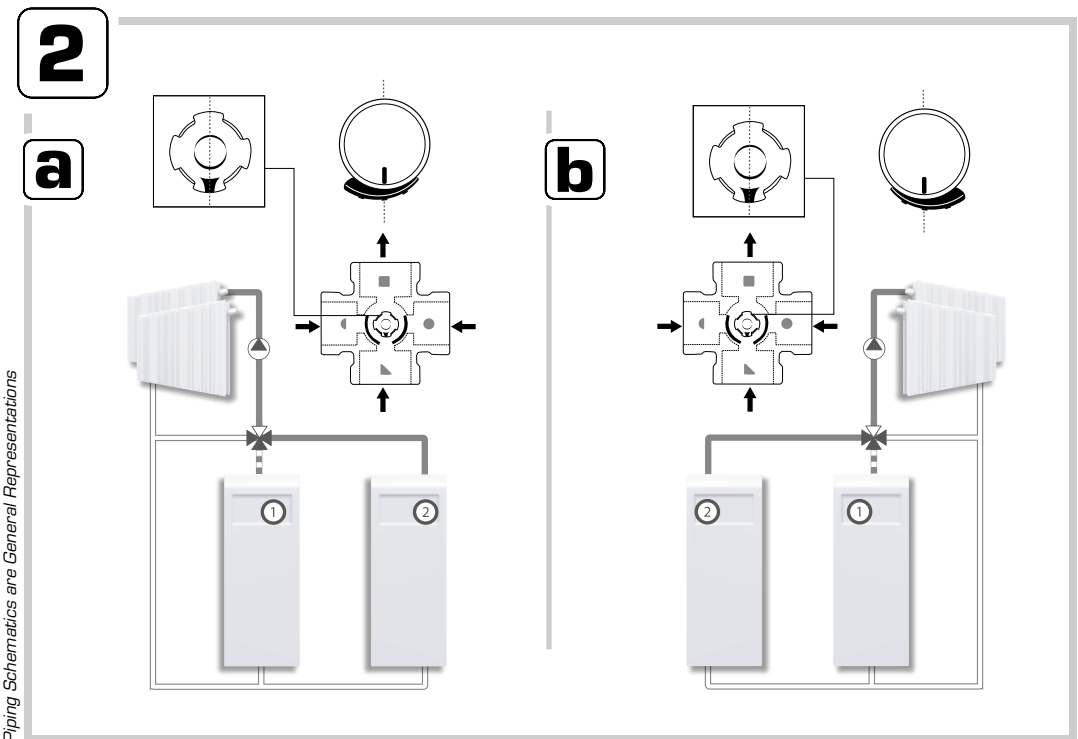
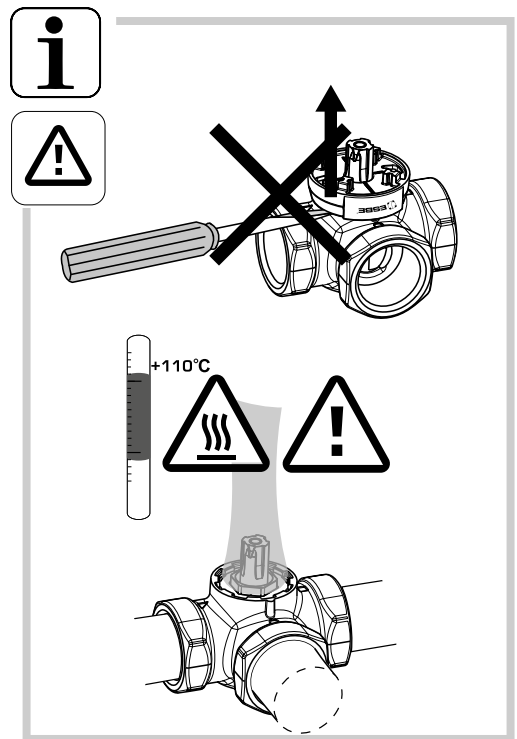
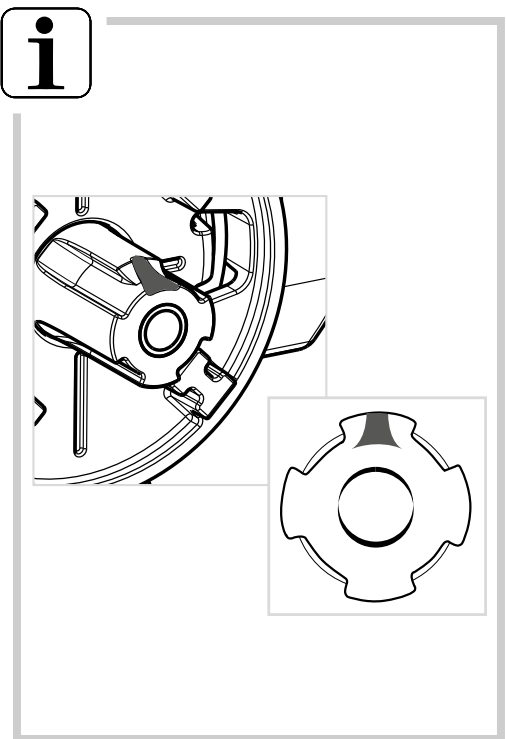
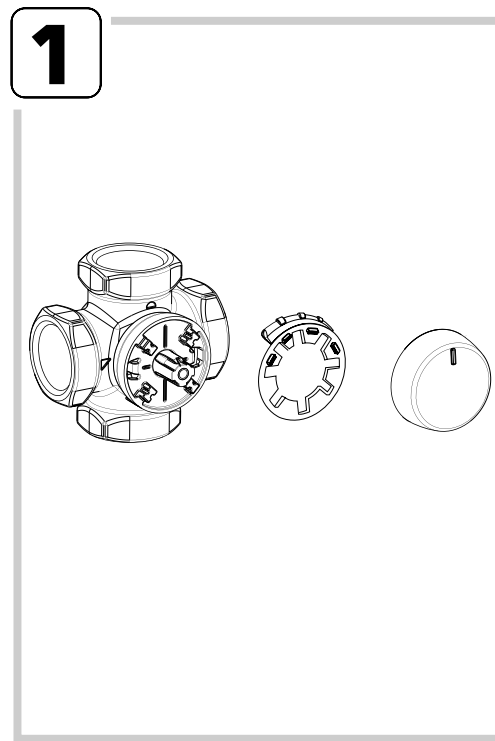
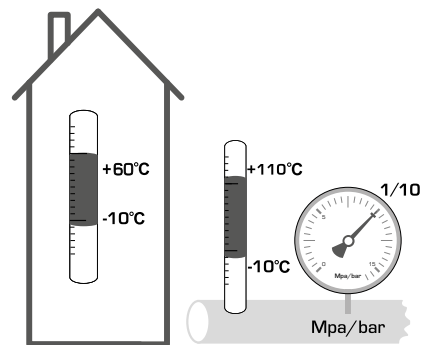


Series VRB141
Series VRB142

Series VRB143

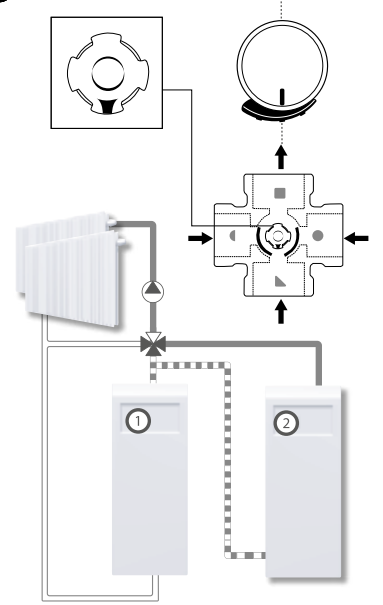
PED 2014/68/EU, article 4.3

SI 2016 No. 1105

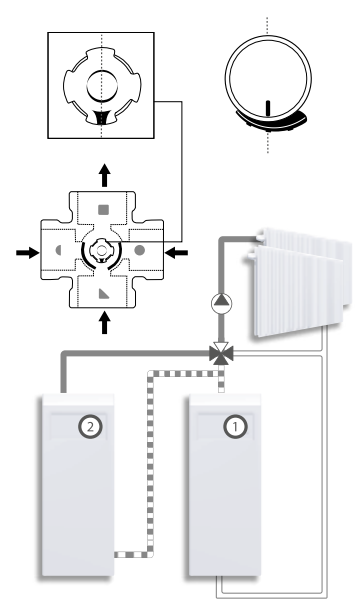


3

a

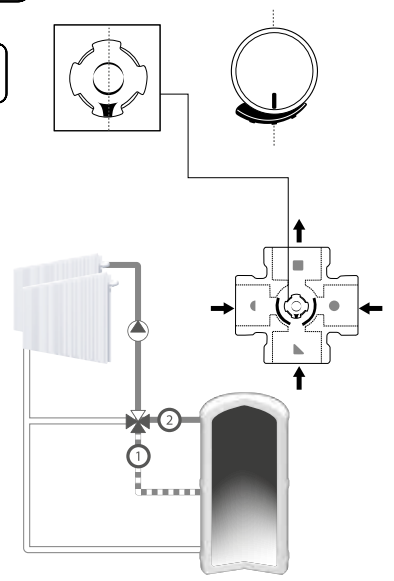


b

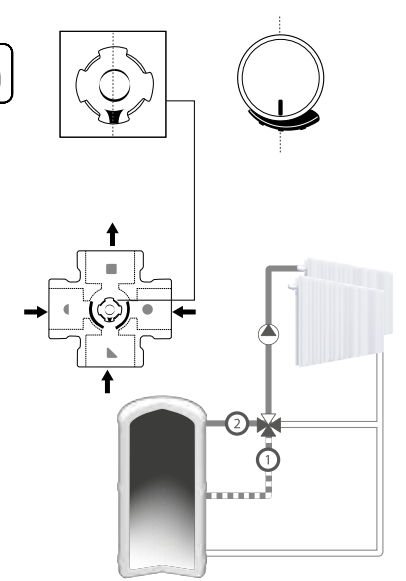


4

a

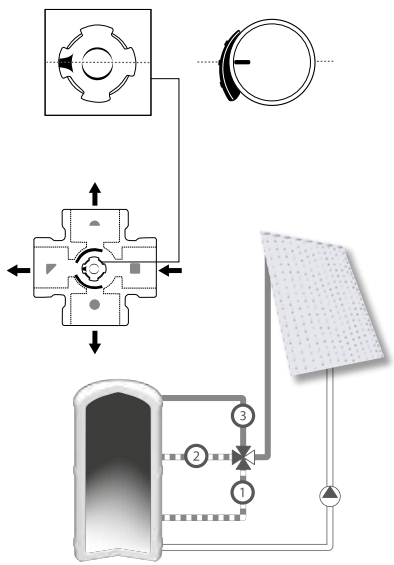


b

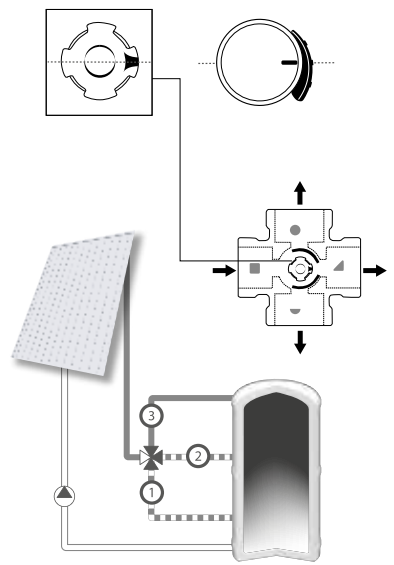


5

a



b



i



<http://www.esbe.eu/global/en/products/rotary-valves>