



ESBE AB  
Bruksgatan 22  
SE-333 75 Reftele  
www.esbe.eu



**SERIES VRG230**

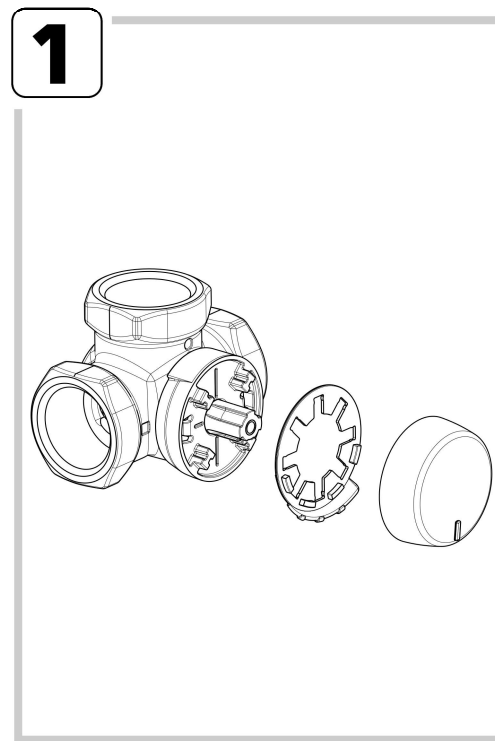
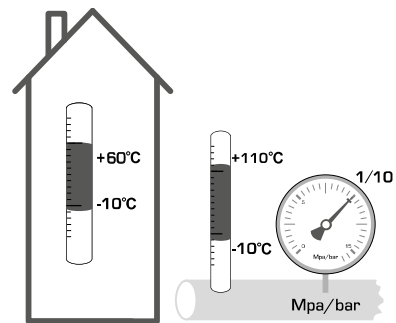


Series VRG231  
Series VRG232  
Series VRG233

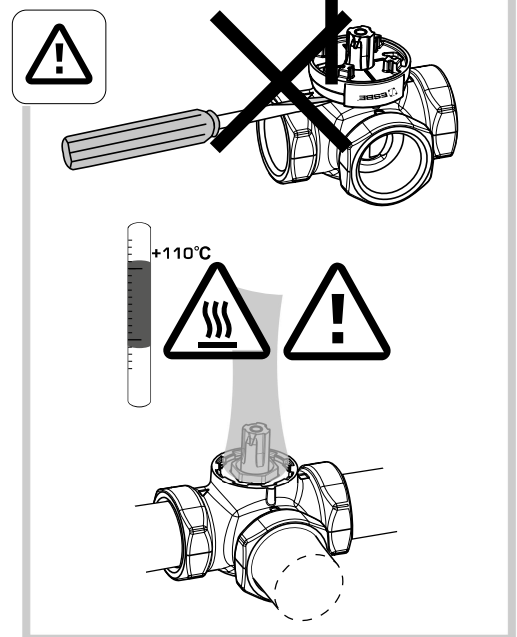
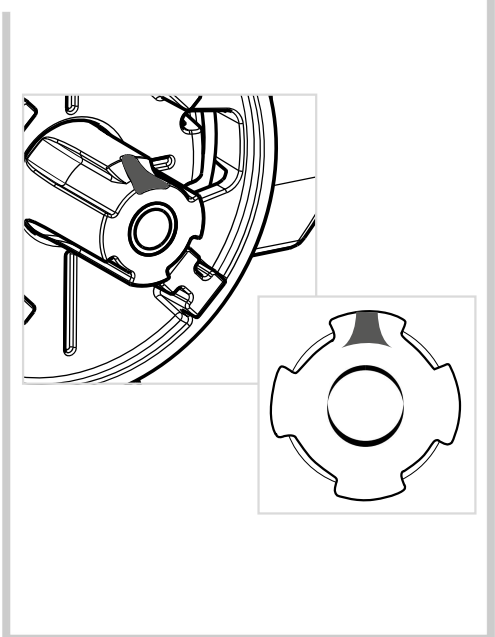
Series VRG238

PED 2014/68/EU, article 4.3

SI 2016 No. 1105



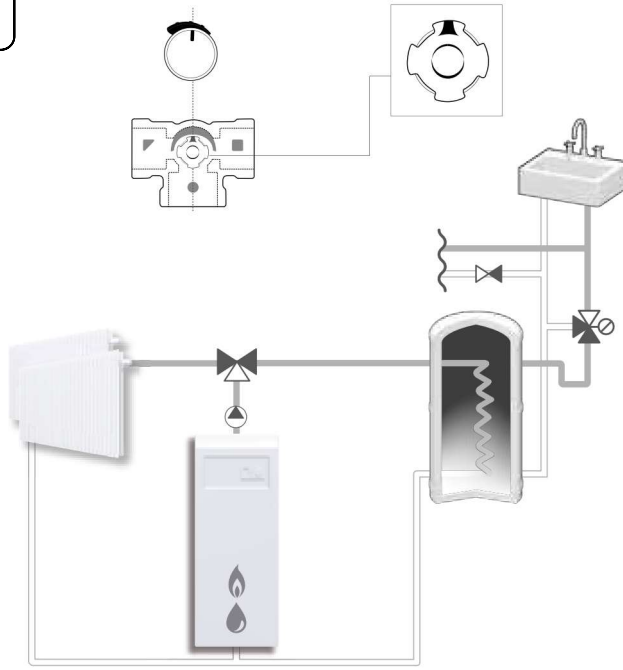
Mtrl.nr: 98140272 • Ritn.nr: 7048 utg E • Rev. 2023-03-24



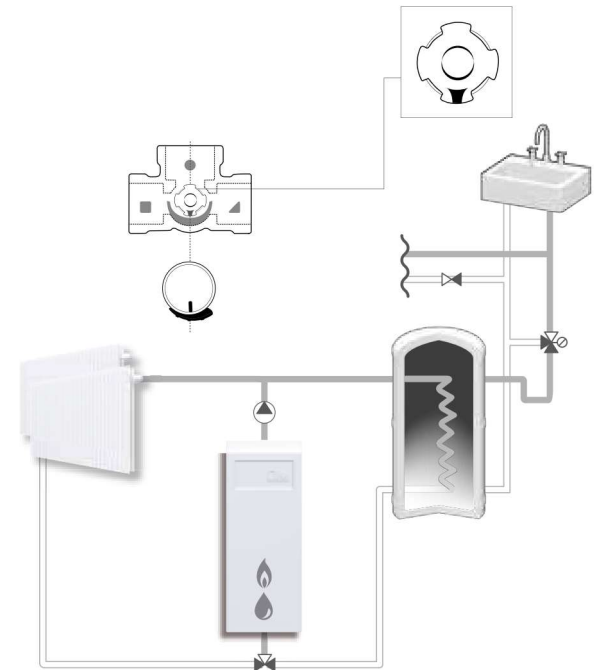
Piping Schematics are General Representations

**2**

**a**



**b**



**i**



<http://www.esbe.eu/global/en/products/rotary-valves>