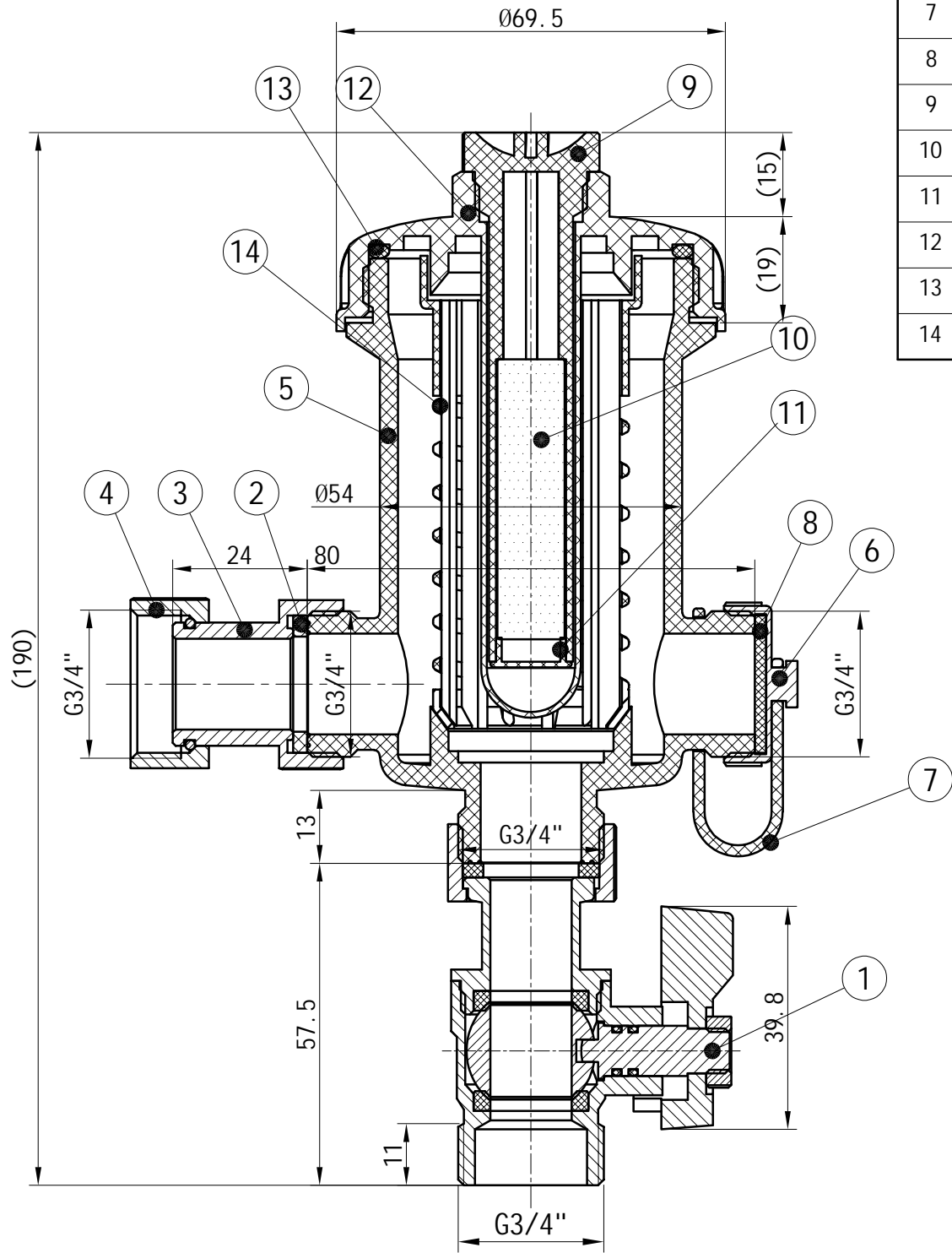


NO.	Part name	Material
1	Ball valve	molectron
2	Gasket	NBR
3	Uni on	Brass
4	Nut	Brass
5	Body	Nyl on
6	cover	Brass
7	Rope	Plasti c
8	Gasket	NBR
9	Nut	Nyl on
10	magnet	magnet
11	cover	Nyl on
12	Bonnet	Nyl on
13	O-Ri ng	NBR
14	Abschei der	Plasti c



GmbH

Code	
Descripti on	