

Technical data sheet

Article - Description

Article - picture

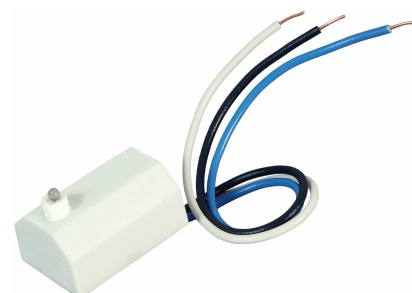
Twilight Switch DS-A Type 8812

230 V AC, 50/60 Hz, +/- 10 %,

**suitable for ohmic, inductiv and capacitive loads
 (also for energy-saving lamps)**

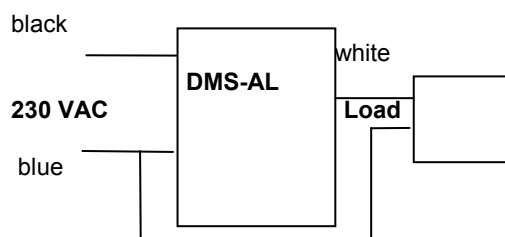
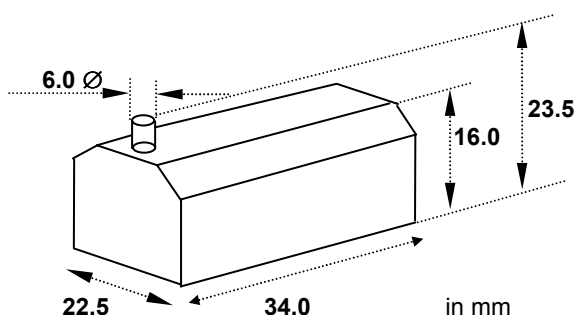
Load 100 VA max. at ambient temp. -20°C to +35°C

- output current 430 mA max.
- switching on threshold about 5 - 15 lux
- switching off threshold about 30 - 40 lux
- encapsulated housing



Light pulse of less than 5 seconds are faded out.
 This prevents a switching on and off of the light with brief beam of light (for example driving past vehicles with headlights).

1 piece on blister card



<i>inter BÄR-item no.</i>	<i>Colour</i>
8812-005.01	white
8812-006.01	black