



NON DETACHABLE ZONE VALVES

Motorized zone valves are designed to work as on-off flow Control as diverting / mixed valves in closed water circuits In heating, air conditioning, solar systems, utilization of river Water resources, etc.



PRODUCT RANGE

| FEMALE ZONE VALVES | | | | | | |
|--------------------|--------|--------------|-----------------|--------------|--------------|---------------|
| | Type | Size | Pipe connection | Micro switch | Article Ref. | EAN |
| | 2 ways | DN 15 (1/2") | 1/2" F | NO | 30113200 | 8426562020065 |
| | 2 ways | DN 20 (3/4") | 3/4" F | NO | 30213200 | 8426562020072 |
| | 2 ways | DN 25 (1") | 1" F | NO | 30313200 | 8426562020089 |
| | 2 ways | DN 15 (1/2") | 1/2" F | YES | 30123200 | 8426562020096 |
| | 2 ways | DN 20 (3/4") | 3/4" F | YES | 30223200 | 8426562020102 |
| | 2 ways | DN 25 (1") | 1" F | YES | 30323200 | 8426562020119 |
| | 3 ways | DN 15 (1/2") | 1/2" F | NO | 40113200 | 8426562020126 |
| | 3 ways | DN 20 (3/4") | 3/4" F | NO | 40213200 | 8426562020133 |
| | 3 ways | DN 25 (1") | 1" F | NO | 40313200 | 8426562020140 |
| | 3 ways | DN 15 (1/2") | 1/2" F | YES | 40123200 | 8426562020157 |
| | 3 ways | DN 20 (3/4") | 3/4" F | YES | 40223200 | 8426562020164 |
| | 3 ways | DN 25 (1") | 1" F | YES | 40323200 | 8426562020171 |

| MALE ZONE VALVES | | | | | | |
|------------------|--------|--------------|-----------------|--------------|--------------|---------------|
| | Type | Size | Pipe connection | Micro switch | Article Ref. | EAN |
| | 2 ways | DN 20 (3/4") | 3/4" M | NO | 30613200 | 8426562020188 |
| | 2 ways | DN 25 (1") | 1" M | NO | 30713200 | 8426562020195 |
| | 3 ways | DN 20 (3/4") | 3/4" M | NO | 40613200 | 8426562020201 |
| | 3 ways | DN 25 (1") | 1" M | NO | 40713200 | 8426562020218 |

| ZONE VALVES HIGH Kv | | | | | | |
|---------------------|--------|------------|-----------------|--------------|--------------|---------------|
| | Type | Size | Pipe connection | Micro switch | Article Ref. | EAN |
| | 3 ways | DN 25 (1") | 1" M | NO | 20713900 | 8426562020256 |
| | 3 ways | DN 25 (1") | 1" H | NO | 20313200 | 8426562020263 |



• **TECHNICAL SPECIFICATIONS**

The Orkli motorized zone valves comply with the requirements of the following Directives:

- Directive: 2014/35/UE (LVD)
- Directive: 2014/30/UE (EMCD)
- Directive: 2014/68/UE (PED)
- Directive: 2011/65/EC (RoHS)

• **TECHNICAL DATA**

| | |
|------------------------------|-------------------------|
| Media | water, glycol solutions |
| Maximum percentage of glycol | 50 % |
| Minimum fluid temperature | -20 °C |
| Maximum fluid temperature | 160 °C |
| Maximum ambient temperature | 50 °C |
| Opening time | 12 s |
| Closing time | 5 s |
| Supply voltage | 230 V |
| Consumption | 50 Hz 5W |
| Cable length | 60 cm |
| Maximum static pressure | 10 bar |

• **VALVES**

| MATERIALS | |
|--------------|----------------------|
| Body | brass EN 12165 CW617 |
| Spindle | brass EN 12165 CW617 |
| O-rings | EPDM |
| Spring | stainless steel |
| Lever | steel |
| Main support | PPA with F.V. |
| Cover | PA 6-6 |

Maximum differential pressure and Q

| Size | 2 ways | | 3 ways | |
|--------------|------------------|-----------------------|------------------|-----------------------|
| | Δp (bar) | Q (m ³ /h) | Δp (bar) | Q (m ³ /h) |
| DN 15 (1/2") | 1.4 | 3.6 | 1.4 | 4 |
| DN 20 (3/4") | 0.7 | 6.2 | 0.7 | 6.4 |
| DN 25 (1") | 0.7 | 6.2 | 0.7 | 6.4 |

| Size | 3 ways | |
|----------------|------------------|-----------------------|
| | Δp (bar) | Q (m ³ /h) |
| DN 25 (1") HKv | 0.5 | 8.8 |

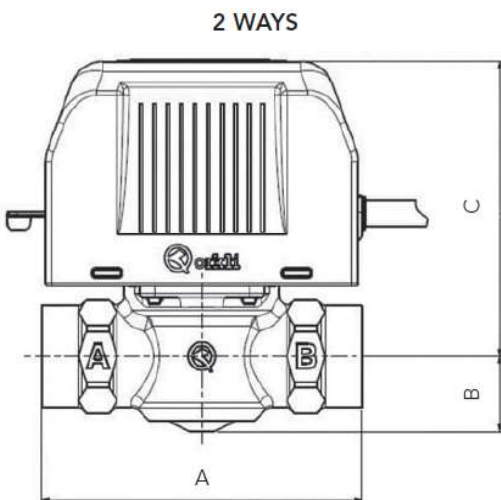
Flow direction:

| | |
|---------|---|
| 2 ways: | De-energized: Closed Energized: A → B |
| 3 ways: | De-energized: AB → B Energized: AB → A |

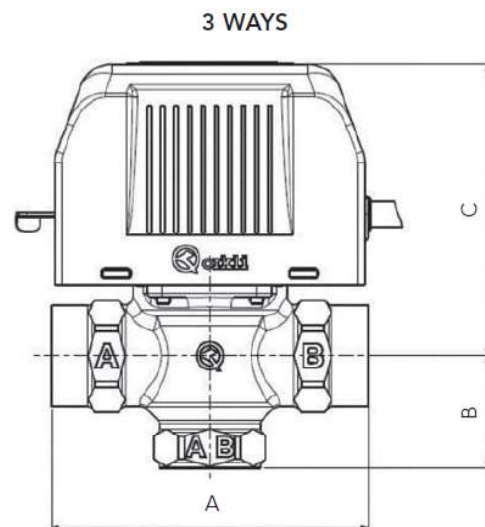
The valve has a manually operated lever for filling/emptying the circuit, which, when actuated, closes a power-free auxiliary contact.

Attention: We must ensure when actuating it that we do inadvertently activate any device.

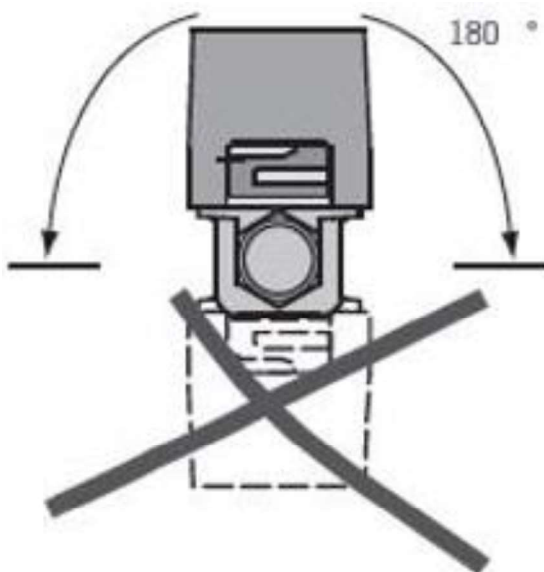
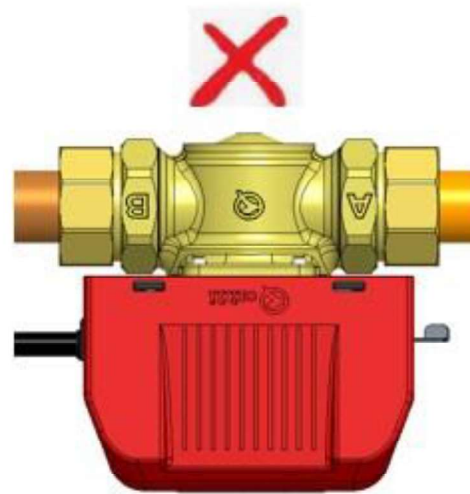
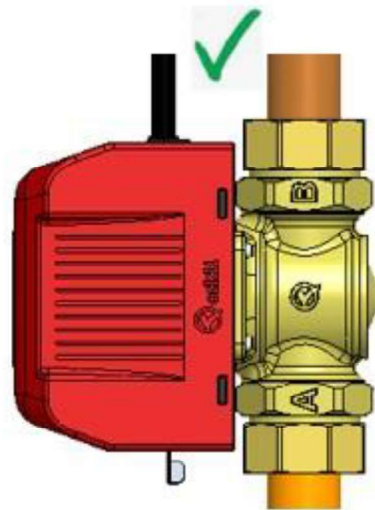
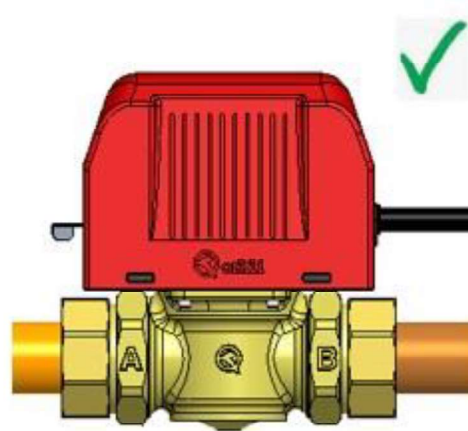
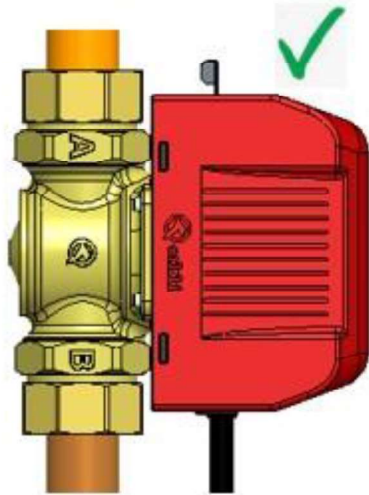
• **MAIN MOUNTING DIMENSIONS**



| Model | A | B | C |
|-------------------|------|----|----|
| 1/2", 3/4" and 1" | 94.5 | 21 | 87 |



| Model | A | B | C |
|-------------------|------|------|----|
| 1/2", 3/4" and 1" | 94.5 | 33.5 | 87 |



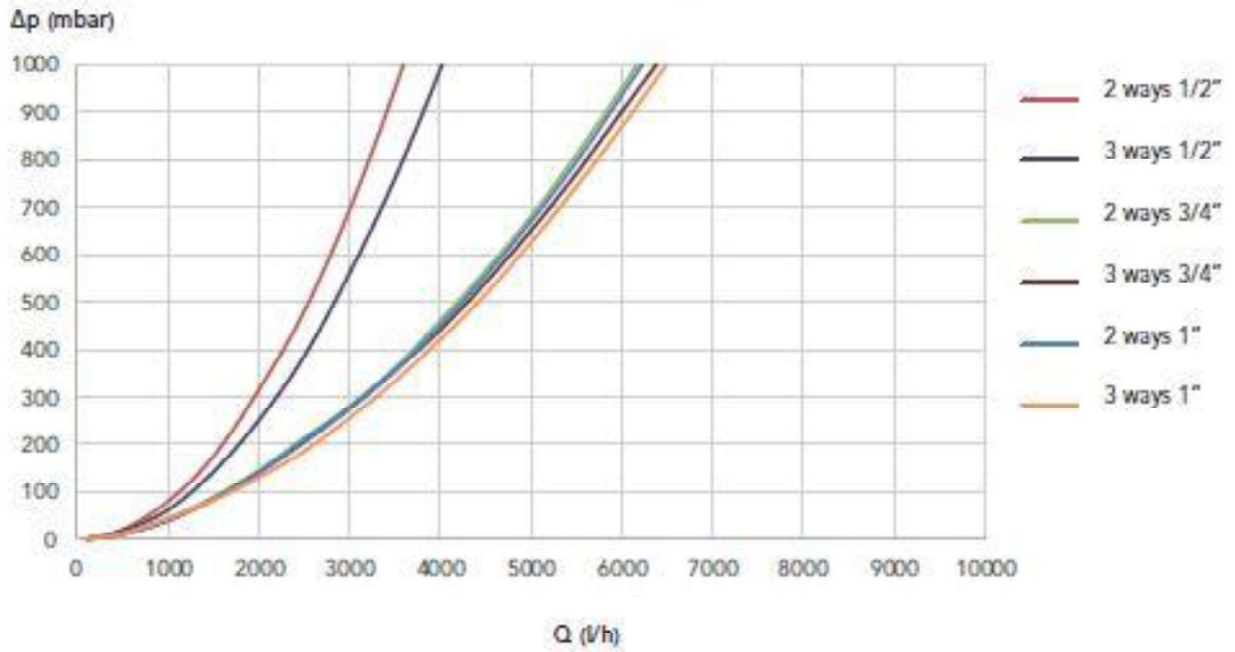
Installations

The most important restriction in the installation of the zone valve is never to mount the motorized control head below the hydraulic part.



• HYDRAULIC CHARACTERISTICS

ZONE VALVES



ZONE VALVES (HKv)

