

DESCRIZIONE - BESCHREIBUNG - DESCRIPTION

Valvola d'arredo a squadra termostattizzabile destra-sinistra attacco a compressione.

TA Finitura cromo
TB RAL 9016 finitura bianca
NN RAL 9004 finitura nera

Winkel-Eck-Heizkörperthermostatventil, Rohranschluss für Klemmringverschraubung

TA verchromt
TB RAL 9016 Farbe Weiß
NN RAL 9004 Farbe Schwarz matt

Right-left angle thermostatic radiator valve compression end.

TA Chrome finishing
TB RAL 9016 white color
NN RAL 9004 black color

Pressione di esercizio
Betriebsdruck **10bar**
Working pressure

Temperatura di esercizio
Betriebstemperatur **-20°C+110°C**
Working temperature



130TA-D (destra - rechts - right)



130TA-S (sinistra - links - left)



130TB-D (destra - rechts - right)



130TB-S (sinistra - links - left)



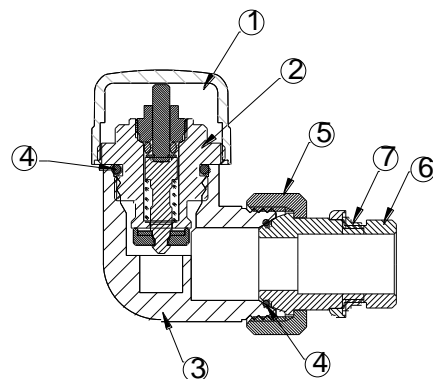
130NN-D (destra - rechts - right)



130NN-S (sinistra - links - left)

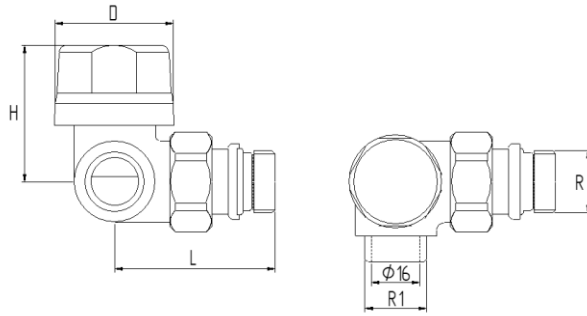
CARATTERISTICHE - EIGENSCHAFTEN - FEATURES

| Componente - komponente - part | |
|--|------|
| 1: volantino - Regulierkappe - handwheel | ABS |
| 2: vitone - Ventileinsatz - headwork | OT58 |
| 3: corpo - Gehäuse - body | OT58 |
| 4: O-ring | EPDM |
| 5: calotta - Mutter - nut | OT58 |
| 6: codolo - Anschluss - tail 1/2" | OT58 |
| 7: guarnizione - Dichtung - gasket | EPDM |



DIMENSIONI PRINCIPALI - ABMESSUNGEN - LEADING DIMENSIONS

| | |
|------|---------|
| RxR1 | 1/2x1/2 |
| D | 33 |
| L | 55 |
| H | 45 |



PERDITE DI CARICO - DRUCKVERLUST - PRESSURE DROPS

| | | | |
|------|------|--------|------|
| | 1 | 2 | TA |
| Kv | 0.34 | 0.60 | 1.75 |
| QmNH | 190 | [Kg/h] | |

