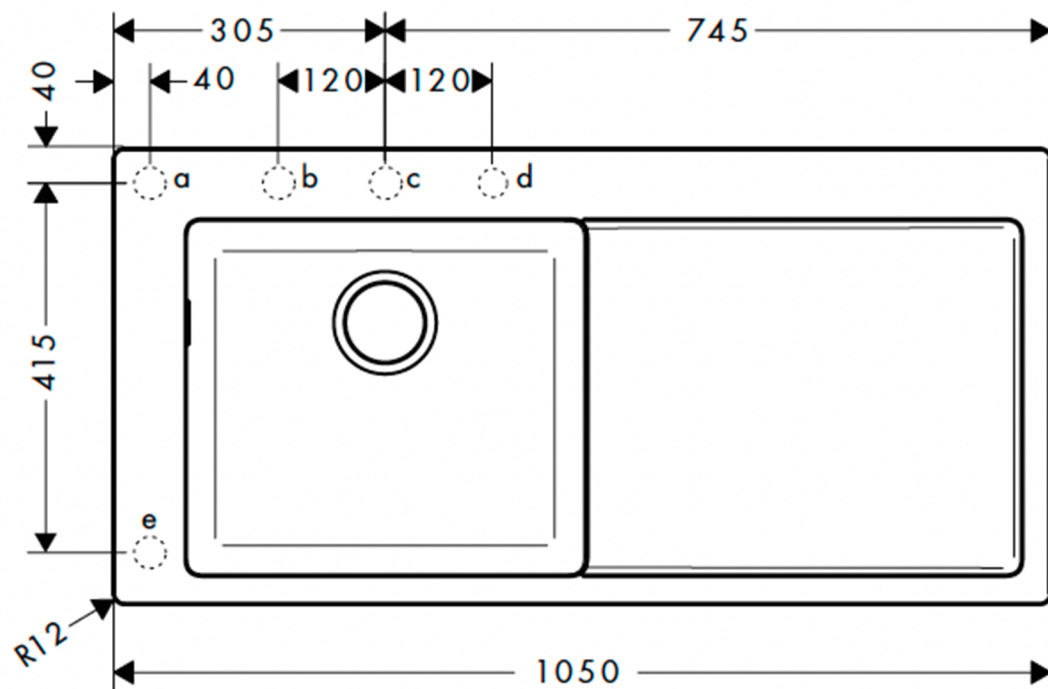


# S5110-F450 43330XXX



a, b, c, d, e =  $\varnothing$  35

