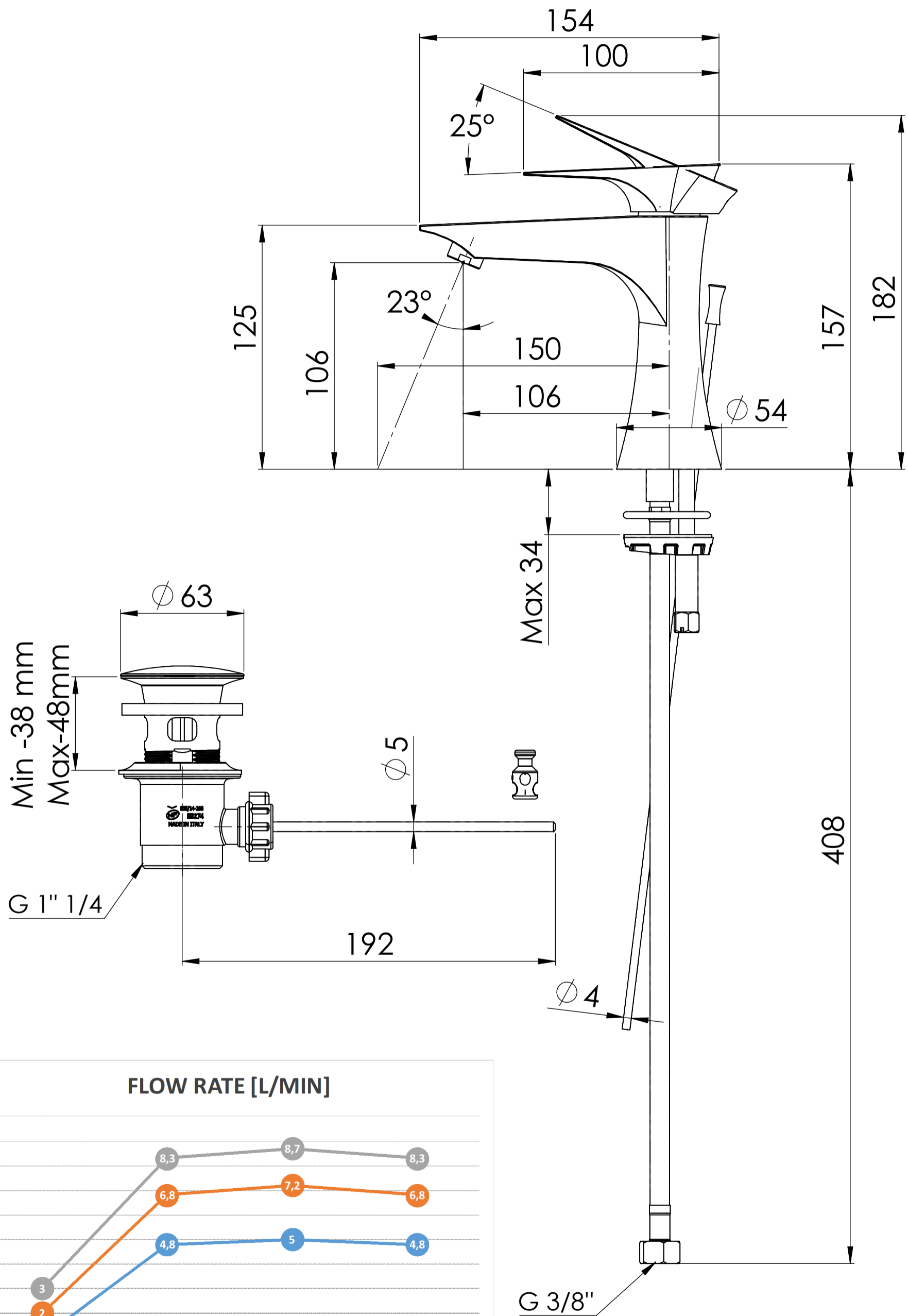


Num. articolo	cod. REMER	cod. DANIEL
1	X52	A848
2	GH29	GH29
3	OR2512178	OR2512178
4	OR2035178	OR2035178
5	CAD10	CAPLDV
6	114PRZ40	DV605PRTUB
7	83N41	A83CRKIR
8	MADV	DV630
9	GR58	GR5X8
10	TAMASQ	23630BOCR
11	AS4	ASELICR4
12	CRDV605PO	CRDV605PO
13	FISA10	FISDV605
14	10838F40DVGW	A9704010DVGW
15	83C	A81KEY16
16	95XG80	95XG80

Data: 28-05-2024

Cod.: **93 726 77** A

Apice



FLOW RATE [L/MIN]



Data: 28-05-2024

Cod. 93 726 77 Apice A