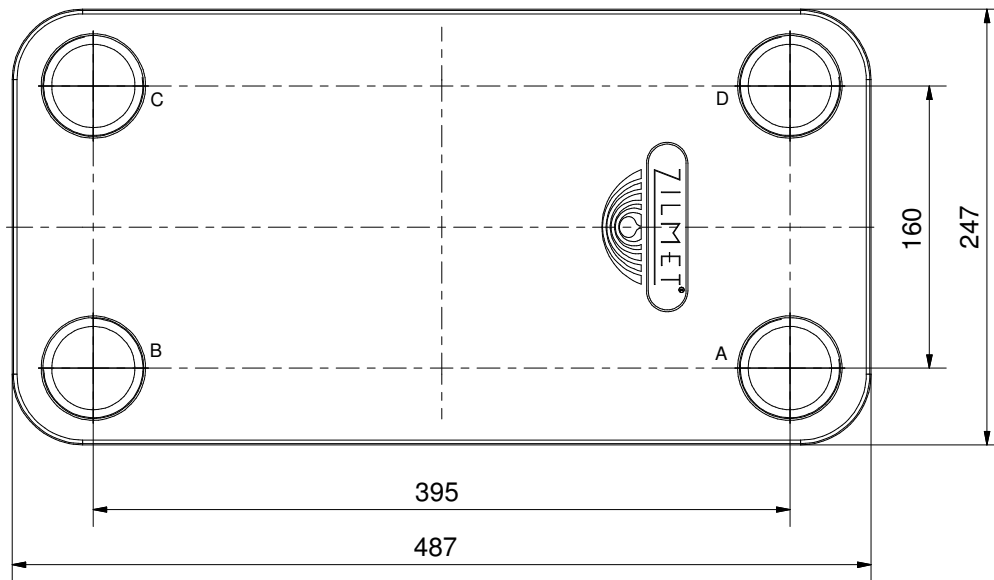
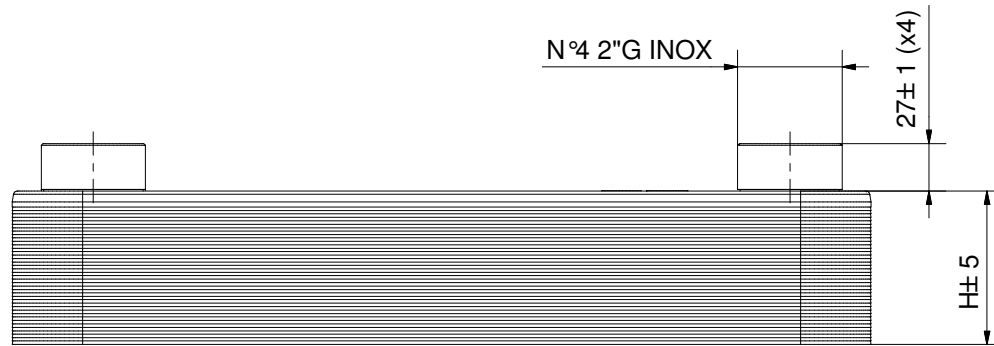


| CODE | N° OF PLATES | H |
|------------|--------------|-----|
| 17B4502004 | 20 | 48 |
| 17B4503004 | 30 | 68 |
| 17B4504004 | 40 | 87 |
| 17B4505004 | 50 | 107 |
| 17B4506004 | 60 | 126 |
| 17B4507004 | 70 | 146 |
| 17B4508004 | 80 | 165 |
| 17B4510004 | 100 | 204 |



CIRCOLAZIONE FLUIDI CIRCUITO PRIMARIO C - D (PRIMARY CIRCUIT C - D)
 CIRCUITO SECONDARIO A - B (SECONDARY CIRCUIT SANITARY A - B)

Pressione max esercizio (Max operating pressure): 30 bar
 Temperatura esercizio (Max operating temperature): -50/+200 °C
 Materiale (Material): INOX AISI 316L
 Materiale di brasatura (Brazing material): 99.9% Cu

DRAWING FOR APPROVAL
 PLEASE RETURN THIS DRAWING WITH YOUR COMPANY STAMP, SIGNATURE
 AND DATE. AFTER YOUR APPROVAL WE WILL BE PROCEEDING WITH
 SUPPLIES AND PRODUCTION. Signe.....

| REV | DESCRIZIONE | DATA |
|-----|--|------------|
| 1 | Dimensions | 13/02/2006 |
| 2 | 2"G & holes distance 395 | 07/09/2006 |
| 3 | Temp. & heights | 26/02/2010 |
| 4 | Added height dimensions for 60-80-100 plates | 04/06/2012 |

| | | | | |
|--|------------|------------|----------|---|
| <small>35010 Limena (PD) Via del Santo 242 tel.049/8840662</small> | DRAWING N° | | SCALE | |
| | ZB 450 | | | |
| Denomination SCAMBIATORE DI CALORE SALDOBASATO (HEAT EXCHANGERS) | Drawn | Date | | CODE 17B450--04 <small>This drawing is property of company ZILMET s.p.a. All rights reserved.</small> |
| | GIBIN G. | 20/06/2012 | | |
| | Checked | Date | | |
| PIROVANO M. | 20/06/2012 | | | |
| Approved | Date | | | |
| S.RI BENETTOLO | 20/06/2012 | | | |