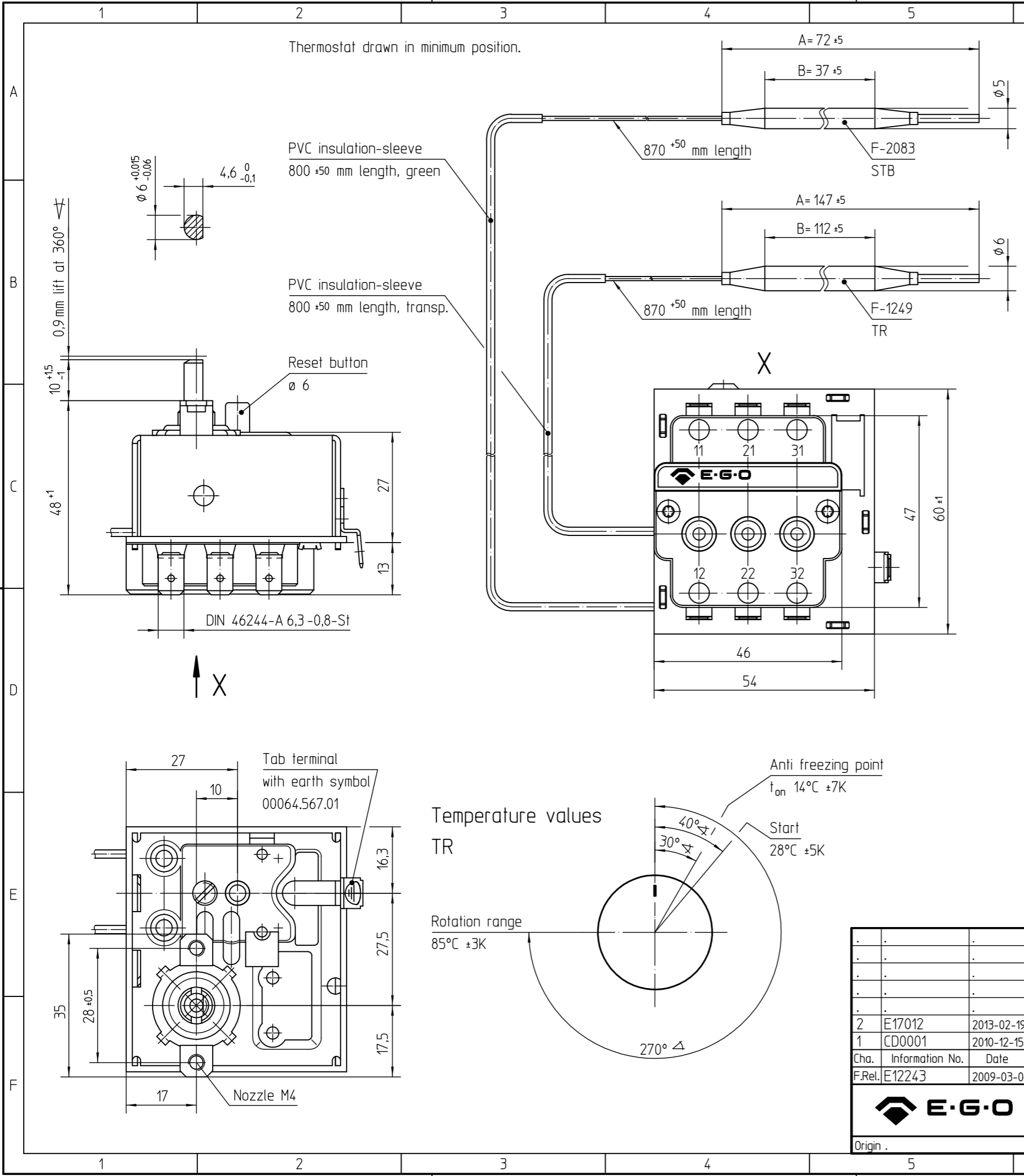


Doc.ID 55.60012.590-101-01-A Doc. status 230 | released
 View date 2017-09-27 Viewed by WINKLERA
 Art.ID 55.60012.590-00/69A SAP Status 2F



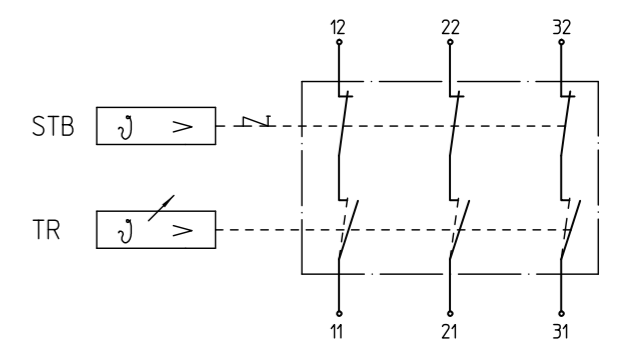
Notes:

Standard atmosphere DIN EN 60068-1 (23±2)°C	TR	STB
Temperatures are OFF values		
Differential (in E.G.O. standard bath):	(11±5,5)K	
Min. sensor temperature:	-50°C	-50°C
Max. sensor temperature (for security reasons):	105°C	160°C
Max. housing temperature (VDE):	80°C	
Min. bending radius of capillary tube:	5 mm	
For application with normal pollution level acc. to EN 60730-1:	Degree of pollution 2	
Action acc. to EN 60730-1:	Typ 2 B	
Customer drawing-No.:		
Correction factor: c = (based on ambient temperature)	0,18	0,45 [K/K]

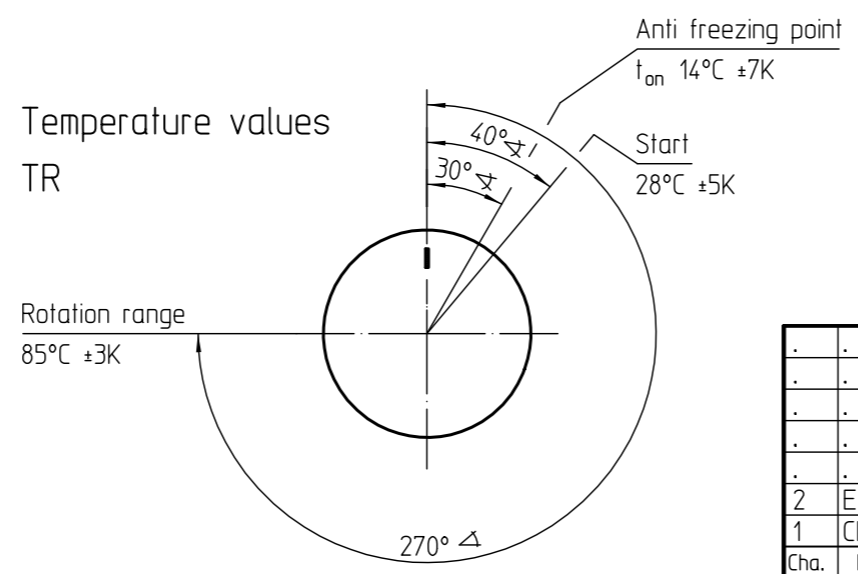
Approved technical data see drawing No 55.60000.000 page 901
 Thermal cut-out switches "Off" at a sensor temperature of: **110°C -10K**

Thermal cut-out function

Contacts open and will be locked, when the calibrated switching temperature will be exceeded. On sufficient cooling down of the temperature sensor it can again be switched-in by putting the reset button.
 The contacts further open with locking, when the hydraulic sensor system becomes leaky or the temperature sensor will be cooled down under -10°C. In the last case bring sensor temperature to 20°C and putt the reset button.



Can also be closed in OFF-position



This document is exclusively committed to you for the agreed purpose. Any kind of duplication, utilization or communication of its content is prohibited, if not expressly conceded otherwise. Violators are committed to pay compensations. Any claims of existing or future property rights remain unaffected.				Blank No. .	EN Mat.No. .	Scale Unit mm				
				Material .		Scale 1:1				
				Surface Texture ISO 1302						
				General Tolerances ISO 2768-v						
2	E17012	2013-02-19	CAD	Date	Name	Designation				
1	CD0001	2010-12-15	Create.	2009-03-05	POSOVSKY	EGO Thermostat+Thermal cut-out				
Cha.	Information No.	Date	Proc.	2013-02-19	SCHUHMAM	.				
F.Rel.	E12243	2009-03-05	Rel.	2013-02-19	KESSELBG	.				
				Drawing No.	Sh.No.	Ver.	StaF.	Sheets	Doc.	Ex.Doc.
				55.60012.590	101	1	F	1	.	.
Origin .				Repl.for .	Repl.by .	Ref.	RM			