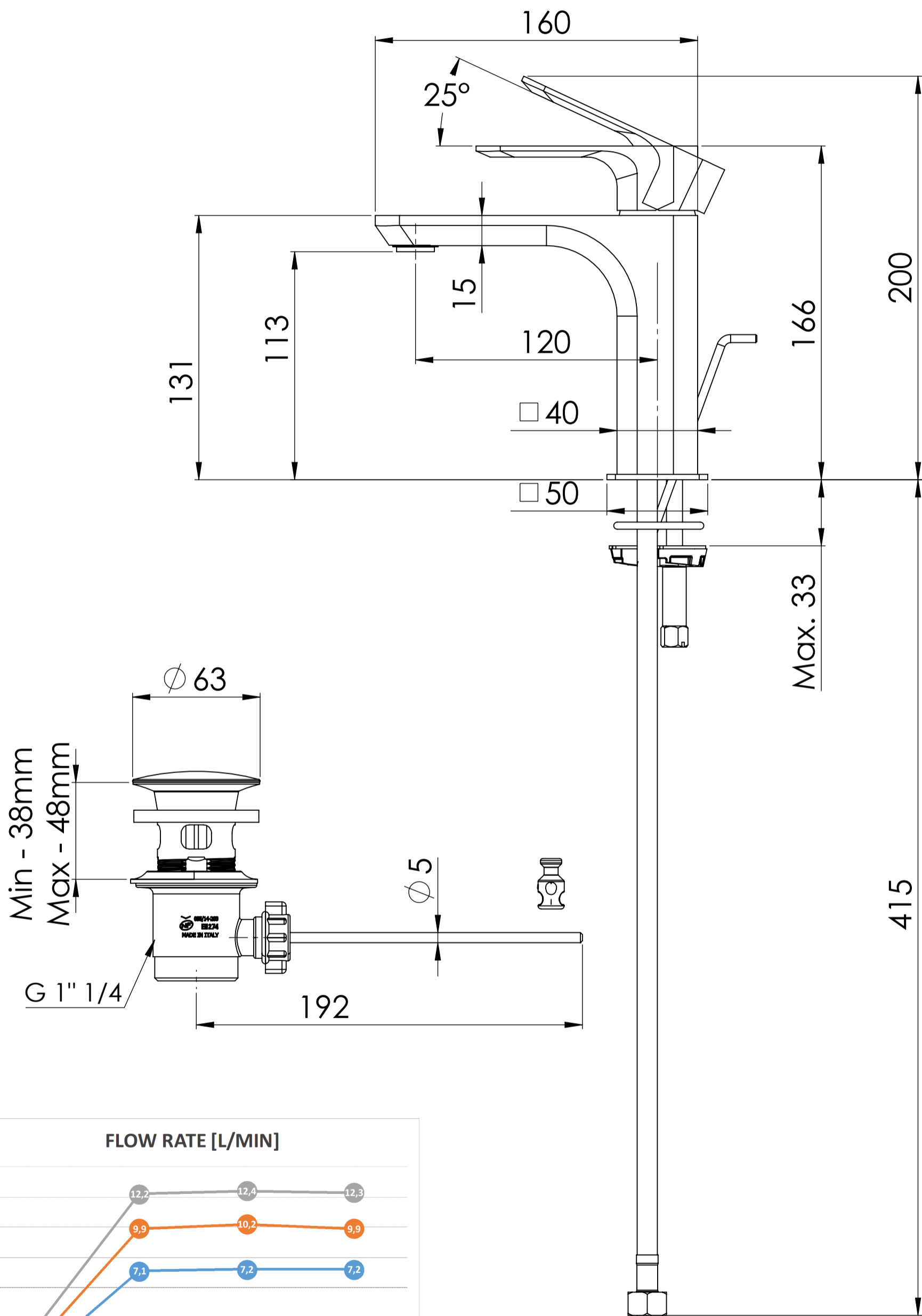


Num. articolo	cod. REMER	cod. DANIEL
1	W50	A821
2	CAW10	CAW10
3	NGH	NGHT
4	83Z40	A803FLAT
5	MATA	TA630
6	TAMAD	TAMAD
7	D10BA	D10BACR
8	FISA10	FISDV605
9	TA605AS	TA605AS
10	95XG80	95XG80
11	A9705010DVGW	A9705010DVGW
12	83FLC	A803KEYFLBA

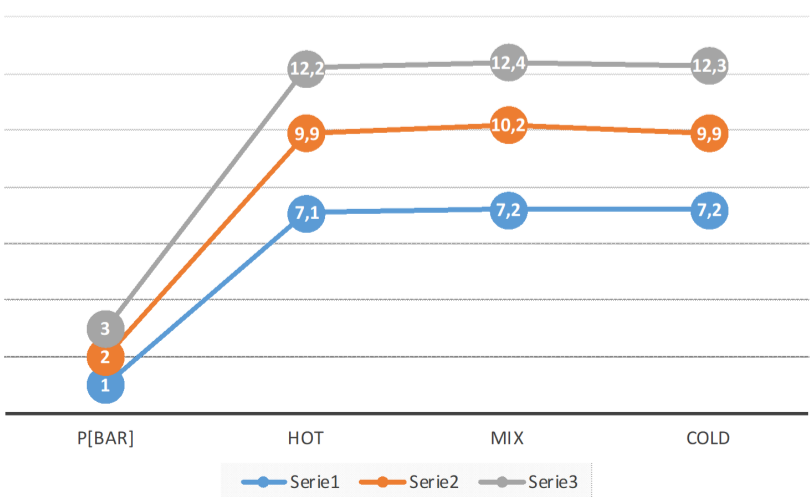
Data: 28-05-2024

Cod. **93 064 47**

Apice  
A



FLOW RATE [L/MIN]



Data: 24/07/2015

Cod. : 93 064 47

Apice  
A