



# MAGNA3

Further product documentation



[net.grundfos.com/qr/i/98091805](http://net.grundfos.com/qr/i/98091805)



MAGNA3



MAGNA3 D





MAGNA3 F



MAGNA3 D F





Max. 95 % RH  
IPX4D



Min./Max.  
-10 °C – +110 °C



PN 6:6 bar / 0.6 MPa  
PN 10:10 bar / 1.0 MPa  
PN 16:16 bar / 1.6 MPa

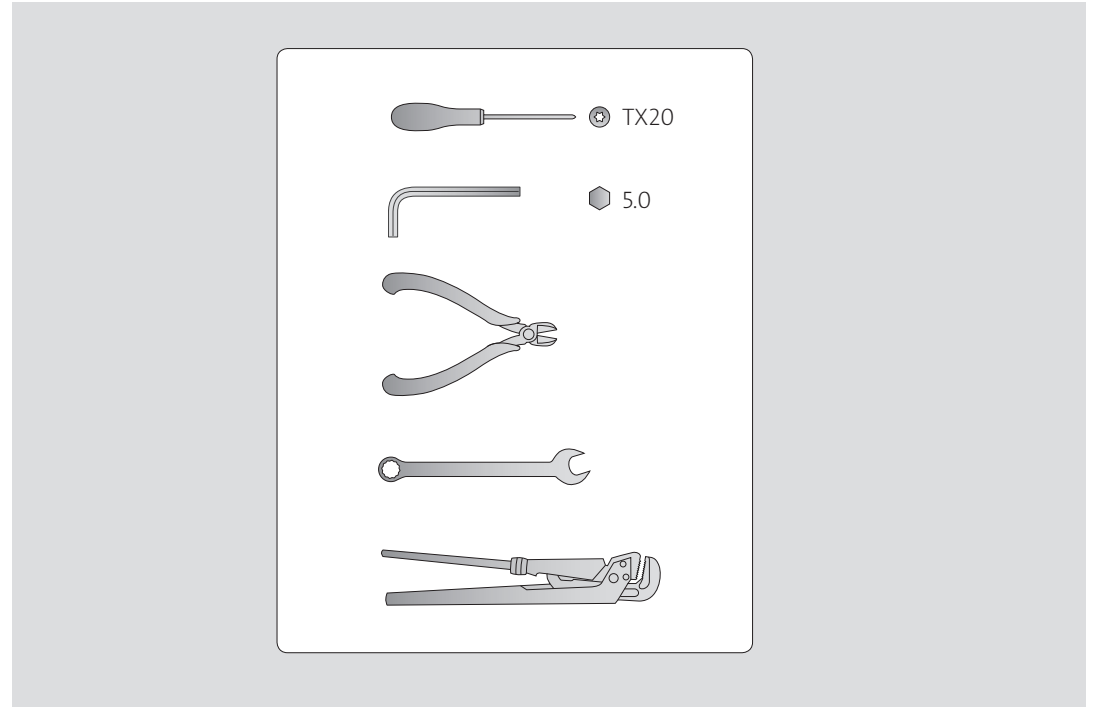
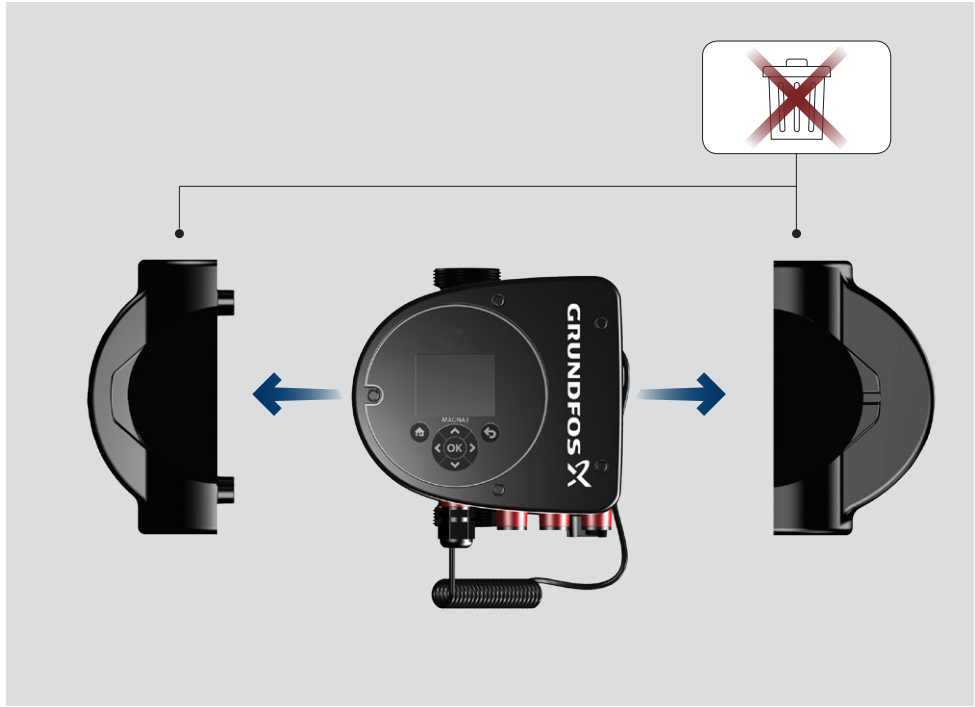


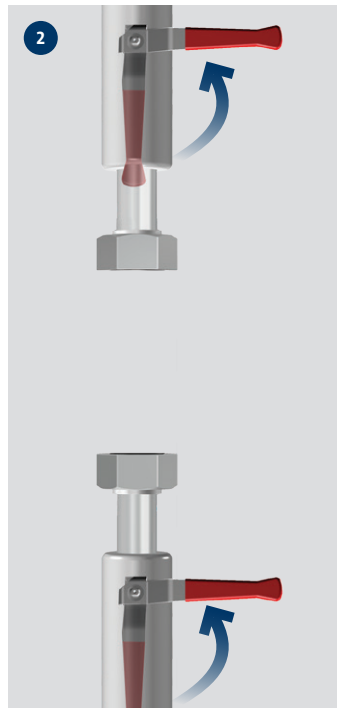
Min./Max.  
0 °C – +40 °C

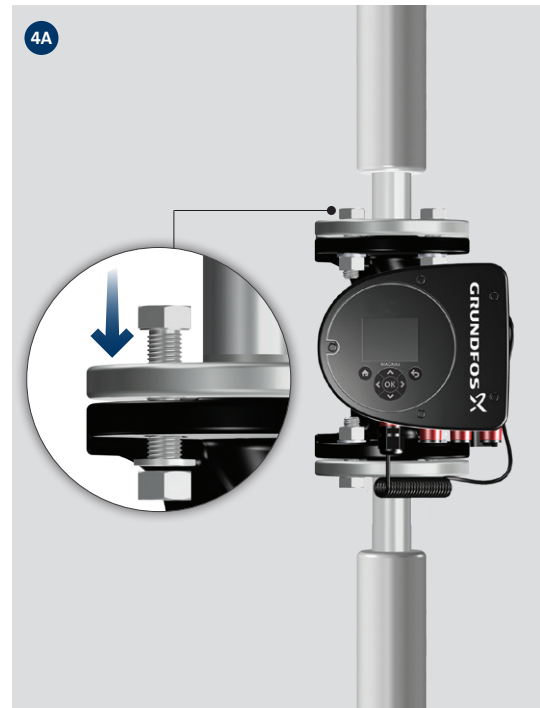


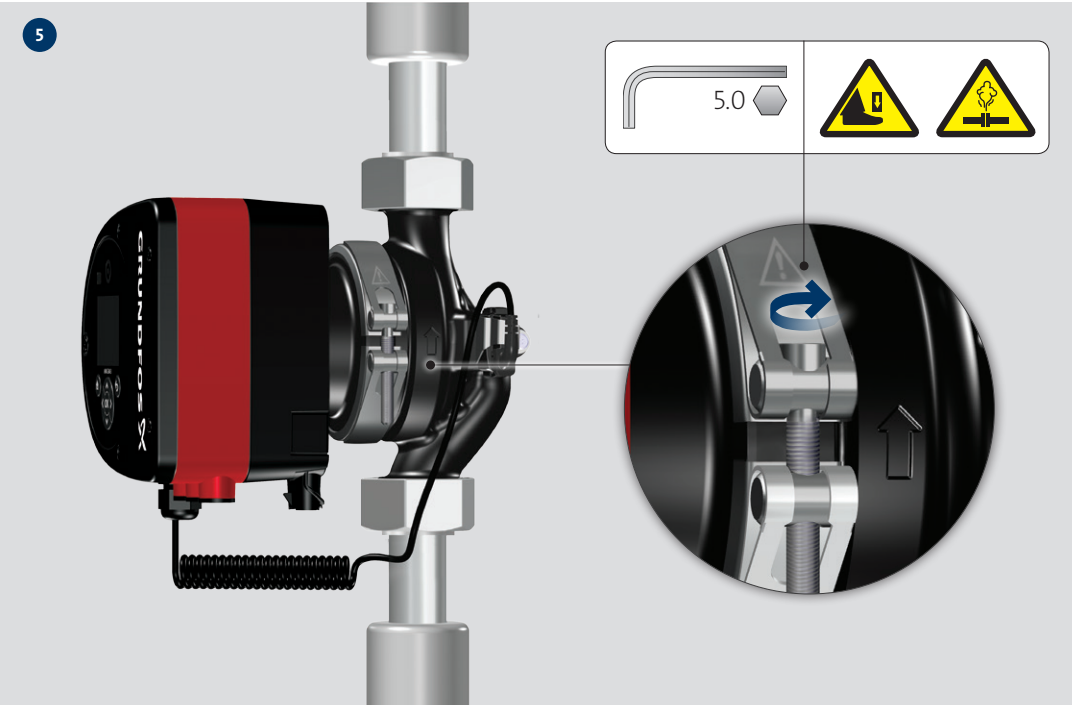
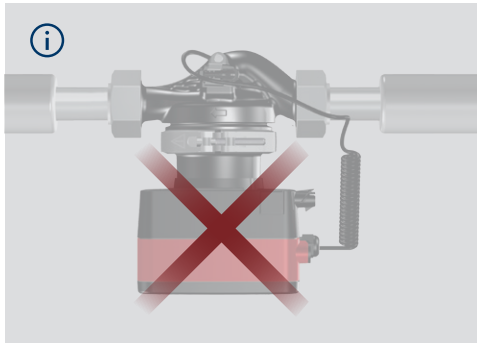
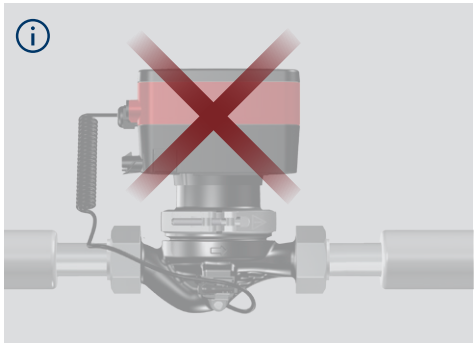
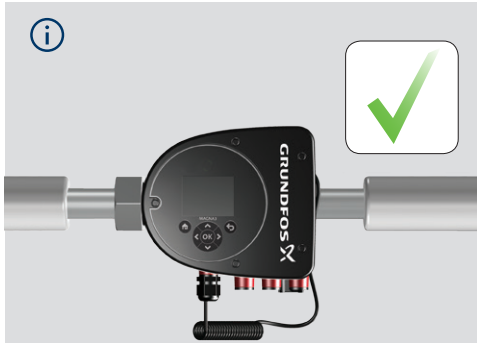
< 43 dB(A)



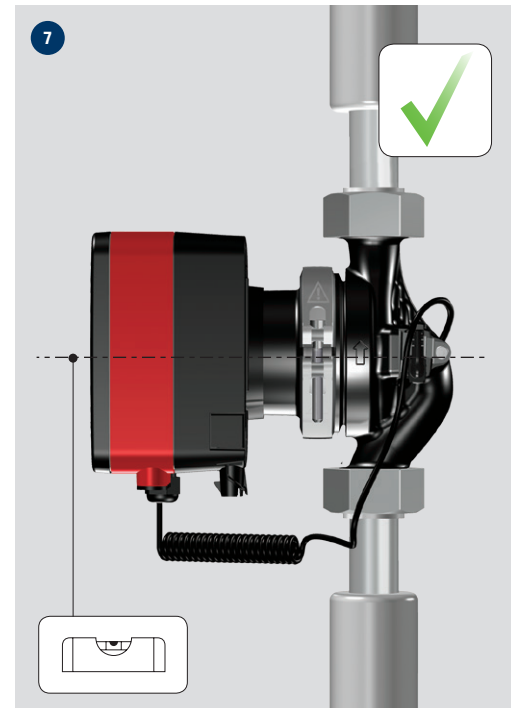
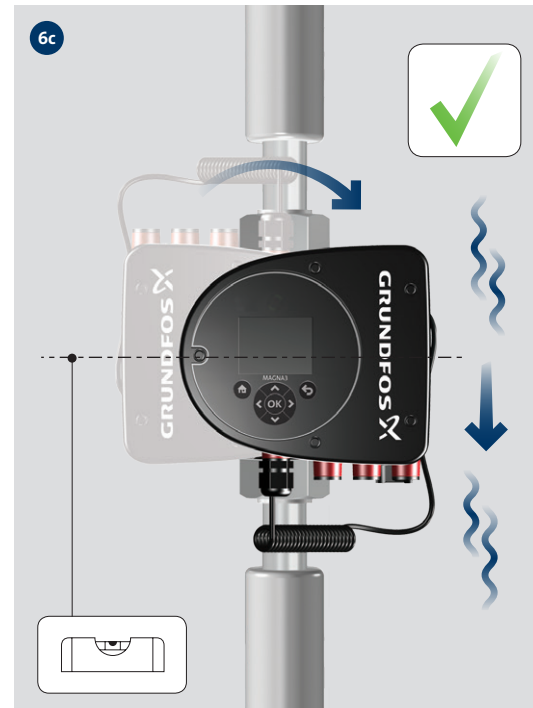
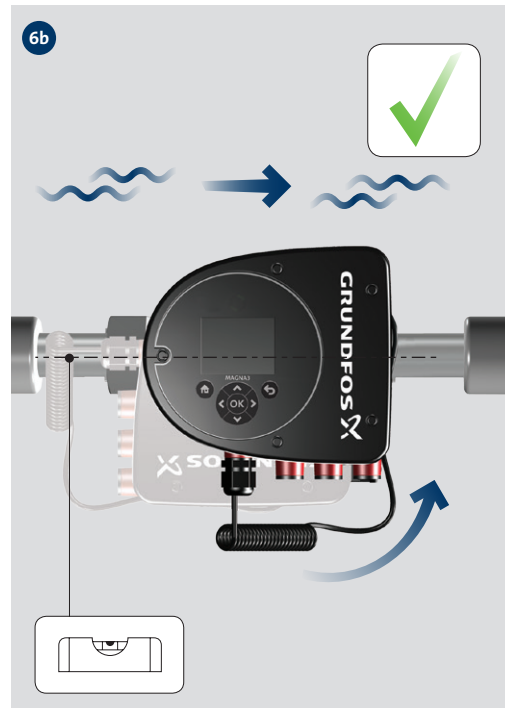
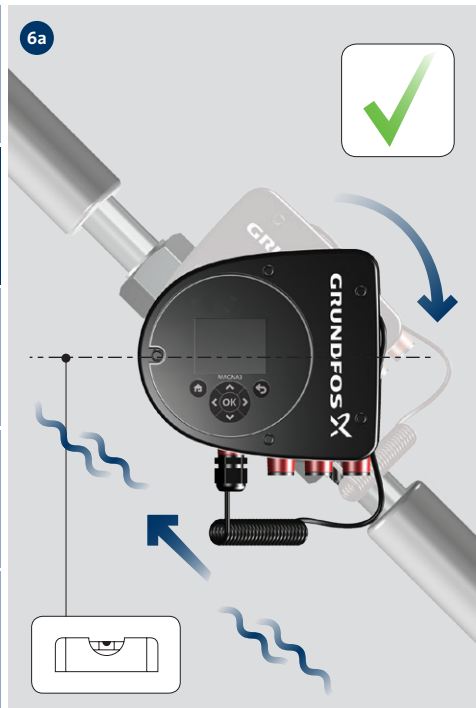






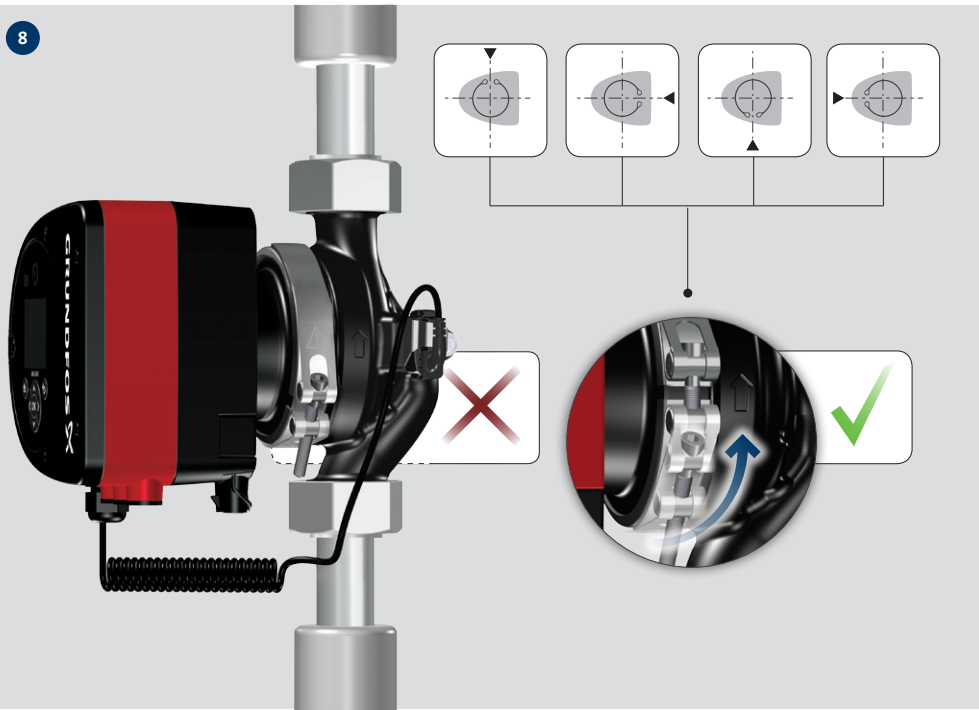




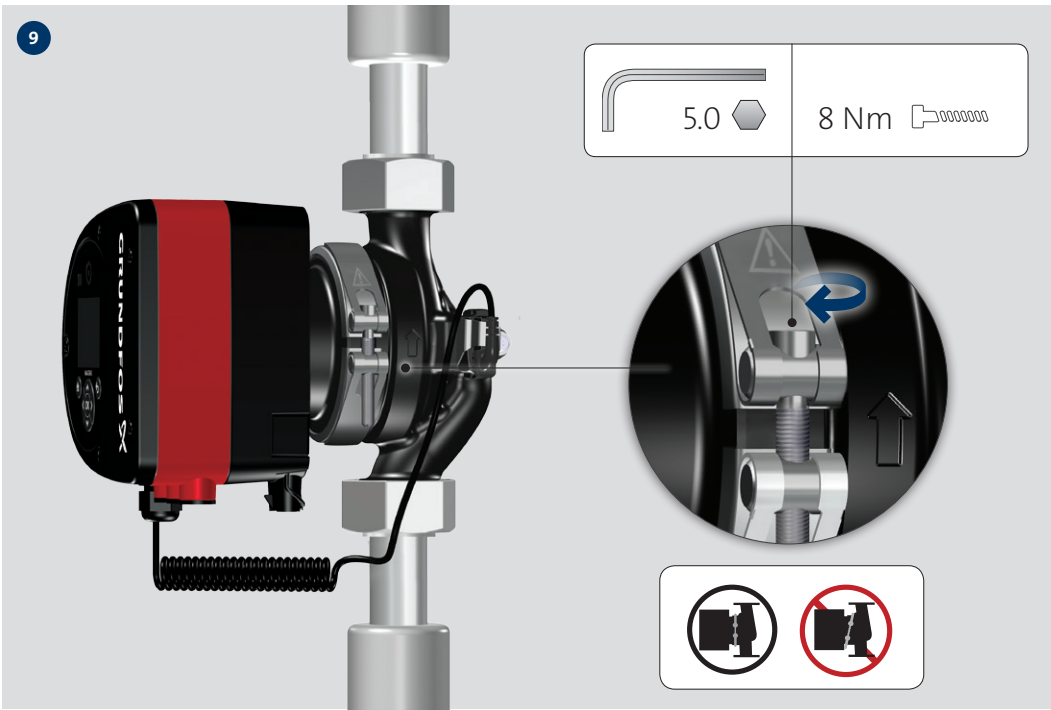




8

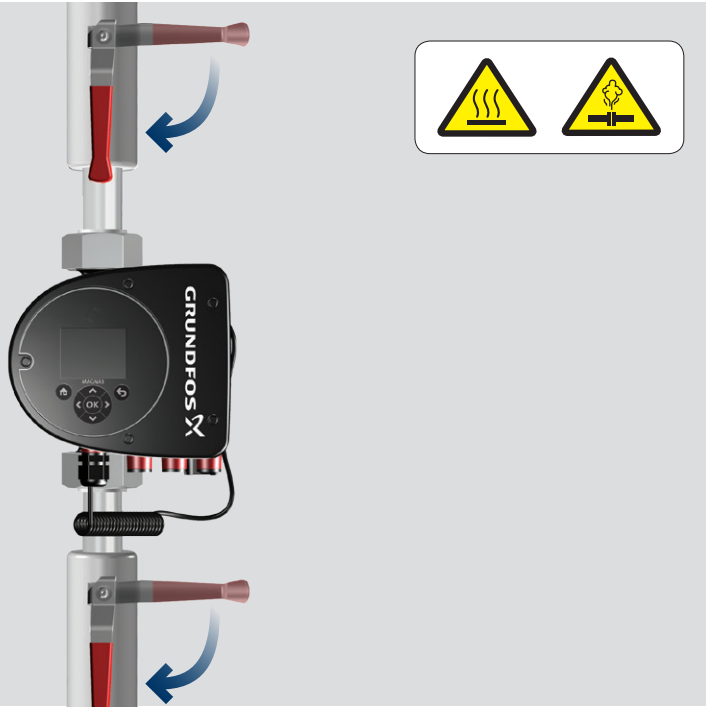


9

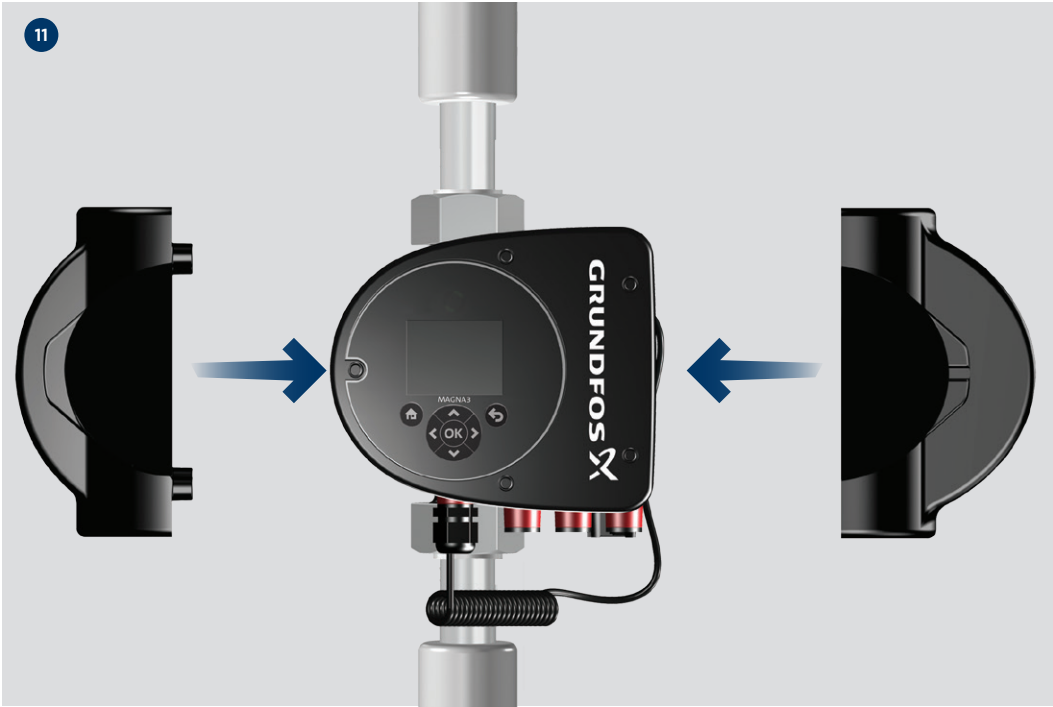


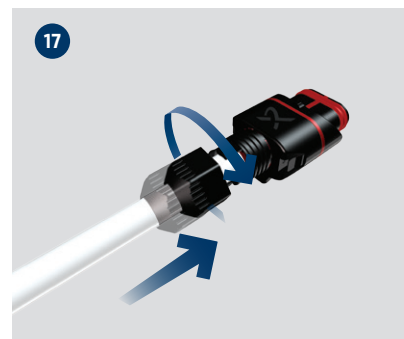
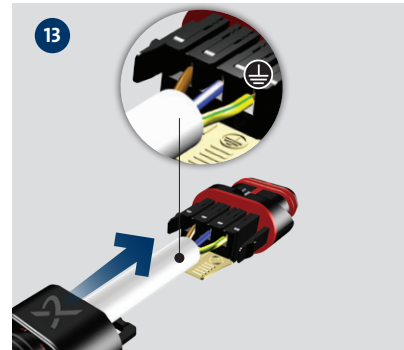
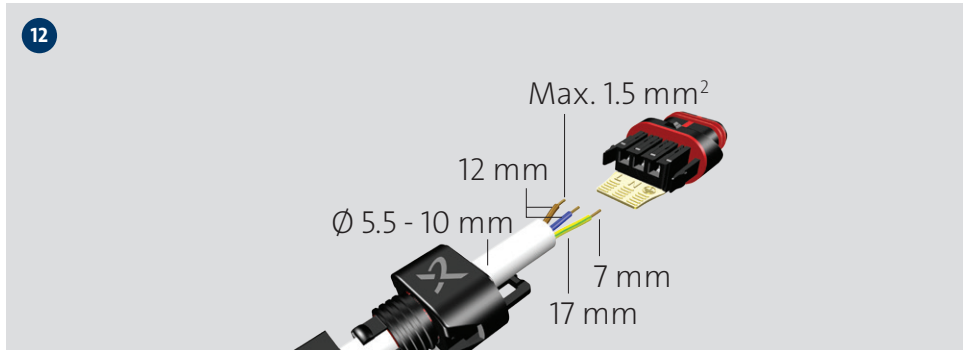


10



11







19

1x 230 V ± 10 %  
~ 50/60 Hz ⚡



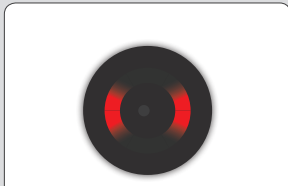
i



**Power cycle**  
Max. 4 starts  
per 60 minutes



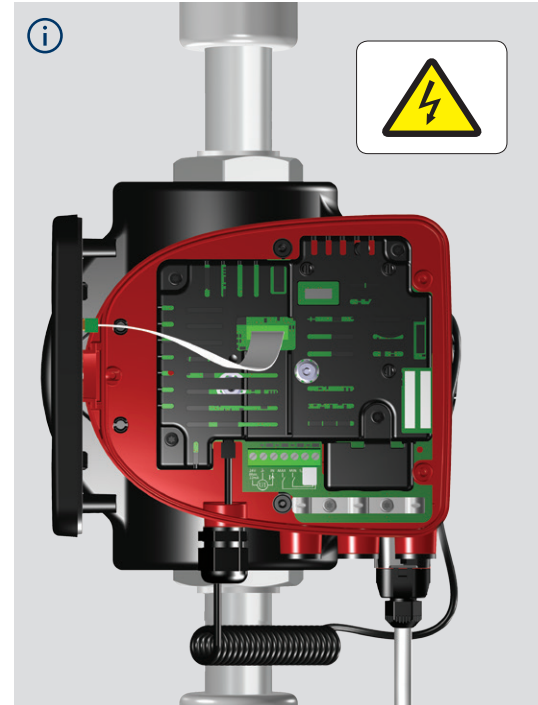
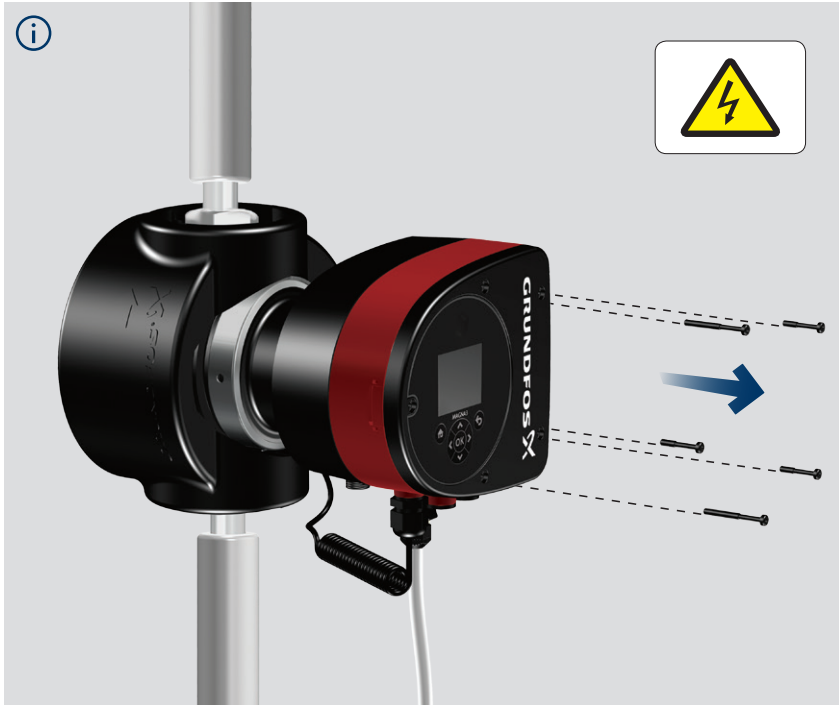
i

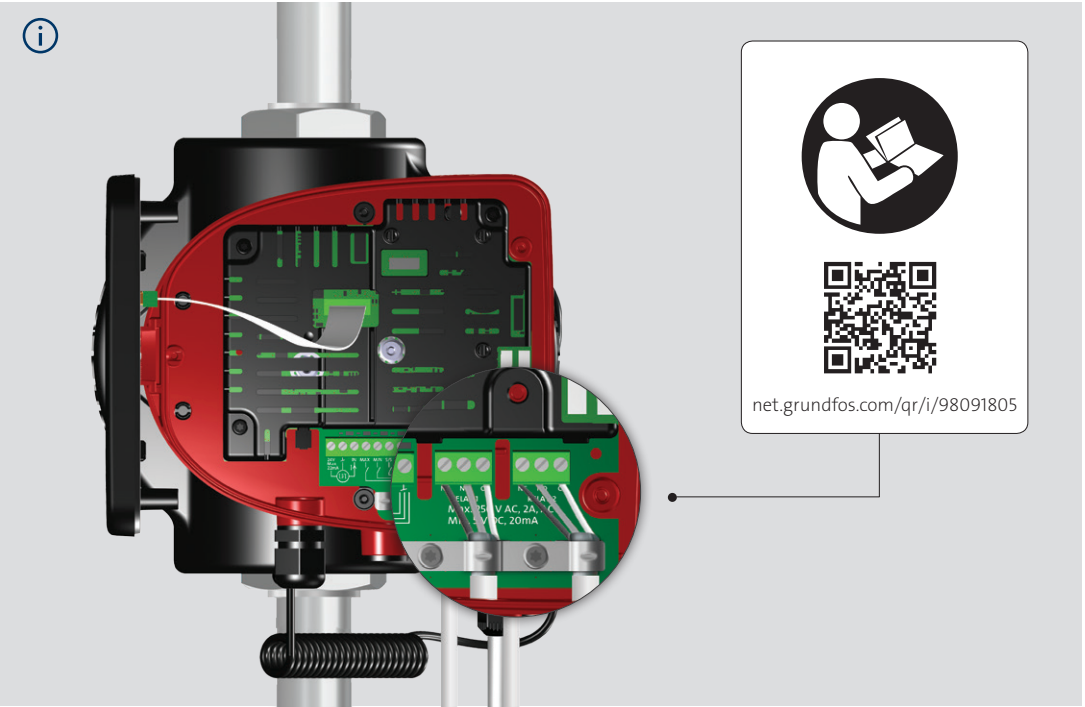
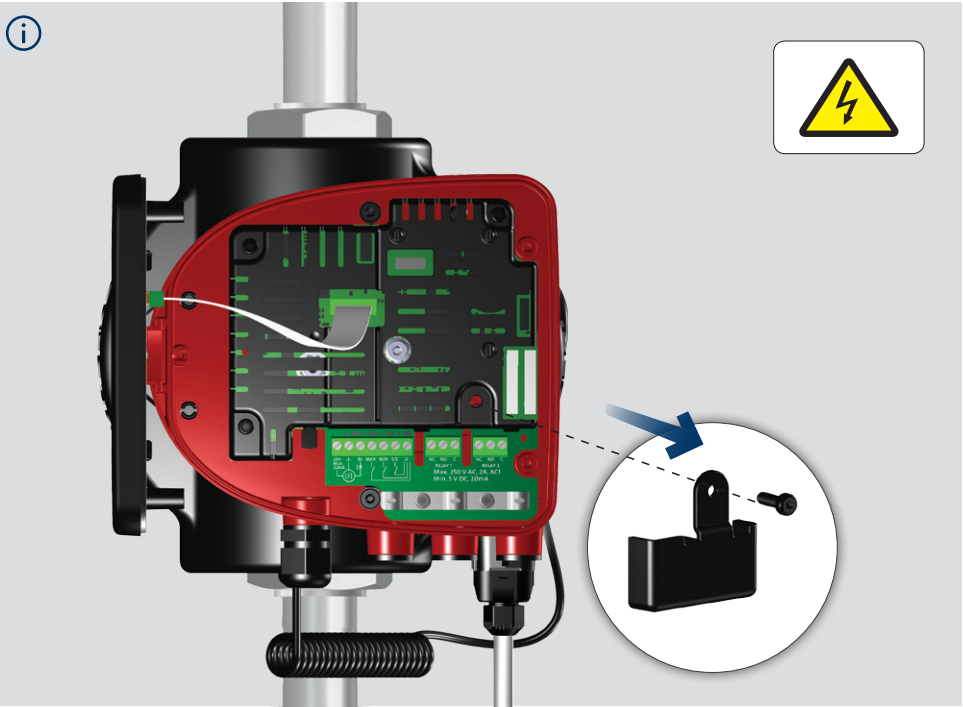


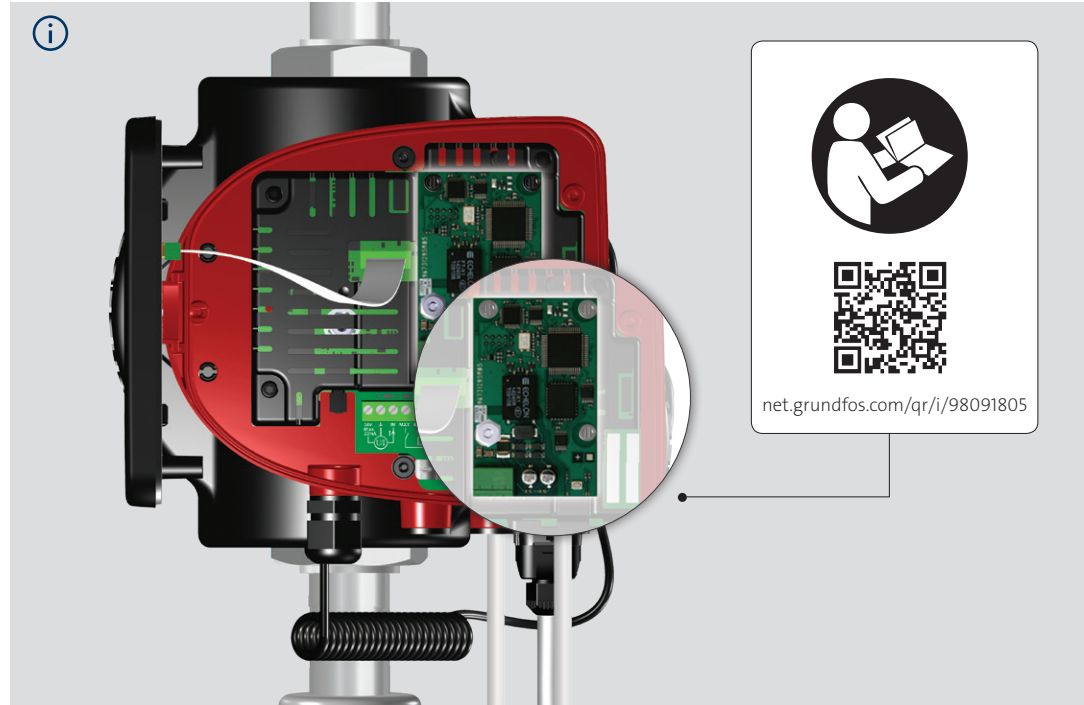
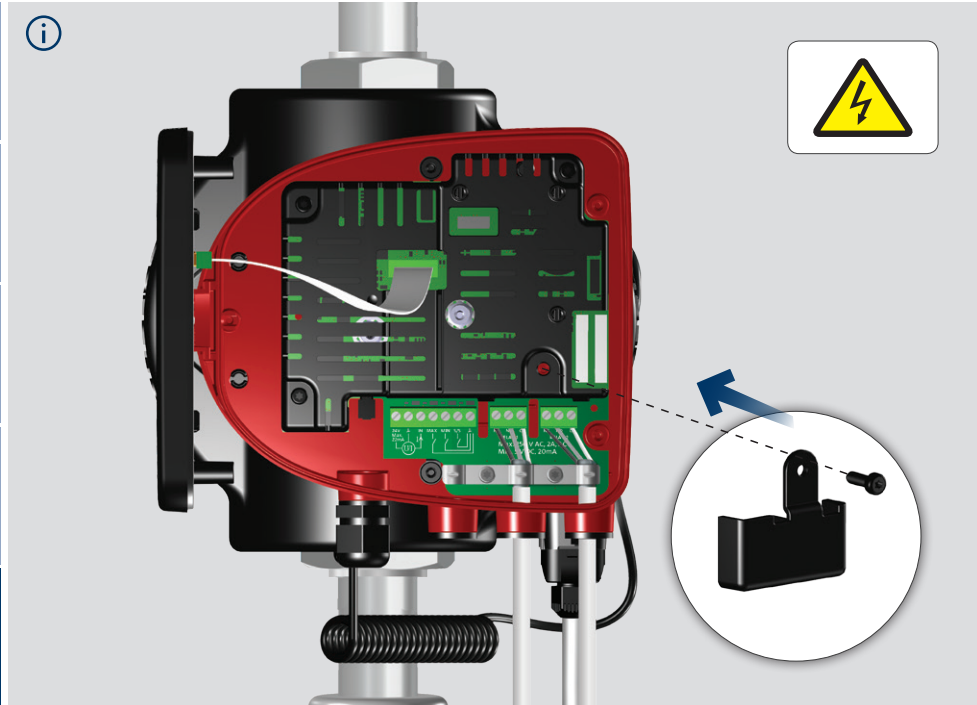
Further product documentation



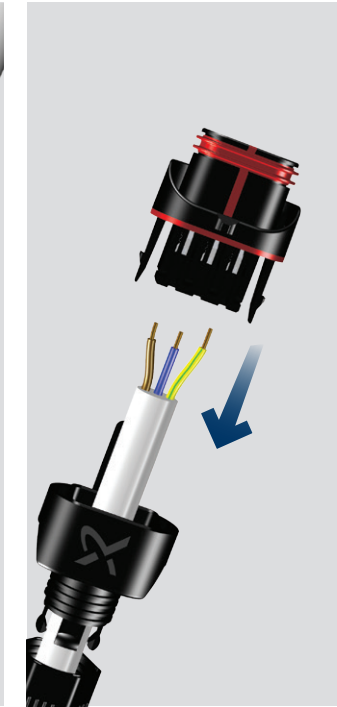
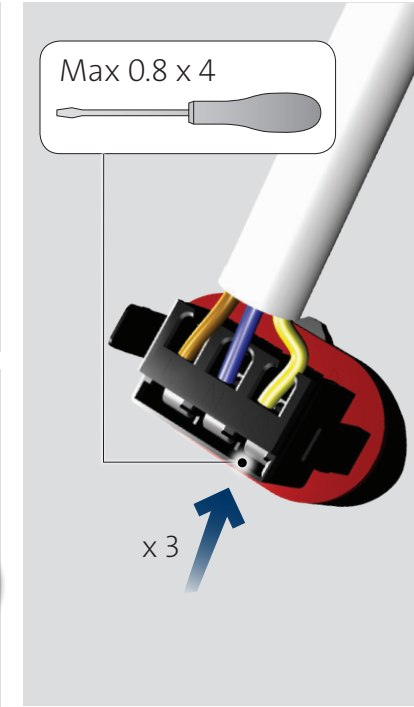
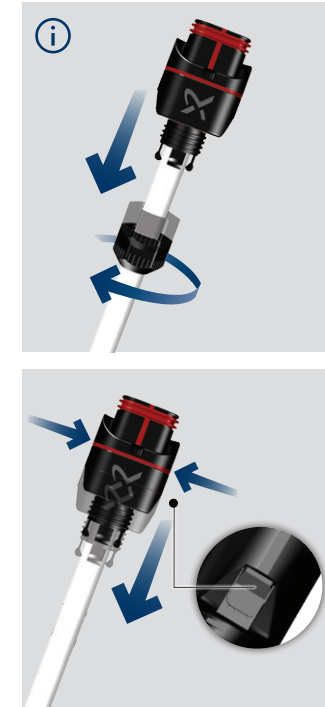
[net.grundfos.com/qr/i/98091805](https://net.grundfos.com/qr/i/98091805)













---

---

---

---

---

---

---

---

---

---

---

---

---

---

---

---

---

---

---

---

---

---

---

---

Installation date: \_\_\_\_\_

Installer:

---

---

---

---

98474143 0317

ECM: 1187410