

DZT

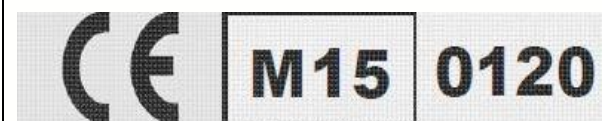
Deutsche Zähler Technik



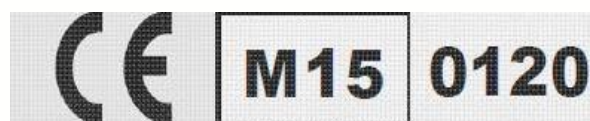
DZT 6002 – 230V 5/45 A (1) LCD 5+2 MID

Stromarbeitsbereich	Current range	0,25 - 5(45)A
Spannungsarbeitsbereich	Voltage range	230V AC, ±20%
Impulsausgang	Impulse output	1
Genauigkeitsklasse	Accuracy class	B
Frequenz	Frequency	50Hz ±10%
Display	Display	LCD 5+2=99999,99kWh
LCD Gesamtenergie	LCD Total Energy	Bezug/Forward + Lieferung/Reverse
Arbeitstemperatur	Temperature range	-25°C to 55°C
Normen	Standards	50470-1/3
Eigenverbrauch	Power of consumption	≤8VA ≤0,4W
Breite	Width	1TE (18mm)
Impulsausgang	Pulse output	1000 Imp/kWh R _L = 1Wh/Imp R _A = 1Wh/Imp S0-Standard DIN 43864
Impulslänge	Pulse width	80 ms
Max. rel. Luftfeuchte	Max. rel. humidity	75% im Mittel/Average, kurzzeitig/Short time value 95%
LED	LED	Impulse rate=Verbrauch/Usage
Registrierte Harmonische Bereich	Registered harmonics range	0,05 - 0,25kHz
Max. Leiterquerschnitt (mm ²)	Max. terminal wire (mm ²)	12mm ²

Zu Verrechnungszwecken dürfen nur Zähler mit MID- Konformitätserklärung verwendet werden.
Beispiel MID-Kennzeichnung:



To use a meter for a billing purposes, only meters with MID-conformity declaration may be used.
Please find an example of a MID approval sign below:

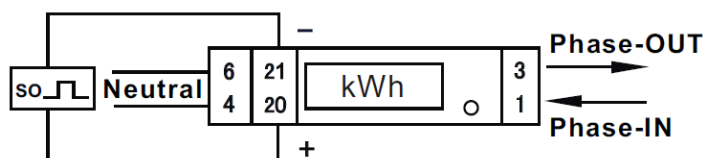


Information zu Ihrer eigenen Sicherheit und den Haftungsbedingungen	Information for your own information and exclusion of liability
<p>Diese Kurzanleitung enthält nicht alle für die Benutzung des Messgeräts anwendbaren Sicherheitsvorschriften. Weiterhin kann es aufgrund von Unternehmensvorschriften, Landes- oder internationalen Gesetzgebungen erforderlich sein, zusätzliche Maßnahmen zu treffen. Wir haben den Inhalt dieser Anleitung überprüft und alle Anstrengungen unternommen, um sicherzustellen, dass diese Beschreibung so genau wie möglich ist. Dennoch können Abweichungen von der Beschreibung nicht ausgeschlossen werden, weshalb eine Haftung jeglicher Art für Fehler oder Unterlassungen in den dargebotenen Informationen ausgeschlossen wird.</p>	<p>This short manual does not contain every applicable safety regulation for using this meter. Also it might be required because of company, local government regulations or (inter)national laws to take additional measures. We have checked the contents of this manual and every effort has been made to ensure that the descriptions are as accurate as possible. However, deviations from the description cannot be completely ruled out, so that no liability can be accepted for any errors or omissions in the information given.</p>

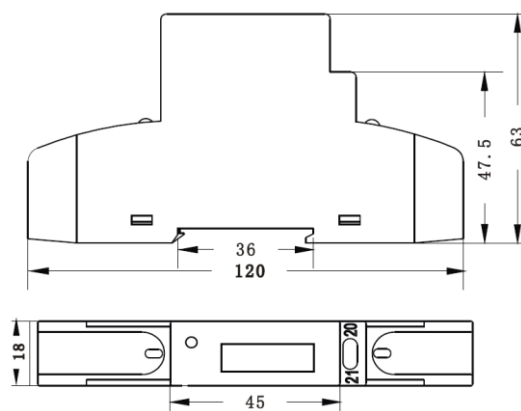
Qualifiziertes Personal	Qualified personnel
<p>Die Installation und der Betrieb des in diesem Handbuch beschriebenen Gerätes darf nur durch qualifiziertes Personal erfolgen. Nur Personen, die für die Installation, den Anschluss und die Benutzung des Gerätes autorisiert wurden, sowie über entsprechenden Kenntnisse über Kennzeichnung und Erdung von Elektroinstallationen verfügen, sind hierzu gemäß den örtlichen (Sicherheits-) Vorschriften berechtigt und werden als qualifiziertes Personal im Sinne dieser Anleitung erachtet.</p>	<p>Installation and operation of the device described in this manual may only be performed by qualified personnel. Only people that are authorized to install, connect and use this device, who have the proper knowledge about labeling and grounding electrical equipment and circuits and can do so in accordance with local (safety) regulations, are considered qualified personnel in this manual.</p>

Technische Unterstützung	Technical support
<p>Falls Sie Fragen zu einem unserer Produkte haben, wenden Sie sich bitte an Ihren lokalen Anbieter</p>	<p>In case you have any questions about our product, please contact your local supplier.</p>

Achtung: Gehäuse ist versiegelt, nicht öffnen! Keine Garantieansprüche bei beschädigtem Siegel oder geöffnetem Gehäuse	Attention: Case is sealed, do not open the meter! No warranty if case is opened or warranty seal is removed.
---	---



- 1/3 Phase line in/out „L“
- 4/6 Neutral line in/out „N“
- 20/ 21 Pulse output contacts (S0)





We,
Inepro Metering BV

(supplier's name)

Pondweg 7
2153 PK Nieuw-Venep
The Netherlands

(supplier's address)



declare under our sole responsibility that the products:

DZT 6002

Single module DIN rail Watt Hour Meter

(Name, type or model, batch or serial number, possibly source and number of items)

to which this declaration relates in conformity with the following European harmonized and published standards at date of this declaration:

IEC EN 50470

(Title and or number and date of issue of the applied standard(s))

Following the provisions of the Directives (if applicable):

EMC-directive : 89/336/EC

These conclusions are based on the test reports done by CMI with report numbers : TCM 221/13- 5066

This declaration of Conformity is suitable to the European Standard EN 45014 General Criteria for Supplier's Declaration of Conformity. The basis for the criteria has been found in international documentation, particularly in ISO / IEC, Guide 22, 1982, information on manufacturer's Declaration of Conformity with standards or other technical specifications

Nieuw-Venep, 2013, June 5

Place and date of issue

D. van der Vaart

Name of responsible for CE-marking

Declaration of Conformity

We
Inepro Metering BV

Of

Inepro Metering BV
Pondweg 7
2153 PK Nieuw Venep
The Netherlands

Ensure and declare that the apparatus:

DZT 6002

With the measurement range

230V, 5(45)A/5(32A), 5(50)A, 50Hz

are in conformity with the type as described in the

EC-type examination certificate TCM 221/13 -5066

and satisfy the appropriate requirements of the Directive 2004/22/EC.

June 5, 2013

Daan van der Vaart



Český metrologický institut
Okružní 31, 638 00 Brno

tel. +420 545 555 111, fax +420 545 222 728, www.cmi.cz



EC-TYPE EXAMINATION CERTIFICATE

Number: TCM 221/13 - 5066

Page 1 from 5 pages

In accordance: with Directive 2004/22/EC of the European Parliament and of the Council as amended implemented in Czech Republic by Government Order No. 464/2005 Coll. as amended that lays down technical requirements on measuring instruments.

Manufacturer: Inepro Metering BV
Pondweg 7
2153 PK Nieuw Venep
The Netherlands

For: active electrical energy meter- single phase
type: 6002
Accuracy class: A or B
mechanical environment class: M1
electromagnetic environment class: E2
temperature range: -25 °C...+55 °C

Valid until: 30 May 2023

Document No: 0511-CS-A030-13

Description: Essential characteristics, approved conditions and special conditions, if any, are described in this certificate.

Date of issue: 31 May 2013

Certificate approved by:



RNDr. Pavel Klenovský

This certificate was issued according to module B - type examination according to annex B to Directive 2004/22/EC of the European Parliament and of the Council or point 3 of annex 2 to Government Order No. 464/2005 Coll., respectively.