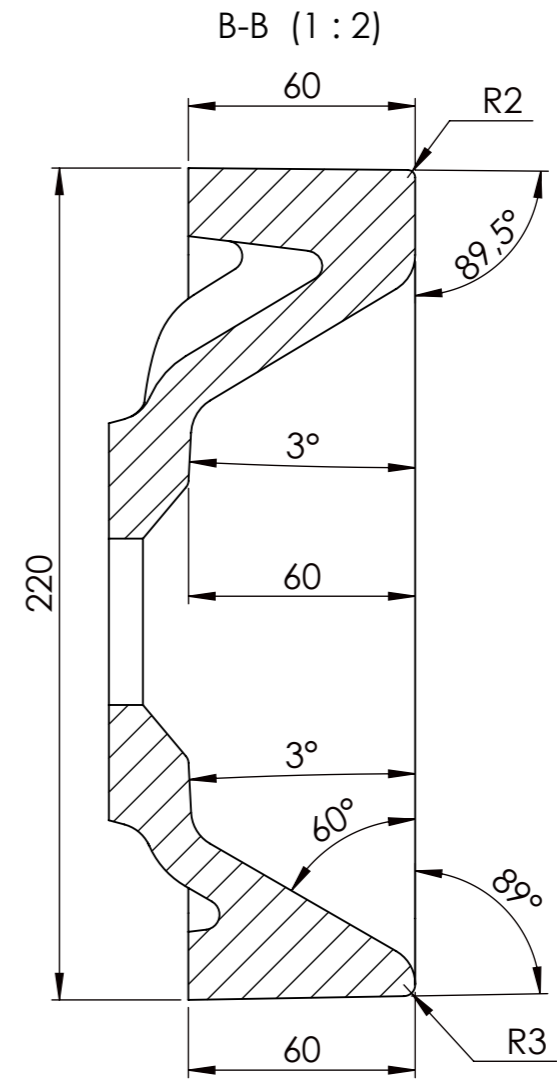
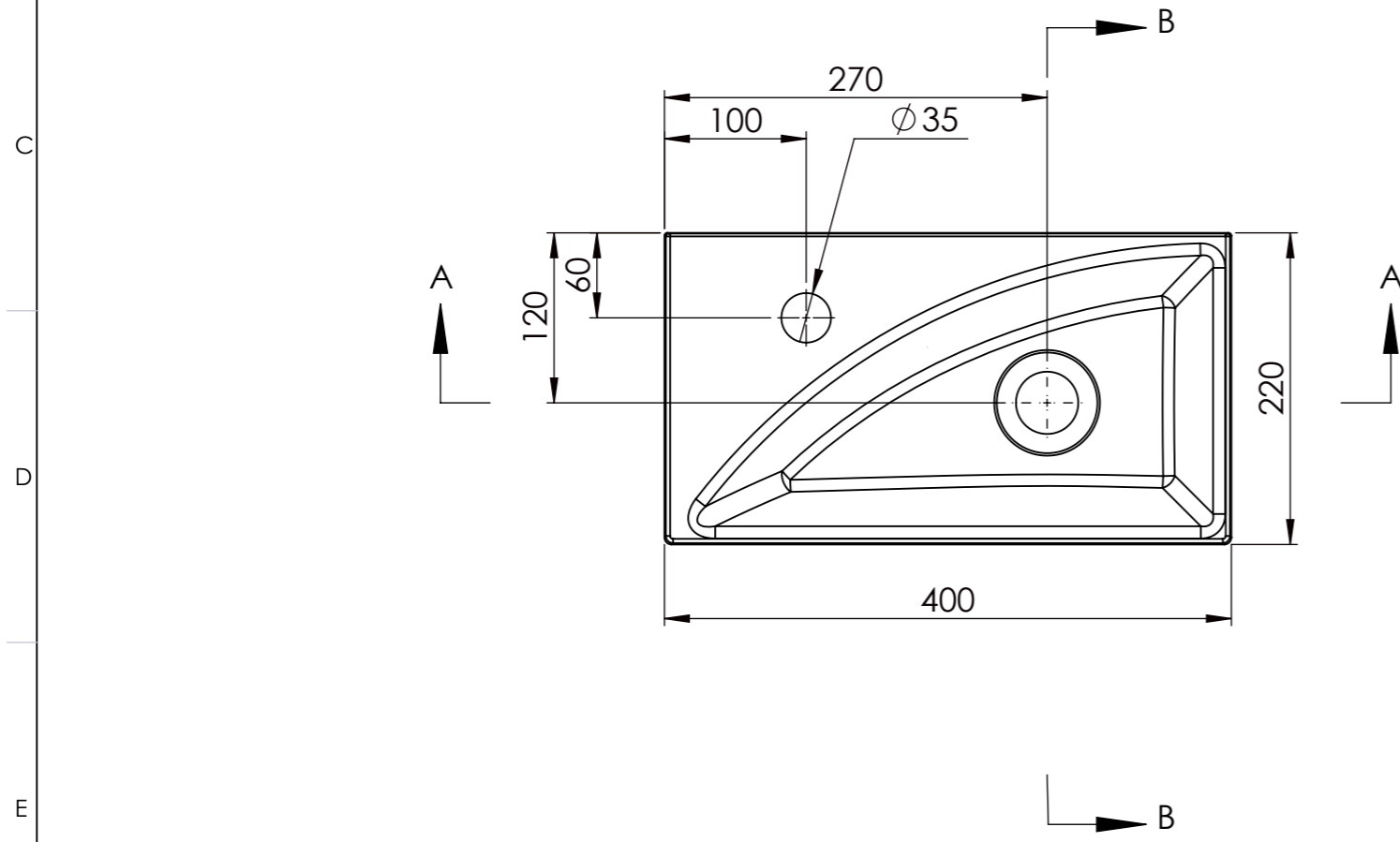
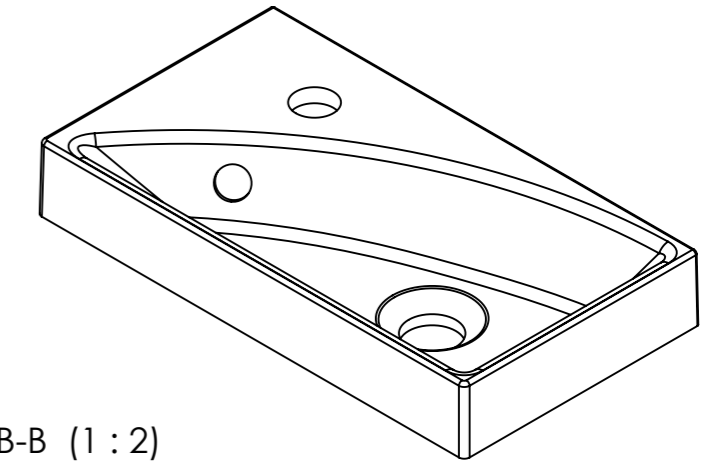
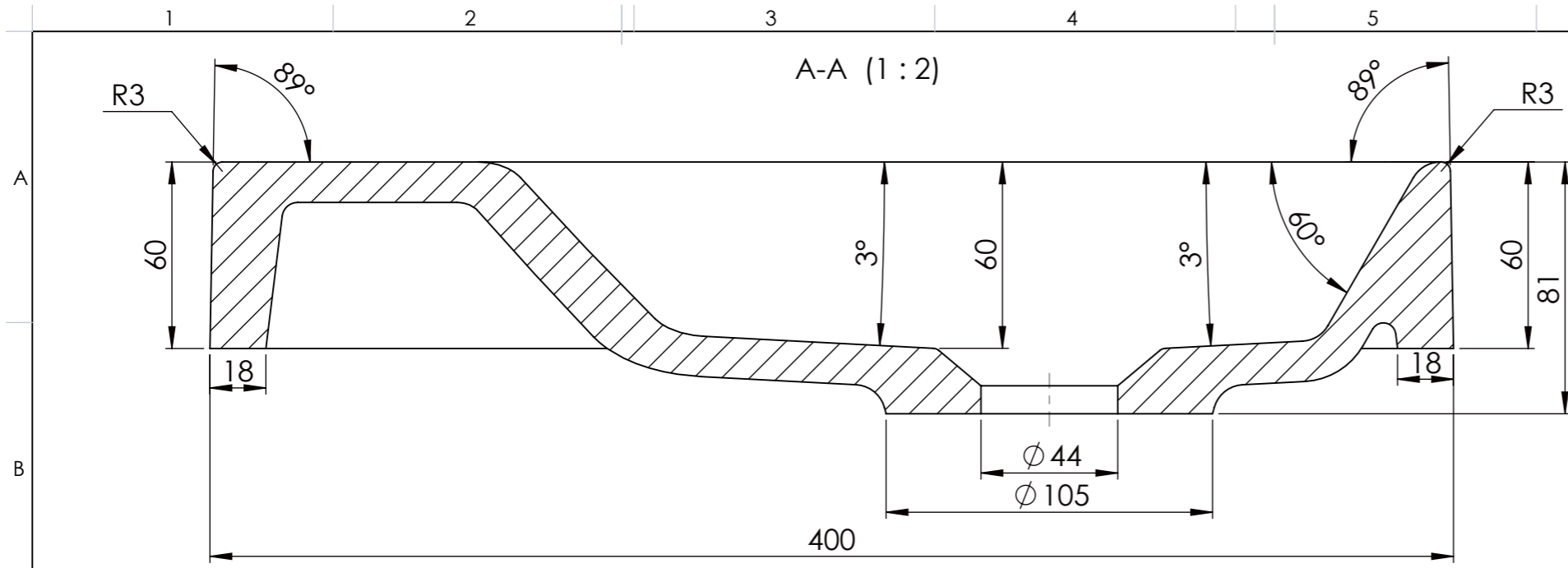


Rev	Design Change Note	Author	Date
001	First issue	KW	2017-01-23



Tolerance length	+3/-0 mm	Konstruerad Av	Ritad Av	Skapad Datum	Godkänd Av	Tolerans Length (mm)	Skala	
Tolerance length granite	+1.5/-1.5 mm	KryststofN	KryststofN	2011-06-24	KryststofN	+3/-0	1:5	
Tolerance Taphole Location	+3/-3 mm	Projekt ID	Kund	Titel / Benämning		Edanu 400R		
Tolerance overflowhole Location	+3/-3 mm	3603	WS WEINMANN	MM Art.nr		400 x 220 / 60		
Tolerance plane bending	+1.5/-1.5 mm	Agare	Client ID		Rev	Blad	1.0	

This document must not be copied without our written permission, and the contents thereof must not be imparted to a third party nor be used for any unauthorized purpose. Contravention will be prosecuted.