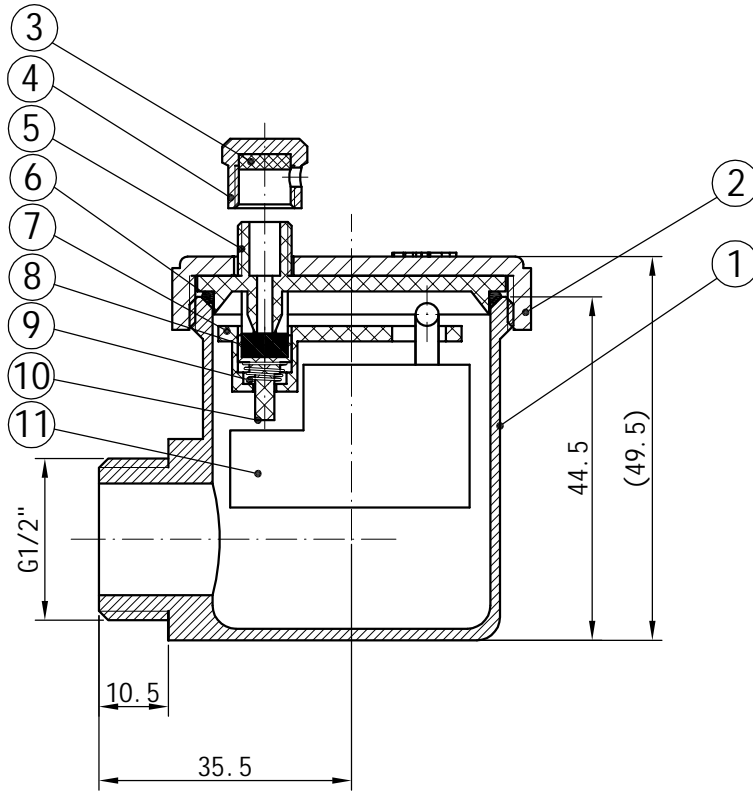


11	The floating ball	Plastic
10	Plastic core	Plastic
9	Spring	S. S
8	Gasket	NBR
7	Springboard	Plastic
6	O-ring	NBR
5	Cover	Plastic
4	The exhaust cap	Brass
3	Gasket	NBR
2	Cap	Brass
1	Body	Brass
ON.	Part Name	Material



GmbH

Code

JL-5102

Description

8900037