

600-I/  
690-I

**RIDGID**<sup>®</sup>

EN	P.	1
FR	P.	15
ES	P.	31
DE	P.	47
NL	P.	63
IT	P.	79
PT	P.	97
SV	P.	115
DA	P.	131
NO	P.	147
FI	P.	163
PL	P.	179
CZ	P.	195
SK	P.	211
RO	P.	227
HU	P.	243
EL	P.	259
HR	P.	275
SL	P.	291
SR	P.	307
RU	P.	323
TR	P.	341
KK	P.	357



**RIDGE TOOL COMPANY**

## Table of Contents

<b>Recording Form for Machine Serial Number</b> .....	1
<b>Safety Symbols</b> .....	2
<b>General Power Tool Safety Warnings</b>	
Work Area Safety .....	2
Electrical Safety .....	2
Personal Safety .....	3
Power Tool Use and Care .....	3
Service .....	3
<b>Specific Safety Information</b>	
Power Drive Safety .....	4
<b>Description, Specifications and Standard Equipment</b>	
Description .....	4
Specifications .....	5
Standard Equipment .....	5
<b>Pre-Operation Inspection</b> .....	6
<b>Set-Up and Operation</b> .....	7
Installing Die Heads .....	7
Resisting Threading Forces .....	8
Threading .....	9
Inspecting Threads .....	10
<b>Maintenance Instructions</b>	
Cleaning .....	11
Changing Dies in 11-R Die Heads .....	11
Replacing Brushes in Motor .....	11
<b>Accessories</b> .....	11-12
<b>Machine Storage</b> .....	12
<b>Service and Repair</b> .....	12
<b>Threading Oil</b> .....	12
<b>Disposal</b> .....	12
<b>Troubleshooting</b> .....	13
<b>EC Declaration of Conformity</b> .....	Inside Back Cover
<b>Lifetime Warranty</b> .....	Back Cover

\*Original Instructions - English

# Power Drives

## 600-I/690-I



### **⚠ WARNING!**

Read this Operator's Manual carefully before using this tool. Failure to understand and follow the contents of this manual may result in electrical shock, fire and/or serious personal injury.

#### **600-I/690-I Power Drives**


Record Serial Number below and retain product serial number which is located on nameplate.


Serial  
No.


--	--


## Safety Symbols

In this operator's manual and on the product, safety symbols and signal words are used to communicate important safety information. This section is provided to improve understanding of these signal words and symbols.


 This is the safety alert symbol. It is used to alert you to potential personal injury hazards. Obey all safety messages that follow this symbol to avoid possible injury or death.


 **DANGER** DANGER indicates a hazardous situation which, if not avoided, will result in death or serious injury.


 **WARNING** WARNING indicates a hazardous situation which, if not avoided, could result in death or serious injury.


 **CAUTION** CAUTION indicates a hazardous situation which, if not avoided, could result in minor or moderate injury.


**NOTICE** NOTICE indicates information that relates to the protection of property.


 This symbol means read the operator's manual carefully before using the equipment. The operator's manual contains important information on the safe and proper operation of the equipment.


 This symbol means always wear safety glasses with side shields or goggles when handling or using this equipment to reduce the risk of eye injury.

 This symbol indicates the risk of fingers, hands, clothes and other objects catching on or between gears or other rotating parts and causing crushing injuries.

 This symbol indicates the risk of electrical shock.

 This symbol indicates the risk of machine tipping, causing striking or crushing injuries.

 This symbol means do not wear gloves while operating this machine to reduce the risk of entanglement.

 This symbol means use support device to resist the threading forces, improve control, and reduce the risk of striking, crushing, and/or other injuries.

## General Power Tool Safety Warnings\*

**WARNING**  
**Read all safety warnings, instructions, illustrations and specifications provided with this power tool. Failure to follow all instructions listed below may result in electric shock, fire and/or serious injury.**

**SAVE ALL WARNINGS AND INSTRUCTIONS FOR FUTURE REFERENCE!**

The term "power tool" in the warnings refers to your mains-operated (corded) power tool or battery-operated (cordless) power tool.

### Work Area Safety

- **Keep your work area clean and well lit.** Cluttered or dark areas invite accidents.
- **Do not operate power tools in explosive atmospheres, such as in the presence of flammable**

**liquids, gases, or dust.** Power tools create sparks which may ignite the dust or fumes.

- **Keep children and bystanders away while operating a power tool.** Distractions can cause you to lose control.

### Electrical Safety

- **Power tool plugs must match the outlet. Never modify the plug in any way. Do not use any adapter plugs with earthed (grounded) power tools.** Unmodified plugs and matching outlets will reduce risk of electric shock.
- **Avoid body contact with earthed or grounded surfaces such as pipes, radiators, ranges and refrigerators.** There is an increased risk of electrical shock if your body is earthed or grounded.
- **Do not expose power tools to rain or wet conditions.** Water entering a power tool will increase the risk of electrical shock.

\* The text used in the General Power Tool Safety Warnings section of this manual is verbatim, as required, from the applicable UL/CSA 62841 standard. This section contains general safety practices for many different types of power tools. Not every precaution applies to every tool, and some do not apply to this tool.

- **Do not abuse the cord. Never use the cord for carrying, pulling or unplugging the power tool. Keep cord away from heat, oil, sharp edges or moving parts.** Damaged or entangled cords increase the risk of electric shock.
- **When operating a power tool outdoors, use an extension cord suitable for outdoor use.** Use of a cord suitable for outdoor use reduces the risk of electric shock.
- **If operating a power tool in a damp location is unavoidable, use a Ground Fault Circuit Interrupter (GFCI) protected supply.** Use of a GFCI reduces the risk of electric shock.

### Personal Safety

- **Stay alert, watch what you are doing and use common sense when operating a power tool. Do not use a power tool while you are tired or under the influence of drugs, alcohol, or medication.** A moment of inattention while operating power tools may result in serious personal injury.
- **Use personal protective equipment. Always wear eye protection.** Protective equipment such as dust mask, non-skid safety shoes, hard hat, or hearing protection used for appropriate conditions will reduce personal injuries.
- **Prevent unintentional starting. Ensure the switch is in the OFF-position before connecting to power source and/or battery pack, picking up or carrying the tool.** Carrying power tools with your finger on the switch or energizing power tools that have the switch ON invites accidents.
- **Remove any adjusting key or wrench before turning the power tool ON.** A wrench or a key left attached to a rotating part of the power tool may result in personal injury.
- **Do not overreach. Keep proper footing and balance at all times.** This enables better control of the power tool in unexpected situations.
- **Dress properly. Do not wear loose clothing or jewelry. Keep your hair and clothing away from moving parts.** Loose clothes, jewelry, or long hair can be caught in moving parts.
- **If devices are provided for the connection of dust extraction and collection facilities, ensure these are connected and properly used.** Use of dust collection can reduce dust-related hazards.
- **Do not let familiarity gained from frequent use of tools allow you to become complacent and ignore tool safety principles.** A careless action can cause severe injury within a fraction of a second.

### Power Tool Use and Care

- **Do not force the power tool. Use the correct power tool for your application.** The correct power tool will do the job better and safer at the rate for which it is designed.
- **Do not use power tool if the switch does not turn it ON and OFF.** Any power tool that cannot be controlled with the switch is dangerous and must be repaired.
- **Disconnect the plug from the power source and/or remove the battery pack, if detachable, from the power tool before making any adjustments, changing accessories, or storing power tools.** Such preventive safety measures reduce the risk of starting the power tool accidentally.
- **Store idle power tools out of the reach of children and do not allow persons unfamiliar with the power tool or these instructions to operate the power tool.** Power tools are dangerous in the hands of untrained users.
- **Maintain power tools and accessories. Check for misalignment or binding of moving parts, breakage of parts and any other condition that may affect the power tool's operation. If damaged, have the power tool repaired before use.** Many accidents are caused by poorly maintained power tools.
- **Keep cutting tools sharp and clean.** Properly maintained cutting tools with sharp cutting edges are less likely to bind and are easier to control.
- **Use the power tool, accessories and tool bits etc. in accordance with these instructions, taking into account the working conditions and the work to be performed.** Use of the power tool for operations different from those intended could result in a hazardous situation.
- **Keep handles and grasping surfaces dry, clean and free from oil and grease.** Slippery handles and grasping surfaces do not allow for safe handling and control of the tool in unexpected situations.

### Service

- **Have your power tool serviced by a qualified repair person using only identical replacement parts.** This will ensure that the safety of the power tool is maintained.

## Specific Safety Information

### **⚠ WARNING**

**This section contains important safety information that is specific to this tool.**

**Read these precautions carefully before using the power drives to reduce the risk of electrical shock or serious personal injury.**

### **SAVE THESE INSTRUCTIONS!**

Keep this manual with the machine for use by the operator.

### Power Drive Safety

- **Always use the support device provided with the tool.** Loss of control during operation can result in personal injury.
- **Keep sleeves and jackets buttoned while operating the tool. Do not reach across the tool or pipe.** Clothing can be caught by the pipe or the tool resulting in entanglement.
- **Only one person must control the work process and tool operation.** Additional people involved in the process may result in unintended operation and personal injury.
- **Keep floors dry and free of slippery materials such as oil.** Slippery floors invite accidents.
- **Do not wear gloves while operating the tool. Do not reach across the tool or pipe.** Gloves can be caught by the pipe or the tool resulting in entanglement.
- **Always firmly hold the power drive when threading or backing die head off the pipe to resist threading forces, regardless of support device use.** This will reduce the risk of striking, crushing and other injuries.
- **Follow instructions on proper use of this machine. Do not use for other purposes such as drilling holes or turning winches.** Other uses or modifying this machine for other applications may increase the risk of serious injury.
- **Do not use this power drive if ON/OFF switch is broken.** This switch is a safety device that lets you shut off the motor by releasing the switch.
- **Do not use dull or damaged dies.** Sharp cutting tools require less torque and the power drive is easier to control.
- **Keep handles dry and clean; free from oil and grease.** Allows for better control of tool.

- **Only use RIDGID die heads with RIDGID Power Drives** Other die heads may not fit correctly in the power drive increasing the risk of equipment damage and personal injury.

If you have any question concerning this RIDGID® product:

- Contact your local RIDGID distributor.
- Visit RIDGID.com to find your local RIDGID contact point.
- Contact Ridge Tool Technical Service Department at [rtctechservices@emerson.com](mailto:rtctechservices@emerson.com), or in the U.S. and Canada call (800) 519-3456.

## Description, Specifications and Standard Equipment

### Description

The RIDGID® Model 600-I and 690-I Power Drives are double insulated drives that provide power for threading pipe and conduit. Forward and Reverse rotation can be selected with a slide switch while ON/OFF is controlled by a two-step momentary contact switch.

The 600-I Power Drive is designed to use RIDGID 11-R Drop Head Die Heads ( $\frac{1}{8}$ " –  $1\frac{1}{4}$ " pipe). The 690-I Power Drive is designed to use RIDGID 11-R Drop Head Die Heads ( $\frac{1}{8}$ " – 2" pipe). An adapter is required for use of the 690-I Power Drive with the  $\frac{1}{8}$ " –  $1\frac{1}{4}$ " sizes. The adapter and the  $1\frac{1}{2}$ " – 2" sizes are held in the 690-I Power Drive using a Retaining Mechanism.



Figure 1 – Model 600-I Power Drive



Figure 2 – Model 690-I Power Drive



Figure 3 – 602/692 Support Arms

### Specifications

Parameter	600-I Power Drive	690-I Power Drive
Pipe Threading Capacity	1/8 to 1 1/4 inch (3 to 32 mm)	1/8 to 2 inch (3 to 50 mm)
Die Head Holding	Ring Spring	Retaining Mechanism (1 1/2 – 2 inch) Ring Spring (1/8 – 1 1/4 inch)
LH Threads	Yes	Yes
Support Arm	No. 602, No. 601	No. 692, No. 691
Adapter	Not Required.	Used with 1/8" through 1 1/4" Die Heads.
Motor Type	Universal Motor, Single Phase	Universal Motor, Single Phase
Watts	1270 (120V), 1020 (220-240V)	1270 (120V), 1020 (220-240V)
Voltage/Phase Available	120V/1PH, 220-240V/1PH	120V/1PH, 220-240V/1PH
Amps	12A (120V), 5A (220-240V)	12A (120V), 5A (220-240V)
Operating Speed (RPM)	36 (120V), 32 (220-240V)	36 (120V), 32 (220-240V)
Controls	Forward/Reverse Slide Switch ON/OFF two-step momentary contact switch	Forward/Reverse Slide Switch ON/OFF two-step momentary contact switch
Gear Head	Die Cast Aluminum Permanently Greased	Die Cast Aluminum Permanently Greased
Length	20 inch (508 mm)	24.13 inch (613 mm)
Width	3.75 inch (95 mm)	4.75 inch (121 mm)
Height	7.5 inch (191 mm)	8 inch (203 mm)
Weight	12.65 lbs (5.7 kg)	21.15 lbs (9.6 kg)
Sound Pressure (L <sub>PA</sub> )*	83 dB(A), K=3	83 dB(A), K=3
Sound Power (L <sub>WA</sub> )*	94 dB(A), K=3	94 dB(A), K=3
Vibration*	< 2.5 m/s <sup>2</sup> , K=1.5	< 2.5 m/s <sup>2</sup> , K=1.5

\* Sound and Vibration measurements are measured in accordance with a standardized test per Standard IEC62841-1.

- Vibration levels may be used for comparison with other tools and for preliminary assessment of exposure.

- Sound and vibration emissions may vary due to your location and specific use of these tools.

- Daily exposure levels for sound and vibration need to be evaluated for each application and appropriate safety measures taken when needed. Evaluation of exposure levels should consider the time a tool is switched off and not in use. This may significantly reduce the exposure level over the total working period.

600-I Power Drive and 690-I Power Drive machine serial number plate is located on the bottom of motor housing. The last 4 digits of the serial number indicate the month and year of the manufacture (MMYY).

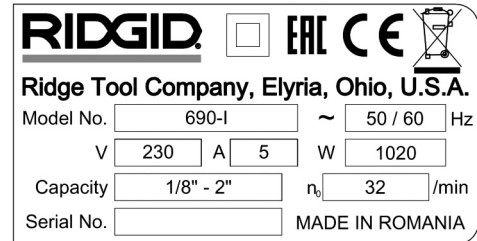


Figure 4 – Machine Serial Number

### Standard Equipment

The Model 600-I/690-I Power Drives come with the following items:

- Power Drive
- 690-I Adapter (690-I only)
- Operator's Manual

**NOTICE** Selection of appropriate materials and installation, joining and forming methods is the responsibility of the system designer and/or installer. Selection of improper materials and methods could cause system failure.

Stainless steel and other corrosion resistant materials can be contaminated during installation, joining and form-

ing. This contamination could cause corrosion and premature failure. Careful evaluation of materials and methods for the specific service conditions, including chemical and temperature, should be completed before any installation is attempted.

## Pre-Operation Inspection

### ⚠ WARNING



**Before each use, inspect power drive and correct any problems to reduce the risk of serious injury from electric shock, crushing injuries and other causes and prevent power drive damage.**

1. Make sure that the power drive is unplugged.
2. Clean any oil, grease or dirt from the power drive and support device, including the handles and controls. This aids inspection and helps prevent the machine or control from slipping from your grip.
3. Inspect the power drive and support arm for the following:
  - Damage or modification to the cord and plug.
  - Proper assembly, maintenance and completeness.
  - Damaged, misaligned or binding parts.
  - Proper operation of two-step momentary contact ON/OFF switch (Figure 5).
  - Support arm gripping teeth are clean and in good condition. Teeth can be cleaned with a wire brush.
  - Presence and readability of the warning label.
  - Any other condition which may prevent safe and normal operation.

If any problems are found, do not use the power drive or support device until the problems have been repaired.

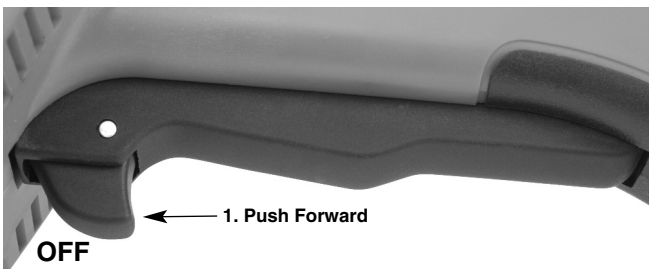


Figure 5A – Two Step Momentary Contact ON/OFF Switch



Figure 5B – Two Step Momentary Contact ON/OFF Switch

4. Inspect the cutting edges of the dies for wear, deformation, chips or other issues. Dull or damaged cutting tools increase the amount of force required, produce poor quality threads and increase the risk of injury.
5. Inspect and maintain any other equipment being used per its instructions to make sure it is functioning properly.
6. Following the Set Up and Operation instructions, check the power drive for proper operation.
  - Move the F/R (Forward/Reverse) switch to the F position. Depress and release the ON/OFF switch (Figure 5). Confirm that the power drive rotates in the clockwise direction (see Figure 6) and stops when releasing the switch.
  - Repeat the process for the REVERSE (counterclockwise) operation. If the power drive does not rotate in the correct direction, or the ON/OFF switch does not control the machine operation, do not use the machine until it has been repaired.

**NOTICE** Change position of the F/R slide switch only when the ON/OFF trigger switch is released. Allow the power drive to come to a complete stop before reversing the direction with the F/R slide switch. This will reduce the risk of power drive damage.

- Depress and hold the ON/OFF switch. Inspect the moving parts for misalignment, binding, odd noises or any other unusual conditions. Release the ON/OFF switch. If any unusual conditions are found, do not use the machine until it has been repaired.

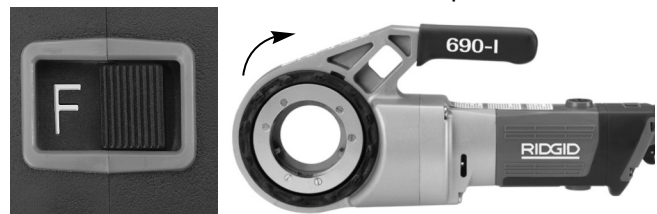


Figure 6A – F (FORWARD) (Clockwise) Switch Position



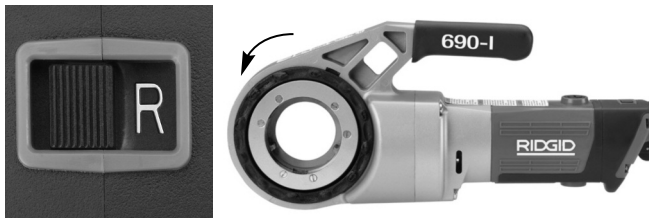


Figure 6B – R (REVERSE) (Counter-Clockwise) Switch Position

7. Release the ON/OFF switch and with dry hands unplug the machine.

## Set-Up and Operation

### ⚠ WARNING



Set up and operate the power drive according to these procedures to reduce the risk of injury from electric shock, entanglement, striking, crushing and other causes, and to help prevent power drive damage.

Use an appropriate support device per these instructions. Support devices improve control and reduce the risk of striking, crushing, and/or other injuries.

When using a support device other than the supplied support arm, the support device must react against the gear housing or fan housing. Support devices contacting the motor housing or handle may damage these parts or increase the risk of injury.

Always firmly hold the power drive when threading or backing die head off the pipe to resist use forces, regardless of support device use. This will reduce the risk of striking, crushing and other injuries.

Do not wear gloves or loose clothing. Keep sleeves and jackets buttoned. Loose clothing can become entangled in rotating parts and cause crushing and striking injuries.

Properly support pipe. This will reduce the risk of falling pipe, tipping and serious injury.

Do not use a power drive without a properly operating ON/OFF switch and F/R slide switch.

One person must control both the work process and the ON/OFF switch. Do not operate with more than one person. In case of entanglement, the operator must be in control of the ON/OFF switch.

1. Check work area for:
  - Adequate lighting.
  - Flammable liquids, vapors or dust that may ignite. If present, do not work in area until sources have been identified and corrected. The power drives are not explosion proof and can cause sparks.

- Clear, level, stable, dry location for all equipment and operator.
- Good ventilation. Do not use extensively in small, enclosed areas.
- Properly wired electrical outlet of the correct voltage. If in doubt, have outlet inspected by a licensed electrician.
- Clear path to electrical outlet that does not contain any potential sources of damage for the power cord.

2. Inspect the pipe to be threaded and associated fittings and confirm that the selected power drive is a correct tool for the job. See *Specifications*. Do not use to thread anything other than straight stock.

Equipment for other applications can be found in the Ridge Tool catalog, online at RIDGID.com or by calling Ridge Tool Technical Service in the U.S. and Canada at (800) 519-3456.

3. Make sure equipment to be used has been properly inspected.
4. Properly prepare the pipe as needed. Make sure the pipe is squarely cut and deburred. Pipe cut at an angle can damage the dies while threading or cause difficulty engaging the die head.

## Installing Die Heads

5. Installing 1½" or 2" Die Head or Adapter in 690-I:
  - a. Make sure ON/OFF switch is released and power drive is unplugged.
  - b. Rotate the drive ring counter-clockwise to open the retaining mechanism. Fully insert the die head or adapter (if required) spline end into the power drive (Figure 7).
  - c. Release the drive ring and confirm that the die head/adapter is secure.
  - d. Reverse process to remove.

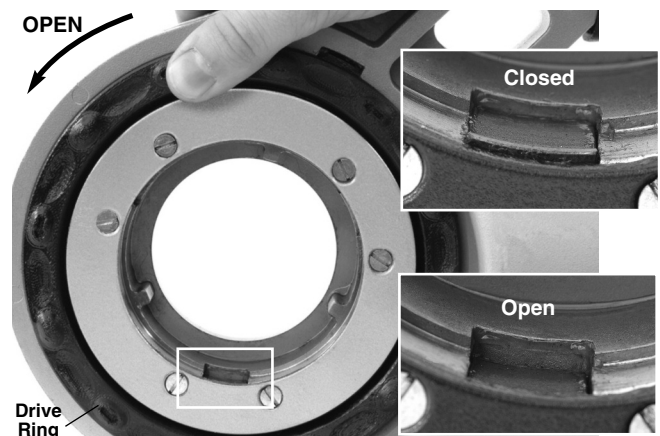
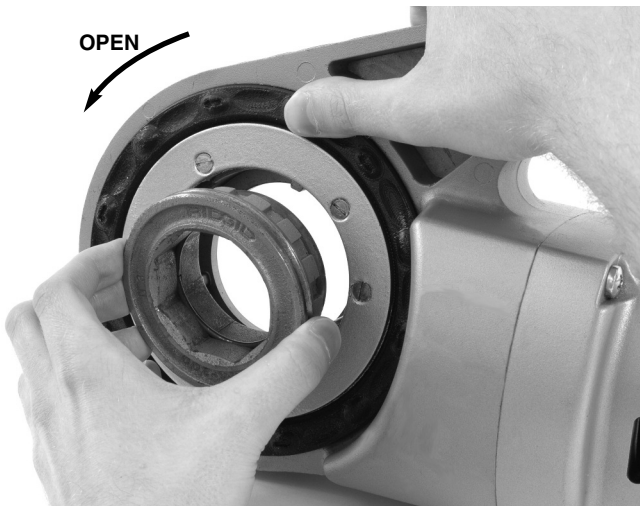


Figure 7 – Retaining Mechanism, Drive Ring in the Open/Closed Position



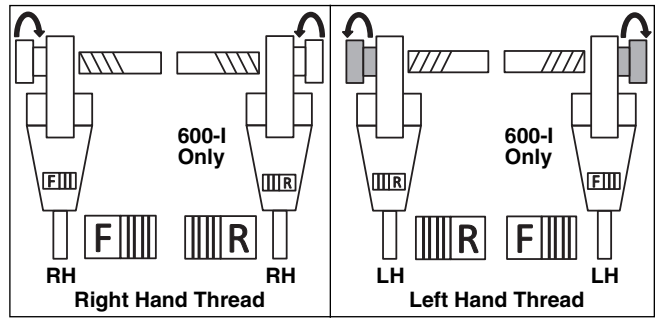
**Figure 8 – Installing Adapter Into 690-I**

6. Installing 1 1/4" and smaller Die Heads:
  - a. Make sure the ON/OFF switch is released and power drive unplugged from the outlet.
  - b. If needed install the adapter in the 690-I (*Figure 8*).
  - c. Squarely insert the octagonal end of the 11-R Die Head into the power drive until secured by the spring ring. On the 600-I, the die head can be inserted into either side of the power drive. With the 690-I, die heads can only be inserted from the adapter side.
  - d. To remove, pull die head from power drive. If needed, use a soft face hammer or a block of wood to tap the die head out. Do not pound on the die head, this can damage the tool.



**Figure 9 – Installing Die Heads into 600-I Power Drive**

7. Position the power drive F/R Slide Switch for the desired right or left hand thread. See *Figure 10*.



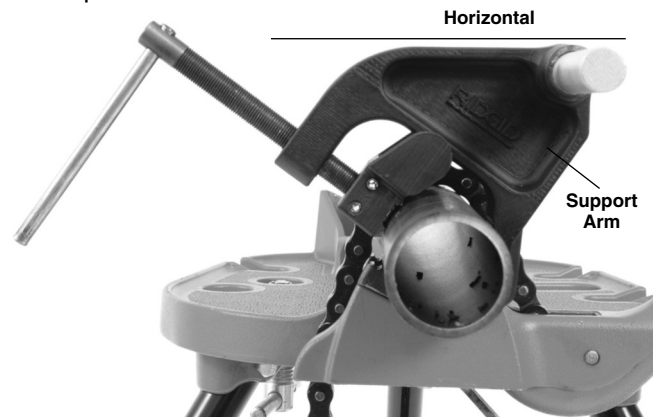
**Figure 10 – Slide Switch/Die Head Orientation**

8. Make sure that pipe to be threaded is stable and secured to prevent tipping during use. Use appropriate pipe stands to support pipe length.
9. Check the level of RIDGID Thread Cutting Oil in the RIDGID 418 oiler. Remove the chip tray and confirm that the filter screen is clean and fully submerged in oil. Replace or add oil if necessary. Place the 418 Oiler bucket under the pipe end to be threaded.

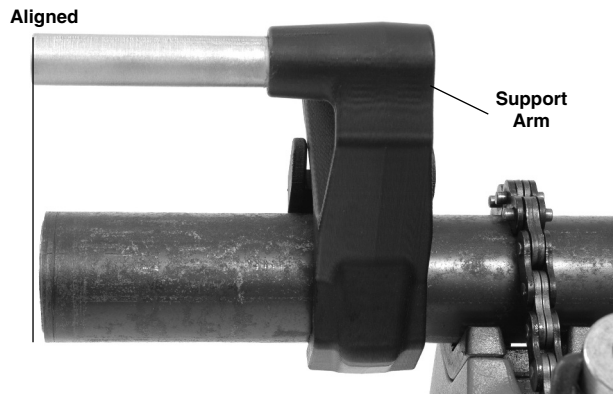
### Resisting Threading Forces

Using the supplied support arm:

- a. Always use the supplied support arm (601 or 602 support arm for 600-I, 691 or 692 support arm for 690-I) unless it can't be used because of space or other constraints. The support arm clamps to the pipe and helps to resist the threading forces.
- b. Position the support arm on pipe, so end of support arm aligns with end of pipe and top of support arm is horizontal (*Figure 11*). This properly places the support arm for threading and prevents threading oil from entering the motor (*Figure 12*).
- c. Make sure that the support arm jaws are squarely aligned with the pipe and securely tighten the support arm.



**Figure 11A – Positioning the Support Arm**



**Figure 11B – Positioning the Support Arm**



**Figure 12 – Proper Orientation of the Power Drive**

When support arm can't be used:

When threading pipe in place or similar application, the support arm may not be able to be used because of space constraints.

- a. If possible remove the pipe and thread in a vise. If this cannot be done, other support devices must be used to help resist threading forces, such as placing the power drive gear or fan housing against an adjacent structural member (examples include walls, beams and joists). This requires that the pipe and surroundings be able to withstand the weight of the tool and the threading forces. It may be necessary to add temporary or permanent pipe supports or structural elements.
- b. For right hand threads, die head will rotate clockwise (looking at the face of the Die Head). Forces developed by the threading torque will be in the opposite or counter-clockwise direction. Rotation and force will be reversed for left hand threads. Make sure that the support device is set up to properly absorb the threading force.

- c. Do not place the power drive motor or handle against adjacent structural members to react threading forces, as this may cause power drive damage.
- d. Keep power drive against the structural member and do not place fingers or hands between the power drive and the structural member. When backing die head off thread, always firmly hold the power drive to resist forces from breaking the thread chips. These steps will reduce the risk of striking, crushing and other injuries. The ON/OFF switch can be released at any time to shut OFF the power drive.

Always firmly hold the power drive when threading or backing die head off pipe to resist forces, regardless of support device use. This will reduce the risk of striking, crushing and other injuries. The ON/OFF switch can be released at any time to shut off the power drive.

### Threading

10. With dry hands, plug in the power drive.
11. Position the die head over the pipe end and support the power drive as directed in the *Resisting Threading Forces* Section.



**Figure 13 – Starting the Thread**

12. Simultaneously actuate the ON/OFF switch and push against the Die Head cover plate with the palm of free hand to start the thread. Do not wear gloves, jewelry or use a rag while pushing on the cover plate – this increases the risk of entanglement and injury. Once the dies engage the pipe, threads will be cut as the dies pull themselves onto the end of the pipe.

Always firmly hold the power drive handle to resist the handle forces. Support devices can slip and allow the

power drive to move. The ON/OFF switch can be released at any time to shut off the power drive.

13. Stop pushing on cover plate and use oiler to apply a generous quantity of RIDGID Thread Cutting Oil to the area being threaded. This will lower threading torque, improve thread quality and increase die life.



**Figure 14 – Threading Pipe**

14. Depress ON/OFF switch until end of the pipe is even with edge of the dies and release the switch. Let the power drive come to a complete stop.



**Figure 15 – Pipe Even with Edge of Dies**

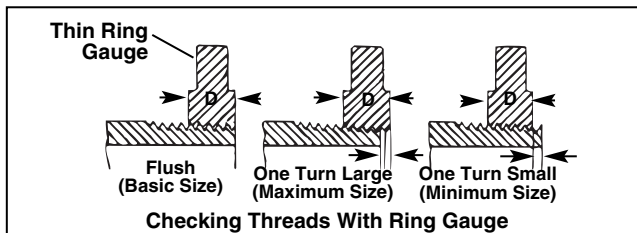
15. Reverse the F/R slide switch and actuate the ON/OFF switch to remove Die Head from the threaded pipe. Hold onto the power drive handle firmly to resist the handle forces developed while backing off the Die Head.

**NOTICE** Change position of the F/R slide switch only when the ON/OFF switch is released. Allow the power drive to come to a complete stop before reversing the direction with the F/R slide switch. This will reduce the risk of power drive damage.

16. Release the switch and remove the power drive and Die Head from the pipe.
17. With dry hands unplug the power drive.
18. Wipe oil and debris off the threads and out of the die head, taking care not to cut yourself on sharp debris or edges. Clean up any oil spills in the work area.

### Inspecting Threads

1. Remove any oil, chips or debris from the thread.
2. Visually inspect thread. Threads should be smooth and complete, with good form. If issues such as thread tearing, thin threads, or pipe out-of-roundness are observed, the thread may not seal when made up. Refer to the “Troubleshooting” chart for help in diagnosing these issues.
3. Inspect the size of the thread. The preferred method of checking thread size is with a ring gauge. There are various styles of ring gauges, and their usage may differ from that shown in *Figure 16*.
  - Screw ring gauge onto the thread hand tight.
  - Look at how far the pipe end extends through the ring gauge. The end of the pipe should be flush with the side of the gauge plus or minus one turn. If thread does not gauge properly, cut off the thread, adjust the die head and cut another thread. Using a thread that does not gauge properly can cause leaks.



**Figure 16 – Checking Thread Size**

- If a ring gauge is not available to inspect thread size, it is possible to use a new clean fitting representative of those used on the job to gauge thread size. For 2" and under NPT threads, the threads should be cut to obtain 4 to 5 turns to hand tight engagement with the fitting and for 2" and under BSPT threads it should be 3 turns.

## Maintenance Instructions

### ⚠ WARNING

Make sure that the ON/OFF switch is released and the machine is unplugged before performing any maintenance or making any adjustments.

Maintain tool according to these procedures to reduce the risk of injury from electrical shock, entanglement and other causes.

### Cleaning

1. After each use, empty the threading chips from the 418 Oiler chip tray and wipe out any oil residue.
2. Wipe off any oil, grease, chips or dirt from the power drive, including the handles and controls. Clean the 690-I retaining mechanism.
3. Wipe off any oil, grease or dirt from the support arm. If required, clean the support arm jaws with a wire brush.
4. Remove chips and dirt from die heads.

### Changing Dies in 11-R Die Heads

A variety of dies are available for installation in RIDGID 11-R Die Heads. See catalog for availability.

1. Remove the four screws ④ from cover ② and remove the cover plate.
2. Remove the old dies ③ from the die head.
3. Insert new dies into slots – numbered edge up. Numbers on the dies must correspond with those on the die head slots. Always replace dies as a set.

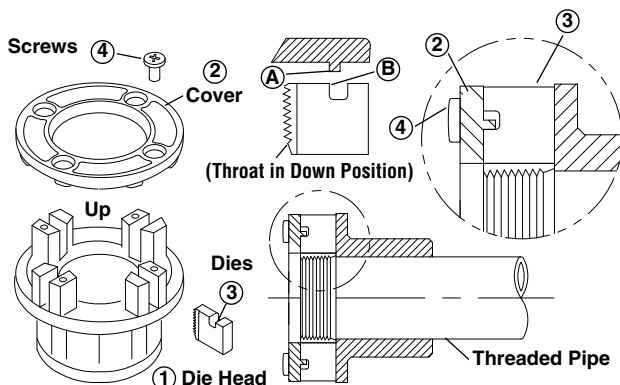


Figure 17 – Installing Dies In Die Head

4. Replace the cover plate and tighten the four screws lightly.
5. Place die head on already threaded pipe until dies begin to thread. This forces stop on dies ③ outward

against lugs ① on cover plate and properly sets the size.

6. Tighten the four screws securely. Remove the threaded pipe and make a test cut.

### Replacing Brushes in Motor

Check motor brushes every 6 months. Replace when worn to less than  $\frac{5}{16}$ " (8 mm).



Figure 18 – Brush Installation

1. Unplug the machine from power source.
2. Unscrew brush caps (Figures 1 and 2). Remove and inspect brushes. Replace when worn to less than  $\frac{5}{16}$ " (8 mm). Inspect the commutator for wear. If excessively worn, have tool serviced.
3. Re-install brushes/install new brushes and securely tighten the brush caps.
4. It is best practice to run the unit at idle for 15 minutes in the forward direction followed by 15 minutes in the reverse direction to seat the brushes to the commutator before use.

## Accessories

### ⚠ WARNING

To reduce the risk of serious injury, only use accessories specifically designed and recommended for use with the 600-I and 690-I Power Drives such as those listed below. Other Accessories suitable for use with other tools may be hazardous when used with the 600-I and 690-I Power Drives.

**600-I and 690-I Power Drive Accessories**

Catalog No.	Description
45923	602 Support Arm
45928	692 Support Arm
46668	600-I Carrying Case
46673	690-I Carrying Case
10883	418 Oiler with 1 Gallon Nu-Clear Oil
16703	425 1/8" - 2 1/2" TRISTAND Vise
36273	460-6 1/8" - 6" TRISTAND Vise

Further information on accessories specific to the tool can be found in the RIDGID Catalog and online at RIDGID.com

**Machine Storage**

**⚠ WARNING** Power Drives must be kept indoors or well covered in rainy weather. Store the machine in a locked area that is out of reach of children and people unfamiliar with the machines. These machines can cause serious injury in the hands of untrained users.

**Service and Repair**

**⚠ WARNING**  
**Improper service or repair can make machine unsafe to operate.**

The "Maintenance Instructions" will take care of most of the service needs of this machine. Any problems not addressed by this section should only be handled by an authorized RIDGID service technician.

Tool should be taken to a RIDGID Authorized Independent Service Center or returned to the factory.

For information on your nearest RIDGID Authorized Independent Service Center or any service or repair questions:

- Contact your local RIDGID® distributor.
- Visit RIDGID.com to find your local RIDGID contact point.
- Contact Ridge Tool Technical Service Department at rttechservices@emerson.com or in the U.S. and Canada call (800) 519-3456.

**Threading Oil**

For information concerning RIDGID® Thread Cutting Oil use and handling, refer to the labels on the container and Material Safety Data Sheet (MSDS). MSDS is available at RIDGID.com or by contacting Ridge Tool Technical Service Department at (800) 519-3456 in U.S. and Canada or rttechservices@emerson.com.

**Disposal**

Parts of the Power Drives contain valuable materials and can be recycled. There are companies that specialize in recycling that may be found locally. Dispose of the components in compliance with all applicable regulations. Contact your local waste management authority for more information.



**For EC Countries:** Do not dispose of electrical equipment with household waste!

According to the European Guideline 2012/19/EU for Waste Electrical and Electronic Equipment and its implementation into national legislation, electrical equipment that is no longer usable must be collected separately and disposed of in an environmentally correct manner.

## Troubleshooting

SYMPTOM	POSSIBLE REASONS	SOLUTION
<b>Machine will not run.</b>	Brushes do not touch armature.	Check brushes, replace if worn.
<b>Machine not able to thread.</b>	Dull dies. Overload due to torn or out-of-round threads. Poor quality or insufficient thread cutting oil. Insufficient line voltage.	Replace dies. See possible reasons below. Use RIDGID® Thread Cutting Oil in adequate quantity. Check power supply voltage.
<b>Sparks forming at motor commutator.</b>	Insufficient contact between brushes and commutator. Brushes do not touch commutator properly. Brushes of different manufacture. New brushes.	Tighten the brush caps to make sure brushes are pressed firmly onto commutator. Replace worn brushes and or armature. Only use RIDGID® brushes. Seat the brushes by running the unit at idle for 15 minutes in Forward and Reverse.
<b>Die head does not start threading.</b>	Die head not square with end of pipe. Engagement force not properly applied to the die head. Pipe end not squarely cut. Dull or broken dies. Machine running in wrong direction. Dies set improperly in the die head.	Push against die head cover plate to start thread. Apply engagement force through the center line of the pipe. Cut the pipe end squarely. Replace dies. Check position of the F/R Slide Switch. Ensure chasers are set outward against the cover plate lugs.
<b>Torn threads.</b>	Damaged, chipped or worn out dies. Improper or insufficient thread cutting oil. Incorrect type of die for material. Poor pipe material/quality.	Replace dies. Only use RIDGID® Thread Cutting Oil in adequate quantity. Select high-speed, stainless steel , or alloy dies that are suitable for the application. Use higher quality pipe.
<b>Out-of-round or crushed threads.</b>	Pipe wall thickness too thin.	Use schedule 40 or heavier wall thickness.
<b>Support device turns while threading.</b>	Support arm jaws dirty. Support arm not aligned properly. Support arm not tight.	Clean with wire brush. Align support arm squarely with the pipe. Tighten feedscrew.
<b>Thin Threads.</b>	Dies not placed in proper order.	Place dies in proper die head slot.





## 600-I et 690-I



### **⚠ AVERTISSEMENT !**

Familiarisez-vous avec cette notice avant d'utiliser l'appareil. Tout manque de compréhension ou de respect des consignes ci-présentes augmenterait les risques de choc électrique, d'incendie et/ou de grave blessure corporelle.

#### Systemes d'entraînement 600-I et 690-I

l'appareil.

N° de  
série

--	--

## Table des matières

Fiche d'enregistrement du numéro de série de l'appareil .....	15
Symboles de sécurité .....	17
<b>Consignes générales de sécurité visant les appareils électriques</b>	
Sécurité des lieux.....	17
Sécurité électrique .....	17
Sécurité individuelle .....	18
Utilisation et entretien des appareils électriques .....	18
Service après-vente .....	19
<b>Consignes de sécurité spécifiques</b>	
Sécurité du système d'entraînement .....	19
<b>Description, caractéristiques techniques et équipements de base</b>	
Description .....	19
Caractéristiques techniques.....	20
Équipements de base .....	21
<b>Inspection préalable.....</b>	21
<b>Préparation et utilisation de l'appareil .....</b>	22
Installation des têtes de filière .....	23
Compensation du couple de filetage .....	24
Filetage des pièces .....	25
Contrôle des filets .....	26
<b>Consignes d'entretien</b>	
Nettoyage.....	27
Remplacement des filières sur la tête de filière 11-R .....	27
Remplacement des balais du moteur .....	27
<b>Accessoires .....</b>	28
<b>Stockage de l'appareil .....</b>	28
<b>Révisions et réparations .....</b>	28
<b>Huile de coupe .....</b>	28
<b>Recyclage .....</b>	28
<b>Dépannage .....</b>	29
<b>Déclaration de conformité CE .....</b>	Recto de page de garde
<b>Garantie à vie .....</b>	Page de garde

\*Traduction de la notice originale

## Symboles de sécurité

Les symboles et mots clés utilisés à la fois dans ce mode d'emploi et sur l'appareil lui-même servent à signaler d'importants risques de sécurité. Ce qui suit permettra de mieux comprendre la signification de ces mots clés et symboles.



Ce symbole sert à vous avertir de risques d'accident potentiels. Le respect des consignes qui le suivent vous permettra d'éviter les risques d'accident grave ou potentiellement mortel.



Le terme **DANGER** signifie une situation dangereuse qui, faute d'être évitée, provoquerait la mort ou de graves blessures corporelles.



Le terme **AVERTISSEMENT** signifie une situation dangereuse potentielle qui, faute d'être évitée, serait susceptible d'entraîner la mort ou de graves blessures corporelles.



Le terme **ATTENTION** signifie une situation dangereuse potentielle qui, faute d'être évitée, serait susceptible d'entraîner des blessures corporelles légères ou modérées.



Le terme **AVIS IMPORTANT** indique des informations concernant la protection des biens.



Ce symbole indique la nécessité de bien se familiariser avec la notice d'emploi avant d'utiliser ce matériel. La notice d'emploi renferme d'importantes consignes de sécurité et d'utilisation du matériel.



Ce symbole indique le port obligatoire de lunettes de sécurité équipées de protections latérales lors de la manipulation ou de l'utilisation de l'appareil afin de réduire les risques de lésions oculaires.



Ce symbole signale un risque d'écrasement en cas d'entraînement des doigts, jambes, vêtements ou autres objets portés dans le mécanisme.



Ce symbole signale un risque de choc électrique.



Ce symbole signale un risque de blessure en cas de renversement de l'appareil.



Ce symbole interdit le port de gants lors de l'utilisation de l'appareil afin de limiter les risques de blessure.



Ce symbole indique la nécessité de prévoir un dispositif permettant de compenser le couple produit par l'appareil, améliorer sa stabilité et limiter les risques de blessure corporelle.

## Consignes générales de sécurité applicables aux appareils électriques\*

### ⚠ AVERTISSEMENT

**Familiarisez-vous avec l'ensemble des consignes de sécurité et d'utilisation, des illustrations et des caractéristiques techniques ci-présentes. Le non-respect de l'ensemble des consignes ci-dessous augmenterait les risques de choc électrique, d'incendie et/ou de graves lésions corporelles.**

### Conservez l'ensemble de ces consignes et instructions pour future référence !

Le terme « appareil électrique » utilisé dans les consignes de sécurité couvre à la fois les appareils branchés sur secteur et ceux fonctionnant sur piles.

### Sécurité du chantier

- Assurez-vous de la propreté et du bon éclairage

**des lieux.** Les chantiers encombrés ou mal éclairés sont une invitation aux accidents.

- **N'utilisez pas d'appareils électriques en présence de substances volatiles telles que liquides, gaz ou poussières combustibles.** Ce type de matériel risque de produire des étincelles susceptibles d'enflammer les poussières et émanations combustibles.
- **Eloignez les enfants et les curieux durant l'utilisation des appareils électriques.** Les distractions risquent de vous faire perdre le contrôle de l'appareil.

### Sécurité électrique

- **La fiche de l'appareil doit correspondre à la prise de courant utilisée. Ne jamais tenter de modifier la fiche d'une manière quelconque. Ne jamais utiliser d'adaptateur de prise sur les appareils équipés d'une fiche avec terre.** Cela limitera les risques de choc électrique.

\*Le texte utilisé dans les consignes de sécurité générales ci-présentes est tiré verbatim de la section de la norme UL/CSA 62841 applicable, comme l'impose la réglementation. Lesdites consignes de sécurité générales sont sensé couvrir de nombreux types d'appareils électriques. Certaines d'entre-elles ne sont pas applicables à l'ensemble de ces appareils, et certaines ne sont pas applicables à celui-ci.

- **Évitez tout contact physique avec des objets reliés à la terre tels que canalisations, radiateurs, cuisinières et réfrigérateurs.** Tout contact avec la terre augmenterait les risques de choc électrique.
- **N'exposez pas les appareils électriques à la pluie ou aux intempéries.** Toute pénétration d'eau à l'intérieur de l'appareil augmenterait les risques de choc électrique.
- **Ne maltraitez pas le cordon d'alimentation de l'appareil. Ne jamais utiliser le cordon pour porter, tirer ou débrancher l'appareil. Éloignez le cordon de la chaleur, des matières grasses, des objets tranchants et des mécanismes.** Les cordons d'alimentation endommagés ou entortillés augmentent les risques de choc électrique.
- **Lors de l'utilisation de l'appareil à l'extérieur, prévoyez une rallonge électrique homologuée pour ce type d'emploi.** Cela limitera les risques de choc électrique.
- **S'il est inévitable d'utiliser l'appareil dans des endroits humides, prévoyez une source d'alimentation protégée par disjoncteur différentiel.** La présence d'un disjoncteur différentiel limitera les risques de choc électrique.

## Sécurité individuelle

- **Soyez attentif, restez concentré et faites preuve de bon sens lors de l'utilisation de ce type d'appareil. Ne jamais utiliser ce matériel lorsque vous êtes fatigué ou sous l'influence de drogues, de l'alcool ou de médicaments.** Lors de l'utilisation d'un appareil électrique, un instant d'inattention risque d'entraîner de graves lésions corporelles.
- **Prévoyez les équipements de protection individuelle appropriés. Portez systématiquement une protection oculaire.** Selon le cas, le port d'un masque à poussière, de chaussures de sécurité antidérapantes, du casque ou d'une protection auriculaire peut aider à limiter les risques de lésion corporelle.
- **Évitez les démarrages accidentels. Assurez-vous que son interrupteur est éteint avant de brancher l'appareil, y introduire un bloc-piles, le soulever ou le transporter.** Porter un appareil électrique avec son doigt sur l'interrupteur, voire le brancher lorsque son interrupteur est en position « Marche » est une invitation aux accidents.
- **Retirez toute clé ou dispositif de réglage éventuel avant de mettre l'appareil en marche.** Une clé ou tout autre dispositif de réglage engagé sur un élément mécanique pourrait provoquer un accident.
- **Ne vous mettez pas en porte-à-faux. Maintenez une bonne assiette et un bon équilibre à tout moment.** Cela assurera un meilleur contrôle de l'appareil en cas d'imprévu.
- **Habillez-vous de manière appropriée. Ne portez ni accessoires, ni bijoux. Éloignez vos cheveux, vos vêtements et vos gants des mécanismes lorsque l'appareil fonctionne.** Les foulards, les bijoux et les cheveux longs risquent d'être entraînés par les mécanismes en rotation.
- **Vérifiez le bon raccordement et fonctionnement des aspirateurs de poussière éventuels.** De tels aspirateurs peuvent limiter les risques associés à la dispersion des poussières.
- **Ne laissez pas la familiarité issue d'une utilisation fréquente de l'appareil vous rendre complaisant au point d'ignorer les règles de sécurité applicables.** La moindre imprudence peut occasionner de graves blessures corporelles en une fraction de seconde.

## Utilisation et entretien de l'appareil

- **Ne pas forcer l'appareil. Prévoyez l'appareil le mieux adapté aux travaux envisagés.** Un appareil adapté produira de meilleurs résultats et un meilleur niveau de sécurité lorsqu'il fonctionne au régime prévu.
- **Ne pas utiliser d'appareil dont l'interrupteur marche/arrêt ne fonctionne pas correctement.** Tout appareil qui ne peut pas être contrôlé par son interrupteur est considéré dangereux et doit être réparé.
- **Débrancher l'appareil ou retirez son bloc-piles avant tout réglage, remplacement d'outils ou stockage.** De telles mesures préventives aideront à limiter les risques de démarrage accidentel de l'appareil.
- **Ranger les appareils électriques non utilisés hors de la portée des enfants. L'utilisation de cet appareil doit être exclusivement réservé à du personnel compétent.** Tout appareil électrique peut devenir dangereux entre les mains d'un novice.
- **Assurer l'entretien régulier des appareils électriques. S'assurer de l'absence d'éléments grippés ou endommagés, voire toute autre anomalie susceptible de nuire au bon fonctionnement et à la sécurité de l'appareil. Ne pas utiliser d'appareil endommagé avant sa réparation.** De nombreux accidents sont le résultat d'appareils mal entretenus.
- **Assurer l'affûtage et la propreté des outils de coupe.** Des outils de coupe correctement entretenus et affûtés sont moins susceptibles de se gripper et sont plus faciles à contrôler.

- **Utilisez l'appareil, ses accessoires et ses outils selon les consignes ci-présentes, tout en tenant compte des conditions de travail existantes et de la nature des travaux envisagés.** Toute utilisation de l'appareil à des fins autres que celles prévues augmenterait les risques d'accident.
- **Maintenez les poignées et autres surfaces de prise-en-main de l'appareil en parfait état de propreté.** Les poignées et surfaces de prise-en-main encrassées ou glissantes peuvent compromettre la sécurité de l'appareil en cas d'imprévu.

### Service après-vente

- **Confiez la révision de l'appareil à un réparateur qualifié pouvant justifier l'emploi de pièces de rechange d'origine.** Cela assurera la sécurité opérationnelle de l'appareil.

## Consignes de sécurité spécifiques

### **⚠ AVERTISSEMENT**

**La section suivante contient d'importantes consignes de sécurité visant ce type d'appareil en particulier.**

**Lisez-les soigneusement avant d'utiliser l'un ou l'autre de ces systèmes d'entraînements afin de limiter les risques de choc électrique et de graves blessures corporelles.**

### **CONSERVEZ CES INSTRUCTIONS !**

Gardez ce manuel à la portée de tout utilisateur éventuel.

### Sécurité du système d'entraînement

- **Utilisez systématiquement le support fourni avec l'appareil.** Toute perte de contrôle de l'appareil en cours d'utilisation risque d'entraîner des blessures corporelles.
- **Boutonnez vos manches et vos blousons lors de l'utilisation de l'appareil. Ne vous penchez pas sur l'appareil ou le tuyau.** Vos vêtements risqueraient d'être entraînés et de s'entortiller autour du tuyau ou de l'appareil.
- **Un seul individu doit assumer simultanément le contrôle de l'appareil et du processus de filetage.** Plusieurs intervenants risqueraient d'occasionner la mise en marche inattendue de l'appareil et provoquer des blessures corporelles.
- **S'assurer que le sol des lieux est propre et sec.** Les sols mouillés ou gras invitent les accidents.
- **Ne portez pas de gants lors de l'utilisation de l'appareil. Ne vous penchez pas sur l'appareil ou le**

**tuyau.** Les gants risquent d'être entraînés et de s'entortiller autour du tuyau ou du système d'entraînement.

- **Quel que soit le type support utilisé, tenez le système d'entraînement fermement lors du filetage des tuyaux et du retrait de la tête de filetage d'un tuyau afin de résister au couple produit.** Cela limitera les risques de retour de manivelle et autres blessures.
- **Respectez les consignes visant les limites d'utilisation de cet appareil. Ne l'utilisez pas à d'autres fins, tels que le percement de trous ou l'entraînement de treuils.** Toute autre utilisation ou modification de l'appareil pour d'autres applications pourrait augmenter les risques de grave blessure corporelle.
- **N'utilisez pas ce système d'entraînement si son interrupteur Marche/Arrêt ne fonctionne pas.** L'interrupteur Marche/Arrêt est un dispositif de sécurité qui permet d'éteindre le moteur de l'appareil en le lâchant du doigt.
- **N'utilisez pas de filières émoussées ou endommagées.** Les outils de coupe bien affûtés produisent moins de couple et rendent l'appareil plus facile à contrôler.
- **Maintenez les poignées de l'appareil en parfait état de propreté.** Cela permettra de mieux contrôler l'appareil.
- **N'utilisez que des têtes de filière RIDGID avec les systèmes d'entraînement RIDGID.** D'autres types de tête de filière risquent d'être inadaptées à ce système d'entraînement, au point d'endommager l'appareil et provoquer des blessures corporelles.

En cas de questions visant ce produit RIDGID®, veuillez soit ;

- Consulter le distributeur RIDGID le plus proche.
- Visiter le site RIDGID.com pour localiser le conseiller RIDGID le plus proche.
- Consulter les services techniques de Ridge Tool par courriel adressé à [rtctechservices@emerson.com](mailto:rtctechservices@emerson.com), ou bien par téléphone en composant le (800) 519-3456 à partir des Etats-Unis ou du Canada.

## Description, fiche technique et équipements de base

### Description

Les systèmes d'entraînement RIDGID® 600-I et 690-I sont des systèmes d'entraînement à double isolation prévus pour le filetage des tuyaux et conduits tubulaires. Leur inverseur à coulisse permet d'inverser le sens de rotation du système d'entraînement, tandis que leur inter-

rupteur marche/arrêt bi-étagé à contact momentané bi-étagée assure la mise en marche et l'arrêt de leur moteur.

Le système d'entraînement 600-I est prévu pour les têtes de filière orientables RIDGID 11-R pour tuyaux de 1/8" à 1 1/4" de diamètre. Le système d'entraînement 690-I est prévu pour les têtes de filière orientables RIDGID 11-R pour tuyaux de 1 1/4" à 2" de diamètre. Un adaptateur permet l'utilisation des têtes de filière de 1/8" à 1 1/4" sur le système d'entraînement 690-I. Le 690-I est équipé d'un système de retenu qui permet de retenir à la fois l'adaptateur et les têtes de filière de 1 1/2" à 2".

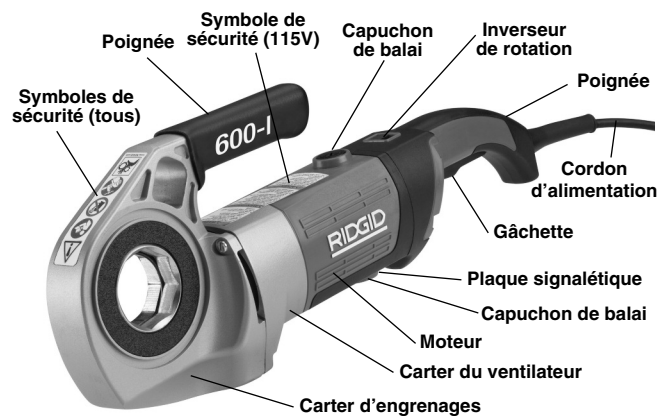


Figure 1 – Fileteuse 600-I

## Caractéristiques techniques

Paramètre	Fileteuse 600-I	Fileteuse 690-I
Diamètre des tuyaux	ø 1/8 à 1 1/4 pouces (ø 3 à 32 mm)	ø 1/8 à 2 pouces (ø 3 à 50 mm)
Maintien de la tête de filetage	Ressort annulaire	Mécanisme de retenue (ø 1 1/2 à 2 pouces) Ressort annulaire (ø 1/8 à 1 1/4 pouces)
Filetages à gauche	Oui	Oui
Supports de système d'entraînement	Types 602 et 601	Types 692 et 691
Adaptateur	N/A	Pour tête de filière ø 1/8 à 1 1/4 pouces
Moteur	Type universel monophasé	Type universel monophasé
Watts	1270 (120V) / 1020 (220-240V)	1270 (120V) / 1020 (220-240V)
Tension / Phases	120V mono, 220-240V mono	120V mono, 220-240V mono
Ampere	12A (120V), 5A (220-240V)	12A (120V), 5A (220-240V)
Régime de rotation (t/min.)	36 (120V), 32 (220-240V)	36 (120V), 32 (220-240V)
Commandes	Inverseur de rotation Gâchette bi-étagée	Inverseur de rotation Gâchette bi-étagée
Carter d'engrenages	Alu moulé, lubrification permanente	Alu moulé, lubrification permanente
Longueur	20 pouces (508 mm)	24,13 pouces (613 mm)
Largeur	3,75 pouces (95 mm)	4,75 pouces (121 mm)
Hauteur	7,5 pouces (191 mm)	8 pouces (203 mm)
Poids	12,65 livres (5,7 kg)	21,5 livres (9,6 kg)
Pression sonore (L <sub>PA</sub> )*	83 dB(A), K=3	83 dB(A), K=3
Puissance sonore (L <sub>WA</sub> )*	94 dB(A), K=3	94 dB(A), K=3
Vibrations*	< 2.5 m/s <sup>2</sup> , K=1.5	< 2.5 m/s <sup>2</sup> , K=1.5

\* Les données sonores et vibratoires ont été établies selon la norme IEC62841-1.

- Le taux de vibrations peut servir de comparaison avec d'autres appareils et à l'évaluation préliminaire des risques d'exposition..

- Les données sonores et vibratoires peuvent varier en fonction de la localisation et l'utilisation de ces appareils.

- Les niveaux d'exposition sonore et vibratoire quotidiennes doivent être évalués pour chaque application, et le cas échéant, les mesures de protection appropriées doivent être prises. L'évaluation des niveaux d'exposition doit prendre en compte les temps morts durant lesquels l'appareil n'est pas en marche. Cela peut considérablement réduire le taux d'exposition au cours de la durée de travail global.

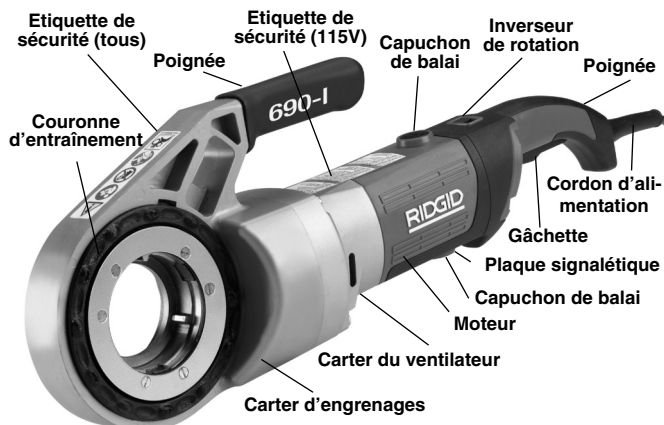


Figure 2 – Fileteuse type 690-I



Figure 3 – Supports de système d'entraînement type 602 et 692

Les plaques signalétiques des systèmes d'entraînement 600-I et 690-I se trouvent sous le carter du moteur. Les 4 derniers chiffres du numéro de série indiquent le mois et l'année de fabrication sous format « MM/AA ».

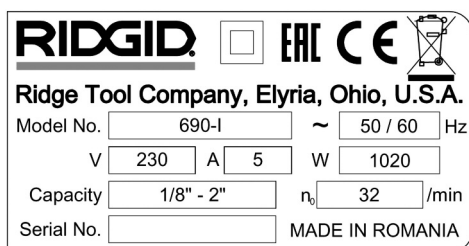


Figure 4 – Numéro de série de l'appareil

### Equipements de base

Les systèmes d'entraînement 600-I et 690-I sont livrés avec les équipements suivants :

- Systèmes d'entraînement
- Adaptateur pour tête de 600-I (690-I uniquement)
- Mode d'emploi

**AVIS IMPORTANT** Le choix des matériaux et des moyens d'installation, de raccordement et de façonnage utilisés reste la responsabilité du bureau d'études et/ou de

l'installateur concerné. La sélection de matériaux ou de moyens de mise en œuvre inadaptés pourrait provoquer la défaillance du réseau.

L'acier inoxydable et autres métaux réputés non corrosifs peuvent être contaminés lors de leur façonnage ou installation. Toute contamination éventuelle pourrait entraîner la corrosion et la défaillance prématurée du réseau. Il convient donc d'effectuer une étude approfondie afin d'assurer la compatibilité des matériaux et des méthodes d'installation envisagés vis-à-vis des conditions d'exploitation (milieu chimique, température, etc.) prévues avant toute tentative d'installation.

### Inspection préalable

#### **⚠ AVERTISSEMENT**



**Examinez le système d'entraînement avant chaque intervention afin de corriger toute anomalie éventuelle susceptible d'endommager l'appareil ou d'augmenter les risques de choc électrique, d'écrasement ou d'autres blessures corporelles.**

1. Débranchez le système d'entraînement.
2. Nettoyez soigneusement le système d'entraînement, notamment au droit de ses poignées et commandes, ainsi que son support de système d'entraînement. Cela facilitera l'inspection de l'appareil et assurera une meilleure manipulation du système d'entraînement.
3. Examinez le système d'entraînement et son support de système d'entraînement pour :
  - Signes de détérioration du cordon d'alimentation ou de sa fiche.
  - Un bon assemblage et entretien de l'appareil, ainsi que son intégralité.
  - Signes d'éléments endommagés, désalignés ou grippés.
  - Le bon fonctionnement de son interrupteur marche/arrêt bi-étagé à contact momentané bi-étagé (Figure 5).

- Le bon état et la propreté des mâchoires du support de système d'entraînement. Les mâchoires peuvent être nettoyées à l'aide d'une brosse métallique.
- La présence et la lisibilité de son étiquette de sécurité.
- Toute anomalie susceptible de nuire à la sécurité et au bon fonctionnement de l'appareil.

Corrigez toute anomalie éventuelle avant d'utiliser le système d'entraînement ou son support de système d'entraînement.

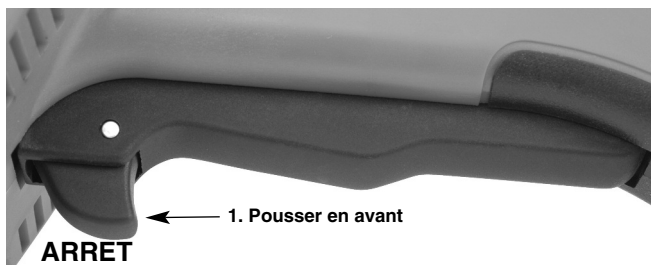


Figure 5A – Gâchette bi-étagée (Marche/Arrêt)

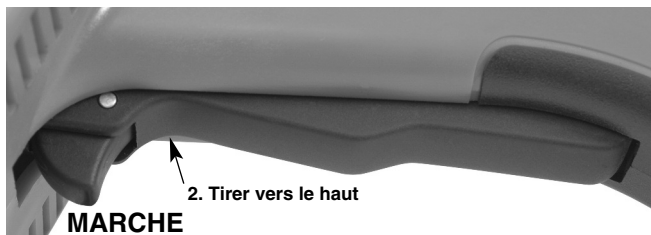


Figure 5B – Gâchette bi-étagée (Marche/Arrêt)

4. Examinez le bord d'attaque des filières pour signes d'usure, de déformation, d'ébréchure ou autre détérioration. Les filières émoussées ou endommagées sollicitent excessivement le système d'entraînement, produisent des filetages de mauvaise qualité, et augmentent les risques d'accident.
5. Examinez et entretenez l'ensemble du matériel utilisé selon les consignes correspondantes afin d'assurer que tout fonctionne normalement.
6. Reportez-vous à la section intitulée *Préparation et utilisation de l'appareil* pour les modalités de vérification de l'état de fonctionnement du système d'entraînement.
  - Mettez l'inverseur en position « F » (Marche Avant). Appuyez momentanément sur l'interrupteur marche/arrêt bi-étagé à contact momentané (Figure 5) afin de confirmer que le système d'entraînement tourne bien en sens horaire (Figure 6), et qu'il s'arrête dès que vous relâchez l'interrupteur marche/arrêt bi-étagé à contact momentané.
  - Répétez le processus avec l'inverseur en position « R » (Marche Arrière) pour vérifier que le système d'entraînement tourne bien en sens antihor-

raire. Si le système d'entraînement ne tourne pas dans le sens prévu, ou si son interrupteur marche/arrêt bi-étagé à contact momentané ne permet pas de le contrôler normalement, il sera nécessaire de le faire réparer avant toute utilisation ultérieure.

**AVIS IMPORTANT** Ne jamais changer la position de l'inverseur lorsque le système d'entraînement tourne. Lâchez l'interrupteur marche/arrêt bi-étagé à contact momentané et attendez l'arrêt complet du système d'entraînement avant de pousser l'inverseur en sens opposé. Cela évitera d'endommager le système d'entraînement.

- Appuyez sur la interrupteur marche/arrêt bi-étagé à contact momentané le temps de déceler d'éventuelles anomalies telles que vibrations, oscillations, grippage, bruits anormaux, etc., puis lâchez la interrupteur marche/arrêt bi-étagé à contact momentané. Le cas échéant, le système d'entraînement devra être réparé avant toute utilisation ultérieure.

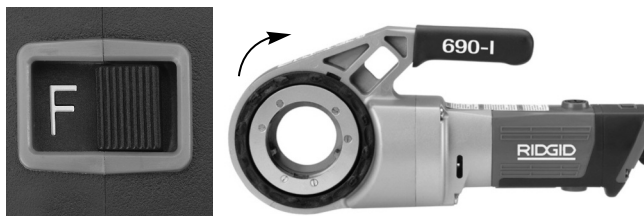


Figure 6A – Inverseur en position « F » (marche avant) pour rotation en sens horaire

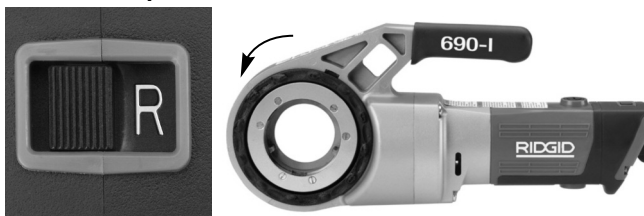


Figure 6B – Inverseur en position « R » (marche arrière) pour rotation en sens antihoraire

7. Lâchez l'interrupteur marche/arrêt bi-étagé à contact momentané puis, avec les mains sèches, débranche le système d'entraînement.

## Préparation et utilisation du système d'entraînement

### ⚠ AVERTISSEMENT



**Préparez et utilisez le système d'entraînement selon les consignes suivantes afin de limiter les risques de choc électrique, entortillement, traumatisme, écrasement ou autres blessures, et afin d'éviter d'endommager l'appareil.**



**Utilisez le type de support de système d'entraînement indiqué plus loin. Ce type de support améliore le contrôle de l'appareil et réduit les risques de traumatisme, d'écrasement et autres blessures.**

**Si vous utilisez un support autre que le support de système d'entraînement fourni, assurez-vous qu'il prenne appui contre le carter d'engrenages ou le carter du ventilateur. Un support s'appuyant sur le carter moteur ou sur la poignée de l'appareil pourrait endommager ces éléments et augmenter les risques de blessure.**

**Quel que soit le support de système d'entraînement utilisé, il est impératif de bien tenir la système d'entraînement afin de compenser le couple qu'il produit en tournant dans un sens ou dans l'autre. Cela limitera les risques de traumatisme, d'écrasement et autres blessures.**

**Ne portez ni gants, ni vêtements amples lors de l'utilisation de ce type d'appareil. Gardez vos manches et vos blousons boutonnés. Ne vous penchez ni sur le système d'entraînement, ni sur le tuyau. Les vêtements amples ou déboutonnés peuvent facilement s'entortiller autour du tuyau ou du mécanisme d'entraînement.**

**Soutenez le tuyau de manière appropriée afin de limiter les risques de chute, de renversement et de grave blessure corporelle.**

**Ne jamais utiliser de système d'entraînement dont l'interrupteur marche/arrêt bi-étagé à contact momentané ou l'inverseur de rotation ne fonctionne pas correctement.**

**Un seul individu doit contrôler à la fois le processus de filetage et la interrupteur marche/arrêt bi-étagé à contact momentané de l'appareil. Ne jamais utiliser le système d'entraînement à plusieurs. En cas d'entortillement, l'utilisateur doit pouvoir contrôler la interrupteur marche/arrêt bi-étagé à contact momentané.**

1. Examinez les lieux pour :

- Un éclairage suffisant.
- La présence de liquides gaz ou poussières inflammables. Le cas échéant, ne pas travailler dans ces lieux avant d'avoir identifié et éliminé leur source. Les systèmes d'entraînement ne sont pas blindés et risquent d'émettre des étincelles.
- Un endroit dégagé, de niveau, stable et sec pour l'installation du matériel et de l'utilisateur.
- Une bonne ventilation. Éviter toute utilisation prolongée dans les locaux exigus fermés.
- Une prise de courant correctement installée et de tension appropriée. En cas de doute, consulter un électricien.
- Un passage dégagé jusqu'à la prise électrique qui ne contient aucun objet susceptible d'endommager le cordon d'alimentation de l'appareil.

2. Examinez le tuyau et les raccords à fileter afin de confirmer que le système d'entraînement en question est adapté aux travaux envisagés. Reportez-vous à la section *Caractéristiques techniques*. Ne filetez que les tuyaux rectilignes.

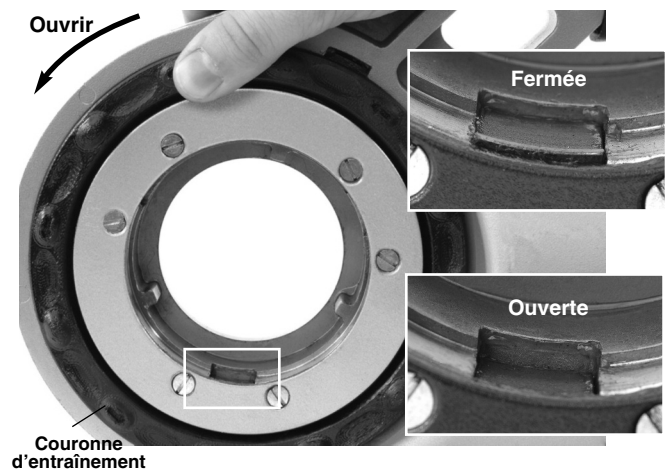
Pour la panoplie de matériel adapté à d'autres applications, consultez le catalogue Ridge Tool, le site RIDGID.com ou les services techniques de Ridge Tool en composant le 800-519-3456.

3. Assurez-vous du bon état de fonctionnement de l'ensemble du matériel utilisé.

4. Si nécessaire, préparez le tuyau de manière appropriée. Assurez-vous que ses extrémités sont coupées d'équerre et ébarbées. Une extrémité de tuyau en faux équerre risque d'endommager les filières en cours d'opération ou empêcher l'engagement de la tête de filière.

### Installation des têtes de filière

5. Installation des têtes de filière  $\varnothing$  1 1/2 ou 2 pouces, et de l'adaptateur de la 690-I.
- a. S'assurer que l'interrupteur marche/arrêt bi-étagé à contact momentané est relâché et que le système d'entraînement est débranché.
  - b. Ouvrez la couronne en la tournant en sens anti-horaire. Engagez la tête de filière (ou, le cas échéant, l'adaptateur) à fond dans le système d'entraînement, côté entraînement en premier (*Figure 7*).
  - c. Relâchez la couronne d'entraînement, puis assurez-vous du verrouillage approprié de la tête ou de l'adaptateur.
  - d. Inverser le processus pour retirer la tête ou l'adaptateur.



**Figure 7 – Couronne d'entraînement en position ouverte et fermée**

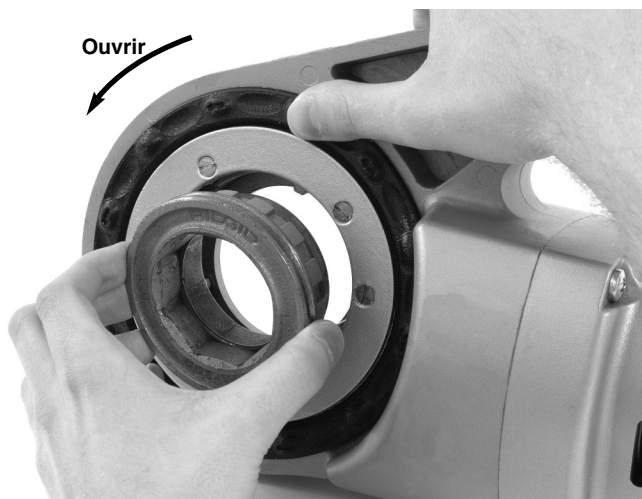


Figure 8 – Installation de l'adaptateur sur la 690-I

6. Installation des têtes de filière de 1/4 pouces ou moins.
  - a. Assurez-vous que l'interrupteur marche/arrêt bi-étagé à contact momentané est relâché et que le système d'entraînement est débranché.
  - b. Au besoin, installez l'adaptateur du 690-I (Figure 8).
  - c. Introduisez l'engrenage octogonal de la tête de filière 11-R dans le système d'entraînement jusqu'à engager le ressort annulaire qui assure son verrouillage. Sur le 600-I, la tête de filière peut être introduite d'un côté ou de l'autre du système d'entraînement. Sur le 690-I, les têtes de filière ne peuvent être introduites que du côté adaptateur.
  - d. La tête de filière devrait se retirer manuellement. Sinon, tapotez sur elle à l'aide d'un maillet ou d'un morceau de bois. Ne jamais marteler la tête de filière, car cela pourrait l'endommager.

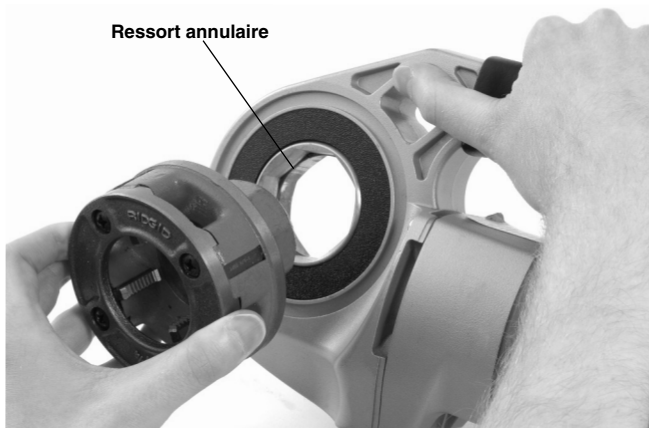


Figure 9 – Installation des têtes de filière sur le système d'entraînement 600-I

7. Positionnez l'inverseur de rotation selon le sens de filetage (à droite ou à gauche) voulu (Figure 10).

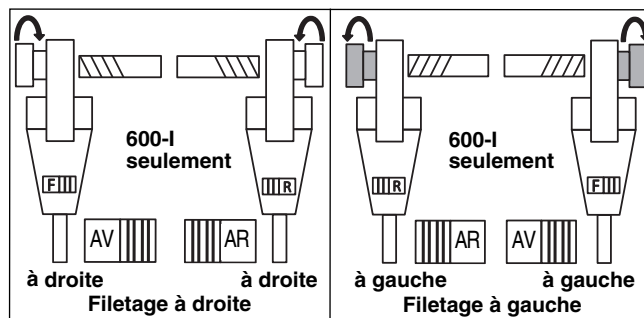


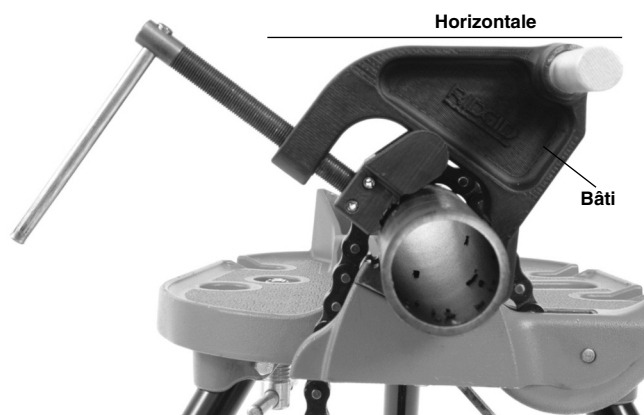
Figure 10 – Position de l'inverseur vis-à-vis du sens de rotation de la tête de filière

8. Assurez-vous de la stabilité et bon arrimage du tuyau à fileter afin d'éviter son renversement en cours d'opération. Prévoyez un nombre de porte-tubes suffisant pour soutenir le tuyau sur toute sa longueur.
9. Vérifiez le niveau d'huile de coupe RIDGID dans le système de lubrification RIDGID 418. Retirez le tiroir à copeaux pour vérifier la propreté et la submersion complète du tamis de filtration. Au besoin, faites l'appoint ou la vidange de l'huile de coupe. Positionnez le sceau de récupération d'huile sous l'extrémité du tuyau.

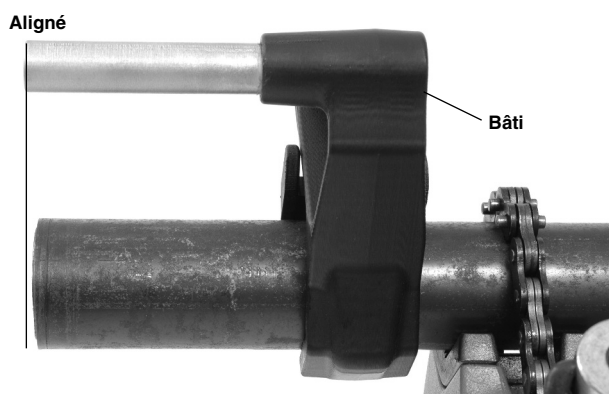
### Compensation du couple de filetage

Utilisation du support de système d'entraînement fourni :

- a. Servez-vous systématiquement du support de système d'entraînement fourni (type 601 ou 602 pour le 600-I ; 691 ou 692 pour le 690-I), sauf si cela s'avère impossible pour raisons d'encombrement ou autres contraintes. Le support de système d'entraînement se fixe sur le tuyau pour aider à absorber le couple généré par l'opération de filetage.
- b. Positionnez le support de système d'entraînement sur le tuyau pour que l'extrémité de son axe s'aligne avec l'extrémité du tuyau et que le bord supérieur de son bâti se trouve à l'horizontale (Figure 11). Cela permettra de monter le système d'entraînement en position approprié et évitera la pénétration d'huile à l'intérieur de son moteur (Figure 12).
- c. Vérifiez que les mâchoires du support de système d'entraînement sont parfaitement alignées sur le tuyau, puis serrez la vis à fond afin de bien l'arrimer.



**Figure 11A – Positionnement du support de système d'entraînement**



**Figure 11B – Positionnement du support de système d'entraînement**



**Figure 12 – Orientation appropriée du système d'entraînement**

Lorsqu'il est impossible d'utiliser le support de système d'entraînement :

Lors de filetages effectués in situ (lire, sur un réseau existant), il est parfois impossible d'utiliser le support de système d'entraînement en raison de son encombrement.

- a. Si possible, déposez le tuyau pour le fileter dans un étau. Sinon, il sera nécessaire de trouver un autre moyen de compenser le couple généré par le filetage, tel qu'en appuyant le carter d'engrenages ou du ventilateur du système d'entraînement con-

tre une structure adjacente (mur, poutre, solive, etc.). Cela suppose que le tuyau et les structures concernées puissent supporter le poids du système d'entraînement, en même temps que le couple qu'il génère. Des supports temporaires ou permanents supplémentaires risquent de s'avérer nécessaires.

- b. Lors des filetages à droite, vue de face, la tête de filière tournera en sens horaire. Le couple ainsi généré aura tendance à faire tourner le système d'entraînement en sens inverse (voire, antihoraire). Le sens de rotation de la tête de filière et celui du système d'entraînement seront inversés lors des filetages à gauche. Assurez-vous que le dispositif ou moyen de compensation de couple utilisé se trouve au bon endroit.
- c. Ne jamais utiliser le carter moteur ou la poignée du système d'entraînement comme point d'appui pour compenser le couple, car cela pourrait endommager l'appareil (Figure 13).
- d. Gardez le système d'entraînement appuyé contre la structure en faisant attention de ne jamais laisser vos doigts ou vos mains entre les deux. En ramenant la tête de filière en arrière en fin d'opération, tenez le système d'entraînement fermement afin d'éviter de déloger les copeaux de filetage sous le couple de l'appareil. De telles précautions limiteront les risques de traumatisme, d'écrasement et autres blessures corporelles. Il est possible de lâcher l'interrupteur marche/arrêt à tout moment pour arrêter le système d'entraînement.

Quel que soit le type support utilisé, tenez le système d'entraînement fermement lors du filetage des tuyaux et de la retraite de la tête de filetage d'un tuyau afin de résister au couple produit. Cela limitera les risques de traumatisme, d'écrasement et autres blessures. Il est possible de lâcher l'interrupteur marche/arrêt à tout moment pour arrêter le système d'entraînement.

### **Le filetage des tuyaux**

10. Avec les mains sèches, branchez le système d'entraînement.
11. Positionnez la tête de filière sur l'extrémité du tuyau, puis le système d'entraînement selon les indications de la section intitulée *Compensation du couple*.



Figure 13 – Entamer le filetage

- Appuyez sur l'interrupteur marche/arrêt bi-étagé à contact momentané tout en appuyant sur le couvercle de la tête de filière avec la paume de votre main libre pour entamer le filetage. Ne portez pas de gants, de bijoux ou de chiffon lorsque vous appuyez sur le couvercle, car cela augmenterait les risques d'entortillement et de blessure. Dès que les filières s'engagent sur l'extrémité du tuyau, elles s'ouvriront pour entamer son filetage.

N'oubliez pas de tenir la poignée du système d'entraînement fermement afin de résister au couple transmis à ce niveau. Les supports de système d'entraînement peuvent glisser et permettre le déplacement du système d'entraînement. Il est possible de lâcher l'interrupteur marche/arrêt bi-étagé à contact momentané à tout moment pour arrêter le système d'entraînement.

- Cessez d'appuyer sur le couvercle de tête de filière et prenez le pistolet de lubrification pour appliquer une quantité généreuse d'huile de coupe RIDGID à la zone de filetage. Cela réduira le couple, améliorera la qualité du filetage et préserva les filières.



Figure 14 – Filetage du tuyau

- Continuez d'appuyer sur l'interrupteur marche/arrêt bi-étagé à contact momentané jusqu'à ce que le tuyau arrive à fleur des filières, puis relâchez-la. Laissez le système d'entraînement s'arrêter complètement.



Figure 15 – Tuyau arrivé à fleur des filières

- Changez l'inverseur de position, puis appuyez sur l'interrupteur marche/arrêt bi-étagé à contact momentané pour inverser le sens de rotation et ramener la tête de filière en arrière. Tenez fermement la poignée du système d'entraînement afin de résister au couple généré pendant le recul de la tête de filière.

**AVIS IMPORTANT** Ne changez l'inverseur de position qu'après avoir lâché l'interrupteur marche/arrêt bi-étagé à contact momentané. Attendez que le système d'entraînement soit à l'arrêt avant de déplacer l'inverseur. Cela évitera d'endommager le système d'entraînement.

- Lâchez l'interrupteur marche/arrêt bi-étagé à contact momentané, puis retirez le système d'entraînement et sa tête de filière du tuyau.
- Avec les mains sèches, débranchez le système d'entraînement.
- Essuyez les filets et la tête de filière pour éliminer l'huile de coupe et les copeaux restants, tout en faisant attention de ne pas vous couper sur les copeaux tranchants. Nettoyez toutes traces d'huile de coup déversée dans la zone de travail.

### Inspection du filetage

- Éliminez toutes traces d'huile, de copeaux et de débris laissés sur le filetage.
- Examinez le filetage. Les filets devraient être lisses, complets et uniformes. Toute anomalie éventuelle (ébréchure ou irrégularité des filets, faux-rond du tuyau, etc.) pourrait nuire à l'étanchéité du filetage lors de l'assemblage. Reportez-vous à la section *Dépannage* pour aider à diagnostiquer ces problèmes.

- Vérifiez la conformité du filetage. La méthode préférée consiste à utiliser une jauge annulaire. Il existe plusieurs types de jauge annulaire dont l'utilisation risque de différer de celle indiquée à la *Figure 16*.
  - Vissez manuellement la jauge annulaire sur le filetage.
  - L'arrière de la jauge devrait alors arriver à fleur du tuyau, avec une marge de plus ou moins un tour. Tout filetage non conforme devra être sectionné et remplacé par un nouveau filetage après avoir réglé la tête de filière. Tout filetage non conforme risque de manquer d'étanchéité.

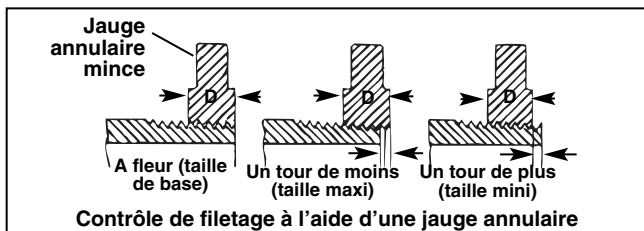


Figure 16 – Contrôle de filetage

- En l'absence d'une jauge annulaire, il est possible de contrôler la conformité des filetages à l'aide d'un raccord propre, neuf et représentatif de ceux utilisés sur le réseau en question. Dès lors, le raccord doit s'engager manuellement sur 4 ou 5 tours pour les filetages NPT de 2 pouces de diamètre ou moins, et sur 3 tours pour les filetages BSPT de même section.

## Consignes d'entretien

### ⚠ AVERTISSEMENT

**Lâchez l'interrupteur marche/arrêt bi-étagé à contact momentané et débranchez l'appareil avant toute intervention ou réglage.**

**Entretenez l'appareil selon les consignes suivantes afin de limiter les risques de choc électrique, d'enchevêtrement ou autres blessures.**

### Nettoyage

- En fin d'opération, videz les copeaux de filetage du tiroir à copeaux du système de lubrification 418, puis nettoyez le tiroir.
- Essuyez le système d'entraînement, et notamment ses poignées et commandes, afin d'éliminer toutes traces d'huile, de cambouis, de copeaux et de crasse éventuelles. Sur le 690-I, nettoyez également le mécanisme de retenue de tête de filière.
- Essuyez le support de système d'entraînement afin d'éliminer toutes traces d'huile, de cambouis ou de crasse. Au besoin, décrottez ses mâchoires à l'aide d'une brosse métallique.

- Enlevez les copeaux et éliminez la crasse des têtes de filière.

### Remplacement des filières de tête de filière 11-R

La tête de filière RIDGID 11-R peut recevoir une variété de filières. Consultez le catalogue pour leur disponibilité.

- Retirez les ④ vis du couvercle de la tête de filière ②, puis retirez le couvercle.
- Retirez les anciennes filières ③ de la tête de filière.
- Introduisez les nouvelles filières dans leurs logements respectifs avec le numéro de filière vers le haut. Les numéros de filière doivent correspondre à ceux des logements dans la tête de filière. Remplacez systématiquement le jeu de filières au complet.

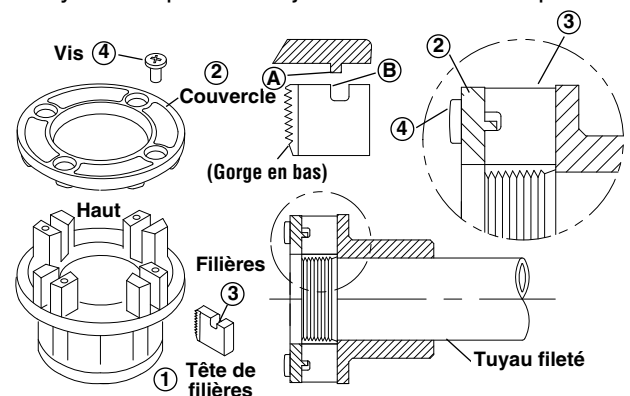


Figure 17 – Installation des filières dans la tête de filières

- Réinstallez le couvercle de la tête de filière, puis engagez les 4 vis sans les serrer.
- Engagez la tête de filière sur un tuyau ou raccord déjà fileté jusqu'à ce que les guides B des filières commencent à fileter. Cela les forcera contre les ergots A du couvercle pour donner aux filières le réglage dimensionnel approprié.
- Serrez les quatre vis à fond. Retirez la tête de filière du tuyau, puis effectuez un filetage d'essai.

### Remplacement des balais du moteur

Examinez les balais du moteur deux fois par an. Remplacez-les dès qu'ils sont usés à moins de 5/16 pouce (8 mm).

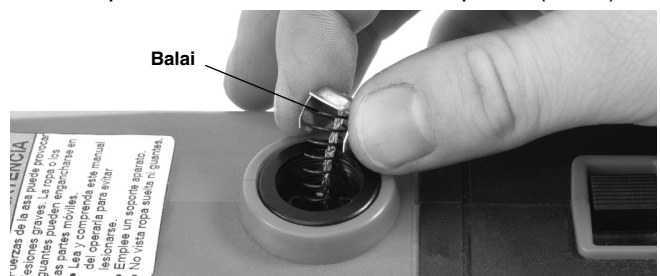


Figure 18 – Installation des balais

1. Débranchez l'appareil.
2. Dévissez les capuchons des logements de balai (Figures 1 et 2). Retirez et examinez les balais. Remplacez-les dès qu'ils sont usés à moins de  $\frac{5}{16}$  pouce (8 mm). Examinez le commutateur pour signes d'usure. Faites réviser l'appareil en cas d'usure excessive.
3. Réinstallez ou remplacez les balais et revissez les capuchons.
4. Il est recommandé de faire tourner l'appareil au ralenti pendant 15 minutes dans un sens, puis 15 minutes dans l'autre afin d'assoir les balais.

## Accessoires

### **⚠ AVERTISSEMENT**

**Afin de limiter les risques de grave blessure corporelle, n'utilisez que les accessoires spécifiquement prévus et recommandés pour les systèmes d'entraînement 600-I et 690-I tels que ceux indiqués ci-dessous. L'emploi d'accessoires prévus pour d'autres types d'appareil sur les systèmes d'entraînement 600-I et 690-I pourrait rendre ces derniers dangereux.**

#### Accessoires pour systèmes d'entraînement 600-I et 690-I

Réf. catalogue	Description
45923	Support de système d'entraînement n° 602
45928	Support de système d'entraînement n° 692
46668	Malette de transport pour 600-I
46673	Malette de transport pour 690-I
10883	Pistolet de lubrification 418 avec 1 gallon d'huile Nu-Clear
16703	Etau sur trépied TRISTAND 425 pour $\varnothing \frac{1}{8}$ à $2\frac{1}{2}$ pouces
36273	Etau sur trépied TRISTAND 460-6 pour $\varnothing \frac{1}{8}$ à 6 pouces

De plus amples renseignements concernant les accessoires spécifiquement prévus pour ces appareils se trouvent dans le catalogue RIDGID et sur le site RIDGID.com

## Stockage de l'appareil

**⚠ AVERTISSEMENT** Les systèmes d'entraînement doivent être stockés à l'intérieur ou à l'abri des intempéries. Stockez l'appareil dans un local sous clé, hors de la portée des enfants et des individus non familiers avec ce type de matériel. Laisse entre les mains d'un individu dépourvu de la formation requise, ce type d'appareil peut provoquer de graves blessures corporelles.

## Révisions et réparations

### **⚠ AVERTISSEMENT**

**Toute révision ou réparation inappropriée de l'ap-**

### **pareil risquerait de rendre son utilisation dangereuse.**

La section intitulée « Consignes d'entretien » devrait couvrir la majorité des besoins d'entretien de l'appareil. Toute anomalie qui n'est pas couverte dans cette section doit être traitée par un réparateur RIDGID indépendant agréé.

L'appareil devra alors être confié au réparateur RIDGID indépendant agréé le plus proche, ou bien renvoyé à l'usine.

Pour localiser le réparateur RIDGID le plus proche, ou bien pour poser d'éventuelles questions visant la révision ou la réparation de l'appareil, veuillez :

- Consulter le point de vente RIDGID® le plus proche.
- Visiter le site RIDGID.com pour localiser le contact RIDGID le plus proche.
- Consulter les services techniques Ridge Tool par mail adressé à : [rttechservices@emerson.com](mailto:rttechservices@emerson.com), ou par téléphone en composant le 800-519-3456 depuis les Etats-Unis ou le Canada.

## Huile de coupe

Les informations visant la manipulation et l'utilisation de l'huile de coupe RIDGID® Thread Cutting Oil se trouvent sur le récipient et sur la fiche signalétique du produit. La fiche signalétique peut être obtenue sur le site RIDGID.com ou auprès des services techniques Ridge Tool par mail adressé à : [rttechservices@emerson.com](mailto:rttechservices@emerson.com), ou par téléphone en composant le 800-519-3456 depuis les Etats-Unis ou le Canada.

## Recyclage

Certains composants des systèmes d'entraînement contiennent des matières rares susceptibles d'être recyclées. Des sociétés de recyclage spécialisées peuvent parfois se trouver localement. Recyclez ce type de matériel selon la réglementation en vigueur. Consultez les services de recyclage de votre localité pour de plus amples renseignements.



**A l'attention des pays de la CE :** Ne jamais jeter de matériel électrique dans les ordures ménagères !

Selon la directive européenne 2012/19/EU visant le recyclage des déchets électriques et électroniques, ainsi que les diverses réglementations nationales qui en découlent, tout matériel électrique non utilisable doit être trié séparément et recyclé de manière écologiquement responsable.

## Dépannage

ANOMALIE	CAUSE POSSIBLE	SOLUTION
L'appareil ne marche pas	Balais trop loin de l'armature.	Vérifier les balais. Remplacer les balais usés.
L'appareil n'arrive pas à fileter.	Filières émoussées. Surcharge due à la déchirure ou à l'ovalisation du filetage. Manque ou mauvaise qualité d'huile de coupe. Tension d'alimentation trop faible.	Remplacer les filières. Se reporter aux raisons possibles ci-dessous. Utiliser de l'huile de coupe RIDGID en quantité suffisante. Vérifier la source d'alimentation.
Des étincelles apparaissent au niveau du commutateur du moteur.	Contact entre balais et commutateur insuffisant. Mauvais contact entre balais et commutateur. Balais d'origine autre. Balais neufs.	Serrer les capuchons pour mieux appuyer les balais contre le commutateur. Remplacer les balais usés et/ou l'armature. Utiliser exclusivement les balais RIDGID®.
La tête de filière ne s'engage pas sur le tuyau.	Tête de filière mal alignée sur le tuyau. Force d'engagement mal appliquée. Embout du tuyau en faux équerre. Filières émoussées ou endommagées. Mauvais sens de rotation. Filières mal installées.	Appuyer sur le couvercle de tête de filière pour l'engager. Appliquer la force d'engagement dans l'axe du tuyau. Equerrer l'embout du tuyau. Remplacer les filières. Vérifier la position de l'inverseur de rotation. S'assurer que les guides de filière viennent à buter contre les ergots du couvercle.
Le filetage produit est endommagé.	Filières endommagées, ébréchées ou usées. Insuffisance ou non-conformité de l'huile de coupe. Filières inadaptées au type de tuyau à fileter. Tuyau de composition ou de qualité douteuse.	Remplacer les filières. Utiliser exclusivement l'huile de coupe RIDGID® Thread Cutting Oil en quantité suffisante. Prévoir les filières haute-vitesse, acier inox ou alliage appropriées. Utiliser des tuyaux de meilleure qualité.
Le filetage est ovalisé ou écrasé.	Parois de tuyau trop minces.	Prévoir des tuyaux d'une épaisseur de paroi minimale Série 40 ou supérieure.
Le support de système d'entraînement tourne en cours de filetage.	Mâchoires du support encrassées. Support mal aligné. Support desserré.	Les nettoyer à l'aide d'une brosse métallique. Réaligner le support sur le tuyau. Resserrer la vis de serrage.
Filetages minces.	Filières mal installées.	Installer les filières dans les logements appropriés.





## 600-I y 690-I



### **⚠️ ADVERTENCIA**

Antes de utilizar este aparato, lea detenidamente su Manual del Operario. Pueden ocurrir descargas eléctricas, incendios y/o graves lesiones si no se entienden y siguen las instrucciones de este manual.

#### **Accionamientos motorizados 600-I y 690-I**

Apunte aquí y guarde el número de serie del producto; se encuentra en su placa de características.

No. de  
serie

--	--


## Índice de materias


Formulario de registro para el número de serie del aparato .....	31
Simbología de seguridad.....	33
<b>Información de seguridad general para aparatos motorizados</b>	
Seguridad en la zona de trabajo .....	33
Seguridad eléctrica .....	33
Seguridad personal .....	34
Uso y cuidado de los aparatos motorizados .....	34
Servicio .....	35
<b>Información de seguridad específica</b>	
Seguridad de accionamientos motorizados .....	35
<b>Descripción, especificaciones y equipo estándar</b>	
Descripción .....	36
Equipo estándar.....	36
Especificaciones .....	37
<b>Inspección previa a la operación</b> .....	37
<b>Puesta en marcha y operación</b> .....	38
Montaje del cabezal roscador .....	39
Resistencia a las fuerzas de roscado .....	40
Roscado.....	41
Inspección de roscas .....	42
<b>Instrucciones de mantenimiento</b>	
Limpieza.....	43
Reemplazo de terrajas en cabezales roscadores 11-R.....	43
Reemplazo de cepillos en el motor .....	43
<b>Accesorios</b> .....	44
<b>Almacenamiento de la máquina</b> .....	44
<b>Servicio y reparaciones</b> .....	44
<b>Aceite de corte</b> .....	44
<b>Eliminación de la máquina</b> .....	45
<b>Resolución de problemas</b> .....	46
<b>Declaración de conformidad de la Comunidad Europea</b> .....	Interior de la carátula posterior
<b>Garantía vitalicia</b> .....	Carátula posterior


\*Traducción del manual original


## Simbología de seguridad

En este manual del operario y en el producto mismo encontrará símbolos y palabras de advertencia que comunican importante información de seguridad. Para su mejor comprensión, en esta sección se describe el significado de estas palabras y símbolos de advertencia.

 Este es el símbolo de una alerta de seguridad. Sirve para prevenir al operario de las lesiones corporales que podría sufrir. Obedezca todas las instrucciones de seguridad que acompañan a este símbolo para evitar posibles lesiones o muerte.

 **PELIGRO** Este símbolo de PELIGRO advierte de una situación de riesgo o peligro que, si no se evita, podría producir la muerte o lesiones graves.

 **ADVERTENCIA** Este símbolo de ADVERTENCIA avisa de una situación de riesgo o peligro que, si no se evita, podría producir la muerte o lesiones graves.

 **CUIDADO** Este símbolo de CUIDADO advierte de una situación de riesgo o peligro que, si no se evita, podría producir lesiones leves o moderadas.

**AVISO** Un AVISO advierte de la existencia de información relacionada con la protección de un bien o propiedad.



Este símbolo significa que es necesario leer detenidamente su manual del operario antes de usar el equipo. El manual del operario contiene información importante acerca del funcionamiento apropiado y seguro del equipo.



Este símbolo indica que cuando maneje o utilice este equipo siempre debe usar gafas o anteojos de seguridad con viseras laterales, con el fin de evitar lesiones a los ojos.



Este símbolo indica que existe el riesgo de que los dedos, manos, ropa y otros objetos se enganchen o se pellizquen en los engranajes u otras piezas giratorias de la máquina y se produzcan lesiones por aplastamiento.



Este símbolo advierte del peligro de descargas eléctricas.



Este símbolo indica que la máquina puede volcarse y causar lesiones por aplastamiento o golpes.



Este símbolo indica que el operario no debe usar guantes mientras hace funcionar esta máquina, puesto que podrían engancharse.



Este símbolo indica que debe usar un soporte para resistir las fuerzas de roscado, mejorar el control y reducir el riesgo de lesiones por golpes, aplastamiento o por otras causas.

## Información de seguridad general para aparatos motorizados\*

### ADVERTENCIA

**Lea todas las advertencias de seguridad, instrucciones, ilustraciones y especificaciones que acompañan a esta máquina eléctrica. Si no se siguen todas las siguientes instrucciones, podrían producirse descargas eléctricas, incendios y/o lesiones graves.**

### **¡GUARDE TODAS LAS ADVERTENCIAS E INSTRUCCIONES PARA POSTERIOR CONSULTA!**

El término "aparato motorizado" en las advertencias se refiere a la herramienta de trabajo que funciona ya sea enchufada a un tomacorriente (con cordón) o con baterías (sin cordón).

### Seguridad en la zona de trabajo

- Mantenga su zona de trabajo limpia y bien iluminada.

**nada.** Los lugares desordenados u oscuros pueden provocar accidentes.

- **No haga funcionar aparatos motorizados en ambientes explosivos, es decir, en presencia de líquidos, gases o polvo inflamables.** Los equipos pueden generar chispas que podrían encender los gases o el polvo.
- **Mientras haga funcionar un aparato motorizado, mantenga alejados a los niños y espectadores.** Cualquier distracción podría hacerle perder el control del aparato.

### Seguridad eléctrica

- **El enchufe del aparato eléctrico debe corresponder al tomacorriente. Jamás modifique el enchufe del aparato. No utilice un enchufe adaptador cuando haga funcionar un aparato motorizado provisto de conexión a tierra.** Los enchufes intactos y tomacorrientes que les correspondan reducen el riesgo de choques de electricidad.

\* El texto utilizado en la sección sobre Advertencias de seguridad general para aparatos motorizados se ha copiado textualmente de la correspondiente norma UL/CSA 62841, como se exige. Esta sección contiene indicaciones de seguridad general para diversos tipos de aparatos motorizados. No todas las precauciones corresponden a cada aparato, y algunas no corresponden a este accionamiento motorizado.

- **Evite el contacto de su cuerpo con artefactos conectados a tierra tales como cañerías, radiadores, estufas o cocinas, y refrigeradores.** Aumenta el riesgo de choques de electricidad si su cuerpo ofrece conducción a tierra.
- **No exponga los aparatos eléctricos a la lluvia ni permita que se mojen.** Cuando a un aparato le entra agua, aumenta el riesgo de choques de electricidad.
- **No maltrate el cordón eléctrico del aparato. Nunca transporte el aparato tomándolo de su cordón eléctrico ni jale del cordón para desenchufarlo del tomacorriente. Mantenga el cordón alejado del calor, aceite, bordes cortantes o piezas móviles.** Un cordón enredado o en mal estado aumenta el riesgo de choques de electricidad.
- **Al hacer funcionar un aparato eléctrico a la intemperie, emplee un cordón de extensión fabricado para uso exterior.** Los alargadores diseñados para su empleo al aire libre reducen el riesgo de choques de electricidad.
- **Si resulta inevitable el empleo de una máquina eléctrica en un sitio húmedo, enchúfela en un tomacorriente GFCI (dotado de un Interruptor del Circuito de Pérdida a Tierra).** El interruptor GFCI reduce el riesgo de choques de electricidad.

### Seguridad personal

- **Manténgase alerta, preste atención a lo que está haciendo y use el sentido común cuando haga funcionar algún equipo motorizado. No use ningún equipo si usted está cansado o se encuentra bajo la influencia de drogas, alcohol o medicamentos.** Tan solo un breve descuido durante el funcionamiento de un aparato motorizado puede resultar en lesiones graves.
- **Use equipo de protección personal. Siempre use protección para los ojos.** Según corresponda para cada situación, colóquese equipo de protección como mascarilla para el polvo, calzado de seguridad antideslizante, casco o protección para los oídos, con el fin de reducir las lesiones personales.
- **Evite echar a andar un aparato sin querer. Asegure que el interruptor de la herramienta se encuentra en la posición OFF (apagado) antes de enchufar el aparato a la corriente eléctrica o de conectarlo a sus baterías, de tomarlo o acarrearlo.** Se producen accidentes cuando se transportan aparatos con el dedo puesto sobre su interruptor, o se los enchufa o conecta a la fuente de corriente con el interruptor en la posición de encendido (ON).
- **Extraiga cualquier llave que esté acoplada al apa-**

**rato motorizado antes de encenderlo.** Una llave acoplada a una pieza o parte giratoria del aparato motorizado puede producir lesiones personales.

- **No trate de extender el cuerpo para alcanzar algo. Tenga los pies bien plantados y mantenga el equilibrio en todo momento.** Esto permite un mejor control del equipo en situaciones inesperadas.
- **Vístase adecuadamente. No lleve ropa suelta ni joyas. Mantenga su cabello, ropa y guantes apartados de las piezas en movimiento.** La ropa suelta, las joyas o el pelo largo pueden engancharse en las piezas móviles.
- **Si se proveen dispositivos para la extracción y recolección del polvo cuando se usa el aparato, conéctelos y empléelos correctamente.** El uso de mecanismos que limpian el aire en el ambiente de trabajo reduce el riesgo de problemas generados por el polvo.
- **No deje que su familiarización debido al uso frecuente del aparato lo lleve a hacer caso omiso de los principios de seguridad de las herramientas.** Cualquier descuido podría causar lesiones graves en una fracción de segundo.

### Uso y cuidado de los aparatos motorizados

- **No fuerce los aparatos. Use el equipo correcto para la tarea que está por realizar.** Con el equipo adecuado se hará mejor el trabajo y en forma más segura en la clasificación nominal para la cual fue diseñado.
- **Si el interruptor del aparato no lo enciende (ON) o no lo apaga (OFF), no utilice el aparato.** Cualquier herramienta que no se pueda controlar mediante su interruptor es un peligro y debe repararse.
- **Antes de hacer ajustes, cambiar accesorios o de almacenar el aparato, desenchúfelo y/o extráigale las baterías, si es posible.** Estas medidas de seguridad preventiva reducen el riesgo de poner el aparato en marcha involuntariamente.
- **Almacene los aparatos motorizados que no estén en uso fuera del alcance de los niños y no permita que los hagan funcionar personas que no estén familiarizadas con los aparatos o no hayan leído estas instrucciones de operación.** Los equipos que estén en manos de personas no capacitadas son peligrosos.
- **Haga la mantención necesaria de los aparatos motorizados y sus accesorios. Revise el equipo para verificar que las piezas móviles no estén mal alineadas o agarrotadas. Verifique que no tenga**

partes quebradas ni presente alguna otra condición que podría afectar su funcionamiento. Si un aparato está dañado, hágalo reparar antes de utilizarlo. Muchos accidentes se deben a equipos motorizados que no han recibido un mantenimiento adecuado.

- **Mantenga las hojas y fillos de corte afilados y limpios.** Las herramientas para cortar provistas de fillos afilados son menos propensas a trabarse y son más fáciles de controlar.
- **Utilice la herramienta motorizada, accesorios y acoplados, etc., únicamente conforme a estas instrucciones, tomando en cuenta las condiciones de trabajo y la tarea que debe realizar.** El uso de la herramienta motorizada para trabajos diferentes a los que le corresponden podría producir una situación peligrosa.
- **Mantenga los mangos y superficies de agarre secos, limpios y exentos de aceite o grasa.** Si los mangos o superficies de agarre están resbalosos, el aparato no se puede manipular en forma segura ni controlar en situaciones inesperadas.

## Servicio

- **Encomiende el servicio de la herramienta motorizada únicamente a técnicos calificados que usen repuestos idénticos a las piezas originales.** Así se garantiza la continua seguridad del aparato.

## Información de seguridad específica

### **⚠ ADVERTENCIA**

**Esta sección contiene información de seguridad importante que es específica para esta herramienta.**

**Antes de utilizar los accionamientos motorizados, lea estas instrucciones detenidamente para reducir el riesgo de choque de electricidad o de lesiones personales graves.**

### **¡GUARDE ESTAS INSTRUCCIONES!**

Mantenga este manual junto con la máquina, para que lo use el operario.

## Seguridad de los accionamientos motorizados

- **Siempre use el soporte que se proporciona con el aparato.** Si pierde el control del aparato durante el funcionamiento, pueden producirse lesiones personales.
- **Mantenga las mangas y chaquetas abrochadas cuando el aparato esté en marcha. No estire el**

**cuerpo para alcanzar algo por encima del aparato o del tubo.** La ropa podría quedar enganchada en el tubo o en el aparato, produciendo un enmarañamiento.

- **Un solo operario debe controlar el proceso de trabajo y el funcionamiento del aparato.** Si alguien más está presente en el proceso, el aparato podría echarse a andar en forma inadvertida y causar lesiones personales.
  - **Mantenga el piso seco y exento de materiales resbalosos como el aceite.** Los pisos resbaladizos provocan accidentes.
  - **No use guantes cuando haga funcionar la máquina. No estire el brazo por encima de la máquina ni de un tubo.** La máquina o el tubo pueden enganchar los guantes y enmarañarlos.
  - **Siempre agarre el accionamiento motorizado firmemente cuando rosque un tubo o cuando retire el cabezal roscador del tubo, para resistir las fuerzas de roscado, aunque esté usando un soporte.** Esto reduce el riesgo de lesiones por golpes, aplastamiento u otras causas.
  - **Siga las instrucciones para usar esta máquina como es debido. No la utilice para otros fines, como perforar agujeros o girar un malacate.** Si usa la máquina para otros fines o la modifica para otras tareas, aumenta el riesgo de causar lesiones graves.
  - **No use este accionamiento motorizado si está averiado el interruptor de encendido y apagado (ON/OFF).** Este interruptor es un dispositivo de seguridad que le permite apagar el motor al soltar el interruptor.
  - **No use terrajas dañadas o mal afiladas.** Las herramientas de corte bien afiladas exigen un menor par de torsión y facilitan el control del accionamiento motorizado.
  - **Mantenga los mangos secos y limpios, exentos de aceite y grasa lubricante.** Esto permite un mejor control de la máquina.
  - **Utilice solamente cabezales roscadores RIDGID con los accionamientos motorizados RIDGID.** Otros cabezales roscadores podrían no ajustarse bien al accionamiento motorizado, lo cual aumenta el riesgo de dañar la máquina y causar lesiones personales.
- Si tiene alguna pregunta acerca de este producto RIDGID®:
- Comuníquese con el distribuidor RIDGID en su localidad.

- Visite RIDGID.com para averiguar dónde se encuentran los centros autorizados de RIDGID más cercanos.
- Comuníquese con el Departamento de Servicio Técnico de Ridge Tool en rttechservices@emerson.com, o llame por teléfono desde EE. UU. o Canadá al (800) 519-3456.

## Descripción, especificaciones y equipo estándar

### Descripción

Los accionamientos motorizados Modelo 600-I y Modelo 690-I de RIDGID® tienen un mecanismo de transmisión con aislamiento doble que suministra potencia para roscar tubos y tuberías para conductores. La rotación hacia adelante (avance) o en reversa (retroceso) se puede seleccionar con un interruptor corredizo. El encendido y apagado (ON/OFF) se controla mediante un interruptor de contacto momentáneo de dos pasos.

El accionamiento motorizado 600-I está diseñado para usar cabezales roscadores encajables 11-R, para tubos de 1/8" a 1 1/4". El accionamiento motorizado 690-I está diseñado para usar cabezales roscadores encajables 11-R, para tubos de 1/8" a 2". Se exige un adaptador para usar el accionamiento motorizado 690-I con tubos de 1/8" a 1 1/4" de diámetro. El adaptador y los tubos de 1 1/2" a 2" se sostienen en el accionamiento motorizado 690-I mediante un mecanismo de retención.



Figura 1 – Accionamiento motorizado Modelo 600-I



Figura 2 – Accionamiento motorizado Modelo 690-I



Figura 3 – Brazos de soporte 602 y 692

La placa con el número de serie de los accionamientos motorizados 600-I y 690-I está ubicada debajo de la caja del motor. Los últimos cuatro dígitos del número de serie indican el mes y el año de fabricación (MMAA).

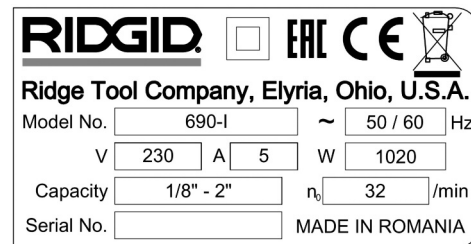


Figura 4 – Número de serie de la máquina

### Equipo estándar

Los accionamientos motorizados se suministran con:

- Accionamiento motorizado
- Adaptador 690-I (solo para el 690-I)
- Manual del operario

**AVISO** La selección de los materiales y del método de unión o junta apropiados es responsabilidad del diseñador y/o del instalador del sistema. La selección de materiales o métodos que no son apropiados podría causar una falla del sistema.

## Especificaciones

Parámetro	Accionamiento motorizado 600-I	Accionamiento motorizado 690-I
Diámetro de tubos a roscar	1/8 pulg. a 1 1/4 pulg. (3 a 32 mm)	1/8 pulg. a 2 pulg. (3 a 50 mm)
Sujeción del cabezal roscador	Aro de sujeción	Mecanismo de retención (1 1/2 a 2 pulg.) Aro de sujeción (1/8 a 1 1/4 pulg.)
Roscado a mano izquierda	Sí	Sí
Brazo de soporte	Nº 602, Nº 601	Nº 692, Nº 691
Adaptador	No se exige.	Utilizado con cabezales roscadores de 1/8" a 1 1/4".
Tipo de motor	Motor universal monofásico	Motor universal monofásico
Potencia (W)	1270 (120 V), 1020 (220-240 V)	1270 (120 V), 1020 (220-240 V)
Voltaje/ fase disponible	120 V / 1ph, 220-240 V / 1ph	120 V / 1ph, 220-240 V / 1ph
Amperes	12 A (120 V), 5 A (220-240 V)	12 A (120 V), 5 A (220-240 V)
Velocidad de funcionamiento (RPM)	36 (120 V), 32 (220-240 V)	36 (120 V), 32 (220-240 V)
Controles	Interruptor corredizo de avance/retroceso (F/R) Interruptor ON/OFF de contacto momentáneo, de dos pasos	Interruptor corredizo de avance/retroceso (F/R) Interruptor ON/OFF de contacto momentáneo, de dos pasos
Cabezal de engranajes	Aluminio fundido a presión, engrasado permanentemente	Aluminio fundido a presión, engrasado permanentemente
Longitud	20 pulg. (508 mm)	24,13 pulg. (613 mm)
Ancho	3,75 pulg. (95 mm)	4,75 pulg. (121 mm)
Altura	7,5 pulg. (191 mm)	8 pulg. (203 mm)
Peso	12,65 libras (5,7 kg)	21,15 libras (9,6 kg)
Presión sonora (L <sub>PA</sub> )*	83 dB(A), K=3	83 dB(A), K=3
Potencia sonora (L <sub>WA</sub> )*	94 dB(A), K=3	94 dB(A), K=3
Vibración*	< 2,5 m/s <sup>2</sup> , K=1,5	< 2,5 m/s <sup>2</sup> , K=1,5

\* Las mediciones de sonido y vibración se hacen conforme a una prueba estandarizada según la norma IEC62841-1.

- Los niveles de vibración pueden usarse para hacer comparaciones con otras herramientas y para una evaluación preliminar de la exposición.

- Las emisiones de sonido y vibración podrían variar según la ubicación del operario y el uso específico de estos aparatos.

- Es necesario evaluar los niveles diarios de exposición al sonido y a la vibración para cada aplicación. Es necesario tomar medidas de seguridad cuando sean necesarias. La evaluación de los niveles de exposición debe tomar en cuenta el tiempo durante el cual el aparato está apagado y no se está usando. Esto puede reducir significativamente el nivel de exposición durante el período total de trabajo.

El acero inoxidable y otros materiales resistentes a la corrosión se podrían contaminar durante la instalación, unión o formado. Esta contaminación podría causar corrosión y fallas prematuras. Antes de comenzar una instalación se requiere efectuar una minuciosa evaluación de los materiales y métodos usados para las condiciones específicas del servicio, incluyendo las condiciones químicas y la temperatura.

## Inspección previa a la operación

### ⚠ ADVERTENCIA



**Antes de usar el accionamiento motorizado, hágale una inspección y corrija cualquier problema, para reducir el riesgo de lesiones graves producidas por choque de electricidad, aplastamiento y otras causas, y para proteger la máquina contra daños.**

1. Asegure que el accionamiento motorizado esté desenchufado.
2. Limpie el aceite, grasa y suciedad presentes en el accionamiento motorizado y el soporte, incluyendo los mangos y controles. Esto facilita su inspección y ayuda a evitar que la máquina o los controles se resbalen de sus manos.
3. Inspeccione el accionamiento motorizado y el brazo de soporte para verificar lo siguiente:
  - El cordón y el enchufe no están dañados ni se han modificado.
  - Están bien ensamblados, bien mantenidos y completos.
  - No hay piezas dañadas, mal colocadas o enredadas.
  - El interruptor ON/OFF de contacto momentáneo, de dos pasos, funciona bien (Figura 5).
  - Las ranuras de las mordazas del soporte están limpias y en buenas condiciones. Las ranuras de las mordazas se pueden limpiar con un cepillo de alambre.

- La etiqueta de advertencia está presente y legible.
- No existe ninguna condición que impida su funcionamiento seguro y normal.

Si se encuentra algún problema, no utilice el accionamiento motorizado hasta que se hayan reparado las fallas.

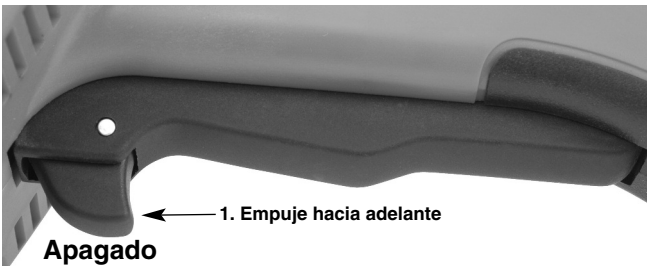


Figura 5A – Interruptor ON/OFF de contacto momentáneo, de dos pasos

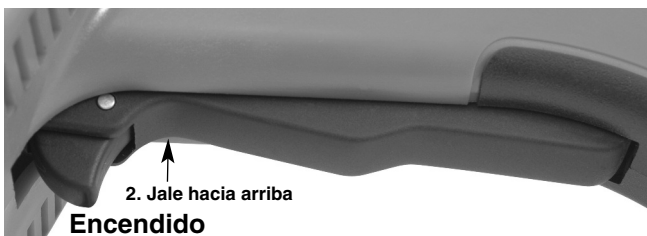


Figura 5B – Interruptor ON/OFF de contacto momentáneo, de dos pasos

4. Inspeccione los bordes cortantes de las terrajas para verificar que no estén deformados, desportillados o que presenten otros problemas. Los dispositivos de corte desafilados o dañados exigen mayor fuerza para funcionar, producen roscas de mala calidad y aumentan el riesgo de lesiones.
5. Revise cualquier otro equipo que se use y hágale mantenimiento conforme a sus instrucciones para asegurar su buen funcionamiento.
6. Después de seguir las instrucciones de Puesta en marcha y operación, revise el accionamiento motorizado para asegurar que funcione bien.
  - Coloque el interruptor F/R (avance/retroceso) en la posición de avance (F). Oprima y suelte el interruptor ON/OFF (Figura 5). Confirme que el accionamiento motorizado gira hacia la derecha (vea la Figura 6) y que se detiene cuando se suelta el interruptor.
  - Repita el procedimiento con el interruptor en la posición de retroceso (R), para que el aparato gire hacia la izquierda. Si el accionamiento motorizado no gira en el sentido correcto, o si el interruptor ON/OFF no controla el funcionamiento de la máquina, no use el accionamiento motorizado hasta que lo haga reparar.

**AVISO** Cambie la posición del interruptor corredizo F/R solamente cuando el interruptor de gatillo ON/OFF no esté oprimido. Permita que el accionamiento motorizado

se detenga por completo antes de invertir el sentido de la rotación con el interruptor F/R. Esto reduce el riesgo de dañar el accionamiento motorizado.

- Oprima y mantenga oprimido el interruptor ON/OFF. Inspeccione las piezas móviles para verificar que no estén desalineadas o atascadas, que no hagan ruidos extraños ni presenten otros problemas. Suelte el interruptor ON/OFF. Si encuentra alguna condición extraña, no use la máquina hasta que la haga reparar.

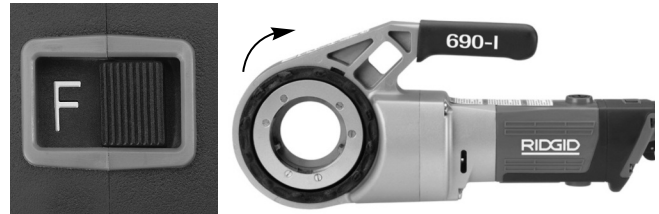


Figura 6A – Posición de avance (F) (hacia la derecha) del interruptor

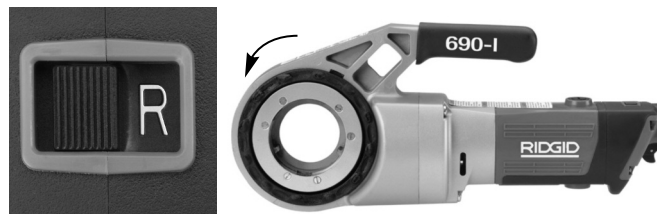


Figura 6B – Posición de retroceso (R) (hacia la izquierda) del interruptor

7. Suelte el interruptor ON/OFF; con las manos secas, desenchufe la máquina.

## Puesta en marcha y operación

### ⚠ ADVERTENCIA



**Instale y haga funcionar el accionamiento motorizado de acuerdo con estos procedimientos, para reducir el riesgo de lesiones causadas por choque de electricidad, enmarañamientos, golpes, aplastamiento y otras causas, y para proteger el accionamiento motorizado contra daños.**

**Use un aparato de soporte apropiado, conforme a estas instrucciones. Los soportes mejoran el control y reducen el riesgo de lesiones por golpes, aplastamiento u otras causas.**

**Cuando haga el roscado de tubos de 3/4" o mayor diámetro, use un soporte para oponer resistencia a las fuerzas de roscado. Use un soporte adecuado conforme a estas instrucciones. Los soportes mejoran el control y reducen el riesgo de lesiones por golpes, aplastamiento u otras causas.**

**Cuando use un soporte que sea diferente al brazo de**



**soporte suministrado, dicho soporte debe ejercer reacción contra la caja de engranajes o la caja del ventilador. Si el soporte está apoyado contra la caja del motor o el mango, podrían dañarse estas partes o aumentar el riesgo de lesiones.**

**Siempre agarre el accionamiento motorizado firmemente cuando rosque un tubo o cuando aleje el cabezal roscador del tubo, para resistir las fuerzas de roscado, aunque esté utilizando un soporte. Esto reduce el riesgo de lesiones por golpes, aplastamiento u otras causas.**

**No use guantes ni ropa suelta cuando haga funcionar máquinas. Mantenga abotonadas las chaquetas y las mangas. La ropa suelta se puede enredar en las piezas giratorias y causar lesiones por aplastamiento o golpes.**

**Asegure que el tubo tenga soporte. Esto reduce el riesgo de caídas y volcamientos del tubo y de causar lesiones graves.**

**No use un accionamiento motorizado sin un interruptor ON/OFF y un interruptor corredizo F/R que estén en buen estado de funcionamiento.**

**Una sola persona debe controlar el trabajo y el interruptor ON/OFF. No debe operarse con más de una sola persona. Si se produce un enganche, el operario debe ser capaz de controlar el interruptor ON/OFF.**

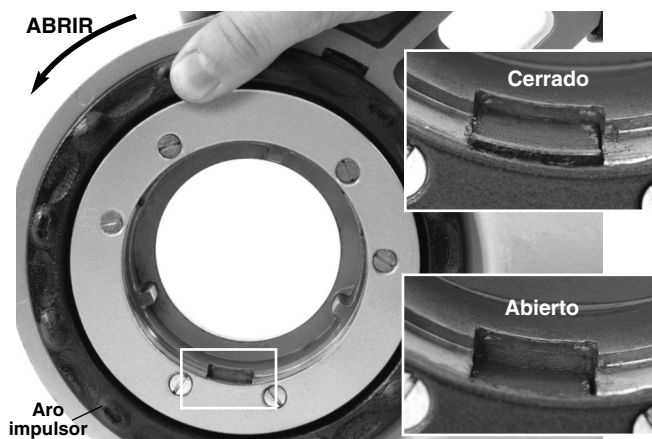
1. Revise la zona de trabajo para verificar lo siguiente:
  - Hay suficiente luz.
  - No hay líquidos, gases ni polvo que puedan incendiarse. Si éstos están presentes, no trabaje en ese lugar hasta que identifique y corrija estos problemas. Los accionamientos motorizados no son a prueba de explosiones y pueden generar chispas.
  - El lugar para el operario y todos los equipos está despejado, nivelado y seco, y es estable.
  - Hay buena ventilación. No use el aparato durante períodos prolongados en lugares encerrados pequeños.
  - Hay un tomacorriente del voltaje apropiado y con el cableado correcto. Si tiene alguna duda, pida a un electricista acreditado que inspeccione el tomacorriente.
  - Hay una senda despejada entre la máquina y el tomacorriente, donde no hay nada que podría dañar el cable.
2. Inspeccione el tubo que va a roscar y los acoplamientos correspondientes, para confirmar que el accionamiento motorizado que ha seleccionado es la máquina apropiada para la tarea. Vea las *Especificaciones*. No use la máquina para roscar material que no sea lineal y recto.

Puede encontrar máquinas para otras aplicaciones en el catálogo de Ridge Tool, en línea en RIDGID.com o llame al Departamento de Servicio Técnico de Ridge Tool al 800-519-3456.

3. Asegure que se hayan inspeccionado correctamente los aparatos que usará.
4. Prepare el tubo adecuadamente, según sea necesario. Asegure que el corte del tubo sea recto y que esté desbarbado. Los tubos cortados en ángulo pueden dañar las terrajas durante el roscado o dificultar la conexión con el cabezal roscador.

### Montaje del cabezal roscador

5. Montaje de un cabezal roscador o adaptador para 1½" o 2" en la máquina 690-I:
  - a. Asegure que el interruptor ON/OFF no esté oprimido y que esté desenchufado el accionamiento motorizado.
  - b. Haga girar el aro impulsor hacia la izquierda para abrir la posición. Encaje a fondo el extremo ranurado del cabezal roscador o adaptador (si se necesita) en el accionamiento motorizado (*Figura 7*).
  - c. Suelte el aro impulsor y confirme que esté bien encajado el cabezal roscador o adaptador.
  - d. Para desmontar el cabezal roscador o adaptador, siga este procedimiento en orden inverso.



**Figura 7 – Aro impulsor en posición abierta o cerrada**



Figura 8 – Montaje del adaptador en la máquina 690-I

6. Montaje de un cabezal roscador de 1 1/4" o menos:
  - a. Asegure que el interruptor ON/OFF no esté oprimido y que esté desenchufado el accionamiento motorizado del tomacorriente.
  - b. Si se necesita el adaptador, colóquelo en la máquina 690-I (Figura 8).
  - c. En línea recta, inserte el extremo octagonal del cabezal roscador 11-R en el accionamiento motorizado, hasta que quede asegurado por el aro de sujeción. En la máquina 690-I, el cabezal roscador se puede insertar en cualquiera de los dos lados del accionamiento motorizado. Con la 690-I, el cabezal roscador se puede insertar solamente desde el lado correspondiente al adaptador.
  - d. Para extraer el cabezal roscador, jálalo del accionamiento motorizado. Si resulta necesario, use un martillo de maza blanda o un bloque de madera para sacar a golpecitos el cabezal roscador. No golpee directamente sobre el cabezal roscador porque podría dañarlo.



Figura 9 – Montaje de un cabezal roscador en un accionamiento motorizado 600-I

7. Coloque el interruptor corredizo F/R del accionamiento motorizado en posición de avance o de retroceso, según quiera una rosca a mano derecha o a mano izquierda. Vea la Figura 10.

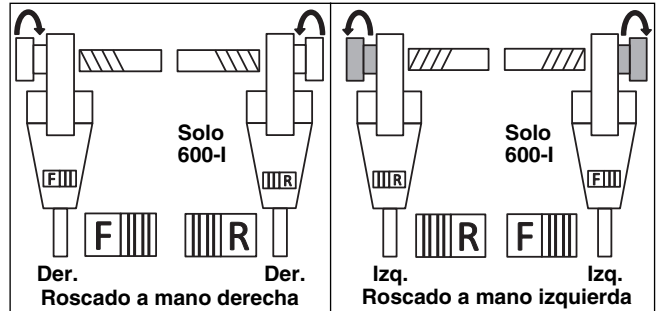


Figura 10 – Orientación del interruptor corredizo y el cabezal roscador

8. Asegure que el tubo que va a roscar esté bien sujeto y estable, para que no se vuelque durante el trabajo. Use soportes del tamaño adecuado para la longitud del tubo.
9. Revise el nivel del aceite de roscado de RIDGID en la aceitera 418 de RIDGID. Extraiga la bandeja de virutas y confirme que la malla del filtro esté limpia y completamente sumergida en el aceite. Reponga el aceite o agregue más aceite si fuera necesario. Coloque el cubo aceitero 418 debajo del extremo del tubo que se va a roscar.

### Resistencia a las fuerzas de roscado

Con el brazo de soporte suministrado:

- a. Siempre use el brazo de soporte suministrado (brazo de soporte 601 o 602 para la máquina 600-I, brazo de soporte 691 o 692 para la máquina 690-I), a no ser que no se pueda usar por falta de espacio o por alguna otra limitación. El brazo de soporte se fija al tubo con mordazas y ayuda a resistir las fuerzas de roscado.
- b. Coloque el brazo de soporte sobre el tubo de manera que el extremo del brazo esté alineado con el extremo del tubo, y la parte superior del soporte esté en posición horizontal (Figura 11). Esto coloca el brazo de soporte en la posición correcta para el roscado e impide que el aceite de roscado penetre en el motor (Figura 12).
- c. Asegure que las mordazas del brazo de soporte estén alineadas para que su contacto sea paralelo al eje del tubo. Apriete el brazo de soporte para fijarlo al tubo.

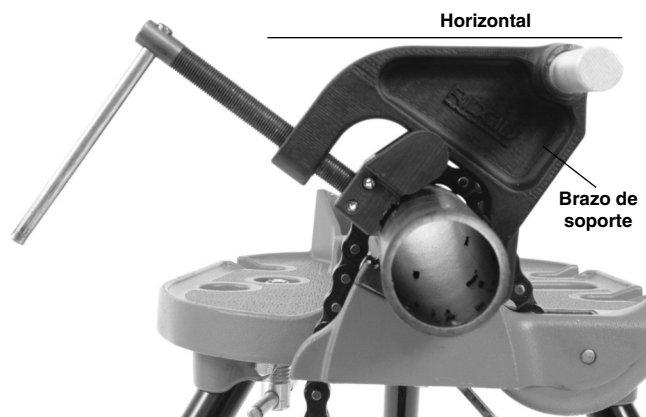


Figura 11A – Colocación del brazo de soporte en su posición

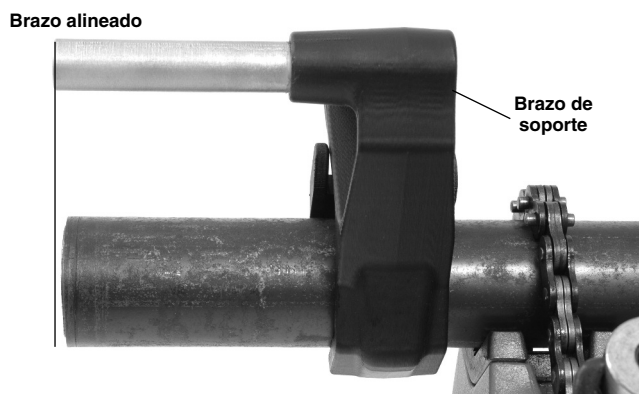


Figura 11B – Colocación del brazo de soporte en su posición



Figura 12 – Orientación correcta del accionamiento motorizado

Cuando no es posible usar el brazo de soporte:

Si es necesario roscar un tubo ya montado en su lugar o en situaciones semejantes, podría ser imposible usar el brazo de soporte porque no hay espacio suficiente.

- a. Si es posible, extraiga el tubo y use una prensa de tornillo para agarrar el tubo durante el roscado. Si esto no es posible, debe usar algún otro soporte para resistir las fuerzas de roscado. Por ejemplo, puede colocar la caja de engranajes o la caja del

ventilador del accionamiento motorizado contra un elemento estructural adyacente (por ejemplo, muros, vigas y viguetas de techo). Para hacer esto, el tubo y sus alrededores tienen que ser capaces de soportar el peso de la máquina y las fuerzas de roscado. Podría ser necesario agregar soportes o elementos estructurales tempo-rarios o permanentes para sostener el tubo.

- b. Para el roscado a mano derecha, el cabezal roscador gira a la derecha (en el sentido de las manecillas del reloj si se está mirando el frente del cabezal roscador). Las fuerzas originadas por el par de torsión del roscado tienen una dirección opuesta, o sea, hacia la izquierda. Para el roscado a mano izquierda, cambian de sentido la rotación del cabezal y las fuerzas de roscado. Asegure que el soporte esté montado de manera que pueda absorber apropiadamente las fuerzas de roscado.
- c. No coloque el motor del accionamiento motorizado ni su mango contra elementos estructurales adyacentes para que opongan resistencia a las fuerzas de roscado, ya que esto puede dañar el accionamiento motorizado.
- d. Mantenga el accionamiento motorizado adosado al elemento estructural, sin colocar los dedos ni las manos entre el accionamiento motorizado y el elemento estructural de apoyo. Cuando haga el retroceso del cabezal roscador después de efectuar el roscado, agárrelo firmemente para resistir las fuerzas que fracturan las virutas de roscado. Esto reduce el riesgo de lesiones por golpes, aplastamiento u otras causas. Puede soltar el interruptor ON/OFF en cualquier momento para apagar el accionamiento motorizado.

Siempre agarre firmemente el accionamiento motorizado cuando haga el roscado o cuando haga el retroceso del cabezal para quitarlo del tubo, con el fin de resistir las fuerzas, aunque use un soporte. Esto reduce el riesgo de lesiones por golpes, aplastamiento u otras causas. Puede soltar el interruptor ON/OFF en cualquier momento para apagar el accionamiento motorizado.

## Roscado

10. Con las manos secas, enchufe el accionamiento motorizado.
11. Coloque el cabezal roscador sobre el extremo del tubo y apoye el accionamiento motorizado según se indica en la sección *Resistencia a las fuerzas de roscado*.



Figura 13 – Inicio del roscado

- Al mismo tiempo, coloque el interruptor ON/OFF en posición de encendido y empuje contra la tapa del cabezal roscador con la palma de la mano contraria, para iniciar el roscado. No use guantes ni joyas, y no use un paño mientras presiona la tapa del cabezal. Esto aumenta el riesgo de enmarañarse y sufrir una lesión. Una vez que las terrajas hagan contacto con el tubo, se van cortando las roscas a medida que las terrajas se incrustan en el extremo del tubo.

Siempre agarre el mango del cabezal roscador con firmeza, para resistir las fuerzas transmitidas por el mango. Los soportes se pueden resbalar y permitir el desplazamiento del accionamiento motorizado. Puede soltar el interruptor ON/OFF en cualquier momento para apagar el accionamiento motorizado.

- Deje de empujar la tapa del cabezal y use una aceitera para aplicar una cantidad abundante de aceite de corte RIDGID a la zona roscada. Esto reduce el par de torsión del roscado, mejora la calidad de las roscas y prolonga la vida útil de las terrajas.



Figura 14 – Roscado de un tubo

- Oprima el interruptor ON/OFF hasta que el extremo del tubo esté al ras con el borde de las terrajas. Luego suelte el interruptor. Permita que el accionamiento motorizado se detenga por completo.

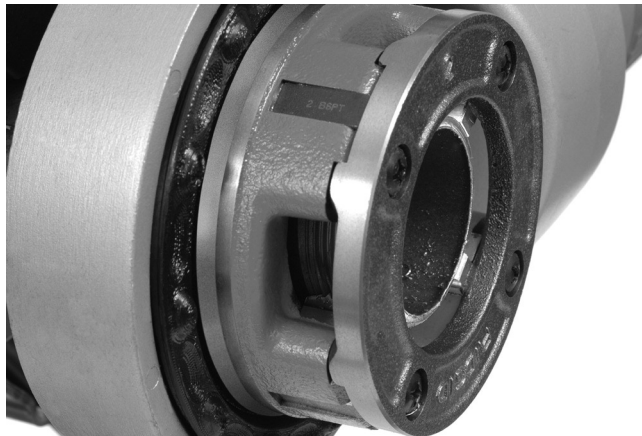


Figura 15 – El extremo del tubo está al ras con el borde de las terrajas

- Coloque el interruptor F/R en posición de retroceso y oprima el interruptor ON/OFF para retraer el cabezal roscador del tubo roscado. Agarre con firmeza el mango del accionamiento motorizado para resistir las fuerzas generadas durante la retracción del cabezal roscador.

**AVISO** Cambie la posición del interruptor F/R solamente si ha soltado el interruptor ON/OFF. Permita que el accionamiento motorizado se detenga por completo antes de cambiar a retroceso mediante el interruptor corredizo F/R. Esto reduce el riesgo de dañar el accionamiento motorizado.

- Suelte el interruptor y retire del tubo el accionamiento motorizado y el cabezal roscador.
- Con las manos secas, desenchufe el accionamiento motorizado.
- Con un paño, limpie las roscas y el cabezal roscador para quitar el aceite y residuos. Procure no cortarse con los residuos o bordes filosos. Limpie cualquier derrame de aceite que haya en el lugar de trabajo.

### Inspección de roscas

- Quite el aceite, virutas o residuos de la rosca.
- Haga la inspección visual de las roscas. Las roscas deben verse lisas, completas y bien formadas. Si se observan problemas tales como roscas rotas o delgadas, o el tubo está ovalado, es posible que la rosca no forme un sello hermético en una conexión. Consulte la tabla de “Resolución de problemas” para diagnosticar estas fallas.
- Inspeccione el tamaño de la rosca. El método preferi-

do para revisar el tamaño de la rosca es mediante un calibrador anular. Hay calibradores anulares de diversos estilos; su uso puede ser diferente a lo que se muestra en la *Figura 16*.

- Enrosque el calibrador anular en la rosca y apriete la conexión con la mano.
- Observe el extremo del tubo y vea cuánto se asoma más allá del calibrador anular. El extremo del tubo debe quedar al ras con el borde del calibrador, más/menos una vuelta. Si la rosca no mide lo que corresponde, corte el tubo para eliminar la rosca, ajuste el cabezal roscador y corte otra rosca. El uso de una rosca que no cumple con la medición correcta puede causar fugas.

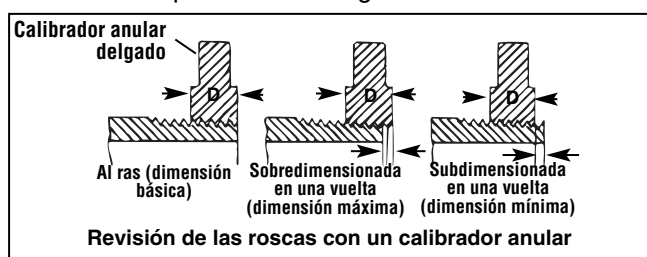


Figura 16 – Revisión del tamaño de la rosca

- Si no dispone de un calibrador anular para verificar el tamaño de la rosca, se puede usar en su lugar un acoplamiento limpio, nuevo y representativo de los que se están empleando en la obra. Para roscas NPT de 2 pulgadas o menos, el tubo debe labrarse para poder apretar la conexión con 4 a 5 vueltas a mano con el acoplamiento. Para roscas BSPT de 2 pulgadas o menos, la conexión se logra apretar con 3 vueltas a mano.

## Instrucciones de mantenimiento

### ⚠ ADVERTENCIA

**Antes de cualquier tarea de mantenimiento o de hacer ajustes, asegure que el interruptor ON/OFF no esté oprimido y que esté desenchufado el accionamiento motorizado.**

**Haga la mantención de la máquina de acuerdo con estos procedimientos para reducir el riesgo de lesiones por choque de electricidad, enmarañamiento y otras causas.**

### Limpieza

1. Después de cada uso, vacíe la bandeja de virutas de la aceitera 418 y con un paño quite los residuos de aceite.
2. Con un paño, limpie el accionamiento motorizado, incluyendo los mangos y controles, para quitarles el

aceite, grasa, virutas o suciedad. Limpie el mecanismo de retención del aparato 690-I.

3. Con un paño, limpie el brazo de soporte para quitarle el aceite, grasa o suciedad. Si fuera necesario, limpie las mordazas del brazo de soporte con un cepillo de alambre.
4. Elimine las virutas y suciedad del cabezal roscador.

## Reemplazo de terrajas en cabezales roscadores 11-R

Se dispone de toda una gama de terrajas para su colocación en cabezales roscadores 11-R de RIDGID. Vea su disponibilidad en el catálogo.

1. Extraiga los cuatro tornillos ④ de la tapa ② y quite la tapa.
2. Quite las terrajas usadas ③ del cabezal roscador.
3. Inserte terrajas nuevas en las ranuras, con el extremo que tiene el número orientado hacia arriba. El número en cada terraja debe corresponder al número en la ranura para terrajas. Siempre reemplace el conjunto de terrajas completo.

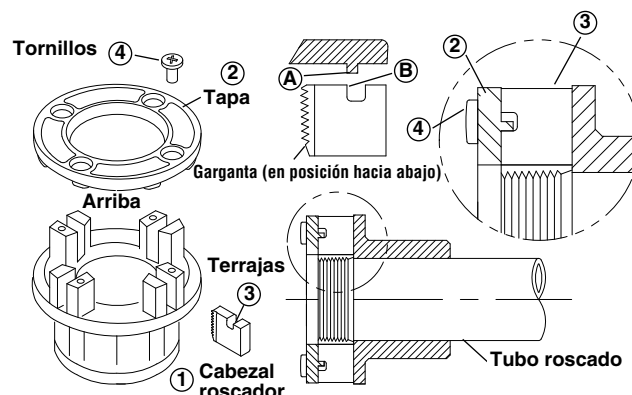


Figura 17 – Colocación de terrajas en el cabezal roscador

4. Vuelva a colocar la tapa y atornille los cuatro tornillos sin que queden demasiado apretados.
5. Coloque el cabezal roscador sobre tubo ya roscado hasta que las terrajas comiencen el roscado. Esto impulsa la ranura en las terrajas B hacia afuera y contra las orejetas A en la tapa, para fijar correctamente el tamaño de la rosca.
6. Apriete bien los cuatro tornillos. Extraiga el tubo roscado y haga un roscado de prueba.

## Reemplazo de cepillos en el motor

Revise los cepillos del motor cada 6 meses. Reemplace los cepillos cuando estén desgastados a menos de  $\frac{5}{16}$  pulgada (8 mm).



Figura 18 – Colocación del cepillo

1. Desenchufe la máquina del tomacorriente.
2. Desatornille las tapas de los cepillos (Figura 1 y Figura 2). Extraiga los cepillos e inspecciónelos. Reemplace los cepillos cuando estén desgastados a menos de  $\frac{5}{16}$  pulgada (8 mm). Inspeccione el conmutador para asegurar que no esté desgastado. Si está muy desgastado, la máquina debe enviarse a servicio técnico.
3. Vuelva a montar los cepillos o instale cepillos nuevos, y apriete bien las tapas de los cepillos.
4. La mejor práctica es encender el motor y dejarlo andando sin carga durante 15 minutos en posición de avance y luego dejarlo andando durante 15 minutos en posición de retroceso, para asentar los cepillos en el conmutador antes de usar la máquina.

## Accesorios

### ⚠ ADVERTENCIA

**Para reducir el riesgo de lesiones graves, use solamente accesorios específicamente diseñados y recomendados para los accionamientos motorizados 600-I y 690-I, tales como los que se nombran en la lista siguiente. El uso de otros accesorios apropiados para otras herramientas podría ser peligroso con los accionamientos motorizados 600-I y 690-I.**

### Accesorios de los accionamientos motorizados 600-I y 690-I

No. en el catálogo	Descripción
45923	Brazo de soporte 602
45928	Brazo de soporte 692
46668	Maletín de transporte 600-I
46673	Maletín de transporte 690-I
10883	Aceitera 418 con 1 galón de aceite Nu-Clear
16703	Prensa de tornillo TRISTAND 425 de $\frac{1}{8}$ " - $2\frac{1}{2}$ "
36273	Prensa de tornillo TRISTAND 460-6 de $\frac{1}{8}$ " - 6"

Puede encontrar información adicional sobre los accesorios específicos para esta herramienta en el catálogo RIDGID y en línea en RIDGID.com.

## Almacenamiento de la máquina

**⚠ ADVERTENCIA** Mantenga los accionamientos motorizados bajo techo o bien tapados para protegerlos de la lluvia. Guarde la máquina en un lugar bajo llave que esté fuera del alcance de niños o personas que no estén familiarizadas con las máquinas. Estas máquinas pueden causar graves lesiones en manos de usuarios no capacitados.

## Servicio y reparaciones

### ⚠ ADVERTENCIA

**La máquina se torna insegura cuando el servicio o la reparación se hacen en forma indebida.**

Las "Instrucciones de mantenimiento" abarcan la mayoría de los servicios que necesita esta máquina. Cualquier problema que no haya sido tratado en esta sección debe ser resuelto únicamente por un técnico autorizado de RIDGID.

La máquina debe llevarse a un servicentro independiente autorizado de RIDGID o devuelta a la fábrica.

Si necesita información sobre su Servicentro Autorizado Independiente de RIDGID más cercano o si tiene preguntas sobre el servicio o reparación:

- Comuníquese con el distribuidor RIDGID® en su localidad.
- Visite RIDGID.com para averiguar dónde se encuentran los centros autorizados de RIDGID más cercanos.
- Comuníquese con el Departamento de Servicio Técnico de Ridge Tool en [rttechservices@emerson.com](mailto:rttechservices@emerson.com), o llame por teléfono desde EE. UU. o Canadá al (800) 519-3456.

## Aceite de corte

Para información sobre el uso y manejo del aceite de corte de RIDGID®, consulte las etiquetas en el recipiente y la Hoja de Seguridad de Materiales (MSDS). La hoja MSDS está disponible en RIDGID.com o puede solicitarla a través del Departamento de Servicio Técnico de Ridge Tool al (800) 519-3456 en EE. UU. y Canadá, o en [rttechservices@emerson.com](mailto:rttechservices@emerson.com).

## Eliminación de la máquina

Las piezas de los accionamientos motorizados contienen materiales valiosos y se pueden reciclar. Hay compañías locales que se especializan en el reciclaje. Deseche los componentes de acuerdo con todos los reglamentos correspondientes. Para más información sobre la eliminación de desechos, comuníquese con la agencia local de eliminación de residuos.



**Para los países de la Comunidad Europea:** ¡No deseche equipos eléctricos en la basura común!

De acuerdo con el Lineamiento Europeo 2012/19/EU para Desechos de Equipos Eléctricos y Electrónicos y su implementación en la legislación nacional, los equipos eléctricos inservibles deben desecharse por separado en una forma que cumpla con las normas del medio ambiente.

## Resolución de problemas

SÍNTOMA	POSIBLE RAZÓN	SOLUCIÓN
La máquina no anda.	Los cepillos no están en contacto con el inducido.	Revise los cepillos. Reemplácelos si están desgastados.
La máquina no es capaz de roscar.	Terrajas sin filo. Sobrecarga debido a roscas rotas u ovaladas. Aceite de corte de mala calidad o insuficiente. Voltaje insuficiente en la red.	Reemplace las terrajas. Vea las posibles razones a continuación. Use una cantidad suficiente de aceite de corte RIDGID®. Revise el voltaje de la electricidad suministrada.
Chispas en el conmutador del motor.	Contacto insuficiente entre los cepillos y el conmutador. Los cepillos no tienen un contacto adecuado con el conmutador. Cepillos de otro fabricante. Cepillos nuevos.	Apriete las tapas de los cepillos para asegurar que los cepillos estén bien presionados contra el conmutador. Reemplace los cepillos desgastados y/o el inducido. Use solamente cepillos RIDGID®. Haga andar el motor sin carga durante 15 minutos en posición de avance y 15 minutos en retroceso, para asentar los cepillos.
El cabezal roscador no inicia el roscado.	El cabezal roscador no está en ángulo recto con respecto al extremo del tubo. La fuerza para iniciar el contacto no se ejerce correctamente sobre el cabezal roscador. El extremo del tubo no está cortado en ángulo recto. Terrajas sin filo o desportilladas. La máquina está funcionando en sentido contrario. Las terrajas están mal encajadas en el cabezal roscador.	Presione sobre la tapa del cabezal roscador para iniciar el roscado. Aplique la fuerza para iniciar el contacto contra la línea central del tubo. Corte el extremo del tubo en ángulo recto. Reemplace las terrajas. Revise la posición del interruptor de avance/retroceso (F/R). Asegure que las terrajas estén orientadas hacia afuera contra las orejetas de la tapa.
Roscas rotas.	Terrajas dañadas, desportilladas o desgastadas. Aceite de corte incorrecto o insuficiente. Terrajas que no son adecuadas para el material. Tubo de material o calidad deficientes.	Reemplace las terrajas. Use solamente aceite de corte RIDGID® en una cantidad suficiente. Seleccione terrajas de alta velocidad, de acero inoxidable o de aleación, que sean apropiadas para la tarea. Use un tubo de mejor calidad.
Roscas ovaladas o aplastadas.	Pared del tubo demasiado delgada.	Emplee tubos de Serie 40 o de pared más gruesa.
El soporte gira durante el roscado.	Las mordazas del brazo de soporte están sucias. El brazo de soporte no está bien alineado. El brazo de soporte no está apretado.	Limpie las mordazas con un cepillo de alambre. Coloque el brazo del soporte para que forme un ángulo recto con el tubo. Apriete el tornillo de mano.
Roscas angostas.	Terrajas colocadas en el cabezal en orden equivocado.	Coloque las terrajas en las ranuras correctas en el cabezal roscador.



# Gewindeschneidmaschinen

## 600-I/690-I



### **⚠️ WARNUNG!**

Lesen Sie diese Bedienungsanleitung vor dem Gebrauch des Geräts sorgfältig durch. Die Unkenntnis und Nichtbeachtung des Inhalts dieser Bedienungsanleitung kann zu Stromschlag, Brand und/oder schweren Verletzungen führen.

#### **600-I/690-I Gewindeschneidmaschinen**

Notieren Sie unten die Seriennummer und bewahren Sie diese auf. Sie finden die Produkt-Seriennummer auf dem Typenschild.

Serien-Nr.

--	--

## Inhaltsverzeichnis

<b>Formular zum Festhalten der Maschinenseriennummer</b> .....	47
<b>Sicherheitssymbole</b> .....	49
<b>Allgemeine Sicherheits- und Warnhinweise für Elektrowerkzeuge</b> .....	49
Sicherheit im Arbeitsbereich.....	49
Elektrische Sicherheit.....	49
Sicherheit von Personen .....	50
Sachgemäßer Umgang mit Elektrowerkzeugen .....	50
Wartung.....	51
<b>Spezielle Sicherheitshinweise</b> .....	51
Sicherheit des Kraftantriebs .....	51
<b>Beschreibung, technische Daten und Standardausstattung</b> .....	52
Beschreibung .....	52
Standardausstattung .....	52
Technische Beschreibung.....	53
<b>Kontrolle vor dem Betrieb</b> .....	53
<b>Vorbereitung und Betrieb</b> .....	54
Einbau von Schneidköpfen.....	55
Gegenhalten von Schneidkräften .....	56
Gewindeschneiden .....	57
Prüfung von Gewinden .....	58
<b>Wartungshinweise</b> .....	59
Reinigung.....	59
Austausch von Schneidbacken bei 11-R-Schneidköpfen.....	59
Austausch der Bürsten im Motor .....	60
<b>Zubehör</b> .....	60
<b>Lagerung des Geräts</b> .....	60
<b>Wartung und Reparatur</b> .....	60
<b>Gewindeschneidöl</b> .....	61
<b>Entsorgung</b> .....	61
<b>Fehlersuche</b> .....	62
<b>EG Konformitätserklärung</b> .....	Innerhalb der hinteren Abdeckung
<b>Garantie</b> .....	Rückseite

\* Übersetzung der Originalbetriebsanleitung

## Sicherheitssymbole

In dieser Bedienungsanleitung und auf dem Produkt werden Sicherheitssymbole und Signalwörter verwendet, um über wichtige Sicherheitshinweise zu informieren. Dieser Abschnitt dient dazu, diese Signalwörter und Symbole richtig zu verstehen.



Dies ist das allgemeine Gefahren-Symbol. Es weist auf mögliche Verletzungsgefahren hin. Beachten Sie alle Hinweise mit diesem Symbol, um Verletzungs- oder Lebensgefahr zu vermeiden.

### ⚠ GEFAHR

GEFAHR weist auf eine gefährliche Situation hin, die ohne entsprechende Sicherheitsvorkehrungen zu Lebensgefahr oder schweren Verletzungen führt.

### ⚠ WARNUNG

WARNUNG weist auf eine gefährliche Situation hin, die ohne entsprechende Sicherheitsvorkehrungen zu Lebensgefahr oder schweren Verletzungen führen kann.

### ⚠ ACHTUNG

ACHTUNG weist auf eine gefährliche Situation hin, die ohne entsprechende Sicherheitsvorkehrungen zu kleineren bis mittelschweren Verletzungen führen kann.

### HINWEIS

HINWEIS kennzeichnet Informationen, die sich auf den Schutz des Eigentums beziehen.



Dieses Symbol bedeutet, dass die Bedienungsanleitung sorgfältig durchzulesen ist, bevor das Gerät in Betrieb genommen wird. Die Bedienungsanleitung enthält wichtige Informationen für den sicheren, ordnungsgemäßen Gebrauch des Geräts.



Dieses Symbol bedeutet, dass bei der Arbeit mit diesem Gerät immer eine Schutzbrille mit Seitenschutz oder ein Augenschutz zu verwenden ist, um Augenverletzungen zu vermeiden.



Dieses Symbol weist auf die Gefahr hin, dass Finger, Hände, Kleidung und andere Objekte an oder zwischen Zahnräder oder andere rotierende Teile geraten und es zu Quetschungen kommt.



Dieses Symbol weist auf die Gefahr von Stromschlägen hin.



Dieses Symbol weist auf das Risiko hin, dass das Gerät umkippen kann, was zu Verletzungen durch Aufprall oder Zerquetschen führen kann.



Dieses Symbol weist darauf hin, dass beim Betreiben dieser Maschine keine Handschuhe getragen werden sollen, um die Gefahr des Verfangens zu verringern.



Dieses Symbol weist darauf hin, die Stützvorrichtung zu verwenden, um Schneidkräfte zu absorbieren, um die Kontrolle zu verbessern und um das Risiko von Schlag-, Quetsch- und/oder anderen Verletzungen zu vermeiden.

## Allgemeine Sicherheits- und Warnhinweise für Elektrowerkzeuge\*

### ⚠ WARNUNG

**Lesen Sie alle Sicherheitswarnungen, Anweisungen, Illustrationen und Spezifikationen in Zusammenhang mit diesem Elektrowerkzeug. Die Nichtbeachtung der nachfolgenden Anweisungen kann zu Stromschlag, Brand und/oder schweren Verletzungen führen.**

### ALLE WARNUNGEN UND ANWEISUNGEN ZUR SPÄTEREN EINSICHT AUFBEWAHREN!

Der im folgenden Text verwendete Begriff „Elektrowerkzeug“ bezieht sich auf netzbetriebene Elektrowerkzeuge (mit Netzkabel) und akkubetriebene Elektrowerkzeuge (ohne Netzkabel).

### Sicherheit im Arbeitsbereich

- **Halten Sie Ihren Arbeitsbereich sauber, und sorgen Sie für eine gute Beleuchtung.** Unaufgeräumte und unzureichend beleuchtete Arbeitsbereiche erhöhen das Unfallrisiko.

- **Betreiben Sie Elektrowerkzeuge nicht in Umgebungen mit erhöhter Explosionsgefahr, in denen sich leicht entflammare Flüssigkeiten, Gase oder Staub befinden.** Elektrowerkzeuge erzeugen im Betrieb Funken, durch die sich Staub oder Brandgase leicht entzünden können.
- **Sorgen Sie beim Betrieb eines Elektrowerkzeugs dafür, dass sich keine Kinder oder sonstige Unbeteiligte in dessen Nähe befinden.** Bei Ablenkungen kann die Kontrolle über das Werkzeug verloren gehen.

### Elektrische Sicherheit

- **Die Stecker des Elektrowerkzeugs müssen zur verwendeten Steckdose passend sein. Nehmen Sie niemals Veränderungen am Stecker vor. Verwenden Sie keine Adapterstecker in Kombination mit schutzgeerdeten Geräten.** Unveränderte Stecker und passende Steckdosen verringern die Gefahr eines Stromschlags.

\* Der im Abschnitt „Allgemeine Sicherheits- und Warnhinweise für Elektrowerkzeuge“ dieses Handbuchs verwendete Text wurde wörtlich aus der geltenden Norm UL/CSA 62841 übernommen. Dieser Abschnitt enthält allgemeine Sicherheitshinweise für viele verschiedene Elektrowerkzeugtypen. Nicht jede Sicherheitsvorkehrung gilt für jedes Werkzeug, einige gelten für dieses Werkzeug nicht.

- **Vermeiden Sie Körperkontakt mit geerdeten Oberflächen, wie Rohren, Heizungen, Herden und Kühlschränken.** Es besteht eine erhöhte Stromschlaggefahr, wenn Ihr Körper geerdet ist.
- **Halten Sie Elektrowerkzeuge von Regen und Nässe fern.** Das Eindringen von Wasser in ein Elektrowerkzeug erhöht die Stromschlaggefahr.
- **Das Netzkabel darf nicht für anderweitige Zwecke missbraucht werden. Verwenden Sie es niemals zum Tragen oder Ziehen des Werkzeugs oder zum Herausziehen des Steckers. Halten Sie das Kabel von Hitze, Öl, scharfen Kanten und beweglichen Geräteteilen fern.** Beschädigte oder verwickelte Kabel erhöhen die Stromschlaggefahr.
- **Wenn Sie mit einem Elektrowerkzeug im Freien arbeiten, verwenden Sie nur Verlängerungskabel, die für die Verwendung im Freien geeignet sind.** Die Verwendung eines geeigneten Verlängerungskabels für den Gebrauch im Freien verringert die Gefahr eines Stromschlags.
- **Wenn Sie ein Elektrowerkzeug in feuchter Umgebung einsetzen müssen, verwenden Sie eine Stromversorgung mit Schutzschalter (FI/RCD/GFCI).** Die Verwendung eines Fehlerstromschutzschalters (FI-Schutzschalters) verringert die Gefahr eines Stromschlags.

## Sicherheit von Personen

- **Seien Sie beim Betrieb eines Elektrowerkzeugs immer aufmerksam und verantwortungsbewusst. Verwenden Sie ein Elektrowerkzeug nicht unter Einfluss von Drogen, Alkohol oder Medikamenten.** Durch einen kurzen Moment der Unaufmerksamkeit können Sie sich selbst oder anderen erhebliche Verletzungen zufügen.
- **Tragen Sie persönliche Schutzausrüstung. Tragen Sie immer einen Augenschutz.** Das Tragen einer Schutzausrüstung, wie Staubmaske, rutschfeste Sicherheitsschuhe, Schutzhelm oder Gehörschutz, verringert das Risiko von Verletzungen und ist daher unbedingt erforderlich.
- **Verhindern Sie, dass Elektrowerkzeuge unbeabsichtigt eingeschaltet werden. Vergewissern Sie sich immer, dass sich der Schalter in der Aus-Stellung befindet, bevor Sie ein Elektrowerkzeug anheben, tragen oder an die Stromquelle bzw. einen Akku anschließen.** Wenn Sie beim Tragen des Gerätes den Finger am Schalter haben oder das Gerät eingeschaltet an die Stromversorgung anschließen, kann dies zu Unfällen führen.
- **Entfernen Sie sämtliche Einstellwerkzeuge oder Schraubenschlüssel, bevor Sie das Gerät einschalten.**

Ein Werkzeug oder Schlüssel, der sich in einem drehenden Geräteteil befindet, kann zu Verletzungen führen.

- **Lehnen Sie sich nicht zu weit in eine Richtung. Sorgen Sie stets für ein sicheres Gleichgewicht und einen festen Stand.** Dadurch können Sie das Gerät in unerwarteten Situationen besser kontrollieren.
- **Tragen Sie praktische Arbeitskleidung. Tragen Sie keine weiten Kleidungsstücke oder Schmuck. Halten Sie Haare, Kleidung und Handschuhe von beweglichen Teilen fern.** Lockere Kleidung, Schmuck oder lange Haare können von bewegten Teilen erfasst werden.
- **Wenn Staubabsaug- und Staubauffangeinrichtungen montiert werden können, vergewissern Sie sich, dass diese angeschlossen sind und richtig verwendet werden.** Durch Verwendung von Staubauffangeinrichtungen können die durch Staub entstehenden Gefahren erheblich reduziert werden.
- **Lassen Sie sich durch die Tatsache, dass Sie durch häufige Benutzung mit einem Werkzeug vertraut sind, nicht dazu verleiten, nachlässig zu werden und Sicherheitsprinzipien für den Umgang mit Werkzeugen zu ignorieren.** Eine unbedachte Handlung kann innerhalb von Sekundenbruchteilen schwere Verletzungen verursachen.

## Sachgemäßer Umgang mit Elektrowerkzeugen

- **Wenden Sie bei Verwendung des Elektrowerkzeugs keine Gewalt an. Verwenden Sie immer ein für den Einsatzbereich geeignetes Elektrowerkzeug.** Dadurch können Sie Ihre Arbeit effektiver und sicherer ausführen.
- **Verwenden Sie das Elektrowerkzeug nicht, wenn es nicht über einen Schalter ein- und ausgeschaltet werden kann.** Ein Elektrowerkzeug, das sich nicht über einen Schalter ein- und ausschalten lässt, stellt eine Gefahrenquelle dar und muss repariert werden.
- **Ziehen Sie den Stecker aus der Steckdose und/oder entfernen Sie den Akku (sofern er sich herausnehmen lässt) aus dem Elektrowerkzeug, bevor Sie Einstellungen vornehmen, Zubehörteile wechseln oder das Werkzeug lagern.** Durch solche Vorsichtsmaßnahmen wird der unbeabsichtigte Start des Elektrowerkzeugs verhindert.
- **Bewahren Sie unbenutzte Elektrowerkzeuge außerhalb der Reichweite von Kindern auf, und lassen Sie Personen, die mit dem Elektrowerkzeug nicht vertraut sind oder diese Anweisungen nicht gelesen haben, das Elektrowerkzeug nicht benutzen.** Elektrowerkzeuge sind gefährlich, wenn Sie von unerfahrenen Personen benutzt werden.
- **Elektrowerkzeuge und Zubehör warten. Stellen Sie si-**

cher, dass sich alle beweglichen und festen Teile in der richtigen Position befinden, keine Teile gebrochen sind oder sonstige Fehler vorliegen, um den reibungslosen Betrieb des Elektrowerkzeugs sicherzustellen. Bei Beschädigungen muss das Elektrowerkzeug vor einer erneuten Verwendung zunächst repariert werden. Viele Unfälle werden durch schlecht gewartete Elektrowerkzeuge verursacht.

- **Halten Sie Schneidwerkzeuge scharf und sauber.** Sorgfältig gepflegte Schneidwerkzeuge mit scharfen Schneidkanten verklemmen seltener und sind leichter zu führen.
- **Verwenden Sie Elektrowerkzeug, Zubehör, Einsatzwerkzeuge usw. entsprechend diesen Anweisungen und unter Berücksichtigung der Arbeitsbedingungen und der auszuführenden Tätigkeit.** Wenn Elektrowerkzeuge nicht vorschriftsmäßig verwendet werden, kann dies zu gefährlichen Situationen führen.
- **Halten Sie Griffe und Griffflächen trocken, sauber und frei von Ölen und Fetten.** Rutschige Griffe und Griffflächen verhindern eine sichere Handhabung und Kontrolle des Werkzeugs in unerwarteten Situationen.

## Wartung

- **Lassen Sie Ihr Elektrowerkzeug nur von qualifiziertem Fachpersonal und nur mit Original-Ersatzteilen reparieren.** Dadurch bleibt die Sicherheit des Elektrowerkzeugs gewährleistet.

## Spezielle Sicherheitshinweise

### **⚠️ WARNUNG**

**Dieser Abschnitt enthält wichtige Sicherheitshinweise, die speziell für dieses Werkzeug gelten.**

**Lesen Sie vor dem Gebrauch der Gewindeschneidmaschine diese Sicherheitshinweise sorgfältig durch, um die Gefahr eines Stromschlags oder ernsthafter Verletzungen zu vermeiden.**

### **BEWAHREN SIE DIESE ANLEITUNG AUF!**

Bewahren Sie diese Bedienungsanleitung beim Gerät auf, damit sie dem Bediener jederzeit zur Verfügung steht.

## Sicherheit des Kraftantriebs

- **Verwenden Sie immer die mit dem Werkzeug gelieferte Stützvorrichtung.** Der Verlust der Kontrolle bei der Bedienung kann zu Verletzungen führen.
- **Achten Sie beim Umgang mit dem Werkzeug darauf, dass Ärmel und Jacken zugeknöpft sind.** Nicht über das Werkzeug oder das Rohr greifen. Kleidung kann sich im Rohr oder im Werkzeug verfangen.

- **Eine Person muss den Arbeitsprozess und den Betrieb des Werkzeugs kontrollieren.** Wenn zusätzliche Personen am Prozess beteiligt werden, kann dies zu unbeabsichtigter Bedienung und Verletzungen führen.
- **Halten Sie den Boden trocken und frei von rutschigen Materialien wie Öl.** Rutschigen Böden erhöhen die Unfallgefahr.
- **Tragen Sie bei der Benutzung des Werkzeugs keine Handschuhe. Nicht über das Werkzeug oder das Rohr greifen.** Handschuhe können sich im Rohr oder im Werkzeug verfangen.
- **Halten Sie den Kraftantrieb beim Gewindeschneiden oder beim Zurückziehen des Schneidkopfs vom Rohr immer fest, um die beim Gewindeschneiden auftretenden Kräfte zu neutralisieren, unabhängig von der verwendeten Stützvorrichtung.** Dadurch wird das Risiko von Schlag-, Quetsch- und anderen Verletzungen verringert.
- **Befolgen Sie die Anweisungen zur sachgemäßen Benutzung dieser Maschine. Benutzen Sie die Maschine nicht für andere Zwecke, wie zum Bohren von Löchern oder zum Drehen von Winden.** Bei anderen Arten der Verwendung oder bei Veränderung dieser Maschine für andere Zwecke kann sich das Risiko schwerer Verletzungen erhöhen.
- **Benutzen Sie diesen Kraftantrieb nicht, wenn der EIN-/AUS-Schalter defekt ist.** Dieser Schalter ist eine Sicherheitsvorrichtung, die den Motor abschaltet, sobald der Schalter losgelassen wird.
- **Benutzen Sie keine stumpfen oder schadhafte Schneidbacken.** Scharfe Schneidwerkzeuge erfordern weniger Drehmoment und der Kraftantrieb lässt sich leichter kontrollieren.
- **Halten Sie die Griffe trocken, sauber und frei von Ölen und Fetten.** Dadurch können Sie das Werkzeug besser kontrollieren.
- **Verwenden Sie ausschließlich RIDGID Schneidköpfe mit RIDGID Kraftantrieben,** andere Schneidköpfe passen möglicherweise nicht richtig in den Kraftantrieb, sodass sich das Risiko von Beschädigungen am Gerät und von Verletzungen erhöht.

Wenn Sie Fragen zu diesem RIDGID® Produkt haben:

- Wenden Sie sich an Ihren örtlichen RIDGID Händler.
- Besuchen Sie RIDGID.com, um einen RIDGID Kontaktpunkt in Ihrer Nähe zu finden.
- Wenden Sie sich an die Abteilung Technischer Kundendienst von Ridge Tool unter [rttechservices@emerson.com](mailto:rttechservices@emerson.com) oder in den USA und Kanada telefonisch unter (800) 519-3456.

## Beschreibung, technische Daten und Standardausstattung

### Beschreibung

Bei den RIDGID® Gewindeschneidmaschinen Modell 600-I und 690-I handelt es sich um doppelt isolierte Antriebe, die Leistung zum Gewindeschneiden von Rohren und Leitung liefern. Die Vorwärts- und Rückwärtsdrehung kann mit einem Schiebeschalter ausgewählt werden, während das Ein- und Ausschalten des Geräts durch einen zweistufigen Tastschalter gesteuert wird.

Die Gewindeschneidmaschine 600-I verwendet RIDGID 11-R-Schneidköpfe (für 1/8" bis 1 1/4" Rohre). Die Gewindeschneidmaschine 690-I verwendet RIDGID 11-R-Schneidköpfe (für 1/8" bis 2" Rohre). Wenn die Gewindeschneidmaschine 690-I mit 1/8" bis 1 1/4" Rohrgrößen verwendet werden soll, ist ein Adapter erforderlich. Der Adapter und die 1 1/2" bis 2" Größen werden in der Gewindeschneidmaschine 690-I mit einem Haltemechanismus gehalten.



Abbildung 3 - 602/692 Stützarme

Die Seriennummer der Gewindeschneidmaschine 600-I und 690-I befindet sich auf der Unterseite des Motorgehäuses. Die letzten 4 Stellen der Seriennummer geben den Monat und das Jahr der Herstellung an (MMJJ).



Abbildung 1 - Gewindeschneidmaschine Modell 600-I



Abbildung 2 - Gewindeschneidmaschine Modell 690-I

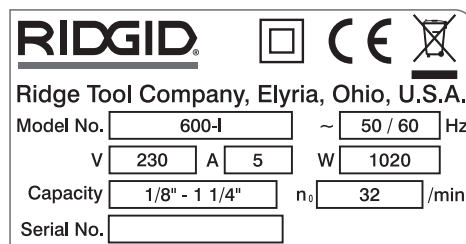


Abbildung 4 - Geräteseriennummer

### Standardausstattung

Der Lieferumfang der Gewindeschneidmaschinen 600-I/690-I umfasst:

- Gewindeschneidmaschine
- 690-I-Adapter (nur 690-I)
- Bedienungsanleitung

**HINWEIS** Für die Auswahl der geeigneten Materialien und Installations-, Verbindungs- und Formmethoden ist der Systemdesigner und/oder Installateur verantwortlich. Die Auswahl ungeeigneter Materialien und Methoden kann zu Systemausfällen führen.

Edelstahl und andere korrosionsbeständige Materialien können bei Installation, Verbindung und Formung kontaminiert werden. Diese Kontamination könnte zu Korrosion und vorzeitigem Ausfall führen. Eine sorgfältige Bewertung der Materialien und Methoden für die speziellen Einsatzbedingungen, einschließlich chemischer Bedingungen und Temperatur, sollte erfolgen, bevor eine Installation versucht wird.

## Technische Beschreibung

Parameter	600-I Gewindeschneidmaschine	690-I Gewindeschneidmaschine
Rohrgewindeschneidkapazität	1/8" bis 1 1/4" (3 bis 32 mm)	1/8" bis 2" (3 bis 50 mm)
Schneidkopfarretierung	Ringfeder	Haltemechanismus (1 1/2" - 2") Ringfeder (1/8" - 1 1/4")
Linksgewinde	Ja	Ja
Stützarm	Nr. 602, Nr. 601	Nr. 692, Nr. 691
Adapter	Nicht erforderlich.	Für 1/8" bis 1 1/4" Schneidköpfe.
Motortyp	Universalmotor, einphasig	Universalmotor, einphasig
Watt	1270 (120 V), 1020 (220-240 V)	1270 (120 V), 1020 (220-240 V)
Spannung/Phasen	120 V/1 PH, 220-240 V/1 PH	120 V/1 PH, 220-240 V/1 PH
Stromaufnahme	12 A (120 V), 5 A (220-240 V)	12 A (120 V), 5 A (220-240 V)
Betriebsdrehzahl (U/min)	36 (120 V), 32 (220-240 V)	36 (120 V), 32 (220-240 V)
Bedienelemente	Vorwärts/Rückwärts-Schiebeschalter Zweistufiger EIN/AUS (ON/OFF)-Schalter	Vorwärts/Rückwärts-Schiebeschalter Zweistufiger EIN/AUS (ON/OFF)-Schalter
Getriebekopf	Aluminium-Druckguss, dauergeschmiert	Aluminium-Druckguss, dauergeschmiert
Länge	20" (508 mm)	24,13" (613 mm)
Breite	3,75" (95 mm)	4,75" (121 mm)
Höhe	7,5" (191 mm)	8" (203 mm)
Gewicht	12,65 lbs (5,7 kg)	21,15 lbs (9,6 kg)
Schalldruck (L <sub>PA</sub> )*	83 dB(A), K=3	83 dB(A), K=3
Schallleistung (L <sub>WA</sub> )*	94 dB(A), K=3	94 dB(A), K=3
Vibration*	<2,5 m/s <sup>2</sup> , K=1,5	<2,5 m/s <sup>2</sup> , K=1,5

\* Schall und Vibration werden nach einem standardisierten Verfahren gemäß der Norm IEC62841-1 gemessen.

- Vibrationsniveaus können für Vergleiche mit anderen Werkzeugen und für die vorläufige Einschätzung der Exposition verwendet werden.

- Schall- und Vibrationsemissionen können aufgrund Ihres Standorts und der spezifischen Verwendung dieser Werkzeuge schwanken.

- Das tägliche Expositionsniveau für Schall und Vibrationen muss für jede Anwendung bewertet werden und bei Bedarf sind entsprechende Sicherheitsmaßnahmen zu treffen. Bei der Bewertung des Expositionslevels sollte die Zeit berücksichtigt werden, für die ein Werkzeug abgeschaltet ist und nicht benutzt wird. Dadurch kann sich das Expositionsniveau über die gesamte Arbeitszeit signifikant verringern.

## Kontrolle vor dem Betrieb

### ⚠️ WARNUNG



**Kontrollieren Sie Ihre Gewindeschneidmaschine vor jedem Gebrauch und beheben Sie eventuelle Störungen, um die Verletzungsgefahr durch Stromschlag, Quetschung oder andere Ursachen sowie Schäden am Gerät zu verringern.**

1. Achten Sie darauf, dass die Gewindeschneidmaschine vom Stromnetz getrennt ist.
2. Reinigen Sie ausgetretenes Öl, Fett oder Schmutz von der Gewindeschneidmaschine und Stützvorrichtung, einschließlich Griffe und Bedienelemente. Dies erleichtert die Inspektion und hilft, zu vermeiden, dass Maschine oder Bedienelemente Ihnen aus den Händen gleiten.

3. Überprüfen Sie die Gewindeschneidmaschine und den Stützarm auf Folgendes:

- Beschädigtes oder geändertes Kabel und Stecker.
- Korrekte Montage, Wartung und Vollständigkeit.
- Beschädigte, falsch ausgerichtet oder verklemmte Teile.
- Einwandfreie Funktion des zweistufigen EIN/AUS (ON/OFF)-Tasters. (Abbildung 5).
- Griffzähne des Stützarms sind sauber und in gutem Zustand. Die Zähne können mit einer Drahtbürste gereinigt werden.
- Vorhandensein und Lesbarkeit von Warnaufklebern.
- Umstände, die einen sicheren und normalen Betrieb verhindern könnten.

Wenn Probleme festgestellt werden, benutzen Sie die Gewindeschneidmaschine erst, wenn die Probleme behoben sind.

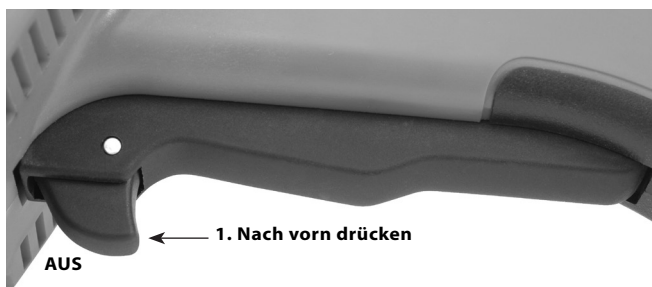


Abbildung 5A - Zweistufiger EIN/AUS (ON/OFF)-Schalter

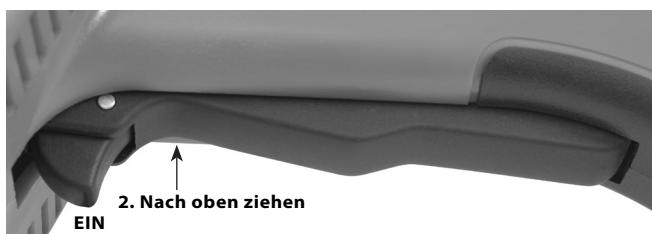


Abbildung 5B - Zweistufiger EIN/AUS (ON/OFF)-Schalter

4. Überprüfen Sie die Schneidkanten der Schneidbacken auf Verschleiß, Verformung, Splitter und andere Probleme. Stumpfe oder schadhafte Schneidwerkzeuge erhöhen den erforderlichen Kraftaufwand, beeinträchtigen die Schnittqualität und erhöhen die Verletzungsgefahr.
5. Prüfen und warten Sie andere verwendete Geräte laut Anweisungen, um sicherzustellen, dass sie ordnungsgemäß funktionieren.
6. Prüfen Sie laut Rüst- und Betriebsanweisungen die Gewindeschneidmaschine auf ordnungsgemäßen Betrieb.
  - Stellen Sie den F/R-Schalter (Vorwärts/Rückwärts) in die Stellung F. Drücken Sie den EIN/AUS (ON/OFF)-Schalter und lassen Sie ihn los. (Abbildung 5). Achten Sie darauf, dass sich die Gewindeschneidmaschine im Uhrzeigersinn dreht (siehe Abbildung 6) und beim Loslassen des Schalters stoppt.
  - Wiederholen Sie den Vorgang für den Rückwärtslauf (gegen den Uhrzeigersinn). Falls das Gerät sich nicht in der richtigen Richtung bewegt, oder der Betrieb des Geräts mit dem Ein/AUS (ON/OFF)-Schalter nicht zu steuern ist, verwenden Sie das Gerät nicht, bevor es repariert worden ist.

**HINWEIS** Ändern Sie die Stellung des F/R-Schiebeschalters nur, wenn der EIN/AUS (ON/OFF)-Schalter nicht gedrückt ist. Lassen Sie die Maschine komplett bis zum Stillstand auslaufen, bevor Sie die Drehrichtung mit dem F/R-Schiebeschalter ändern. Dadurch wird das Risiko einer Beschädigung der Gewindeschneidmaschine verringert.

- Halten Sie den EIN/AUS (ON/OFF)-Schalter gedrückt. Kontrollieren Sie die beweglichen Teile auf Versatz, Verklemmen, merkwürdige Geräusche oder andere ungewöhnliche Bedingungen. Lassen Sie den Ein-/Ausschalter los. Falls ungewöhnliche Bedingungen festgestellt werden, das Gerät nicht verwenden, bevor es repariert worden ist.

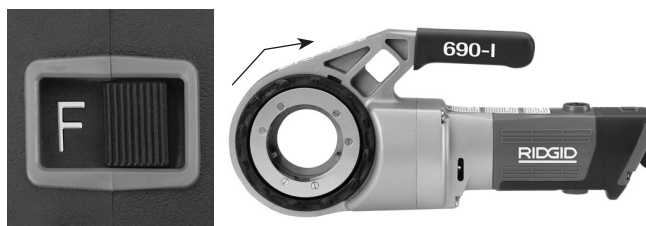


Abbildung 6A - Schalterstellung F (VORWÄRTS) (im Uhrzeigersinn)

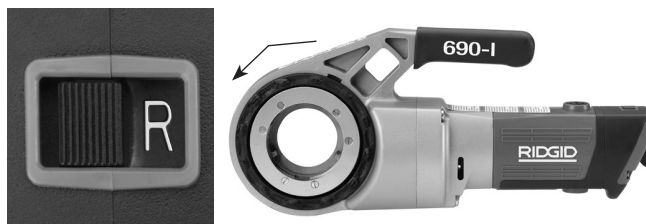


Abbildung 6B - Schalterstellung R (RÜCKWÄRTS) (gegen den Uhrzeigersinn)

7. Lassen Sie den EIN/AUS (ON/OFF)-Schalter los, und ziehen Sie mit trockenen Händen den Stecker aus der Steckdose.

## Vorbereitung und Betrieb

### ⚠️ WARNUNG



**Rüsten und betreiben Sie die Maschine gemäß diesen Verfahren, um eine Verletzungsgefahr durch Stromschlag, Verfangen, Schläge, Quetschungen und andere Ursachen zu vermeiden, und um eine Beschädigung der Gewindeschneidmaschine zu verhindern.**

**Verwenden Sie entsprechend diesen Anweisungen eine geeignete Stützvorrichtung. Stützvorrichtungen verbessern die Kontrolle und reduzieren das Risiko von Schlag-, Quetsch- und/oder anderen Verletzungen.**

**Wenn Sie eine andere Stützvorrichtung als den mitgelieferten Stützarm verwenden, muss die Stützvorrichtung gegen das Getriebegehäuse oder Lüftergehäuse wirken. Stützvorrichtungen, die das**



**Motorgehäuse oder den Griff berühren, können diese Teile beschädigen oder die Verletzungsgefahr erhöhen.**

**Halten Sie den Elektroantrieb beim Gewindeschneiden oder Abziehen des Schneidkopfes vom Rohr immer fest, um Schneidkräften gegen zu halten, unabhängig von der verwendeten Stützvorrichtung. Dadurch wird das Risiko von Schlag-, Quetsch- und anderen Verletzungen verringert.**

**Tragen Sie keine Handschuhe oder lose Kleidung. Lassen Sie die Hemdsärmel und Jacken zugeknöpft. Weite Kleidung kann sich in den rotierenden Teilen verfangen und Quetsch- und Schlagverletzungen verursachen.**

**Stützen Sie das Rohr richtig ab. Dadurch wird das Risiko eines kippenden oder fallenden Rohrs und von schweren Verletzungen verringert.**

**Verwenden Sie die Gewindeschneidmaschine nur dann, wenn der EIN/AUS (ON/OFF)-Schalter und F/R-Schiebeschalter einwandfrei funktionieren.**

**Sowohl der Arbeitsvorgang als auch der EIN/AUS (ON/OFF)-Schalter müssen von einer Person gesteuert werden. Nicht mit mehr als einer Person daran arbeiten. Falls sich Kleidungsstücke verfangen, muss der Bediener den EIN/AUS (ON/OFF)-Schalter steuern können.**

- Prüfen Sie den Arbeitsbereich auf:
  - Ausreichende Beleuchtung.
  - Entflammare Flüssigkeiten, Dämpfe oder Stäube, die sich entzünden können. Sind solche Gefahrenquellen vorhanden, arbeiten Sie in diesen Bereichen erst, wenn diese erkannt und beseitigt wurden. Die Gewindeschneidmaschinen sind nicht explosionsgeschützt und können Funken verursachen.
  - Übersichtlicher, ebener, stabiler, trockener Standort für gesamte Ausrüstung und Bediener.
  - Gute Belüftung. Verwenden Sie die Maschine nicht länger in kleinen, geschlossenen Bereichen.
  - Korrekt geerdete Steckdose mit korrekter Spannung. Lassen Sie im Zweifelsfall die Steckdose von einem autorisierten Elektriker überprüfen.
  - Einen freien Weg zum Netzanschluss, sodass eine mögliche Beschädigung des Netzkabels ausgeschlossen ist.
- Überprüfen Sie das zu schneidende Rohr und die damit verbundenen Anschlüsse und bestätigen Sie, dass die ausgewählte Gewindeschneidmaschine das richtige

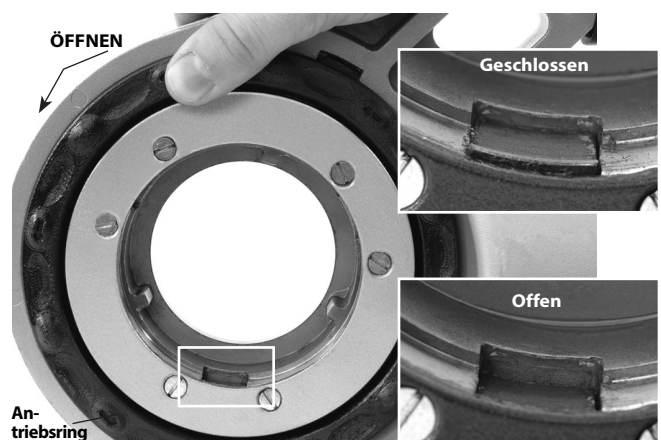
Werkzeug für diese Aufgabe ist. *Siehe Technische Daten.* Verwenden Sie die Maschine nur zum Gewindeschneiden von geraden Rohren.

Geräte für andere Anwendungen finden Sie im Ridge Tool Katalog online unter [RIDGID.com/RIDGID.eu](http://RIDGID.com/RIDGID.eu) (oder telefonisch beim Ridge Tool Technical Service in den USA und Kanada unter (800) 519-3456.)

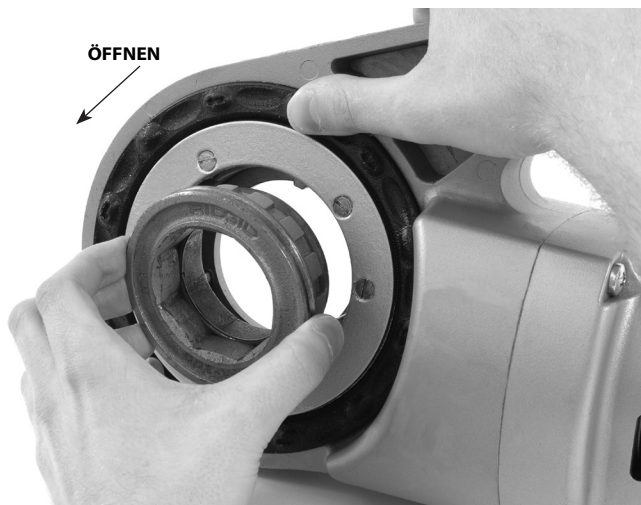
- Vergewissern Sie sich, dass das zu verwendende Gerät sachgemäß überprüft wurde.
- Bereiten Sie das zu bearbeitende Rohr nach Bedarf vor. Stellen Sie sicher, das Rohr senkrecht geschnitten ist und entgratet wurde. Ein winkelig geschnittenes Rohr kann die Schneidbacken beim Gewindeschneiden beschädigt oder den Eingriff in den Schneidkopf erschweren.

## Einbau von Schneidköpfen

- Einbau eines 1½" oder 2" Schneidkopfes oder Adapters in die 690-I:
  - Stellen Sie sicher, dass der EIN/AUS (ON/OFF)-Schalter freigegeben und der Stecker der Gewindeschneidmaschine abgezogen ist.
  - Drehen Sie den Antriebsring gegen den Uhrzeigersinn, um den Haltemechanismus zu öffnen. Stecken Sie das Kerbverzahnungsende des Schneidkopfes oder Adapters (falls erforderlich) in die Gewindeschneidmaschine. (Abbildung 7).
  - Lösen Sie den Antriebsring und bestätigen Sie, dass der Schneidkopf/Adapter befestigt ist.
  - Der Ausbau erfolgt in umgekehrter Reihenfolge.

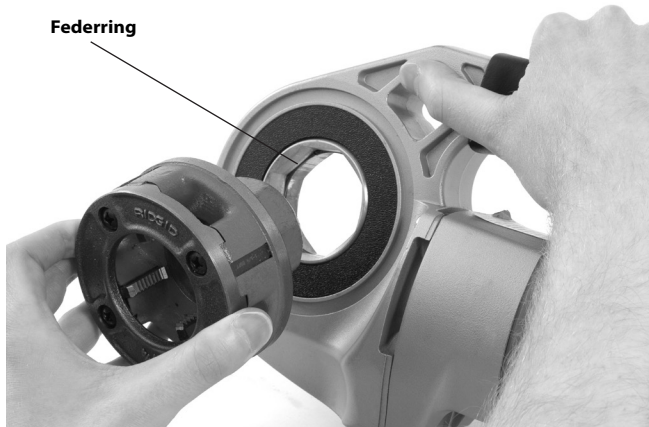


**Abbildung 7 - Haltemechanismus, Antriebsring in der offenen / geschlossenen Position**



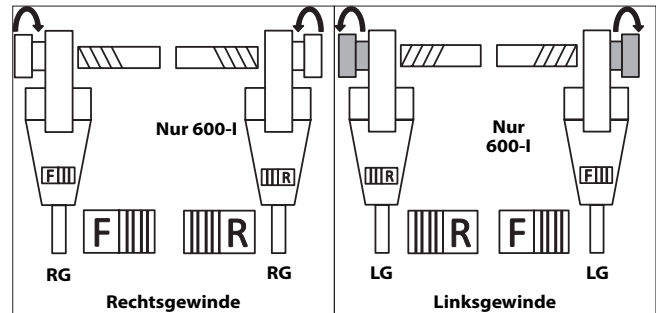
**Abbildung 8 - Einbau des Adapters in die 690-I**

6. Einbau eines 1¼" Schneidkopfs und kleiner:
  - a. Stellen Sie sicher, dass der EIN/AUS (ON/OFF)-Schalter freigegeben und der Stecker der Gewindeschneidmaschine aus der Steckdose abgezogen ist.
  - b. Bauen Sie bei Bedarf den Adapter in die 690-I ein. (Abbildung 8).
  - c. Setzen Sie das achteckige Ende des 11-R Schneidkopfs senkrecht in die Gewindeschneidmaschine ein, bis er durch den Federring gehalten wird. Bei der 600-I können die Schneidköpfe auf beiden Seiten der Gewindeschneidmaschine eingesetzt werden. Bei der 690-I können die Schneidköpfe nur an der Adapterseite eingesetzt werden.
  - d. Ziehen Sie zum Ausbau den Schneidkopf aus der Gewindeschneidmaschine. Klopfen Sie bei Bedarf mit einem Gummihammer oder Holzstück den Schneidkopf heraus. Schlagen Sie nicht auf den Schneidkopf, da sonst das Werkzeug beschädigt werden kann.



**Abbildung 9 - Einbau von Schneidköpfen in die 600-I Gewindeschneidmaschine**

7. Stellen Sie den F/R-Schiebeschalter der Maschine für das zu schneidende Rechts- oder Linksgewinde ein. Siehe Abbildung 10.



**Abbildung 10 - Schiebeschalter/Ausrichtung Schneidkopf**

8. Stellen Sie sicher, dass das zu schneidende Rohr stabil und sicher sitzt, um ein Kippen bei der Verarbeitung zu verhindern. Stützen Sie die gesamte Rohrlänge mit geeigneten Rohrständern ab.
9. Überprüfen Sie den Ölstand des RIDGID Gewindeschneidöls im RIDGID 418 Öler. Entfernen Sie die Spänewanne und stellen Sie sicher, dass das Filtersieb sauber und ganz im Ölbad eingetaucht ist. Wechseln Sie ggf. das Öl oder füllen Sie Öl nach. Stellen Sie den Eimer des 418 Ölers unter das Ende des zu schneidenden Rohrs.

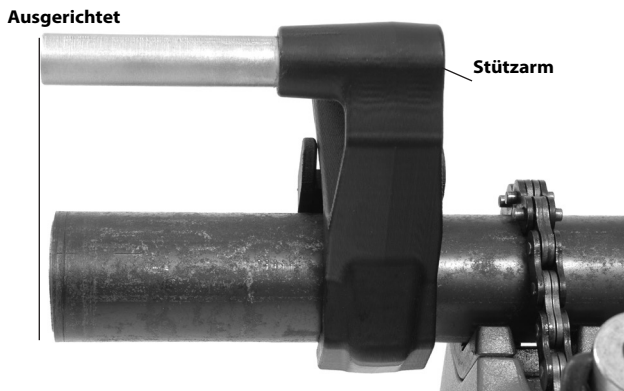
### Gegenhalten von Schneidkräften

Verwendung des mitgelieferten Stützarms:

- a. Verwenden Sie immer den mitgelieferten Stützarm (Stützarm 601 oder 602 für 600-I bzw. Stützarm 691 oder 692 für 690-I), es sei denn, er kann aus Platzgründen oder wegen anderen Einschränkungen nicht verwendet werden. Der Stützarm wird auf das Rohr geklemmt und hilft beim Gegenhalten gegen die Schneidkräfte.
- b. Positionieren Sie den Stützarm so am Rohr, dass das Stützarmende mit dem Rohrende fluchtet und die Oberseite des Stützarms horizontal liegt. (Abbildung 11). Dadurch wird der Stützarm richtig zum Gewindescheiden platziert und verhindert, das Gewindeschneidöl in den Motor eindringt. (Abbildung 12).
- c. Stellen Sie sicher, dass die Stützarmbacken senkrecht zum Rohr ausgerichtet sind und den Stützarm sicher halten.



**Abbildung 11A - Positionierung des Stützarms**



**Abbildung 11B - Positionierung des Stützarms**



**Abbildung 12 - Richtige Ausrichtung der Gewindeschneidmaschine**

Wenn der Stützarm nicht verwendet werden kann:

Beim Gewindeschneiden eines installierten Rohrs oder bei ähnlichen Anwendungen kann der Stützarm möglicherweise aus Platzgründen nicht verwendet werden.

- a. Wenn möglich, entfernen Sie das Rohr und schneiden Sie es, eingespannt in einem Schraubstock. Wenn das nicht möglich ist, müssen andere Stützvorkehrungen verwendet werden, um den Schneidkräften entgegen zu halten, wie z. B. das Gewindeschneidmaschinenge triebe oder das Lüftergehäuse gegen ein benachbartes Strukturteil (z. B. Wände, Träger und Balken) platzieren. Dazu müssen das Rohr und die Umgebung in der Lage sein, dem Gewicht des Werkzeugs und den Schneidkräfte Stand zu halten. Möglicherweise müssen temporäre oder permanente Rohrstützen oder Strukturelemente hinzugefügt werden.
- b. Bei einem Rechtsgewinde dreht sich der Schneidkopf im Uhrzeigersinn (Sicht auf die Schneidkopf stirnfläche). Die durch das Gewindeschneiddrehmoment erzeugten Kräfte wirken in entgegengesetzter Richtung bzw. gegen den Uhrzeigersinn. Drehsinn und Kraft wirken bei einem Linksgewinde in entgegengesetzter Richtung. Stellen Sie sicher, dass die Stützvorrichtung so angeordnet ist, dass sie die Schneidkräfte richtig absorbiert.
- c. Platzieren Sie den Motor oder Griff der Gewindeschneidmaschine nicht gegen benachbarte Strukturteile, um Schneidkräfte zu absorbieren, da sonst die Gewindeschneidmaschine beschädigt werden kann.
- d. Halten Sie den Kraftantrieb gegen das Bauteil und achten Sie darauf, dass Finger oder Hände nicht zwischen Kraftantrieb und Bauteil geraten. Wenn Sie den Schneidkopf vom Gewinde zurückziehen, halten Sie den Kraftantrieb immer fest, um zu verhindern, dass die Gewindegänge durch die Kräfte beschädigt werden. Durch diese Schritte wird das Risiko von Schlag-, Quetsch- und anderen Verletzungen verringert. Der EIN-/AUS-Schalter kann jederzeit losgelassen werden, um den Kraftantrieb abzuschalten.

Halten Sie den Kraftantrieb beim Gewindeschneiden oder beim Zurückziehen des Schneidkopfs vom Rohr immer fest, um die beim Gewindeschneiden auftretenden Kräfte zu neutralisieren, unabhängig von der verwendeten Stützvorrichtung. Dadurch wird das Risiko von Schlag-, Quetsch- und anderen Verletzungen verringert. Der EIN-/AUS-Schalter kann jederzeit losgelassen werden, um den Kraftantrieb abzuschalten.

## Gewindeschneiden

10. Stecken Sie mit trockenen Händen den Stecker der Gewindeschneidmaschine in die Steckdose.
11. Positionieren Sie den Schneidkopf über das Rohrende, und stützen Sie die Gewindeschneidmaschine laut Anweisung unter *Abschnitt Gegenhalten von Schneidkräften*.



**Abbildung 13 - Gewindeschneiden starten**

12. Betätigen Sie den EIN/AUS (ON/OFF)-Schalter und drücken Sie gleichzeitig mit der freien Handfläche gegen die Deckplatte des Schneidkopfs, um das Gewindeschneiden zu starten. Tragen Sie beim Drücken gegen die Deckplatte keine Handschuhe, Schmuck und verwenden Sie keine Lappen, da sonst das Risiko eines Verfangens und von Verletzungen erhöht wird. Nachdem die Schneidbacken das Rohr ergreifen, wird das Gewinde geschnitten, während sich die Schneidbacken auf das Rohrende ziehen.

Halten Sie den Griff der Gewindeschneidmaschine immer fest, um den Schneidkräften entgegen zu halten. Stützvorrichtungen können rutschen, weshalb sich die Gewindeschneidmaschine bewegen kann. Der EIN/AUS (ON/OFF)-Schalter kann jederzeit losgelassen werden, um die Gewindeschneidmaschine auszuschalten.

13. Lassen Sie die Deckplatte los, und tragen Sie mit dem Öl eine großzügige Menge RIDGID Gewindeschneidöl auf den zu schneidenden Bereich auf. Dadurch wird das Gewindeschneidmoment verringert, die Gewindequalität verbessert und die Lebensdauer verlängert.



**Abbildung 14 - Rohrgewinde schneiden**

14. Halten Sie den EIN/AUS (ON/OFF)-Schalter gedrückt, bis das Rohrende die Kante der Schneidbacke erreicht hat, und lassen Sie den Schalter los. Warten Sie, bis die Gewindeschneidmaschine komplett still steht.



**Abbildung 15 - Rohr mit Schneidbackenkante bündig**

15. Schalten Sie den F/R-Schiebeschalter um und betätigen Sie den EIN/AUS (ON/OFF)-Schalter, um den Schneidkopf vom geschnittenen Rohr zu entfernen. Halten Sie den Griff der Gewindeschneidmaschine fest, um die auf den Griff wirkende Kräfte beim Entfernen des Schneidkopfs zu absorbieren.

**HINWEIS** Ändern Sie die Stellung des F/R-Schiebeschalters nur, wenn der Ein/AUS (ON/OFF)-Schalter nicht gedrückt ist. Lassen Sie die Maschine komplett bis zum Stillstand auslaufen, bevor Sie die Drehrichtung mit dem F/R-Schiebeschalter ändern. Dadurch wird das Risiko einer Beschädigung der Gewindeschneidmaschine verringert.

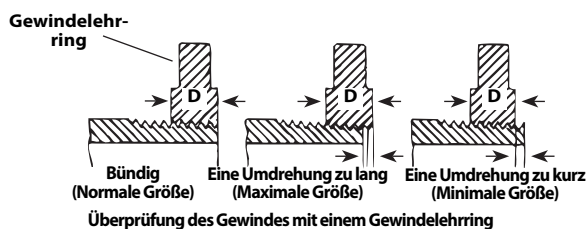
16. Lassen Sie den Schalter los, und entfernen Sie die Gewindeschneidmaschine und den Schneidkopf vom Rohr.
17. Ziehen Sie mit trockenen Händen den Stecker der Gewindeschneidmaschine aus der Steckdose.
18. Entfernen Sie Öl und Schmutz vom Gewinde und vom Schneidkopf, und achten Sie darauf, sich nicht an scharfen Spänen oder Kanten zu schneiden. Wischen Sie verschüttetes Öl im Arbeitsbereich auf.

### Prüfung von Gewinden

1. Entfernen Sie Öl, Späne und Schmutz vom Gewinde.
2. Führen Sie eine Sichtprüfung des Gewindes durch. Das Gewinde muss glatt, vollständig und gleichmäßig sein. Wenn Probleme wie Gewindeausrisse, dünnes Gewinde oder Unrundheit des Rohrs festgestellt werden, dichtet das Gewinde beim Konfektionieren möglicherweise nicht richtig ab. Siehe Tabelle "Fehlersuche" zur Hilfe bei der Diagnose dieser Probleme.

3. Überprüfen Sie die Größe des Gewindes. Das bevorzugte Verfahren zur Überprüfung der Gewindegröße ist die Messung mit einem Gewindelehrring. Es gibt verschiedene Arten von Gewindelehrringen, und ihr Einsatz kann von dem dargestellten abweichen. *Abbildung 16.*

- Schrauben Sie den Gewindelehrring handfest auf das Gewinde.
- Achten Sie darauf, wie weit das Rohrende aus dem Gewindelehrring hervorsteht. Das Rohrende darf von der Leerringkante um höchstens eine Umdrehung abweichen. Wenn das Gewinde nicht die richtige Größe hat, schneiden Sie das Gewinde ab, stellen Sie den Schneidkopf ein, und schneiden ein neues Gewinde. Ein Gewinde mit falscher Größe kann zu Lecks führen.



**Abbildung 16 - Überprüfung der Gewindegröße**

- Wenn kein Gewindelehrring zur Prüfung des Gewindes verfügbar ist, kann auch ein neues und sauberes Fitting mit der Größe des zu schneidenden Gewindes verwendet werden. Bei 2" und kleineren NPT-Gewinden muss das Gewinde so abgeschnitten werden, dass nach 4 bis 5 Umdrehungen ein dichter Verschluss mit dem Fitting erzielt wird. Bei 2" und kleineren BSPT-Gewinden müssen es 3 Umdrehungen sein.

## Wartungshinweise

### ⚠️ WARNUNG

**Vergewissern Sie sich, dass der EIN-/AUS-Schalter freigegeben ist und das Werkzeug vom Netz getrennt ist, bevor Sie Wartungsarbeiten durchführen oder Einstellungen vornehmen.**

**Warten Sie das Werkzeug gemäß dieser Verfahren, um das Risiko von Verletzungen durch Stromschlag, Verfangen und andere Ursachen zu verringern.**

### Reinigung

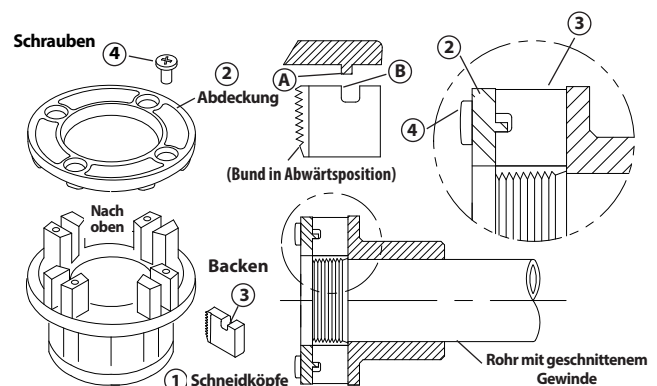
1. Entleeren Sie nach jedem Gebrauch die Gewindespäne aus der Spänwanne des 418 Ölers und entfernen Sie Ölreste.

2. Reinigen Sie ausgetretenes Öl, Fett oder Schmutz von der Gewindegewindemaschine, einschließlich Griffe und Bedienelemente. Reinigen Sie den 690-I-Haltemechanismus.
3. Wischen Sie Öl, Fett und Schmutz vom Stützarm ab. Reinigen Sie bei Bedarf die Stützarmbacken mit einer Drahtbürste.
4. Entfernen Sie Schmutz und Späne von den Schneidköpfen.

## Austausch von Schneidbacken bei 11-R-Schneidköpfen

Für die RIDGID 11-R Schneidköpfe werden verschiedene Schneidbacken angeboten. Angaben zur Verfügbarkeit finden Sie im Katalog.

1. Entfernen Sie die vier Schrauben (4) vom Deckel (2), und entfernen Sie die Deckplatte.
2. Entfernen Sie die alten Schneidbacken (3) aus dem Schneidkopf.
3. Setzen Sie neue Schneidbacken in die Schlitze ein, die nummerierte Kante zeigt nach oben. Die Nummern auf den Schneidkopfschlitzen übereinstimmen. Tauschen Sie Schneidbacken immer im Satz aus.



**Abbildung 17 - Einsetzen der Schneidbacken in den Schneidkopf**

4. Setzen Sie die Deckplatte wieder auf, und ziehen Sie die vier Schrauben leicht an.
5. Schieben Sie den Schneidkopf auf ein bereits mit einem Gewinde versehenes Rohr, bis die Schneidbacken mit dem Gewindegewindemaschine beginnen. Dadurch werden die Anschläge an der Backe (4) nach außen gegen die Nasen (4) an der Deckplatte gedrückt und richtig befestigt.
6. Ziehen Sie die vier Schrauben fest. Entfernen Sie das geschnittene Rohr, und machen einen Probeschnitt.

## Austausch der Bürsten im Motor

Prüfen Sie die Motorbürsten alle 6 Monate. Ersetzen Sie Bürsten, die auf weniger als  $\frac{5}{16}$ " (8 mm) abgenutzt sind.

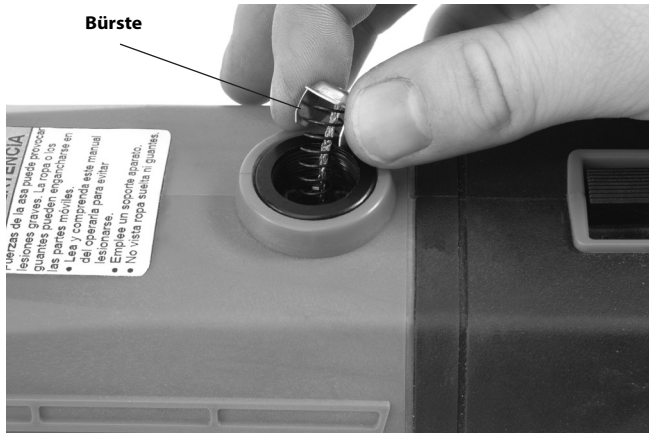


Abbildung 18 - Einbau der Bürsten

1. Ziehen Sie den Netzstecker aus der Steckdose.
2. Schrauben Sie die Bürstenkappen ab. (Abbildungen 1 und 2). Bauen Sie die Bürsten aus und prüfen Sie sie. Ersetzen Sie Bürsten, die auf weniger als  $\frac{5}{16}$ " (8 mm) abgenutzt sind. Überprüfen Sie den Kollektor auf Verschleiß. Lassen Sie bei übermäßigem Verschleiß das Werkzeug warten.
3. Bauen Sie die alten bzw. neuen Bürsten ein und ziehen Sie die Bürstenkappen fest.
4. Idealerweise sollte das Gerät im Leerlauf 15 Minuten in Vorwärtsrichtung und anschließend 15 Minuten in Rückwärtsrichtung betrieben werden, damit sich die Bürsten auf den Kollektor einsetzen.

## Zubehör

### ⚠️ WARNUNG

**Um Verletzungsgefahr zu vermeiden, verwenden Sie nur die speziell für die Gewindeschneidmaschinen 600-I und 690-I entwickelten und empfohlenen Zubehörteile, die nachstehend aufgeführt sind. Anderes Zubehör für andere Werkzeuge kann gefährlich sein, wenn es mit den Gewindeschneidmaschinen 600-I und 690-I verwendet wird.**

## Zubehör für 600-I und 690-I Gewindeschneidmaschinen

Best.-Nr.	Beschreibung
45923	602 Stützarm
45928	692 Stützarm
46668	600-I Tragetasche
46673	690-I Tragetasche
10883	418 Öler mit 1 Gallone (3,8 Liter) Nu-Clear Öl
16703	425 $\frac{1}{8}$ " - 2 $\frac{1}{2}$ " TRISTAND Schraubstock (Dreibein Arbeitsgerät)
36273	460-6 $\frac{1}{8}$ " - 6" TRISTAND Schraubstock (Dreibein Arbeitsgerät)
45543	115 V-Bürsten
45588	230V-Bürsten

Weitere Informationen zum speziell für das Werkzeug passende Zubehör finden Sie im RIDGID Katalog und Online unter [RIDGID.com/RIDGID.eu](http://RIDGID.com/RIDGID.eu)

## Lagerung des Geräts

**⚠️ WARNUNG** Gewindeschneidmaschinen müssen im Innenbereich eingesetzt oder bei Regenwetter abgedeckt werden. Lagern Sie die Maschine in einem abgeschlossenen Bereich außer Reichweite von Kindern und Personen, die mit der Maschine nicht vertraut sind. Wenn dieses Werkzeug in die Hände von nicht geschulten Benutzern gelangt, kann es schwere Verletzungen verursachen.

## Wartung und Reparatur

### ⚠️ WARNUNG

**Die Betriebssicherheit des Geräts kann durch unsachgemäße Wartung oder Reparatur beeinträchtigt werden.**

In den "Wartungsanweisungen" sind die meisten der Wartungsanforderungen für dieses Gerät erläutert. Alle Probleme, die in diesem Abschnitt nicht erwähnt werden, sollten von einem qualifizierten RIDGID-Wartungstechniker behoben werden.

Die Maschine ist für die Wartung zu einem autorisierten, unabhängigen RIDGID Kundendienst-Center zu bringen oder an den Hersteller einzuschicken. Verwenden Sie ausschließlich RIDGID Serviceteile.

Falls Sie Informationen zu einem autorisierten RIDGID Kundendienst-Center in Ihrer Nähe benötigen oder Fragen zu Service oder Reparatur haben:

- Wenden Sie sich an Ihren örtlichen RIDGID Händler.
- Besuchen Sie [RIDGID.com/RIDGID.eu](http://RIDGID.com/RIDGID.eu), um einen RIDGID Kontakt/Händler in Ihrer Nähe zu finden.
- Wenden Sie sich an autorisierte RIDGID Servicestellen oder den Werksservice (oder die Abteilung Technischer Kundendienst von Ridge Tool unter [rtctechservices@emerson.com](mailto:rtctechservices@emerson.com) oder in den USA und Kanada telefonisch unter (800) 519-3456.)

## Gewindeschneidöl

Informationen zur Verwendung und Handhabung von RIDGID® Gewindeschneidöl finden Sie auf den Etiketten am Behälter und im Sicherheitsdatenblatt (MSDS). Das Sicherheitsdatenblatt finden Sie unter [RIDGID.com/RIDGID.eu](http://RIDGID.com/RIDGID.eu) (oder kontaktieren Sie die Abteilung Technischer Kundendienst von Ridge Tool unter [rtctechservices@emerson.com](mailto:rtctechservices@emerson.com) oder in den USA und Kanada telefonisch unter (800) 519-3456.)

## Entsorgung

Teile der Gewindeschneidmaschine enthalten wertvolle Materialien und können recycelt werden. Hierfür gibt es auf Recycling spezialisierte Betriebe, die u. U. auch örtlich ansässig sind. Entsorgen Sie die Teile entsprechend den örtlich geltenden Bestimmungen. Weitere Informationen erhalten Sie bei der örtlichen Abfallwirtschaftsbehörde.



**Für EG-Länder:** Werfen Sie Elektrogeräte nicht in den Hausmüll!

Gemäß der Europäischen Richtlinie 2012/19/EU über Elektro- und Elektronik-Altgeräte und ihrer Umsetzung in nationales Recht müssen nicht mehr gebrauchsfähige Elektrogeräte getrennt gesammelt und einer umweltgerechten Wiederverwertung zugeführt werden.

## Fehlersuche

SYMPTOM	MÖGLICHE URSACHEN	LÖSUNG
<b>Maschine läuft nicht.</b>	Bürsten berühren nicht den Anker.	Bürsten überprüfen, bei Verschleiß ersetzen.
<b>Maschine schneidet kein Gewinde.</b>	Stumpfe Schneidbacken. Überlastung wegen verschlissener oder nicht runder Gewinde. Falsches oder zu wenig Gewindeschneidöl. Mangelhafte Netzspannung.	Schneidbacken ersetzen. Siehe mögliche Gründe unten.  Verwenden Sie RIDGID® Gewindeschneidöl in ausreichender Menge. Versorgungsspannung prüfen.
<b>Funkenerzeugung am Motorkollektor.</b>	Unzureichender Kontakt zwischen Bürsten und Kollektor.  Bürsten berühren den Kollektor nicht richtig. Bürsten verschiedener Hersteller. Neue Bürsten.	Die Bürstenkappen festziehen, um sicherzustellen, dass die Bürsten fest auf den Kollektor gedrückt werden. Abgenutzte Bürsten und/oder Anker ersetzen. Nur RIDGID® Bürsten verwenden. Das Gerät 15 Minuten im Leerlauf in Vorwärts- und Rückwärtsrichtung laufen lassen, um die Bürsten einzufahren.
<b>Schneidkopf beginnt nicht mit Gewindeschneiden.</b>	Schneidkopf nicht senkrecht auf Rohrende ausgerichtet. Eingriffskraft wirkt nicht richtig am Schneidkopf. Rohrende nicht senkrecht geschnitten. Stumpfe oder gebrochene Schneidbacken. Maschine läuft in die falsche Richtung. Schneidbacken nicht richtig im Schneidkopf gesetzt.	Fegen die Deckelplatte des Schneidkopfs drücken, um das Gewindeschneiden zu starten. Eingriffskraft durch die Mittellinie des Rohres wirken lassen. Rohrende senkrecht schneiden. Schneidbacken ersetzen. Position des F/R-Schiebeschalters prüfen. Sicherstellen, dass die Führungen nach außen gegen die Deckplattenasen gesetzt sind.
<b>Ausgerissene Gewinde.</b>	Beschädigte, ausgebrochene oder verschlissene Schneidbacken. Falsches oder zu wenig Gewindeschneidöl. Falscher Schneidbackentyp für das Material.  Rohrmaterial von schlechter Qualität.	Schneidbacken ersetzen.  Verwenden Sie RIDGID® Gewindeschneidöl in ausreichender Menge. High-Speed-, Edelstahl- oder Aluminium-Schneidbacken verwenden, die für die Anwendung geeignet sind. Rohre mit besserer Qualität verwenden.
<b>Unrunde oder eingedrückte Gewinde.</b>	Rohrwand ist zu dünn.	Rohrwandstärke 40 oder dicker verwenden.
<b>Stützvorrichtung dreht sich beim Gewindeschneiden.</b>	Stützarmbacken verschmutzt. Stützarm nicht richtig ausgerichtet. Stützarm nicht fest.	Mit einer Drahtbürste reinigen. Stützarm senkrecht auf das Rohr ausrichten. Vorlaufschraube festziehen.
<b>Zu dünnes Gewinde.</b>	Schneidbacken nicht in der richtigen Reihenfolge platziert.	Schneidbacken in den richtigen Steckplatz am Schneidkopf platzieren.



# Aandrijfmachines

## 600-I/690-I



### **⚠ WAARSCHUWING!**

Lees deze handleiding aandachtig vooraleer u deze machine gebruikt. Het niet begrijpen en naleven van de volledige inhoud van deze handleiding kan resulteren in elektrische schokken, brand en/of ernstige verwondingen.

#### **Aandrijfmachines 600-I/690-I**

Noteer het serienummer hieronder en bewaar het serienummer, dat u vindt op het identificatieplaatje.

Serie-  
nr.

--	--

## Inhoudsopgave

<b>Registratieformulier voor het serienummer van machine</b> .....	63
<b>Veiligheidssymbolen</b> .....	65
<b>Algemene veiligheidswaarschuwingen i.v.m. elektrisch gereedschap</b> .....	65
Veiligheid op de werkplek.....	65
Elektrische veiligheid.....	65
Persoonlijke veiligheid.....	66
Gebruik en behandeling van elektrisch gereedschap.....	66
Onderhoud.....	67
<b>Specifieke veiligheidsinformatie</b> .....	67
Veiligheid bij de aandrijfmachine.....	67
<b>Beschrijving, specificaties en standaarduitrusting</b> .....	68
Beschrijving.....	68
Standaarduitrusting.....	69
Specificaties.....	69
<b>Inspectie vóór gebruik</b> .....	70
<b>Instelling en gebruik</b> .....	71
Draadsnijkoppen installeren.....	71
Krachten van het draadsnijden weerstaan.....	73
Draadsnijden.....	74
Schroefdraden inspecteren.....	75
<b>Onderhoudsinstructies</b> .....	75
Schoonmaken.....	75
Snijkussens in 11-R draadsnijkoppen verwisselen.....	75
Borstels in de motor vervangen.....	76
<b>Accessoires</b> .....	76
<b>Opbergen van de machine</b> .....	76
<b>Onderhoud en reparatie</b> .....	76
<b>Draadsnijolie</b> .....	77
<b>Afvalverwijdering</b> .....	77
<b>Probleemwijzer</b> .....	78
<b>EG-conformiteitsverklaring</b> .....	Binnenkant achteromslag
<b>Levenslange garantie</b> .....	Achteromslag

\* Vertaling van de oorspronkelijke gebruiksaanwijzing

## Veiligheidssymbolen

In deze handleiding en op het product worden veiligheidssymbolen en signaalwoorden gebruikt om belangrijke veiligheidsinformatie aan te geven. In dit gedeelte worden deze signaalwoorden en symbolen uitgelegd.



Dit is het veiligheidsalarmsymbool. Het wordt gebruikt om uw aandacht te vestigen op potentiële risico's op lichamelijk letsel. Leef alle veiligheidsinstructies achter dit symbool na om mogelijke letfels of dodelijke ongevallen te voorkomen.



**GEVAAR** verwijst naar een gevaarlijke situatie die, als ze niet wordt vermeden, zal resulteren in een ernstig of dodelijk letsel.



**WAARSCHUWING** verwijst naar een gevaarlijke situatie die, als ze niet wordt vermeden, kan resulteren in een ernstig of dodelijk letsel.



**VOORZICHTIG** verwijst naar een gevaarlijke situatie die, als ze niet wordt vermeden, kan resulteren in een licht of matig letsel.



**OPGELET** verwijst naar informatie over eigendomsbescherming.



Dit pictogram geeft aan dat u de handleiding aandachtig moet lezen voordat u het gereedschap gebruikt. De handleiding bevat belangrijke informatie over de veilige en correcte bediening van het apparaat.



Dit symbool geeft aan dat u altijd een veiligheidsbril moet dragen als u dit gereedschap gebruikt of bedient om het risico van oogletfels te verminderen.



Dit symbool wijst op het risico dat vingers, handen, kledingstukken en andere voorwerpen kunnen worden gegrepen tussen tandwielen of andere draaiende onderdelen en verbrijzelingsletfels kunnen veroorzaken.



Dit symbool waarschuwt voor het gevaar van een elektrische schok.



Dit symbool geeft aan dat de machine kan omkantelen waardoor verwondingen door stoten of kneuzingen kunnen ontstaan.



Dit symbool betekent dat men geen handschoenen mag dragen bij het werken met deze machine om het risico van verstrikking te verkleinen.



Dit symbool betekent dat er een steunapparaat moet worden gebruikt om de krachten van het draadsnijden te weerstaan, de controle te verbeteren en het risico van stoten, verbrijzelen en/of ander letsel te verkleinen.

## Algemene veiligheidswaarschuwingen i.v.m. elektrisch gereedschap\*

### ⚠ WAARSCHUWING

**Lees alle veiligheidswaarschuwingen, instructies, illustraties en specificaties die bij dit elektrische gereedschap zijn geleverd. Het niet naleven van een van de onderstaande instructies kan leiden tot elektrische schokken, brand en/of ernstig lichamelijk letsel.**

### BEWAAR ALLE WAARSCHUWINGEN EN INSTRUCTIES VOOR LATERE RAADPLEGING!

De term 'elektrisch gereedschap' in de waarschuwingen heeft betrekking op uw op netvoeding werkend elektrisch gereedschap (met snoer) of uw op batterijen werkend (snoerloos) elektrisch gereedschap.

### Veiligheid op de werkplek

- **Houd de werkplek schoon en goed verlicht.** Op een rommelige of donkere plek doen zich eerder ongelukken voor.

- **Gebruik elektrisch gereedschap niet in een explosieve omgeving, bijvoorbeeld in de aanwezigheid van brandbare vloeistoffen, gassen of stof.** Elektrisch gereedschap geeft vonken af die stof of dampen kunnen doen ontbranden.

- **Houd kinderen en omstanders op afstand terwijl u met elektrisch gereedschap werkt.** U kan de controle over het gereedschap verliezen als u wordt afgeleid.

### Elektrische veiligheid

- **De stekker van het elektrisch gereedschap moet passen op het gebruikte stopcontact. Breng nooit wijzigingen aan aan de stekker. Gebruik in combinatie met geaard elektrisch gereedschap geen verloopstekkers.** Het gebruik van ongemodificeerde stekkers en bijpassende stopcontacten verkleint het risico op elektrische schokken.

\* De tekst die gebruikt is in het hoofdstuk "Algemene veiligheidswaarschuwingen in verband met elektrisch gereedschap" van deze handleiding, komt (zoals verplicht) voortdurend uit de geldende norm UL/CSA 62841. Dit hoofdstuk bevat algemene veiligheidsvoorschriften voor een groot aantal verschillende soorten elektrisch gereedschap. Niet ieder voorschrift geldt voor ieder stuk gereedschap, en sommige voorschriften zijn niet van toepassing op deze machine.

- **Vermijd lichamelijk contact met geaarde oppervlakken zoals leidingen, radiatoren, fornuizen en koelkasten.** Het risico van elektrische schokken is groter wanneer uw lichaam geaard is.
- **Stel elektrisch gereedschap niet bloot aan regen of vochtige omstandigheden.** Als er water in het elektrisch gereedschap komt, neemt het risico op elektrische schokken toe.
- **Gebruik het snoer alleen zoals het bedoeld is. Gebruik het snoer nooit om elektrisch gereedschap te dragen, te verslepen of om de stekker uit het stopcontact te trekken. Houd het snoer uit de buurt van warmtebronnen, olie, scherpe randen en bewegende onderdelen.** Als het snoer wordt beschadigd of in de knoop raakt, neemt het risico van elektrische schokken toe.
- **Wanneer u een elektrische machine buiten gebruikt, dient u een verlengsnoer te gebruiken dat geschikt is voor buiten.** Door een verlengsnoer te gebruiken dat geschikt is voor buiten wordt het risico van elektrische schokken beperkt.
- **Als u gedwongen bent het elektrisch gereedschap op een vochtige plek te gebruiken, moet de voeding beveiligd zijn met een aardlekschakelaar.** Door het gebruik van een aardlekschakelaar wordt het risico van elektrische schokken beperkt.
- **Verwijder eventueel aanwezige stelsleutels en andere sleutels voordat u het elektrisch gereedschap inschakelt.** Een sleutel bevestigd aan een draaiend onderdeel van een elektrisch gereedschap kan persoonlijk letsel veroorzaken.
- **Reik niet te ver voorover. Zorg dat u altijd stevig staat en dat u uw evenwicht niet verliest.** Zo hebt u meer controle over het gereedschap als er zich een onverwachte situatie voordoet.
- **Draag geschikte kleding. Draag geen loszittende kledingstukken of sieraden. Blijf met uw haren, kleding en handschoenen uit de buurt van bewegende delen.** Losse kledingstukken, juwelen of lang haar kunnen worden gegrepen door bewegende onderdelen.
- **Als het gereedschap voorzien is van aansluitingen voor stofafzuiging en -opvang, zorg dan dat die zijn aangesloten en gebruik ze op de voorgeschreven wijze.** Door gebruik van stofopvang kunnen risico's als gevolg van de aanwezigheid van stof worden vermeden.
- **Voorkom dat u door vertrouwdheid door veelvuldig gebruik van gereedschappen gemakzuchtig wordt en de veiligheidsprincipes van het gereedschap negeert.** Een onoplettende handeling kan in een fractie van een seconde ernstig letsel veroorzaken.

## Persoonlijke veiligheid

- **Wees alert, let op wat u doet en gebruik uw gezond verstand bij het gebruik van elektrisch gereedschap. Gebruik geen elektrisch gereedschap wanneer u moe bent of onder invloed van drugs, alcohol of geneesmiddelen.** Als u ook maar even niet oplet tijdens het gebruik van elektrisch gereedschap kan dit resulteren in ernstig lichamelijk letsel.
- **Gebruik persoonlijke beschermingsmiddelen. Draag altijd een veiligheidsbril.** Aan de werkomstandigheden aangepaste beschermingsmiddelen zoals een stofmasker, veiligheidsschoenen met antislipzolen, een veiligheidshelm en gehoorbeschermingsmiddelen verminderen het risico op lichamelijk letsel.
- **Voorkom onopzettelijk opstarten. Controleer of de schakelaar uit staat voordat u de voeding en/of het batterijpakket aansluit, en voordat u het gereedschap oppakt of verplaatst.** Gereedschap dragen met de vinger op de schakelaar, of de stroom aanzetten als de schakelaar aan staat, is vragen om ongevallen.
- **Forceer het elektrisch gereedschap nooit. Gebruik het juiste elektrische gereedschap voor uw werkzaamheden.** Het juiste elektrische gereedschap werkt beter en veiliger als u het gebruikt tegen het tempo waarvoor het is ontworpen.
- **Gebruik het elektrisch gereedschap niet als u het niet in en uit kunt schakelen met de schakelaar.** Een elektrische machine die niet in- en uitgeschakeld kan worden met de schakelaar is gevaarlijk en moet hersteld worden.
- **Trek de stekker uit het stopcontact en/of koppel het batterijpakket los van het elektrische gereedschap voordat u afstellingen verricht, accessoires verwisselt of het elektrische gereedschap opbergt.** Deze preventieve veiligheidsmaatregelen verkleinen het risico op het onopzettelijk starten van de elektrische machine.
- **Bewaar ongebruikt elektrisch gereedschap buiten het bereik van kinderen en laat personen die onbekend zijn met het elektrisch gereedschap of met deze instructies niet met het elektrisch gereedschap werken.** Elektrisch gereedschap is gevaarlijk in de handen van ongeschoolde gebruikers.

- **Zorg voor een goed onderhoud van elektrisch gereedschap en toebehoren. Controleer op verkeerd aangesloten en aanlopende of vastgelopen bewegende delen, defecte onderdelen en andere omstandigheden die gevolgen kunnen hebben voor de werking van het elektrische gereedschap. Als het elektrische gereedschap beschadigd is, moet u het laten repareren alvorens u het opnieuw gebruikt.** Heel wat ongelukken worden veroorzaakt door slecht onderhouden elektrisch gereedschap.
- **Houd snijwerktuigen scherp en schoon.** Goed onderhouden snijwerktuigen met scherpe snijranden zullen minder gemakkelijk blokkeren en zijn gemakkelijker te bedienen.
- **Gebruik het elektrische gereedschap, accessoires en gereedschapsbits overeenkomstig deze instructies, rekening houdend met de werkomstandigheden en de te verrichten werkzaamheden.** Het gebruik van elektrisch gereedschap voor andere toepassingen dan de beoogde, kan leiden tot gevaarlijke situaties.
- **Houd handgrepen en gripoppervlakken droog, schoon en vrij van olie en vet.** Door gladde handgrepen en gripoppervlakken kan het gereedschap in een onverwachte situatie niet veilig worden gebruikt of bediend.

## Onderhoud

- **Laat uw elektrisch gereedschap onderhouden en repareren door een bevoegde hersteldienst die uitsluitend identieke vervangingsonderdelen gebruikt.** Zo wordt de veiligheid van het elektrisch gereedschap gewaarborgd.

## Specifieke veiligheidsinformatie

### ⚠ WAARSCHUWING

**Dit hoofdstuk bevat belangrijke veiligheidsinformatie speciaal voor dit gereedschap.**

**Lees aandachtig de voorzorgsmaatregelen door voordat u de aandrijfmachines gebruikt om het risico op elektrische schokken of op ernstig lichamelijk letsel te verminderen.**

### BEWAAR DEZE INSTRUCTIES!

Bewaar deze handleiding bij de machine zodat de gebruiker ze bij de hand heeft.

## Veiligheid bij de aandrijfmachine

- **Gebruik altijd het steunapparaat dat bij het gereedschap geleverd is.** Als u de controle verliest over het gereedschap kan dit persoonlijk letsel tot gevolg hebben.
- **Houd mouwen en jasjes toegeknoopt terwijl u met het gereedschap werkt. Ga niet over het gereedschap of de pijp hangen.** Kledingstukken kunnen worden gegrepen door de pijp of het gereedschap en verstrikt raken.
- **Eén persoon moet het werkproces en de werking van het gereedschap controleren.** Als er zich meer mensen met het werk gaan bemoeien, kan dit onbedoelde handelingen tot gevolg hebben, die op hun beurt tot persoonlijk letsel kunnen leiden.
- **Houd vloeren droog en vrij van glibberige stoffen zoals olie.** Op glibberige vloeren doen zich sneller ongelukken voor.
- **Draag geen handschoenen terwijl u met het gereedschap aan het werk bent. Ga niet over het gereedschap of de pijp hangen.** Handschoenen kunnen worden gegrepen door de pijp of het gereedschap en verstrikt raken.
- **Houd de Power Drive aandrijfmachine altijd stevig vast tijdens het snijden van schroefdraad of wanneer de draadsnijknop van de pijp wordt genomen, om de krachten van het draadsnijden te weerstaan, ongeacht het steunapparaat dat wordt gebruikt.** Dit vermindert het risico van stoten, verbrijzelen en ander letsel.
- **Volg de instructies over het correcte gebruik van deze machine. Gebruik het gereedschap niet voor andere doelen, zoals gaten boren of een windas aandrijven.** Het gebruik van dit gereedschappen voor andere toepassingen – of het aanbrengen van wijzigingen aan de machine voor andere toepassingen – kan het risico op ernstige letsels verhogen.
- **Gebruik de aandrijfmachine niet wanneer de aan/uitschakelaar (ON/OFF) kapot is.** Deze schakelaar is een veiligheidsvoorziening waarmee u de motor kunt uitschakelen door de schakelaar los te laten.
- **Gebruik geen botte of beschadigde snijkussens.** Scherp snijgereedschap vergt een geringer koppel en de aandrijfmachine is dan gemakkelijker te controleren.
- **Houd handgrepen droog, schoon en vrij van olie en vet.** Hierdoor houdt u meer controle over het apparaat.
- **Gebruik met de RIDGID Power Drive elektrische aandrijfgereedschappen uitsluitend RIDGID snijkoppen.** Andere snijkoppen passen mogelijk niet correct in het gereedschap, waardoor er een hoger risico ontstaat op schade aan het gereedschap of persoonlijk letsel.

Als u vragen hebt over dit RIDGID® product:

- Neem contact op met uw plaatselijke RIDGID-distributeur.
- Kijk op RIDGID.com om uw plaatselijke RIDGID-contactpunt te vinden.
- Neem contact op met het Ridge Tool Technical Services Department via [rttechservices@emerson.com](mailto:rttechservices@emerson.com), of in de VS en Canada via het nummer (800) 519-3456.

## Beschrijving, specificaties en standaarduitrusting

### Beschrijving

De RIDGID®-aandrijfmachinemodellen 600-I en 690-I zijn dubbel geïsoleerde aandrijfmachines die aandrijfkraften leveren voor het snijden van draad op pijpen en doorvoeren. De rotatie vooruit en achteruit kan worden geregeld met een schuifschakelaar terwijl de AAN/UIT-stand wordt bediend met een tweetraps momentcontactschakelaar.

De aandrijfmachine 600-I is bedoeld voor gebruik met de RIDGID 11-R draadsnijdkoppen (1/8" – 1 1/4" pijp). De 690-I-aandrijfmachine is ontwikkeld voor het gebruik van de RIDGID 11-R draadsnijdkoppen (1/8" – 2" pijp). Voor het gebruik van de 690-I aandrijfmachine met de maten 1/8" – 1 1/4" moet een adapter worden gebruikt. De adapter en de 1 1/2" – 2" maten worden in de 690-I aandrijfmachine bevestigd met een bevestigingsmechanisme.



**Figuur 1 – Aandrijfmachinemodel 600-I**



**Figuur 2 – Aandrijfmachinemodel 690-I**



**Figuur 3 – 602/692 steunarmen**

Het machineserienummerplaatje van de 600-I en 690-I aandrijfmachine bevindt zich op de onderkant van de motorhuis. De laatste 4 cijfers van het serienummer geven de maand en het jaar van de productie aan (MMJJ).

<b>RIDGID</b>			
Ridge Tool Company, Elyria, Ohio, U.S.A.			
Model No.	600-I	~	50 / 60 Hz
V	230	A	5
W	1020		
Capacity	1/8" - 1 1/4"	n <sub>0</sub>	32 /min
Serial No.			

**Figuur 4 – Machineserienummer**

## Standaarduitrusting

De aandrijfmachinemodellen 600-I/690-I worden met de volgende items geleverd:

- Aandrijfmachine
- 690-I adapter (alleen 690-I)
- Handleiding

**OPGELET** Het selecteren van de gepaste materialen en installatie-, verbindingen- en vormingsmethoden is de verantwoordelijkheid van de systeemontwerper en/of installateur. Verkeerde materialen en methoden kunnen systeemstoringen veroorzaken.

Roestvrij staal en andere corrosiebestendige materialen kunnen aangetast raken tijdens het installeren, verbinden en vormen. Deze aantasting kan leiden tot corrosie en voortijdige defecten. Alvorens een installatie aan te vatten, moet er een zorgvuldige analyse worden gemaakt van de geschiktheid van de materialen en methoden voor de specifieke bedrijfsvoorwaarden, met inbegrip van de chemische en temperatuurvoorwaarden.

## Specificaties

Parameter	Aandrijfmachine 600-I	Aandrijfmachine 690-I
Pijpdraadsnijcapaciteit	1/8 tot 1 1/4 inch (3 tot 32 mm)	1/8 tot 2 inch (3 tot 50 mm)
Draadsnijkopbevestiging	Ringveer	Bevestigingsmechanisme (1 1/2 – 2 inch) Ringveer (1/8 – 1 1/4 inch)
Links schroefdraad	Ja	Ja
Steunarm	nr. 602, nr. 601	nr. 692, nr. 691
Adapter	Niet nodig.	Wordt gebruikt met 1/8"- t/m 1 1/4"-draadsnijkoppen.
Motortype	Universele motor, éénfase	Universele motor, éénfase
Watt	1270 (120V), 1020 (220-240V)	1270 (120V), 1020 (220-240V)
Spanning/Fase beschikbaar	120V/1F, 220-240V/1F	120V/1F, 220-240V/1F
Ampère	12A (120V), 5A (220-240V)	12A (120V), 5A (220-240V)
Snelheid (TPM)	36 (120V), 32 (220-240V)	36 (120V), 32 (220-240V)
Bedieningselementen	Schuifschakelaar Vooruit/Achteruit Tweetraps AAN/UIT- momentcontactschakelaar	Schuifschakelaar Vooruit/Achteruit Tweetraps AAN/UIT- momentcontactschakelaar
Overbrenging	Gegoten aluminium permanent gesmeerd	Gegoten aluminium permanent gesmeerd
Lengte	20 inch (508 mm)	24,13 inch (613 mm)
Breedte	3,75 inch (95 mm)	4,75 inch (121 mm)
Hoogte	7,5 inch (191 mm)	8 inch (203 mm)
Gewicht	12,65 lbs (5,7 kg)	21,15 lbs (9,6 kg)
Geluidsdrukniveau (L <sub>PA</sub> )*	83 dB(A), K=3	83 dB(A), K=3
Geluidsvermogensniveau (L <sub>WA</sub> )*	94 dB(A), K=3	94 dB(A), K=3
Trilling*	< 2,5 m/s <sup>2</sup> , K=1.5	< 2,5 m/s <sup>2</sup> , K=1.5

\* Geluids- en trillingsmetingen worden uitgevoerd in overeenstemming met de gestandaardiseerde test zoals beschreven in de IEC62841-1 norm.

- De gemeten trillingswaarden mogen worden gebruikt voor vergelijkingen met andere werktuigen en voor een voorafgaande evaluatie van de blootstelling.
- Geluids- en trillingsemissies kunnen variëren naargelang van de plaats waar u zich bevindt en van het specifieke gebruik dat u van dit gereedschap maakt.
- De dagelijkse blootstellingsniveaus voor geluid en trillingen moeten voor elke toepassing worden geëvalueerd en er moeten passende veiligheidsmaatregelen worden genomen wanneer dat nodig is. Bij de evaluatie van de blootstellingsniveaus moet ook rekening worden gehouden met de tijd dat het gereedschap uitgeschakeld en niet in gebruik is. Dit kan het blootstellingsniveau over de totale werktijd aanzienlijk verminderen.

## Inspectie vóór gebruik

### ⚠ WAARSCHUWING



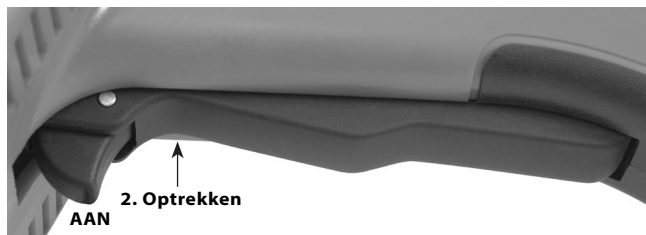
**U moet uw aandrijfmachine voor elk gebruik controleren en eventuele problemen verhelpen om het risico op ernstig letsel door een elektrische schok, verbrijzelingsletsel of een andere storing en beschadiging aan de aandrijfmachine te voorkomen.**

1. Zorg ervoor dat de stekker van de aandrijfmachine uit het stopcontact is getrokken.
2. Verwijder eventueel olie, vet of vuil van de aandrijfmachine en het steunapparaat, waaronder de handvatten en bedieningselementen. Dat bevordert de inspectie en helpt voorkomen dat het toestel of een bedieningselement uit uw handen zou schieten.
3. Inspecteer de aandrijfmachine en de steunarm op het volgende:
  - schade of wijzigingen aan het snoer en de stekker.
  - correcte montage, onderhoud en volledigheid.
  - beschadigde, verkeerd uitgelijnde of klemmende onderdelen.
  - correcte werking van de tweetraps AAN/UIT-momentcontactschakelaar (Figuur 5).
  - gripvertanding van de steunarm is schoon en in goede conditie. Vertanding kan worden gereinigd met een staalborstel.
  - aanwezigheid en leesbaarheid van de waarschuwinglabels.
  - elke andere toestand die een veilige en normale werking zou kunnen verhinderen.

Wanneer u problemen vaststelt, mag u de aandrijfmachine of het steunapparaat niet gebruiken alvorens de problemen zijn verholpen.



**Figuur 5A – tweetraps AAN/UIT-momentcontactschakelaar**

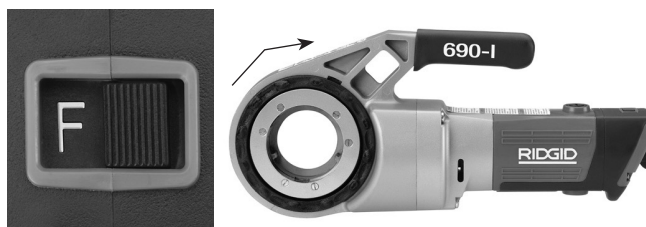


**Figuur 5B – tweetraps AAN/UIT-momentcontactschakelaar**

4. Controleer de snijranden van de snijkussens op slijtage, vervorming, afschilferingen of andere problemen. Botte of beschadigde snijgereedschappen verhogen de benodigde hoeveelheid kracht, leiden tot minderwaardige schroefdraden en verhogen het risico van letsel.
5. Inspecteer en onderhoud alle overige apparaten die volgens de betreffende instructies worden gebruikt, om er zeker van te zijn dat ze correct functioneren.
6. Volg de instellings- en bedieningsinstructies om de aandrijfmachine op de juiste werking te bedienen.
  - Beweeg de F/R-schakelaar (F=vooruit/R=achteruit) in de F-stand. Druk de AAN/UIT-schakelaar in en laat hem los (Figuur 5). Controleer of de aandrijfmachine rechtsom draait (Zie figuur 6) en stopt wanneer de schakelaar wordt losgelaten.
  - Herhaal het proces voor de R-stand (linksom). Als de aandrijfmachine niet in de juiste richting draait of als de machine niet geregeld kan worden met de AAN/UIT-schakelaar mag de machine niet gebruikt worden tot zij gerepareerd is.

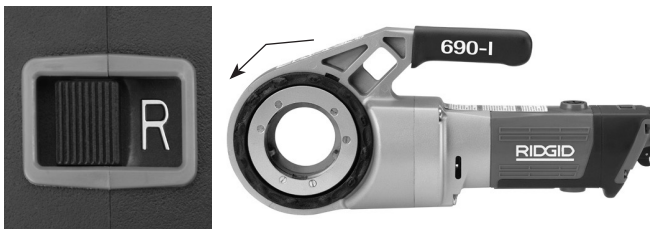
**OPGELET** Wijzig de stand van de F/R-schuifschakelaar alleen wanneer de AAN/UIT-schakelaar is losgelaten. Laat de aandrijfmachine volledig tot stilstand komen voordat de draairichting wordt omgedraaid met de F/R-schuifschakelaar. Dat vermindert het risico van schade aan de aandrijfmachine.

- Druk de AAN/UIT-schakelaar in en houd hem ingedrukt. Controleer de bewegende delen op verkeerde aansluitingen, vastlopen, vreemde geluiden en andere abnormale omstandigheden. Laat de ON/OFF-schakelaar los. Als er zich abnormale omstandigheden voordoen, mag de machine niet gebruikt worden totdat ze gerepareerd is.



**Figuur 6A – Schakelaarstand F (VOORUIT) (rechtsom)**





Figuur 6B – Schakelaarstand R (ACHTERUIT) (linksom)

- Laat de AAN/UIT-schakelaar los en trek met droge handen de stekker uit het stopcontact.

## Instelling en gebruik

### ⚠ WAARSCHUWING



**Stel de aandrijfmachine in en gebruik ze volgens deze procedures om het risico van letsel door elektrische schok, verstrikt raken, stoten, verbrijzelen en andere oorzaken te verminderen en om schade aan de aandrijfmachine te voorkomen.**

**Gebruik een geschikt steunapparaat in overeenstemming met deze instructies. Steunapparaten verbeteren de controle en verminderen het risico van stoten, verbrijzelen en/of ander letsel.**

**Wanneer een ander steunapparaat dan de meegeleverde steunarm wordt gebruikt, moet het steunapparaat drukken tegen het tandwielhuis of de ventilatorbehuizing. Steunapparaten die contact maken met het motorhuis of het handvat kunnen deze onderdelen beschadigen of het risico van letsel vergroten.**

**Houd de aandrijfmachine altijd stevig vast tijdens het draadsnijden of wanneer de draadsnijknop van de pijp wordt genomen om de krachten te weerstaan, ongeacht het steunapparaat dat wordt gebruikt. Dat vermindert het risico van stoten, verbrijzelen en ander letsel.**

**Draag geen handschoenen of losse kleding. Zorg dat mouwen en jassen dichtgeknoopt zijn. Loszittende kleding kan vast komen te zitten in draaiende delen en kneuzingen en stootletsel veroorzaken.**

**Ondersteun de pijp correct. Dat vermindert het risico van een vallende pijp, omkantelen en ernstig letsel.**

**Gebruik de aandrijfmachine niet zonder correct werkende AAN/UIT-schakelaar en F/R-schuifschakelaar.**

**Eén persoon moet zowel het arbeidsproces controleren als de AAN/UIT-schakelaar bedienen. De machine mag maar door één persoon bediend worden. In geval van verstriking moet de gebruiker de controle hebben over de AAN/UIT-schakelaar.**

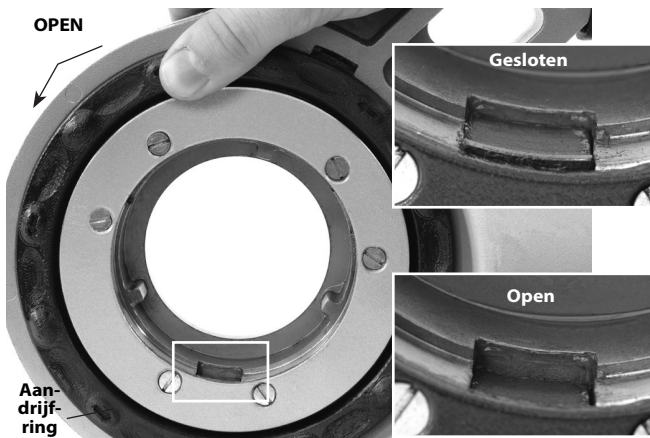
- Controleer de werkplek op:
  - Adequate verlichting.
  - Ontvlambare vloeistoffen, dampen of stof dat kan ontbranden. In aanwezigheid van deze stoffen mag u niet aan de slag gaan voordat de bronnen geïdentificeerd en afgesloten werden. De aandrijfmachines zijn niet explosieveilig en kunnen vonken veroorzaken.
  - Een obstakelvrije, vlakke, stabiele en droge plaats voor alle apparatuur en de gebruiker.
  - Goede ventilatie. Niet langdurig gebruiken in krappe, afgesloten ruimten.
  - Een correct geïnstalleerd stopcontact met de correcte spanning. Neem in geval van twijfel contact op met een erkende electricien.
  - Houd de weg naar het stopcontact vrij van objecten die schade aan het netsnoer kunnen veroorzaken.
- Inspecteer de pijp waarin de draad moet worden gesneden en ga na of de geselecteerde aandrijfmachine het juiste gereedschap is voor het werk. *Zie Specificaties.* Uitsluitend gebruiken voor het snijden van schroefdraad op recht materiaal.
 

Apparatuur voor andere toepassingen vindt u in de Ridge Tool-catalogus, online op RIDGID.com, of door Ridge Tool Technical Service in de VS en Canada te bellen op (800) 519-3456.
- Zorg ervoor dat de te gebruiken apparatuur correct is geïnspecteerd.
- Bereid de pijp op correcte wijze voor. Zorg ervoor dat de pijp recht is afgesneden en ontbraamd is. Pijpen die onder een hoek zijn afgesneden, kunnen de snijkussens beschadigen tijdens het draadsnijden of problemen veroorzaken bij het aangrijpen van de draadsnijknop.

## Draadsnijknoppen installeren

- Installeer de 1½" of de 2" snijkop of de adapter in de 690-I:
  - Zorg ervoor dat de AAN/UIT-schakelaar is uitgeschakeld is en de stekker van de aandrijfmachine uit het stopcontact is getrokken.

- b. Draai de aandrijfring linksom om het bevestigingsmechanisme te openen. Plaats het spie-einde van de snijkop of de adapter (indien noodzakelijk) in de aandrijfmachine (Figuur 7).
- c. Laat de aandrijfring los en controleer of de draadsnijkop/adapter goed bevestigd is.
- d. Voor het uitbouwen het proces in omgekeerde volgorde toepassen.



**Figuur 7 – Bevestigingsmechanisme, aandrijfring in de geopende/gesloten stand**



**Figuur 8 – De adapter in de 690-I installeren**

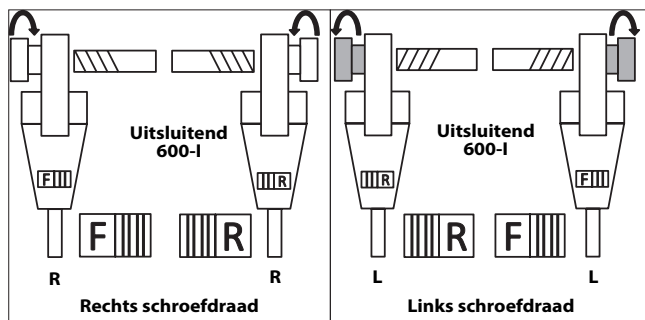
6. 1¼" en kleinere draadsnijkoppen inbouwen:
  - a. Zorg ervoor dat de AAN/UIT-schakelaar ontgrendeld is en de stekker van de aandrijfmachine uit het stopcontact is getrokken.
  - b. Indien noodzakelijk, bouwt u de adapter in 690-I in (Figuur 8).

- c. Steek het achthoekige uiteinde van de 11-R draadsnijkop recht in de aandrijfmachine tot deze wordt vastgegrepen door de veerring. Bij de 600-I kan de draadsnijkop in beide uiteinden van de aandrijfmachine worden ingestoken. Bij de 690-I kunnen de draadsnijkoppen alleen aan de adapterzijde worden ingestoken.
- d. Voor uitbouw trekt u de draadsnijkop uit de aandrijfmachine. Indien noodzakelijk gebruikt u een kunststofhamer of een blok hout om de draadsnijkop er uit te tikken. Niet op de draadsnijkop slaan, dat kan schade aan het gereedschap veroorzaken.



**Figuur 9 – De draadsnijkoppen in de aandrijfmachine 600-I installeren**

7. Plaats de F/R-schuifschakelaar van de aandrijfmachine in de gewenste stand voor een rechts of een links schroefdraad. Zie figuur 10.



**Figuur 10 – Schuifschakelaar/Draadsnijkopstand**

8. Zorg ervoor dat de te snijden pijp stabiel is en beveiligd is tegen omkantelen tijdens de bewerking. Gebruik geschikte pijpsteunen om de pijplengte te ondersteunen.
9. Controleer het peil van de RIDGID draadsnijolie in het RIDGID 418 koeloliesysteem. Verwijder de spanenbak en ga na of de filterzeef schoon en volledig ondergedompeld is in olie. Vervang de olie of vul deze zo nodig bij. Plaats de emmer van het RIDGID 418 koeloliesysteem onder het pijpeinde waarop een draad moet worden gesneden.

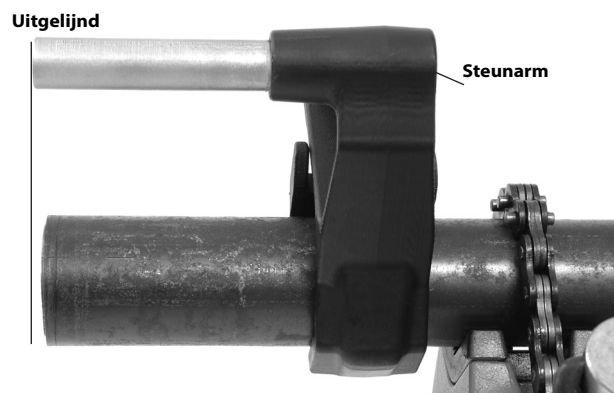
## Krachten van het draadsnijden weerstaan

Gebruik van de meegeleverde steunarm:

- Gebruik altijd de meegeleverde steunarm (steunarm 601 of 602 voor 600-I, steunarm 691 of 692 voor 690-I) tenzij deze niet kan worden gebruikt vanwege ruimtegebrek of andere beperkingen. De steunarm wordt aan de pijp geklemd en helpt de krachten van het draadsnijden te weerstaan.
- Plaats de steunarm op de pijp, dusdanig dat het uiteinde van de steunarm uitgelijnd is met het uiteinde van de pijp en de bovenkant van de steunarm horizontaal is (Figuur 11). Daarmee wordt de steunarm correct geplaatst voor het draadsnijden en wordt voorkomen dat olie in de motor loopt (Figuur 12).
- Zorg ervoor dat de bekken van de steunarm recht uitgelijnd zijn op de pijp en de steunarm stevig vastzetten.



Figuur 11A – Aanbrengen van de steunarm



Figuur 11B – Aanbrengen van de steunarm



Figuur 12 – Correcte stand van de aandrijfmachine

Wanneer de steunarm niet kan worden gebruikt:

Wanneer de pijp op zijn plek of op een soortgelijke wijze van draad moet worden voorzien, kan de steunarm wellicht niet worden gebruikt vanwege ruimtegebrek.

- Indien mogelijk de pijp verwijderen en de draad snijden in een bankschroef. Als dat niet mogelijk is, moeten andere steunapparaten worden gebruikt om de krachten van het draadsnijden te weerstaan, door bijvoorbeeld het tandwielhuis of het ventilatorhuis van het draadsnijgereedschap tegen een naast gelegen constructie-element (bijvoorbeeld muren, balken en hijsvoorzieningen) te plaatsen. Daarvoor moeten de pijp en de omgeving het gewicht van het gereedschap en de draadsnijkrachten kunnen opvangen. Wellicht moeten tijdelijk of permanente pijpsteunen of constructie-elementen worden aangebracht.
- Voor rechts schroefdraad draait de draadsnijkop rechtsom (gezien in de richting van de draadsnijkop). De krachten die ontstaan door het draadsnijkoppel zullen in tegenovergestelde richting, dus linksom zijn. Rotatie en kracht zijn omgekeerd voor links schroefdraad. Zorg ervoor dat het steunapparaat is ingesteld om de draadsnijkrachten correct op te vangen.
- Plaats de motor of het handvat van de aandrijfmachine niet tegen naastgelegen constructie-elementen om de snijkrachten op te vangen, omdat hierdoor schade aan de aandrijfmachine kan ontstaan.
- Houd de aandrijfmachine tegen het constructie-element en plaats geen vingers of handen tussen de aandrijfmachine en het constructie-element. Wanneer de draadsnijkop van de schroefdraad wordt genomen, altijd de aandrijfmachine stevig vasthouden om de krachten te weerstaan die ontstaan bij het breken van de schroefdraadschilfers. Deze stappen verminderen het risico van stoten, verbrijzelen en ander letsel. De AAN/UIT-schakelaar kan op elk moment worden losgelaten om de aandrijfmachine uit te schakelen.

Houd de Power Drive aandrijfmachine altijd stevig vast tijdens het snijden van schroefdraad of wanneer u de snijknop van een leiding neemt, tegen de kracht van het gereedschap in, ongeacht of u een steunapparaat gebruikt. Dit vermindert het risico van stoten, verbrijzelen en ander letsel. U kunt op elk moment de aan/uit-knop (ON/OFF) loslaten om de aandrijfmachine uit te schakelen.

## Draadsnijden

10. Met droge handen de stekker van de aandrijfmachine in het stopcontact steken.
11. Plaats de draadsnijkop over het pijpuiteinde en ondersteun de aandrijfmachine zoals aangegeven in het hoofdstuk *Krachten van het draadsnijden weerstaan*.



**Figuur 13 – De snijdraad starten**

12. Bedien tegelijkertijd de AAN/UIT-schakelaar en druk met de palm van de vrije hand tegen de afdekplaat van de draadsnijkop om de schroefdraad te starten. Draag geen handschoenen, sieraden en gebruik ook geen poetslap tijdens het aandrukken van de afdekplaat – dat verhoogt het risico van verstrikt raken en letsel. Zodra de snijkussens in de pijp grijpen, worden het schroefdraad gesneden terwijl de snijkussens zich op het uiteinde van de pijp trekken.

Houd het handvat van de aandrijfmachine altijd stevig vast om de krachten op het handvat te weerstaan. Steunapparaten kunnen wegglijden, waardoor de aandrijfmachine kan bewegen. De AAN/UIT-schakelaar kan op elk moment worden losgelaten om de aandrijfmachine uit te schakelen.

13. Stop met duwen op de afdekplaat en gebruik het koeloliesysteem om een royale hoeveelheid RIDGID draadsnijolie aan te brengen op het te snijden gebied. Daardoor wordt het draadsnijkoppel verlaagd, de schroefdraadkwaliteit verbeterd en de levensduur van het snijkussen verlengd.



**Figuur 14 – Pijp snijden**

14. Druk op de AAN/UIT-schakelaar tot het uiteinde van de pijp gelijk is met de rand van de snijkussens en laat de schakelaar los. Laat de aandrijfmachine volledig tot stilstand komen.



**Figuur 15 – Pijp gelijk met rand van snijkussens**

15. Beweeg de F/R-schuifschakelaar in de tegenovergestelde richting en bedien de AAN/UIT-schakelaar om de draadsnijkop van de gesneden pijp te verwijderen. Houd het handvat van de aandrijfmachine stevig vast om de krachten op het handvat te weerstaan die ontstaan wanneer de draadsnijkop wordt verwijderd.

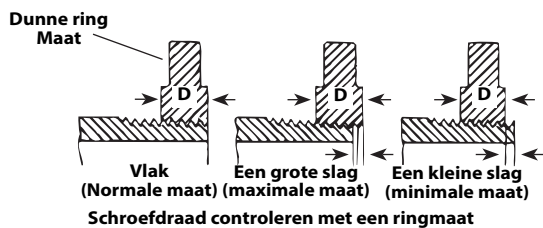
**OPGELET** Wijzig de stand van de F/R-schuifschakelaar alleen wanneer de AAN/UIT-schakelaar is losgelaten. Laat de aandrijfmachine volledig tot stilstand komen voordat de draairichting wordt omgedraaid met de F/R-schuifschakelaar. Dat vermindert het risico van schade aan de aandrijfmachine.

16. Laat de schakelaar los en verwijder de aandrijfmachine en de draadsnijkop van de pijp.
17. Met droge handen de stekker van de aandrijfmachine uit het stopcontact trekken.

18. Veeg olie en vuilresten van het schroefdraad en uit de draadsnijkop. Wees voorzichtig om snijwonden door scherpe vuilresten of randen te voorkomen. Verwijder eventuele gemorste olie op de werkplek.

### Schroefdraden inspecteren

1. Verwijder eventuele olie, schilfers of vuilresten uit de schroefdraad.
2. Controleer de schroefdraad visueel. Schroefdraden moeten glad en volledig zijn met een goede vorm. Als er problemen worden geconstateerd, zoals kapotte schroefdraad, dunne schroefdraad of een onronde pijp, sluit de schroefdraad wellicht niet af wanneer de verbinding wordt gemaakt. Raadpleeg het overzicht "Probleemwijzer" voor hulp bij het onderzoeken van deze problemen.
3. Inspecteer de maat van de schroefdraad. De schroefdraadmaat wordt bij voorkeur gemeten met een ringmaat. Er zijn verschillende soorten ringmaten en het gebruik kan afwijken van de toepassing die wordt getoond in *Figuur 16*.
  - Schroef de ringmaat handvast op het schroefdraad.
  - Kijk hoever het pijpuiteinde uit de ringmaat steekt. Het uiteinde van de pijp moet vlak aansluiten op de zijkant van de meter plus of min één slag. Als het meetresultaat niet correct is, snij de schroefdraad dan af, stel de draadsnijkop af en snij een andere schroefdraad. Wanneer een foutieve schroefdraad wordt gebruikt, kan dat lekkage veroorzaken.



**Figuur 16 – Schroefdraadmaat controleren**

- Wanneer er geen ringmaat beschikbaar is om de schroefdraad te inspecteren, kan een nieuwe, schone fitting worden gebruikt die representatief is voor de fittingen die voor dit werk worden gebruikt, en de schroefdraadmaat worden gemeten. Voor NPT schroefdraden van 2" en kleiner moeten de schroefdraden dusdanig worden gesneden dat een fitting 4 tot 5 slagen kan worden gedraaid tot hij handvast zit en 3 slagen voor BSPT schroefdraden van 2" en kleiner.

## Onderhoudsinstructies

### ⚠ WAARSCHUWING

**Vergewis u ervan dat de AAN/UIT-schakelaar is ontgrendeld en dat de stekker uit het stopcontact is getrokken voordat u onderhoudswerkzaamheden uitvoert of instellingen wijzigt.**

**Onderhoud de machine in overeenstemming met deze procedures om het risico van letsel door een elektrische schok, verstrikking of andere oorzaken te beperken.**

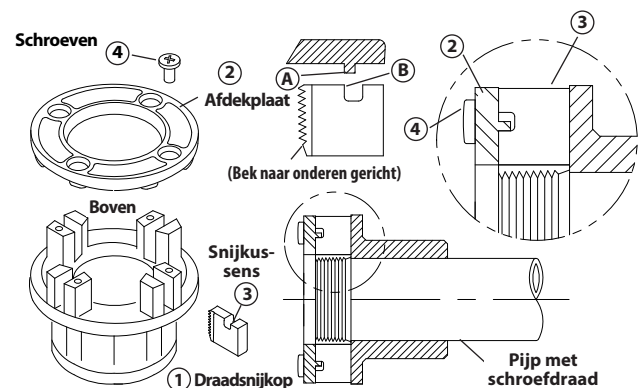
### Schoonmaken

1. Na elk gebruik de snijspanen uit de spanenbak van het RIDGID 418 koeloliesysteem verwijderen en eventuele olieresten verwijderen.
2. Veeg olie, vet, schilfers of vuil van de aandrijfmachine, waaronder handvatten en bedieningselementen. Reinig het bevestigingsmechanisme van de 690-I.
3. Veeg eventuele olie, vet of vuil van de steunarm. Indien nodig reinigt u de bekken van de steunarm met een staalborstel.
4. Verwijder schilfers en vuil van de draadsnijkoppen.

### Snijkkussens in 11-R draadsnijkoppen verwisselen

Er is een verscheidenheid aan snijkkussens beschikbaar voor inbouw in de RIDGID 11-R draadsnijkoppen. Zie de catalogus voor de beschikbaarheid.

1. Verwijder de vier schroeven ④ van de afdekking ② en verwijder de afdekplaat.
2. Verwijder de snijkkussens ③ van de draadsnijkop.
3. Breng nieuwe snijkkussens aan in de sleuven - genummerde zijde omhoog. De nummers op de snijkkussens moeten overeenkomen met de nummers in de draadsnijkop sleuven. Vervang snijkkussens altijd als set.

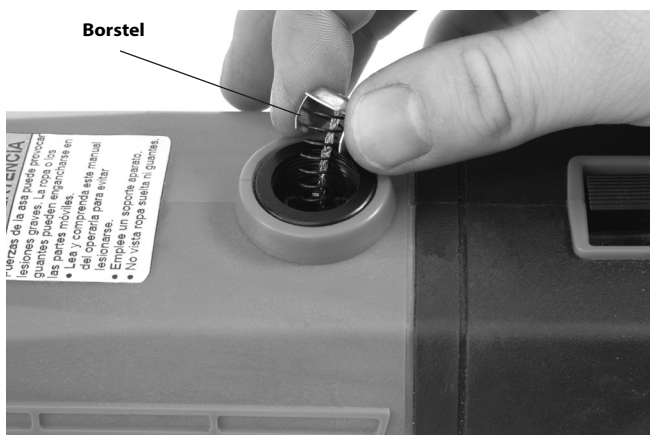


**Figuur 17 – Snijkkussens aanbrengen in de draadsnijkop**

- Plaats de afdekplaat terug en draai de vier schroeven lichtjes vast.
- Plaats de draadsnijkop op de reeds gesneden pijp tot de snijkussens beginnen te snijden. Daardoor worden de snijkussens ④ naar buiten gedrukt tegen de nokken ④ op de afdekplaat en de maat correct ingesteld.
- Draai de vier schroeven stevig vast. Verwijder de gesneden pijp en maak een proefsneede.

### Borstels in de motor vervangen

Controleer de motorborstels elke 6 maanden. Vervang ze wanneer ze tot minder dan 5/16" (8 mm) zijn afgesneden.



Figuur 18 – Borstels inbouwen

- Trek de stekker van de machine uit het stopcontact.
- Schroef de borstelkapjes er uit. (Figuren 1 en 2). Verwijder en inspecteer de borstels. Vervang ze wanneer ze tot minder dan 5/16" (8 mm) zijn afgesneden. Inspecteer de collector op slijtage. Bij uitgesproken slijtage moet de machine worden nagekeken door een vakman.
- Bouw de borstels weer in/monteer nieuwe borstels en zet de borstelkapjes stevig vast.
- Het beste kunt u het apparaat onbelast 15 minuten rechtsom laten draaien, gevolgd door 15 minuten linksom, zodat de borstels zich voor gebruik kunnen zetten op de collector.

### Accessoires

#### ⚠ WAARSCHUWING

**Om het risico van ernstige letsels te beperken, mag u enkel het toebehoren gebruiken die specifiek zijn ontworpen en aanbevolen voor gebruik met de aandrijfmachines 600-I en 690-I zoals degene die hieronder staan aangegeven. Ander toebehoren dat geschikt is voor gebruik met andere gereedschappen kan gevaarlijk zijn wanneer het met de aandrijfmachines 600-I en 690-I wordt gebruikt.**

### Toebehoren aandrijfmachine 600-I en 690-I

Catalogusnr.	Beschrijving
45923	602 steunarm
45928	692 steunarm
46668	600-I draagkoffer
46673	690-I draagkoffer
10883	418 koeloliesysteem met 1 gallon (3,8 liter) Nu-Clear-olie
16703	425 1/8" - 2 1/2" TRISTAND-bankschroef
36273	460-6 1/8" - 6" TRISTAND-bankschroef
45543	115V borstels
45588	230V borstels

Meer informatie over toebehoren dat speciaal bedoeld is voor dit apparaat vindt u in de RIDGID-catalogus en online op RIDGID.com

### Opbergen van de machine

**⚠ WAARSCHUWING** Aandrijfmachines moeten binnenshuis worden gebruikt of goed afgedekt in regenachtig weer. Berg de machine op in een afgesloten ruimte die ontoegankelijk is voor kinderen en mensen die niet vertrouwd zijn met de machines. Deze machines kunnen ernstig letsel veroorzaken in de handen van onervaren gebruikers.

### Onderhoud en reparatie

#### ⚠ WAARSCHUWING

**Gebrekkig onderhoud of een onjuiste herstelling kan de machine gevaarlijk maken om mee te werken.**

In het hoofdstuk "Onderhoudsinstructies" worden de meeste onderhoudsbehoeften van deze machine behandeld. Eventuele problemen die niet in dat hoofdstuk worden behandeld, mogen uitsluitend worden opgelost door een erkende RIDGID-onderhoudstechnicus.

Het gereedschap moet naar een zelfstandig servicecentrum van RIDGID worden gebracht of teruggestuurd naar de fabriek.

Voor informatie over het dichtstbijzijnde onafhankelijke servicecentrum van RIDGID of eventuele vragen over onderhoud of reparatie:

- Bij uw plaatselijke RIDGID-distributeur.
- Het gereedschap moet naar een erkend onafhankelijk servicecentrum van RIDGID worden gebracht of teruggestuurd naar de fabriek. Gebruik alleen RIDGID-reserveonderdelen.
- Voor informatie over het dichtstbijzijnde erkende onafhankelijke RIDGID-servicecenter of eventuele vragen over onderhoud of reparatie:

## Draadsnijolie

Voor informatie met betrekking tot gebruik en omgang met RIDGID®-draadsnijolie raadpleegt u de labels op de container en het materiaal-veiligheidsgegevensblad (MSDS). MSDS is beschikbaar op RIDGID.com of door contact op te nemen met Ridge Tool Technical Services Department op (800) 519-3456 in de VS en Canada of via [rttechservices@emerson.com](mailto:rttechservices@emerson.com).

## Afvalverwijdering

Bepaalde delen van de aandrijfmachines bevatten waardevolle materialen en kunnen worden gerecycled. Een bedrijf dat gespecialiseerd is in recyclage vindt u ongetwijfeld ook bij u in de buurt. Verwijder de onderdelen in elk geval in overeenstemming met de geldende wet- en regelgeving. Neem contact op met de plaatselijke afvalverwijderingsinstantie voor nadere informatie.



**In EG-landen:** Bied elektrische apparatuur niet bij het huishoudelijk afval aan!

Conform de Europese Richtlijn 2012/19/EU betreffende afgedankte elektrische en elektronische apparatuur en de implementatie daarvan op landelijk niveau, moet elektrische apparatuur die niet meer bruikbaar is afzonderlijk worden ingezameld en op milieuvriendelijke wijze worden afgevoerd.

## Probleemwijzer

SYMPTOOM	MOGELIJKE REDENEN	OPLOSSING
<b>Machine draait niet.</b>	Borstels raken de collector niet.	Controleer borstels en vervang ze indien versleten.
<b>Machine kan geen schroefdraad snijden.</b>	<p>Snijkussens zijn bot.</p> <p>Overbelasting als gevolg van kapot of on rond schroefdraad.</p> <p>Slechte kwaliteit of onvoldoende draadsnijolie.</p> <p>Onvoldoende spanning op het lichtnet.</p>	<p>Vervang snijkussens.</p> <p>Zie mogelijke redenen hieronder.</p> <p>Gebruik een voldoende hoeveelheid RIDGID® draadsnijolie.</p> <p>Controleer de elektrische spanning.</p>
<b>Vonkvorming bij de collector.</b>	<p>Onvoldoende contact tussen borstels en collector.</p> <p>Borstels maken geen goed contact met de collector.</p> <p>Borstels van een andere fabrikant.</p> <p>Nieuwe borstels.</p>	<p>Draai de borstelkapjes stevig vast zodat de borstels stevig op de collector worden gedrukt.</p> <p>Vervang versleten borstels en/of anker.</p> <p>Gebruik uitsluitend RIDGID®-borstels.</p> <p>Laat de borstels zich zetten door het apparaat onbelast 15 minuten rechtsom en linksom te laten draaien.</p>
<b>Draadsnijkop start niet met draadsnijden.</b>	<p>Draadsnijkop staat niet recht op het uiteinde van de pijp.</p> <p>Aangrijpkracht niet correct uitgeoefend op de draadsnijkop.</p> <p>Pijpuiteinde niet recht afgesneden.</p> <p>Botte of kapotte snijkussens.</p> <p>Machine draait in de verkeerde richting.</p> <p>Snijkussens zijn verkeerd in de draadsnijkop aangebracht.</p>	<p>Duw tegen de kopafdekplaat om het draadsnijden te starten.</p> <p>Oefen aangrijpkracht uit via de middellijn van de pijp.</p> <p>Snij het pijpuiteinde recht af.</p> <p>Vervang de snijkussens.</p> <p>Controleer de positie van de F/R-schuifschakelaar.</p> <p>Zorg ervoor dat de snijkussens tegen de nokken van de afdekplaat zijn gedrukt.</p>
<b>Kapotte schroefdraad.</b>	<p>Beschadigde, afgeschilferde of versleten snijkussens.</p> <p>Verkeerde of onvoldoende draadsnijolie.</p> <p>Verkeerd type snijkussen voor het materiaal.</p> <p>Slechte pijpmateriaal/-kwaliteit.</p>	<p>Vervang de snijkussens.</p> <p>Gebruik uitsluitend een voldoende hoeveelheid RIDGID® draadsnijolie.</p> <p>Selecteer sneldraaistalen RVS- of gelegeerde snijkussens die geschikt zijn voor de toepassing.</p> <p>Gebruik pijp van een hogere kwaliteit.</p>
<b>On rond of geplet schroefdraad.</b>	Pijpwand is te dun.	Gebruik wanddikten volgens schema 40 of dikker.
<b>Steunapparaat draait tijdens het draadsnijden.</b>	<p>Bekken van de steunarm zijn vuil.</p> <p>Steunarm niet correct uitgelijnd.</p> <p>Steunarm niet bevestigd.</p>	<p>Reinig met een staalborstel.</p> <p>Lijn de steunarm recht uit met de pijp.</p> <p>Draai de aanzetschroef vast.</p>
<b>Dunne schroefdraad.</b>	Snijkussens niet in de juiste volgorde geplaatst.	Plaats de snijkussens in de juiste snijkoppensleuf



# Filettrici elettriche portatili

## 600-I/690-I



### **⚠ AVVERTENZA!**

Leggere attentamente il Manuale di istruzioni prima di usare questo strumento. La mancata comprensione e osservanza delle istruzioni contenute in questo manuale può causare scosse elettriche, incendi e/o lesioni gravi.

#### Filettrici elettriche portatili 600-I/690-I

Annotare il Numero di serie in basso e conservare il numero di serie del prodotto che si trova sulla targhetta.

Serie  
N°

--	--

## Indice

<b>Modulo per la registrazione del numero di serie del prodotto</b> .....	79
<b>Simboli di sicurezza</b> .....	81
<b>Avvertenze di sicurezza generali dell'utensile elettrico</b> .....	81
Sicurezza nell'area di lavoro .....	81
Sicurezza elettrica .....	81
Sicurezza personale .....	82
Utilizzo e cura dell'utensile elettrico .....	82
Manutenzione .....	83
<b>Informazioni specifiche di sicurezza</b> .....	83
Sicurezza della filettatrice .....	83
<b>Descrizione, specifiche e apparecchiatura standard</b> .....	83
Descrizione .....	83
Apparecchiatura standard .....	84
Specifiche .....	85
<b>Ispezione prima dell'uso</b> .....	85
<b>Configurazione e funzionamento</b> .....	86
Installazione delle Teste portapettini .....	87
Resistenza alle forze di filettatura .....	89
Filettatura .....	90
Ispezione delle filettature .....	91
<b>Istruzioni di manutenzione</b> .....	91
Pulizia .....	91
Sostituzione dei Pettini nelle Teste portapettini 11-R .....	91
Sostituzione delle spazzole nel motore .....	92
<b>Accessori</b> .....	92
<b>Accessori per Filettrici 600-I e 690-I</b> .....	92
<b>Stoccaggio della filettatrice</b> .....	92
<b>Assistenza e riparazione</b> .....	93
<b>Olio per filettare</b> .....	93
<b>Smaltimento</b> .....	93
<b>Risoluzione dei problemi</b> .....	94
<b>Dichiarazione di conformità CE</b> .....	Coperchio posteriore interno
<b>Garanzia a vita</b> .....	Copertina posteriore

\* Traduzione delle istruzioni originali

## Simboli di sicurezza

In questo manuale dell'operatore e sul prodotto, i simboli di sicurezza e le parole di segnaletica vengono usate per comunicare importanti informazioni di sicurezza. Questa sezione viene fornita per migliorare la comprensione di queste parole di segnaletica e dei simboli.



Questo è un simbolo di avviso di sicurezza. Viene utilizzato per avvertire l'utente di potenziali pericoli di lesioni personali. Rispettare tutti i messaggi che presentano questo simbolo per evitare possibili lesioni anche letali.

### ▲ PERICOLO

PERICOLO indica una situazione pericolosa che, se non evitata, provoca la morte o gravi lesioni.

### ▲ AVVERTENZA

AVVERTENZA indica una situazione pericolosa che, se non evitata, può provocare la morte o gravi lesioni.

### ▲ PRECAUZIONE

PRECAUZIONE indica una situazione pericolosa che, se non evitata, può causare lesioni lievi o moderate.

### AVVISO

AVVISO indica informazioni relative alla protezione della proprietà.



Questo simbolo significa che occorre leggere il manuale attentamente prima di usare lo strumento. Il manuale contiene informazioni importanti sull'uso sicuro e appropriato dell'attrezzatura.



Questo simbolo significa che occorre indossare sempre gli occhiali di protezione con schermi laterali o una maschera quando si usa l'apparecchio per ridurre il rischio di lesioni agli occhi.



Questo simbolo indica il rischio che dita, mani, indumenti e altri oggetti si impiglino tra o negli ingranaggi o altre parti rotanti e provochino lesioni da schiacciamento.



Questo simbolo indica il rischio di scosse elettriche.



Questo simbolo indica il rischio di ribaltamento della filettrice, con conseguente contusione o schiacciamento.



Questo simbolo indica che non è opportuno indossare i guanti durante l'azionamento di questa filettrice per ridurre il rischio di impigliamento.



Questo simbolo indica l'utilizzo di un dispositivo di supporto per resistere alle forze di filettatura, migliorare il controllo e ridurre il rischio di contusione, schiacciamento e/o altre lesioni.

## Avvertenze di sicurezza generali dell'utensile elettrico\*

### ▲ AVVERTENZA

**Leggere tutte le avvertenze di sicurezza, le istruzioni, le illustrazioni e le specifiche fornite con questo utensile elettrico. La mancata osservanza delle istruzioni può causare folgorazione, incendi e/o lesioni gravi.**

**CONSERVARE TUTTE LE AVVERTENZE E LE ISTRUZIONI PER UNA SUCCESSIVA CONSULTAZIONE!**

Il termine "utensile elettrico" nelle avvertenze si riferisce all'utensile alimentato a corrente (mediante un cavo) o a batteria (senza cavo).

## Sicurezza nell'area di lavoro

- **Mantenere l'area di lavoro pulita e ben illuminata.** Aree disordinate o al buio favoriscono gli incidenti.
- **Non utilizzare utensili elettrici in ambienti esplosivi, in presenza di liquidi, gas o polveri infiammabili.** Gli utensili elettrici producono scintille che possono incendiare la polvere o i fumi.
- **Mantenere i bambini e gli estranei lontani quando si utilizza l'utensile elettrico.** Qualunque distrazione può farne perdere il controllo.

## Sicurezza elettrica

- **Le spine degli utensili elettrici devono coincidere con le prese. Non modificare la spina in alcun modo. Non usare adattatori con utensili elettrici collegati a terra.** L'uso di spine integre nelle prese adatte riduce il rischio di folgorazione.

\* Il testo usato nella sezione Avvertenze di sicurezza generali dell'utensile elettrico di questo manuale è riportato letteralmente, come richiesto, ai sensi dello standard UL/CSA 62841 applicabile. Questa sezione contiene le procedure generali di sicurezza per molti tipi differenti di utensili elettrici. Non tutte le precauzioni si applicano a ogni utensile e alcune non si applicano a questo utensile.

- **Evitare il contatto del corpo con superfici con messa a terra o collegate a massa come tubature, radiatori, fornelli e frigoriferi.** Il rischio di folgorazione è maggiore se il corpo è collegato a terra o alla massa.
- **Non esporre l'utensile elettrico alla pioggia o all'umidità.** Se penetra dell'acqua in un utensile elettrico, aumenta il rischio di folgorazione.
- **Fare buon uso del cavo. Non usare mai il cavo per trasportare l'utensile, per tirarlo o per staccare la spina. Mantenere il cavo al riparo dal calore, dall'olio, dagli spigoli e da parti in movimento.** I cavi danneggiati o aggrovigliati aumentano il rischio di folgorazione.
- **Nell'uso di un utensile elettrico all'aperto, utilizzare una prolunga adatta per l'uso all'aperto.** L'uso di prolunga per esterni riduce il rischio di folgorazione.
- **Se non si può evitare di usare un utensile elettrico in un ambiente umido, usare una presa protetta da un interruttore differenziale (GFCI).** L'uso di un interruttore differenziale (GFCI) riduce il rischio di scossa elettrica.

## Sicurezza personale

- **Non distraetevi, fate attenzione e lavorate con l'utensile elettrico usando il buon senso. Non usare l'utensile in caso di stanchezza o sotto l'effetto di droghe, alcool o farmaci.** Un momento di distrazione mentre si usano utensili elettrici può causare gravi lesioni personali.
- **Usare i dispositivi di sicurezza personale. Indossare sempre occhiali protettivi.** I dispositivi di sicurezza individuale, come una mascherina per la polvere, calzature antinfortunistiche con suola antiscivolo, casco protettivo e cuffie antirumore, usati secondo le condizioni appropriate, riducono il rischio di lesioni.
- **Evitare accensioni accidentali. Assicurarsi che l'interruttore sia in posizione «off» prima di collegare l'utensile alla presa e/o alla batteria, di sollevarlo o di trasportarlo.** Trasportare utensili elettrici con il dito sull'interruttore o collegare alla corrente utensili con l'interruttore su ON favorisce gli incidenti.
- **Rimuovere tutti gli accessori di regolazione prima di accendere l'utensile.** Un accessorio lasciato in una parte mobile dell'utensile può causare lesioni personali.
- **Non «strafare». Mantenere stabilità ed equilibrio in ogni momento.** Questo permette di tenere meglio sotto controllo l'utensile in situazioni inaspettate.
- **Indossare vestiti adatti. Non indossare indumenti ampi o gioielli. Mantenere i capelli, gli indumenti e i guanti lontano dalle parti mobili.** Gli indumenti ampi, i gioielli o i capelli lunghi possono impigliarsi nelle parti in movimento.
- **Se gli apparecchi sono dotati di connessione per dispositivi di estrazione o di raccolta della polvere, controllare che siano collegati e utilizzati correttamente.** L'uso di dispositivi per la raccolta della polvere può ridurre i pericoli derivanti dalla polvere.
- **Non permettere che la familiarità acquisita a seguito di utilizzi frequenti degli attrezzi porti ad eccessiva sicurezza e ad ignorare i principi di sicurezza dell'attrezzo.** Un'azione avventata può causare lesioni gravi in una frazione di secondo.

## Utilizzo e cura dell'utensile elettrico

- **Non forzare l'utensile elettrico. Usare l'utensile elettrico adatto al lavoro da svolgere.** L'utensile elettrico adatto svolgerà il lavoro in modo migliore e con maggiore sicurezza nelle applicazioni per le quali è stato progettato.
- **Non usare l'utensile elettrico se l'interruttore non lo accende o spegne.** Un utensile elettrico che non può essere acceso o spento è pericoloso e dev'essere riparato.
- **Scollegare la spina dalla presa di corrente e/o rimuovere la batteria, se rimovibile, dall'attrezzo elettrico prima di regolarlo, di sostituire accessori o di riporlo.** Tali misure di sicurezza preventive riducono il rischio di accendere l'utensile elettrico accidentalmente.
- **Conservare gli utensili elettrici inutilizzati fuori dalla portata dei bambini e non permettere a persone che non hanno familiarità con l'utensile elettrico o con queste istruzioni per l'uso di utilizzarlo.** Gli utensili elettrici sono pericolosi nelle mani di utenti inesperti.
- **Effettuare la manutenzione degli utensili elettrici e degli accessori. Controllare che le parti mobili non siano disallineate o bloccate, che non ci siano parti rotte o altre condizioni che possono compromettere il funzionamento dell'utensile elettrico.** Se danneggiati, fare riparare gli utensili elettrici prima del loro uso. Molti incidenti sono causati da utensili elettrici trascurati.
- **Mantenere gli utensili da taglio affilati e puliti.** Gli utensili da taglio sottoposti a regolare manutenzione e ben affilati si incepano di meno e sono più facili da manovrare.
- **Usare l'utensile elettrico, gli accessori e le punte, ecc. attenendosi a queste istruzioni, tenendo presenti le condizioni di utilizzo e il lavoro da svolgere.** Usare l'utensile elettrico per operazioni diverse da quelle a cui è destinato può dare luogo a situazioni pericolose.
- **Assicurarsi che le maniglie e le superfici di presa siano asciutte, pulite e prive di olio e grasso.** Le maniglie e le superfici di presa scivolose non consentono il maneggio e controllo sicuro dell'utensile in situazioni impreviste.

## Manutenzione

- Fare eseguire la revisione dell' utensile elettrico da una persona qualificata che usi soltanto parti di ricambio originali. Questo garantisce la sicurezza dell' utensile elettrico.

## Informazioni specifiche di sicurezza

### ⚠ AVVERTENZA

Questa sezione contiene importanti informazioni di sicurezza specifiche per l' utensile.

Leggere attentamente le precauzioni prima di utilizzare le filettrici, al fine di ridurre il rischio di scosse elettriche o gravi lesioni.

### CONSERVARE IL PRESENTE MANUALE DI ISTRUZIONI!

Conservare il presente manuale con l'apparecchiatura per consentirne la consultazione all'operatore.

## Sicurezza della filettrice

- **Utilizzare sempre il dispositivo di supporto fornito con l'utensile.** La perdita di controllo durante il funzionamento può causare lesioni personali.
- **Tenere maniche e giacche allacciate quando si mette in funzione l'utensile. Non sporgersi sull'utensile o sul tubo.** Gli indumenti possono essere afferrati dal tubo o dall'utensile e rimanere impigliati.
- **Solo una persona deve controllare il processo di lavoro e il funzionamento dell'utensile.** Il coinvolgimento di altre persone nel processo potrebbe comportare un funzionamento non previsto e lesioni personali.
- **Mantenere i pavimenti asciutti e liberi da materiali scivolosi come l'olio.** I pavimenti scivolosi favoriscono gli incidenti.
- **Non indossare guanti quando l'utensile è in funzione. Non sporgersi sull'utensile o sul tubo.** I guanti possono essere afferrati dal tubo o dall'utensile e rimanere impigliati.
- **Afferrare sempre ben saldamente il motore quando si effettua la filettatura o si rimuove la testa portapettini dal tubo per resistere alle forze di filettatura, a prescindere dall'utilizzo della staffa di supporto.** Questa procedura ridurrà il rischio di contusione, schiacciamento e altre lesioni.

- **Seguire le istruzioni sul corretto uso di questa macchina. Non usare l'utensile per altre finalità, come per trapanare i fori o girare gli argani.** Usi impropri o modifiche di questa macchina per altre applicazioni possono aumentare il rischio di gravi lesioni.
- **Non usare questa filettrice a motore se il pulsante ON/OFF (ACCESO/SPENTO) è rotto.** Questo interruttore è un dispositivo di sicurezza che consente di spegnere il motore rilasciando l'interruttore.
- **Non usare stampi smussati o danneggiati.** Gli attrezzi da taglio affilati richiedono meno coppia e la filettrice è più facile da controllare.
- **Assicurarsi che le impugnature siano asciutte, pulite e prive di olio e grasso.** Questo consente di controllare meglio l'attrezzo.
- **Utilizzare soltanto le teste portapettini RIDGID con le Filettrici a motore RIDGID;** altre teste portapettini potrebbero non adattarsi correttamente al motore e aumentare il rischio di danni all'apparecchiatura e di lesioni personali.

Per qualsiasi domanda su questo prodotto RIDGID®, vedere in basso:

- Contattare il proprio distributore RIDGID.
- Visitare il sito web RIDGID.com per trovare il punto di contatto RIDGID locale.
- Contattare il Reparto Assistenza Tecnica di Ridge Tool inviando un'e-mail all'indirizzo [rtctechservices@emerson.com](mailto:rtctechservices@emerson.com) oppure, negli Stati Uniti e in Canada, chiamare il numero 800-519-3456.

## Descrizione, specifiche e apparecchiatura standard

### Descrizione

Le Filettrici modello 600-I e 690-I RIDGID® sono a doppio isolamento e forniscono la forza necessaria per la filettatura di tubi e condotti. La rotazione in avanti e indietro può essere selezionata tramite l'interruttore scorrevole ON/OFF che viene controllato dall'interruttore di contatto momentaneo bifase.

La Filettrice 600-I è stata progettata per l'utilizzo con le Teste portapettini 11-R RIDGID (per tubi da 1/8" a 1 1/4"). La Filettrice 690-I è stata progettata per l'utilizzo con le Teste portapettini 11-R RIDGID (per tubi da 1/8" a 2"). È necessario usare un adattatore con Filettrice 690-I con teste portapettini da 1/8" a 1 1/4". L'adattatore e le teste portapettini da 1 1/2" a 2" vengono trattenuti dalla Filettrice 690-I usando un Meccanismo di bloccaggio.



Figura 1 – Filettrice modello 600-I



Figura 2 – Filettrice modello 690-I



Figura 3 – Staffe di supporto 602/692

La targhetta con il numero di serie delle Filettrici 690-I e 600-I si trova sul fondo del corpo motore. Le ultime 4 cifre del numero di serie indicano il mese e l'anno di fabbricazione (MMAA).

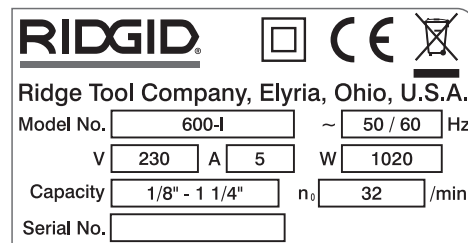


Figura 4 – Numero di serie della filettrice

### Apparecchiatura standard

Le Filettrici modelli 600-I/690-I hanno la seguente dotazione:

- Filettrice
- Adattatore 690-I (solo 690-I)
- Manuale di istruzioni

**AVVISO** La selezione dei materiali appropriati, dell'installazione e dei metodi di accoppiamento e di formatura è responsabilità del progettista e/o dell'installatore dell'impianto. La selezione di metodi e materiali impropri potrebbe causare il guasto del sistema.

L'acciaio inossidabile e gli altri materiali resistenti alla corrosione possono essere contaminati durante l'installazione, l'accoppiamento e la curvatura. Questa contaminazione può causare corrosione e rottura prematura dei tubi. Prima di accingersi a qualsiasi installazione deve essere completata un'attenta valutazione di materiali e metodi per le condizioni di servizio specifiche, compresi quelli chimici e della temperatura.

## Specifiche

Parametro	Filettrice 600-I	Filettrice 690-I
Capacità di filettatura dei tubi	da 1/8 a 1 1/4 pollici (da 3 a 32 mm)	da 1/8 a 2 pollici (da 3 a 50 mm)
Bloccaggio della Testa portapettini	Anello a molla	Meccanismo di bloccaggio (1 1/2 – 2 pollici) Anello a molla (1/8 – 1 1/4 pollici)
Filettature sinistre	Sì	Sì
Staffa di supporto	Mod. 602 601	Mod. 692 691
Adattatore	Non necessario.	Usato con Teste portapettini da 1/8" a 1 1/4".
Tipo di motore	Motore universale, Monofase	Motore universale, Monofase
Watt	1270 (120 V), 1020 (220-240 V)	1270 (120 V), 1020 (220-240 V)
Tensione/Fase disponibile	120 V/1 PH, 220-240 V/1 PH	120 V/1 PH, 220-240 V/1 PH
Amp	12A (120 V), 5A (220-240 V)	12A (120 V), 5A (220-240 V)
Velocità operativa (giri al minuto)	36 (120 V), 32 (220-240 V)	36 (120 V), 32 (220-240 V)
Comandi	Interruttore scorrevole Avanti/Indietro Interruttore principale bifase ON/OFF	Interruttore scorrevole Avanti/Indietro Interruttore principale bifase ON/OFF
Trasmissione	Lega in alluminio permanentemente lubrificata	Lega in alluminio permanentemente lubrificata
Lunghezza	20 pollici (508 mm)	24,13 pollici (613 mm)
Larghezza	3,75 pollici (95 mm)	4,75 pollici (121 mm)
Altezza	7,5 pollici (191 mm)	8 pollici (203 mm)
Peso	12,65 libbre (5,7 kg)	21,15 libbre (9,6 kg)
Pressione sonora (L <sub>PA</sub> )*	83 dB(A), K=3	83 dB(A), K=3
Pressione sonora (L <sub>WA</sub> )*	94 dB(A), K=3	94 dB(A), K=3
Vibrazione*	< 2,5 m/s <sup>2</sup> , K=1,5	< 2,5 m/s <sup>2</sup> , K=1,5

\* Le misurazioni della Vibrazione e del Suono nella presente dichiarazione sono state effettuate in conformità con un test standardizzato conforme allo Standard IEC62841-1.

- I livelli di vibrazione possono essere utilizzati per il confronto con altri attrezzi e per la valutazione preliminare dell'esposizione.

- Le emissioni sonore e della vibrazione potrebbero variare in base all'ubicazione dell'utente e all'uso specifico di questi attrezzi.

- I livelli di esposizione quotidiana per il suono e la vibrazione devono essere valutati per ciascuna applicazione e devono essere prese opportune misure di sicurezza, se necessario. La valutazione dei livelli di esposizione deve prendere in considerazione il periodo di tempo in cui l'attrezzo è spento e non viene utilizzato. Questo calcolo potrebbe ridurre significativamente il livello di esposizione per l'intero periodo di lavoro.

## Ispezione prima dell'uso

### ⚠ AVVERTENZA

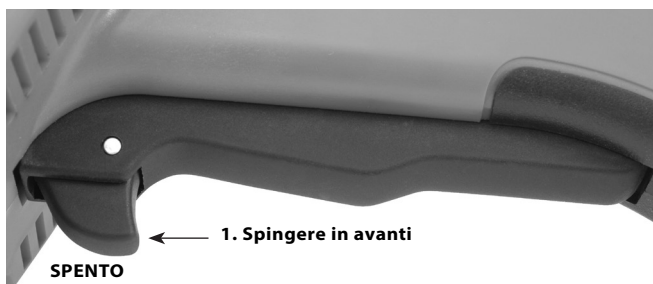


**Prima di ciascun uso, esaminare il motore e correggere gli eventuali problemi, per ridurre il rischio di gravi lesioni dovuto a scosse elettriche, lesioni da schiacciamento e altre cause, e per evitare danni al motore.**

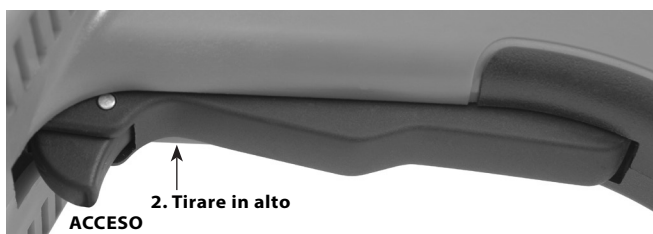
1. Accertarsi che il motore sia disconnesso.

2. Rimuovere l'olio, il grasso o lo sporco dal motore e dalla staffa di supporto, comprese le impugnature e i controlli. Questo facilita l'ispezione e impedisce che la filettrice o il comando scivolino dalle mani dell'operatore.
3. Ispezionare il motore e la staffa di supporto per verificare:
  - Danni o modifiche al cavo e alla spina.
  - Montaggio adeguato e accurato.
  - Parti danneggiate, male allineate o bloccate.
  - Funzionamento corretto dell'interruttore principale ON/OFF bifase (Figura 5).
  - La dentatura delle morse di serraggio della staffa di supporto puliti e in buone condizioni. La dentatura può essere pulita con una spazzola metallica.
  - Presenza e leggibilità delle etichette di avvertimento.
  - Qualsiasi altra condizione tale da impedire il funzionamento normale e sicuro.

In caso di problemi, non utilizzare il motore finché tali problemi non siano stati risolti.



**Figura 5A – Interruttore principale ON/OFF bifase**

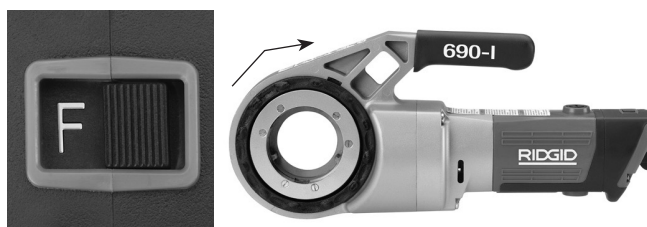


**Figura 5B – Interruttore principale ON/OFF bifase**

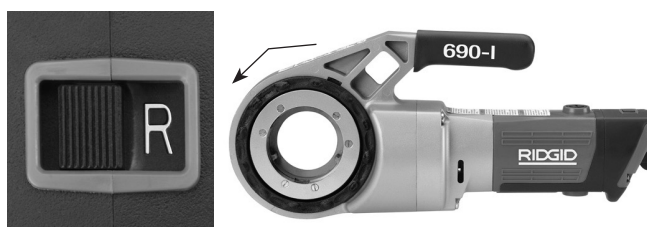
4. Esaminare i profili di filettatura dei pettini per accertarsi che non siano consumati, deformati, scheggiati o che presentino altri problemi. Utensili da taglio smussati o danneggiati aumentano la quantità di forza necessaria, producono tagli di scarsa qualità e aumentano il rischio di lesioni.
5. Esaminare e conservare le altre apparecchiature che si stanno utilizzando in base alle istruzioni, per garantire che funzionino correttamente.
6. Seguendo le istruzioni sulla Configurazione e il Funzionamento, controllare che il motore funzioni correttamente.
  - Spostare l'interruttore F/R (Forward/Reverse, Avanti/Indietro) sulla posizione F. Premere e rilasciare l'interruttore principale ON/OFF (Figura 5). Accertarsi che il motore ruoti in senso orario (Vedere la figura 6) e che si arresti quando si rilascia l'interruttore.
  - Ripetere il processo per il funzionamento INDIETRO (in senso antiorario). Se l'unità non ruota nel senso corretto o l'interruttore non controlla il funzionamento della filettatrice, non usare la filettatrice finché non viene riparata.

**AVVISO** Modificare la posizione dell'interruttore scorrevole F/R soltanto quando viene rilasciato il grilletto dell'interruttore ON/OFF. Lasciare che il motore si fermi completamente prima di invertire la direzione con l'interruttore scorrevole F/R. Questa procedura ridurrà il rischio di danni al motore.

- Premere e tenere premuto l'interruttore ON/OFF. Ispezionare le parti in movimento per individuare eventuali errori di allineamento, parti bloccate, rumori insoliti o altre condizioni anomale. Rilasciare l'interruttore ON/OFF. In caso di condizioni anomale, non usare l'apparecchiatura finché non viene riparata.



**Figura 6A – Posizione dell'interruttore F (AVANTI) (Senso orario)**



**Figura 6B – Posizione dell'interruttore R (INDIETRO) (Senso antiorario)**

7. Rilasciare l'interruttore ON/OFF e, con le mani asciutte, disconnettere la filettatrice.

## Configurazione e funzionamento

### ⚠ AVVERTENZA



**segundo queste procedure per ridurre il rischio di lesioni da scosse elettriche, intrappolamento, contusione, schiacciamento e altre cause, e per evitare di danneggiare il motore.**

**Utilizzare un opportuno dispositivo di supporto, in conformità con queste istruzioni. I dispositivi di supporto migliorano il controllo e riducono il rischio di contusione, schiacciamento e/o altre lesioni.**



**Quando si utilizza un dispositivo di supporto diverso dalla staffa di supporto fornita in dotazione, il dispositivo di supporto deve reagire contro il carter o l'alloggiamento della ventola. I dispositivi di supporto a contatto con l'alloggiamento del motore o l'impugnatura potrebbero danneggiare queste parti o aumentare il rischio di lesione.**

**Afferrare sempre ben saldamente il motore quando si effettua la filettatura o si rimuove la testa portapettini dal tubo per resistere alle forze di impiego, a prescindere dall'utilizzo del dispositivo di supporto. Questa procedura ridurrà il rischio di contusione, schiacciamento e altre lesioni.**

**Non indossare guanti o vestiti ampi. Tenere maniche e giacche allacciate. Gli indumenti ampi possono impigliarsi nelle parti rotanti e causare lesioni.**

**Sostenere adeguatamente il tubo. Questa procedura ridurrà il rischio che il tubo cada e si ribalti, e che si verifichino gravi lesioni.**

**Non usare il motore se l'interruttore ON/OFF e l'interruttore scorrevole F/R non funzionano correttamente.**

**Una sola persona deve controllare sia il processo di scanalatura che l'interruttore ON/OFF. Una sola persona deve operare sulla filettatrice. In caso di intrappolamento, l'operatore deve controllare l'interruttore ON/OFF.**

1. Controllare l'area di lavoro per individuare:
  - Illuminazione adeguata
  - Liquidi, vapori o polveri infiammabili. Se presenti, non lavorare nell'area fino a quando non se ne identifichi ed elimini la fonte. I motori non sono a prova di esplosione e possono causare scintille.
  - Postazione libera, piana, stabile e asciutta per tutte le apparecchiature e l'operatore.
  - Buona ventilazione. Non usare a lungo in aree piccole e chiuse.
  - Presa elettrica correttamente messa a terra e con il corretto voltaggio. In caso di dubbio, far controllare la presa da un elettricista autorizzato.
  - Percorso sgombro fino alla presa elettrica che non presenti potenziali problemi per il cavo di alimentazione.

2. Esaminare il tubo da filettare e i relativi raccordi e confermare che la filettatrice scelta sia l'utensile giusto per il lavoro. *Vedere le Specifiche.* Utilizzare per filettare solo tubi dritti, non preventivamente curvati.

Apparecchiature per altre applicazioni sono reperibili nel catalogo RIDGID, online sul sito web RIDGID.com oppure chiamando l'Assistenza tecnica di Ridge Tool negli Stati Uniti e in Canada al numero +1-800-519-3456.

3. Accertarsi che l'apparecchiatura da utilizzare sia stata ispezionata adeguatamente.
4. Preparare adeguatamente il tubo come necessario. Accertarsi che il taglio del tubo sia ad angolo retto e che il tubo sia stato sbavato. Il tubo tagliato non ad angolo retto può danneggiare i pettini durante la filettatura, o causare difficoltà nell'innesto della testa portapettini.

### Installazione delle Teste portapettini

5. Installazione della Testa portapettini da 1½" o 2" o dell'Adattatore nella 690-I:
  - a. Accertarsi che l'interruttore ON/OFF sia rilasciato e che la filettatrice sia disconnessa dalla presa elettrica.
  - b. Ruotare l'anello di trasmissione in senso antiorario per aprire il meccanismo di bloccaggio. Inserire completamente l'estremità della scanalatura della testa portapettini o dell'adattatore (se necessario) nella filettatrice (Figura 7).
  - c. Rilasciare l'anello di trasmissione ed accertarsi che la testa portapettini/adattatore siano fissati.
  - d. Invertire la procedura per rimuovere.



**Figura 7 – Meccanismo di bloccaggio, Anello di trasmissione nella Posizione aperta/chiusa**



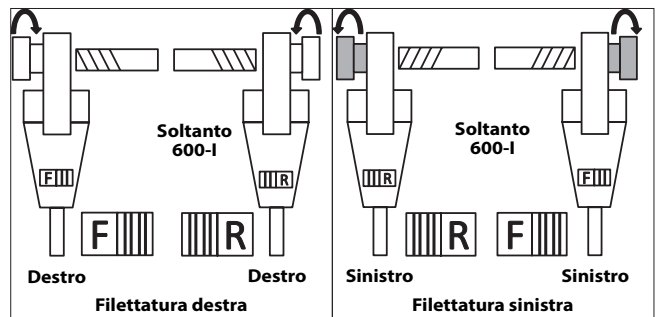
**Figura 8 – Installazione dell'Adattatore nel 690-I**

6. Installazione di Teste portapettini da 1¼" e più piccole:
  - a. Accertarsi che l'interruttore ON/OFF sia stato rilasciato e che la filettrice sia disconnessa dalla presa di alimentazione.
  - b. Se necessario, installare l'adattatore nel 690-I (Figura 8).
  - c. Inserire ad angolo retto l'estremità ottagonale della Testa portapettini nella filettrice, fino a fissarlo con l'anello di trasmissione. Sulla 600-I, la testa portapettini può essere inserita in ciascun lato della filettrice. Con il modello 690-I, le teste portapettini possono essere inserite soltanto dal lato dell'adattatore.
  - d. Per rimuovere, tirare la testa portapettini dalla filettrice. Se necessario, usare un martello in gomma morbida o un blocco di legno per far uscire la testa portapettini battendola delicatamente. Per evitare di danneggiare l'utensile, non colpire duramente la testa portapettini.



**Figura 9 – Installazione delle Teste portapettini nel Filettrice 600-I**

7. Posizionare l'Interruttore scorrevole F/R della filettrice per la filettatura destra o sinistra desiderata. Vedere la Figura 10.



**Figura 10 – Orientamento dell'Interruttore scorrevole/ della Testa portapettini**

8. Accertarsi che il tubo da filettare sia stabile e ben fissato, per evitare il ribaltamento durante l'uso. Usare opportuni supporti per il tubo a sostegno dell'intera lunghezza del tubo.
9. Controllare il livello dell'Olio da taglio per filettatura RIDGID nell'oliatore RIDGID 418. Rimuovere il raccogli-trucoli e verificare che la protezione del filtro sia pulita e interamente immerso nell'olio. Se necessario, sostituire o aggiungere olio. Collocare il secchio dell'Oliatore 418 sotto l'estremità del tubo da filettare.

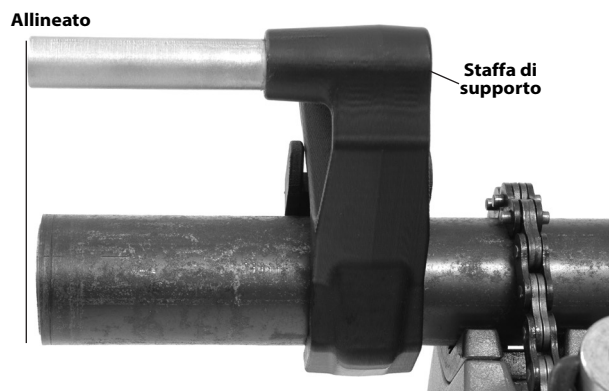
## Resistenza alle forze di filettatura

Utilizzo della staffa di supporto fornita:

- Usare sempre la staffa di supporto fornita (Staffa di supporto 601 o 602 per 600-I, staffa di supporto 691 o 692 per 690-I), a meno che la staffa di supporto non possa essere usata per mancanza di spazio o per altre limitazioni. La staffa di supporto si aggancia al tubo e facilita la resistenza alle forze di filettatura.
- Posizionare la staffa di supporto sul tubo in modo che l'estremità della stessa sia allineata con l'estremità del tubo e la parte superiore della staffa di supporto sia orizzontale. (Figura 11). Questa procedura consente di collocare correttamente la staffa di supporto per la filettatura e impedisce che l'olio di filettatura entri nel motore della filettrice. (Figura 12).
- Accertarsi che le ganasce della staffa di supporto siano allineate ad angolo retto con il tubo e fissare saldamente la staffa di supporto.



**Figura 11A – Posizionamento della Staffa di supporto**



**Figura 11B – Posizionamento della Staffa di supporto**



**Figura 12 – Posizionamento corretto della Filettrice**

Qualora la staffa di supporto non possa essere usata:

Quando si effettua la filettatura del tubo in opera o di applicazione simile, potrebbe non essere possibile usare la staffa di supporto a causa di mancanza di spazio.

- Se possibile, rimuovere il tubo e filettare in una morsa. Qualora tale staffa di supporto non possa essere usata, devono essere impiegati altri dispositivi di supporto per facilitare la resistenza alle forze di filettatura, come il posizionamento del carter o dell'alloggiamento della ventola contro un componente strutturale adiacente (ad esempio, apparecchiature, travi e travetti). Questa procedura richiede che il tubo e le aree circostanti siano in grado di sostenere il peso della filettrice e delle forze di filettatura. Potrebbe essere necessario aggiungere supporti per il tubo temporanei o permanenti o elementi strutturali.
- Per le filettature destre, la testa portapettini ruoterà in senso orario (guardando il lato anteriore della Testa portapettini). Le forze sviluppate dalla coppia di filettatura andranno nella direzione opposta o in senso antiorario. La rotazione e la forza saranno invertite per le filettature sinistre. Accertarsi che la staffa di supporto sia posizionata in modo da assorbire correttamente la forza di filettatura.
- Non collocare il motore della filettrice o l'impugnatura contro componenti strutturali adiacenti per la reazione alle forze di filettatura; una tale inaccortezza potrebbe causare danni al motore.
- Mantenere il motore contro il componente strutturale e non collocare le dita o le mani tra il motore e il componente strutturale. Quando si rimuove la testa portapettini dalla filettatura, afferrare sempre saldamente il motore per impedire alle forze di rompere le schegge di filettatura. Queste procedure ridurranno il rischio di contusione, schiacciamento e altre lesioni. Il pulsante ON/OFF (ACCESO/SPENTO) può essere rilasciato in qualsiasi momento per spegnere la filettrice a motore..

Afferrare sempre ben saldamente il motore quando si effettua la filettatura o si rimuove la testa portapettini dal tubo per resistere alle forze, a prescindere dall'utilizzo della staffa di supporto. Questa procedura ridurrà il rischio di contusione, schiacciamento e altre lesioni. Il pulsante ON/OFF (ACCESO/SPENTO) può essere rilasciato in qualsiasi momento per spegnere la filettatrice a motore.

## Filettatura

10. Con le mani asciutte, connettere la filettatrice alla corrente elettrica.
11. Posizionare la testa portapettini sull'estremità del tubo e supportare la filettatrice come indicato nella *Sezione sulla Resistenza alle forze di filettatura*.



**Figura 13 – Avvio della filettatura**

12. Attivare simultaneamente l'interruttore ON/OFF e premere contro la piastra del coperchio della Testa portapettini con il palmo della mano libero, per avviare la filettatura. Non indossare guanti, gioielli e non usare un panno mentre si preme sulla piastra del coperchio: tali inaccortezze aumentano il rischio di intrappolamento e lesione. Quando la testa è inserita sul tubo, le filettature inizieranno quando i pettini si tirano autonomamente sull'estremità del tubo.

Afferrare sempre saldamente l'impugnatura della filettatrice per resistere alle forze esercitate sull'impugnatura. I dispositivi di supporto possono scivolare e consentire il movimento della filettatrice. L'interruttore ON/OFF può essere rilasciato in qualsiasi momento per spegnere il motore.

13. Smettere di premere sulla piastra del coperchio e usare l'oliatore per applicare un'abbondante quantità di Olio da taglio per filettatura RIDGID sull'area da filettare. Questa procedura abbasserà la coppia di filettatura, migliorerà la qualità della filettatura e aumenterà la durata dei pettini.



**Figura 14 – Filettatura del tubo**

14. Premere l'interruttore ON/OFF fino a quando l'estremità del tubo sarà allineata al margine dei pettini e rilasciare l'interruttore. Lasciare che il motore si arresti completamente.



**Figura 15 – Tubo allineato rispetto al margine dei pettini**

15. Invertire l'interruttore scorrevole F/R e attivare l'interruttore ON/OFF per rimuovere la Testa portapettini dal tubo filettato. Trattenere saldamente l'impugnatura della filettatrice per resistere alle forze esercitate sull'impugnatura sviluppate durante l'estrazione della Testa portapettini.

**AVVISO** Cambiare la posizione dell'interruttore scorrevole F/R soltanto quando viene rilasciato l'interruttore ON/OFF. Lasciare che il motore si arresti completamente prima di invertire la direzione con l'interruttore scorrevole F/R. Questa procedura ridurrà il rischio di danni al motore della filettrice.

16. Rilasciare l'interruttore e rimuovere la filettatura e la Testa portapettini dal tubo.
17. Con le mani asciutte, disconnettere la filettrice dalla corrente elettrica.
18. Rimuovere l'olio e i trucioli di filettatura dalla testa portapettini, facendo attenzione a non tagliarsi con i trucioli o i margini affilati. Pulire le fuoriuscite di olio nell'area di lavoro.

### Ispezione delle filettature

1. Rimuovere tutto l'olio, le schegge o i trucioli di filettatura.
2. Ispezionare visivamente la filettatura. Le filettature devono essere lisce e complete, con una buona fattura. Se si riscontrano problemi con le filettature strappate, le filettature sottili o i tubi non rotondi, potrebbe non essere possibile sigillare a tenuta le filettature realizzate. Fare riferimento al diagramma "Risoluzione dei problemi" per facilitare l'individuazione di questi problemi.
3. Esaminare la dimensione della filettatura. Il metodo preferito di controllo delle dimensioni della filettatura è con un misuratore ad anello. Esistono vari tipi di misuratori ad anello, e il loro utilizzo potrebbe essere diverso da quello mostrato nella Figura 16.
  - Avvitare a mano saldamente il misuratore ad anello sulla filettatura.
  - Esaminare fino a che punto l'estremità del tubo si estende lungo il misuratore ad anello. L'estremità del tubo dovrebbe essere a filo con il lato del misuratore, più o meno un giro. Se non è possibile misurare la filettatura correttamente, tagliare la filettatura, regolare la testa portapettini e eseguire un'altra filettatura. L'utilizzo di una filettatura che non sia possibile verificare correttamente potrebbe causare perdite.

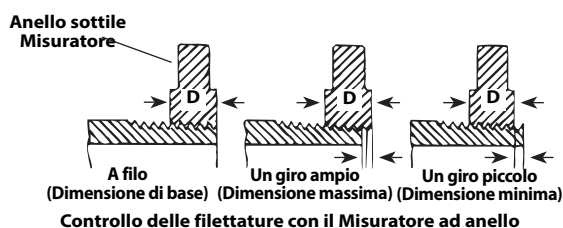


Figura 16 – Controllo della dimensione della filettatura

- Se non si dispone di un misuratore ad anello per verificare la dimensione della filettatura, è possibile usare un raccordo nuovo pulito simile a quelli usati durante il lavoro per misurare la dimensione della filettatura. Per filettature NPT di dimensioni 2" e inferiori, il raccordo deve essere stretto a mano sulla filettatura per 4-5 giri; invece, per le filettature BSPT di 2" e inferiori di 3 giri.

## Istruzioni di manutenzione

### ⚠ AVVERTENZA

**Assicurarsi che l'interruttore ON/OFF sia in posizione OFF e che l'utensile sia scollegato dalla corrente elettrica prima di eseguire qualsiasi operazione di manutenzione o di effettuare regolazioni.**

**Verificare l'utensile in conformità con queste procedure, per ridurre il rischio di lesioni dovute alle scosse elettriche, all'intrappolamento e ad altre cause.**

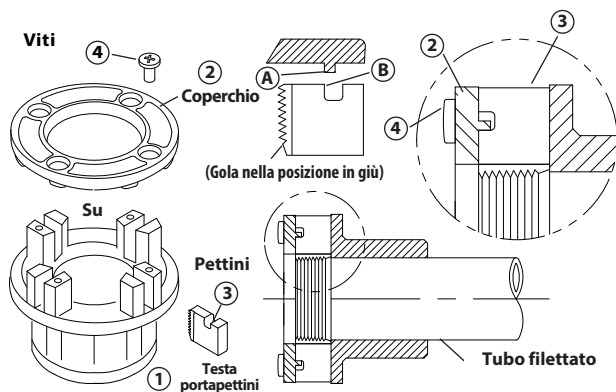
### Pulizia

1. Dopo ciascun uso, smaltire i trucioli della filettatura dal raccoglitrucioli dell'Oliatore 418 e rimuovere i residui di olio.
2. Pulire l'olio, il grasso, i trucioli o lo sporco dalla filettrice, comprese le impugnature e i comandi. Pulire il meccanismo di bloccaggio 690-I.
3. Rimuovere l'olio, il grasso o lo sporco dalla staffa di supporto. Se necessario, pulire le ganasce della staffa di supporto con una spazzola metallica.
4. Rimuovere i trucioli e lo sporco dalle teste portapettini.

### Sostituzione dei Pettini nelle Teste portapettini 11-R

Sono disponibili vari pettini per l'installazione sulle Teste portapettini 11-R RIDGID. Consultare il catalogo per la disponibilità.

1. Rimuovere le quattro viti (4) dal coperchio (2) e rimuovere la piastra del coperchio.
2. Rimuovere i vecchi pettini (3) dalla testa portapettini.
3. Inserire nuovi pettini nelle fessure – con il lato numerato verso l'alto. I numeri sui pettini devono corrispondere ai numeri sulle fessure della testa portapettini. Sostituire sempre i pettini in serie.



**Figura 17 – Installazione dei Pettini nella Testa portapettini**

4. Sostituire la piastra del coperchio e stringere delicatamente le quattro viti.
5. Inserire la bussola sul tubo o sul nipplo già filettato, finché i pettini non iniziano a filettare. Questa procedura forza l'arresto sui pettini (4) verso l'esterno contro i perni (4) della piastra del coperchio e imposta correttamente la dimensione.
6. Serrare le 4 viti saldamente. Rimuovere il tubo filettato ed effettuare una filettatura di prova.

**Sostituzione delle spazzole nel motore**

Controllare le spazzole del motore ogni 6 mesi. Sostituirle quando sono consumate fino a meno di 5/16" (8 mm).



**Figura 18 – Installazione della spazzola**

1. Staccare la filettatrice dalla fonte di alimentazione.
2. Svitare i cappucci delle spazzole (Figure 1 e 2). Rimuovere e ispezionare le spazzole. Sostituire quando sono consumate fino a meno di 5/16" (8 mm). Ispezionare il rotore per controllarne l'usura. Se è eccessivamente consumato, far revisionare la filettatrice.

3. Reinstallare le spazzole/installare nuove spazzole e stringere saldamente i cappucci delle spazzole.
4. È buona prassi attivare la filettatrice a vuoto per 15 minuti nella direzione in avanti, e quindi attivarla per 15 minuti nella direzione indietro, per far assestare le spazzole del rotore prima del normale utilizzo.

**Accessori**

**⚠ AVVERTENZA**

Per ridurre il rischio di gravi lesioni, usare esclusivamente accessori originali, progettati e raccomandati espressamente per l'uso con le Filettatrici RIDGID 600-I e 690-I, come quelli elencati di seguito. Altri Accessori idonei all'uso con altri utensili potrebbero essere pericolosi se usati con le Filettatrici 600-I e 690-I.

**Accessori per Filettatrici 600-I e 690-I**

N° di catalogo	Descrizione
45923	Staffa di supporto 602
45928	Staffa di supporto 692
46668	Cassetta di trasporto 600-I
46673	Cassetta di trasporto 690-I
10883	Oliatore 418 con Olio Nu-Clear da 1 gallone (3,8 litri)
16703	Morsa TRISTAND da 425 1/8" - 2 1/2"
36273	Morsa TRISTAND 460-6 1/8" - 6"
45543	Spazzole 115 V
45588	Spazzole 230 V

Informazioni ulteriori sugli accessori specifici per l'utensile sono reperibili sul catalogo RIDGID e online sul sito web RIDGID.com

**Stoccaggio della filettatrice**

**⚠ AVVERTENZA**

Le Filettatrici devono essere stoccate in ambienti interni o ben coperti in caso di pioggia. Stoccare la filettatrice in una zona chiusa a chiave, lontano dalla portata dei bambini e delle persone che non hanno familiarità con le filettatrici. Questo utensile può provocare lesioni molto gravi se adoperato da utenti inesperti.

## Assistenza e riparazione

### ⚠ AVVERTENZA

**Manutenzione o riparazioni inadeguate possono rendere non sicuro il funzionamento del dispositivo.**

Le "Istruzioni di manutenzione" coprono buona parte delle necessità di manutenzione di questa filettatrice. Gli eventuali problemi non coperti da questa sezione devono essere gestiti da un tecnico di un Centro di Assistenza RIDGID autorizzato.

Rivolgersi esclusivamente a un Centro di Assistenza Autorizzato RIDGID o al costruttore.

Per informazioni sul centro di assistenza autorizzato RIDGID più vicino o qualsiasi domanda su manutenzione o riparazione:

- Contattare il proprio distributore RIDGID.
- Rivolgersi esclusivamente a un centro di assistenza indipendente autorizzato RIDGID o al fabbricante. Usare soltanto parti di servizio RIDGID.
- Per informazioni sul centro di assistenza indipendente RIDGID più vicino o qualsiasi domanda su manutenzione o riparazione:

## Olio per filettare

Per informazioni riguardanti l'uso e il maneggio dell'Olio da taglio per filettatura RIDGID®, fare riferimento alle etichette sul contenitore e al Foglio dei dati di sicurezza (MSDS). L'MSDS è disponibile sul sito web RIDGID.com o contattando il Reparto Assistenza tecnica Ridge Tool al numero +1-800-519-3456 negli Stati Uniti e in Canada o sul sito web [rttechservices@emerson.com](mailto:rttechservices@emerson.com).

## Smaltimento

Le parti delle filettatrici contengono materiali di valore e possono essere riciclate. Nella propria zona potrebbero esservi aziende specializzate nel riciclaggio. Smaltire i componenti in conformità con tutte le normative in vigore. Contattare l'autorità locale di gestione dello smaltimento per maggiori informazioni.



**Per i Paesi CE:** Non smaltire l'apparecchiatura elettrica con i rifiuti domestici!

Secondo la Direttiva europea 2012/19/UE - Smaltimento di apparecchiature elettriche ed elettroniche - e la sua implementazione nella legislazione nazionale, le apparecchiature elettriche che non sono più utilizzabili

devono essere raccolte separatamente e smaltite in modo ecocompatibile.

## Risoluzione dei problemi

PROBLEMA	POSSIBILI CAUSE	SOLUZIONE
<b>La filettatrice non funziona.</b>	Le spazzole non toccano l'indotto/rotore.	Controllare le spazzole, sostituirle se consumate.
<b>La filettatrice non è in grado di filettare.</b>	Pettini consumati. Sovraccarico dovuto a filettature strappate o non rotonde. Olio da taglio per filettatura di scarsa qualità o insufficiente. Tensione della linea insufficiente.	Sostituire i pettini. Vedere di seguito le ragioni possibili.  Utilizzare Olio da taglio per filettatura RIDGID® in quantità adeguata. Controllare la tensione della fornitura di alimentazione.
<b>Si formano scintille nel rotore del motore.</b>	Contatto non sufficiente tra le spazzole e il rotore.  Le spazzole non toccano il rotore adeguatamente. Spazzole di fabbricazione diversa/non originali. Nuove spazzole.	Stringere i cappucci delle spazzole per accertarsi che le spazzole siano premute saldamente sul rotore. Sostituire le spazzole consumate e/o il rotore/indotto. Usare solo spazzole RIDGID®.  Posizionare le spazzole attivando l'unità a vuoto per 15 minuti in Avanti e Indietro.
<b>La testa portapettini non inizia a filettare.</b>	La testa portapettini non si inquadra con l'estremità del tubo.  Forza di innesto non propriamente applicata alla testa portapettini. Taglio dell'estremità del tubo non ad angolo retto. Pettini smussati o rotti. La filettatrice si attiva nella direzione sbagliata. Pettini impostati erroneamente nella testa portapettini.	Premere contro la piastra del coperchio della testa portapettini per iniziare la filettatura. Applicare la forza di innesto direttamente sulla linea centrale del tubo. Tagliare l'estremità del tubo ad angolo retto. Sostituire i pettini. Controllare la posizione dell'Interruttore scorrevole F/R. Accertarsi che le scanalature dei pettini siano rivolte verso l'esterno contro i perni della piastra del coperchio.
<b>Filettature strappate.</b>	Pettini danneggiati, scheggiati o consumati. Olio per filettare improprio o insufficiente. Tipo di pettine errato per il materiale.  Materiale/qualità del tubo scadente.	Sostituire i pettini.  Utilizzare solo Olio da taglio per filettatura RIDGID® in quantità adeguata. Selezionare pettini ad alta velocità, per acciaio inox o di lega, idonei per l'applicazione. Usare un tubo di qualità superiore.



## Risoluzione dei problemi

<b>Filettature non arrotondate o schiacciate.</b>	La parete del tubo è troppo sottile.	Usare la Schedule 40 o uno spessore della parete più spessa.
<b>La staffa di supporto gira durante la filettatura.</b>	Ganasce della staffa di supporto sporche. Braccio di supporto non allineato correttamente. Staffa di supporto non tesa.	Pulire con la spazzola metallica. Allineare la staffa di supporto in squadra con il tubo. Stringere la vite di serraggio.
<b>Filettature sottili.</b>	I pettini non sono collocati nell'ordine corretto.	Collocare i pettini nella giusta fessura della testa portapettini.



# Propulsores

## 600-I/690-I



### **⚠ AVISO!**

Leia o manual do operador cuidadosamente antes de utilizar esta ferramenta. A não compreensão e a inobservância do conteúdo deste manual pode resultar em choque eléctrico, fogo, e/ou lesões pessoais graves.

#### **Propulsores 600-I/690-I**

Registe o número de série abaixo e retenha o número de série do produto localizado na placa de nome.

N.º  
de Série

--	--

## Índice

<b>Formulário de Registo do Número de Série da Máquina</b> .....	97
<b>Símbolos de Segurança</b> .....	99
<b>Avisos de Segurança Gerais para Ferramentas Eléctricas</b> .....	99
Segurança da Área de Trabalho .....	99
Segurança Eléctrica .....	99
Segurança Pessoal .....	100
Utilização e Manutenção da Ferramenta Eléctrica .....	100
Assistência .....	101
<b>Informações Específicas de Segurança</b> .....	101
Segurança do Propulsor .....	101
<b>Descrição, Especificações e Equipamento Standard</b> .....	101
Descrição .....	101
Equipamento Standard .....	102
Especificações .....	103
<b>Inspecção antes da Colocação em Funcionamento</b> .....	103
<b>Configuração e Funcionamento</b> .....	104
Instalar Cabeças de Roscar .....	105
Resistência às Forças de Roscagem .....	106
Roscagem .....	107
Inspeccionar Roscas .....	108
<b>Instruções de Manutenção</b> .....	109
Limpeza .....	109
Substituir tarraxas nas Cabeças de roscar 11-R .....	109
Substituir Escovas no Motor .....	110
<b>Acessórios</b> .....	110
<b>Armazenamento da Máquina</b> .....	110
<b>Assistência e Reparação</b> .....	110
<b>Óleo de Roscar</b> .....	111
<b>Eliminação</b> .....	111
<b>Resolução de problemas</b> .....	112
<b>Declaração de Conformidade CE</b> .....	Contracapa interior
<b>Garantia vitalícia</b> .....	Cobertura traseira

\* Tradução do manual original

## Símbolos de Segurança

Neste manual do operador e no produto, utilizam-se símbolos de segurança e palavras de aviso para comunicar informações de segurança importantes. Esta secção é fornecida para melhorar compreensão destas palavras e símbolos de aviso.



Este é o símbolo de alerta de segurança. É utilizado para alertar quanto a potenciais perigos de ferimentos pessoais. Respeite todas as mensagens de segurança que se seguem a este símbolo para evitar possíveis ferimentos ou morte.

**⚠ PERIGO** PERIGO indica uma situação perigosa que, se não for evitada, resultará em morte ou ferimento grave.

**⚠ AVISO** AVISO indica uma situação perigosa que, se não for evitada, poderá resultar em morte ou ferimento grave.

**⚠ ATENÇÃO** ATENÇÃO indica uma situação perigosa que, se não for evitada, poderá resultar em ferimentos ligeiros a moderados.

**NOTA** NOTA indica informações relacionadas com a protecção de propriedade.



Este símbolo significa que deve ler o manual do operador cuidadosamente antes de utilizar o equipamento. O manual do operador contém informações importantes sobre o funcionamento seguro e adequado do equipamento.



Este símbolo significa que deve utilizar sempre óculos de protecção com protecções laterais ou viseiras de protecção ao manusear este equipamento, de forma a reduzir o risco de ferimentos oculares.



Este símbolo indica o risco de dedos, mãos, vestuário ou outros objectos ficarem presos entre as engrenagens ou noutras peças rotativas causando ferimentos por esmagamento.



Este símbolo indica o risco de choque eléctrico.



Este símbolo indica o risco da máquina tombar, causando ferimentos por pancada ou esmagamento.



Este símbolo significa que não deve usar luvas durante a utilização desta máquina para reduzir o risco de emaranhamento.



Este símbolo significa que deve ser utilizado um dispositivo de suporte para resistir às forças de roscagem, melhorar o controlo e reduzir o risco de embate, esmagamento e/ou outros ferimentos.

## Avisos de Segurança Gerais para Ferramentas Eléctricas\*

### ⚠ AVISO

**Leia todos os avisos de segurança, instruções, ilustrações e especificações fornecidos com esta ferramenta eléctrica. A não observância de todas as instruções abaixo indicadas pode resultar em choque eléctrico, incêndio e/ou lesões graves.**

### GUARDE TODOS OS AVISOS E INSTRUÇÕES PARA REFERÊNCIA FUTURA!

O termo "ferramenta eléctrica" nos avisos refere-se à sua ferramenta eléctrica com ligação à corrente eléctrica (com cabo) ou alimentada por bateria (sem cabo).

### Segurança da Área de Trabalho

- **Mantenha a sua área de trabalho limpa e bem iluminada.** Áreas desarrumadas ou mal iluminadas podem provocar acidentes.

- **Não opere ferramentas eléctricas em atmosferas explosivas, como na presença de líquidos inflamáveis, gases, ou poeiras.** As ferramentas eléctricas geram faíscas que podem inflamar a poeira ou gás.
- **Mantenha crianças e visitantes fora afastados enquanto utiliza uma ferramenta eléctrica.** As distrações podem fazê-lo perder o controlo.

### Segurança Eléctrica

- **As fichas das ferramentas eléctricas têm de corresponder adequadamente à tomada. Não modifique a ficha de modo algum. Não utilize adaptadores de ficha em ferramentas eléctricas com ligação à terra.** Fichas não modificadas e tomadas de parede apropriadas reduzem o risco de choque eléctrico.
- **Evite o contacto corporal com superfícies ligadas à terra, como tubos, radiadores, fogões e frigoríficos.** O risco de choque eléctrico aumenta se o seu corpo estiver ligado à terra.

\* O texto utilizado na secção de Avisos Gerais de Segurança com Ferramentas Eléctricas deste manual é literal, conforme exigido pela norma UL/CSA 62841 aplicável. Esta secção contém práticas de segurança gerais para muitos tipos diferentes de ferramentas eléctricas. Nem todas as precauções se aplicam a todas as ferramentas e algumas não se aplicam a esta ferramenta.

- **Não exponha as ferramentas eléctricas à chuva ou humidade.** O risco de choque eléctrico aumenta com a entrada de água na ferramenta eléctrica.
- **Não force o cabo eléctrico. Nunca use o cabo eléctrico para transportar, puxar ou desligar a ferramenta eléctrica da tomada. Proteja o cabo eléctrico do calor, óleo, arestas afiadas e peças móveis.** Cabos danificados ou emaranhados aumentam o risco de choque eléctrico.
- **Ao utilizar uma ferramenta eléctrica no exterior, use uma extensão adequada para exterior.** O uso de um cabo adequado para exterior reduz o risco de choque eléctrico.
- **Se for inevitável ter de utilizar uma ferramenta eléctrica num ambiente húmido, use um corta-circuito em caso de falha na terra (GFCI) protegido.** A utilização de GFCI reduz o risco de choque eléctrico.

## Segurança Pessoal

- **Mantenha-se alerta, atento ao que está a fazer e use o bom senso ao utilizar uma ferramenta eléctrica. Não utilize uma ferramenta eléctrica se estiver cansado ou sob a influência de drogas, álcool ou medicamentos.** Um momento de desatenção durante a utilização de ferramentas eléctricas pode resultar em ferimentos pessoais graves.
- **Use equipamento de protecção individual. Utilize sempre protecção para os olhos.** O equipamento de protecção, como máscaras para o pó, calçado de segurança antiderrapante, capacete ou protecção auricular, utilizado nas condições apropriadas, reduz a ocorrência de ferimentos pessoais.
- **Evite a colocação em funcionamento não intencional. Assegure-se de que o interruptor está na posição desligada (OFF) antes de ligar o aparelho à corrente e/ou à bateria, pegar na ferramenta ou transportá-la.** Transportar ferramentas eléctricas com o dedo no interruptor ou fornecer energia a ferramentas eléctricas com o interruptor ligado (ON) pode provocar acidentes.
- **Retire qualquer chave de ajuste ou aperto da ferramenta eléctrica antes de a ligar.** Uma chave de ajuste ou aperto deixada numa peça rotativa da ferramenta eléctrica pode resultar em ferimentos pessoais.
- **Não se debruce. Mantenha uma colocação de pés adequada e o equilíbrio em todos os momentos.** Isso permite um melhor controlo da ferramenta eléctrica em situações inesperadas.
- **Vista roupa adequada. Não utilize roupa larga ou jóias. Mantenha o cabelo, roupas e luvas fora do alcance das peças móveis.** As roupas largas, as jóias ou o cabelo comprido podem ficar presos nas peças móveis.
- **Se forem fornecidos dispositivos para a ligação de sistemas de extracção e recolha de pó, assegure-se de que estes estão ligados e são utilizados correctamente.** A utilização de um colector de poeiras pode reduzir os perigos relacionados com o pó.
- **Não deixe que a familiarização ganha com a utilização frequente de ferramentas deixe com que fique complacente e ignore os princípios de segurança.** Uma ação descuidada pode causar ferimentos graves numa fração de segundos.

## Utilização e Manutenção da Ferramenta Eléctrica

- **Não force a ferramenta eléctrica. Utilize a ferramenta eléctrica correcta para a sua aplicação.** A ferramenta eléctrica correcta fará sempre um trabalho melhor e mais seguro à velocidade para que foi desenhada.
- **Não utilize a ferramenta eléctrica se o interruptor não a ligar e desligar.** Uma ferramenta eléctrica que não possa ser controlada com o interruptor é perigosa e tem de ser reparada.
- **Desligue a ficha da alimentação eléctrica e/ou retire a bateria, se for amovível, da ferramenta eléctrica antes de fazer qualquer ajuste, mudar um acessório ou guardar as ferramentas eléctricas.** Estas medidas de prevenção reduzem o risco de ligar a ferramenta eléctrica acidentalmente.
- **Guarde as ferramentas eléctricas que não estejam em utilização fora do alcance das crianças e não permita que pessoas não familiarizadas com a ferramenta eléctrica ou as respectivas instruções utilizem a ferramenta eléctrica.** As ferramentas eléctricas são perigosas nas mãos de utilizadores sem formação profissional.
- **Mantenha as ferramentas eléctricas e os acessórios em bom estado. Verifique se as peças móveis funcionam perfeitamente e não emperram, bem como se há peças quebradas ou danificadas que possam influenciar o funcionamento da ferramenta. Se a ferramenta eléctrica estiver danificada, envie-a para reparação antes de a utilizar.** Muitos acidentes são causados por ferramentas eléctricas em mau estado de conservação.
- **Mantenha as ferramentas de corte afiadas e limpas.** Ferramentas de corte com manutenção adequada e bem afiadas têm menos probabilidades de prender e são mais fáceis de controlar.
- **Utilize a ferramenta eléctrica, os acessórios, as pontas e brocas etc. de acordo com estas instruções, tendo em conta as condições de trabalho e as operações a realizar.** A utilização da ferramenta eléctrica para fins não previstos pode resultar em situações perigosas.

- **Mantenha as pegas e as superfícies de pega secas, limpas e livres de óleo e gordura.** As pegas escorregadias e as superfícies de pega não permitem um manuseamento e controlo seguros de situações inesperadas com a ferramenta.

### Assistência

- **A sua ferramenta eléctrica deve ser reparada por um técnico qualificado, utilizando apenas peças sobresalentes idênticas.** Isto garante que a segurança da ferramenta eléctrica se mantém.

## Informações Específicas de Segurança

### ⚠ AVISO

**Esta secção contém informações de segurança importantes específicas para esta ferramenta.**

**Leia estas precauções cuidadosamente antes de utilizar os propulsores para reduzir o risco de choque eléctrico ou ferimentos pessoais graves.**

### GUARDE ESTAS INSTRUÇÕES!

Guarde este manual juntamente com a máquina, para utilização pelo operador.

### Segurança do Propulsor

- **Utilize sempre o dispositivo de suporte fornecido com a ferramenta.** A perda de controlo durante o funcionamento pode resultar em ferimentos pessoais.
- **Mantenha as mangas e os casacos abotoados durante a utilização da ferramenta. Não se debruce sobre a ferramenta ou o tubo.** A roupa pode ficar presa na ferramenta, resultando em emaranhamento.
- **Apenas uma pessoa deve controlar o processo de trabalho e o funcionamento da ferramenta.** Mais pessoas envolvidas no processo podem levar a um funcionamento imprevisto e ferimentos pessoais.
- **Mantenha os pisos secos e limpos de materiais escorregadios como óleo.** Pisos escorregadios podem causar acidentes.
- **Não use luvas enquanto trabalha com a ferramenta. Não se debruce sobre a ferramenta ou o tubo.** As luvas podem ficar presas no tubo ou na ferramenta, resultando em emaranhamento.
- **Segure sempre com firmeza o propulsor ao roscar ou retirar a tarraxa do tubo para resistir às forças de roscagem, independentemente do dispositivo de suporte utilizado.** Isto reduzirá o risco de pancada, esmagamento e outros ferimentos.

- **Siga as instruções relativas à utilização adequada desta máquina. Não utilizar para outros fins como fazer orifícios ou rodar guinchos.** Outras utilizações ou alterações desta máquina para outras aplicações podem aumentar o risco de ferimentos graves.
- **Não utilize este propulsor se o interruptor ON/OFF (ligar/desligar) não funcionar.** Este interruptor é um dispositivo de segurança que lhe permite desligar o motor ao libertar o interruptor.
- **Não utilize tarraxas usadas ou danificadas.** Ferramentas de corte afiadas necessitam de menos torção e o propulsor é mais fácil de controlar.
- **Mantenha as pegas secas e limpas; livres de óleo e gordura.** Tal permite um melhor controlo da ferramenta.
- **Utilize apenas cabeças de roscar RIDGID com Propulsores RIDGID.** Outras cabeças de roscar podem não encaixar corretamente no propulsor, aumentando o risco de danos no equipamento e ferimentos pessoais.

Se tiver alguma pergunta relativamente a este produto RIDGID®:

- Contacte o seu distribuidor local RIDGID.
- Visite [RIDGID.com](http://RIDGID.com) para encontrar o seu ponto de contacto RIDGID.
- Contacte o Departamento de Assistência Técnica da Ridge Tool pelo endereço de correio eletrónico [rtctechservices@emerson.com](mailto:rtctechservices@emerson.com), ou no caso dos E.U.A. e Canadá, ligue para (800) 519-3456.

## Descrição, Especificações e Equipamento Standard

### Descrição

Os Propulsores RIDGID® Modelo 600-I e 690-I são propulsores com isolamento duplo que fornecem a potência para roscar tubos e condutas. Pode seleccionar-se rotação de Avanço e Recuo com um interruptor deslizante, enquanto que a função LIGAR/DESLIGAR é controlada por um interruptor de contacto momentâneo de dois passos.

O Propulsor 600-I Power está concebido para utilizar Tarraxas de Caçonete RIDGID 11-R (tubo de 1/8" – 1/4"). O Propulsor 690-I Power está concebido para utilizar Tarraxas de Caçonete RIDGID 11-R (tubo de 1/8" – 2"). É necessário um adaptador para utilizar o Propulsor 690-I com os tamanhos 1/8" – 1/4". O adaptador e os tamanhos 1/2" – 2" fixam-se no Propulsor 690-I utilizando um Mecanismo de Retenção.



**Figura 1 – Propulsor Modelo 600-I**

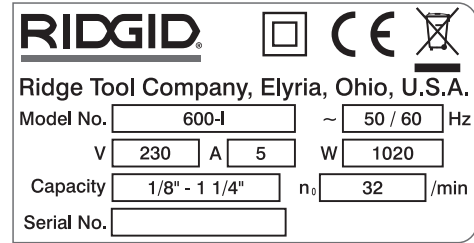


**Figura 2 – Propulsor Modelo 690-I**



**Figura 3 – Braços de suporte 602/692**

A placa do número de série de máquina do Propulsor 600-I e 690-I está localizada na parte inferior do alojamento do motor. Os últimos 4 dígitos do número de série indicam o mês e o ano do fabrico (MMAA).



**Figura 4 – Número de série da máquina**

### Equipamento Standard

Os Modelos de Propulsores 600-I/690-I trazem os seguintes itens:

- Propulsor
- Adaptador 690-I (apenas 690-I)
- Manual do operador

**NOTA** A selecção de materiais e de métodos de instalação, ligação e formação adequados são da responsabilidade do designer e/ou do instalador do sistema. A selecção de materiais e métodos inadequados pode provocar uma falha no sistema.

Aço inoxidável e outros materiais resistentes à corrosão podem ficar contaminados durante a instalação, ligação e formação. Esta contaminação pode provocar corrosão e uma falha prematura. Deve fazer-se uma avaliação cuidada dos materiais e métodos para as condições de serviço específicas, incluindo químicas e de temperatura, antes de qualquer tentativa de instalação.



## Especificações

Parâmetro	Propulsor 600-I	Propulsor 690-I
Capacidade de Roscagem de Tubos	1/8 a 1 1/4 polegadas (3 a 32 mm)	1/8 a 2 polegadas (3 a 50 mm)
Suporte da Cabeça de Roscar	Mola do Anel	Mecanismo de Retenção (1 1/2 – 2 polegadas) Mola do anel (1/8 – 1 1/4 polegadas)
Roscas à esquerda	Sim	Sim
Braço de Suporte	N.º 602, Não. 601	N.º 692, Não. 691
Adaptador	Não Necessário.	Utilizado com Cabeças de Roscar de 1/8" até 1 1/4".
Tipo de Motor	Motor Universal, Monofásico	Motor Universal, Monofásico
Watts	1270 (120 V), 1020 (220-240 V)	1270 (120 V), 1020 (220-240 V)
Tensão/Fase Disponível	120 V/1 PH, 220-240 V/1 PH	120 V/1 PH, 220-240 V/1 PH
Amps	12 A (120 V), 5 A (220-240 V)	12 A (120 V), 5 A (220-240 V)
Velocidade de Funcionamento (RPM)	36 (120 V), 32 (220-240 V)	36 (120 V), 32 (220-240 V)
Controlos	Interruptor Deslizante Forward/Reverse (Avançar/Sentido inverso) Interruptor de contacto momentâneo de dois passos ON/OFF	Interruptor Deslizante Forward/Reverse (Avançar/Sentido inverso) Interruptor de contacto momentâneo de dois passos ON/OFF
Cabeça motriz	Tarraxa de alumínio fundido permanentemente lubrificada	Tarraxa de alumínio fundido permanentemente lubrificada
Comprimento	20 polegadas (508 mm)	24,13 polegadas (613 mm)
Largura	3,75 polegadas (95 mm)	4,75 polegadas (121 mm)
Altura	7,5 polegadas (191 mm)	8 polegadas (203 mm)
Peso	12,65 lbs (5,7 kg)	21,15 lbs (9,6 kg)
Pressão sonora (L <sub>PA</sub> )*	83 dB(A), K=3	83 dB(A), K=3
Pressão sonora (L <sub>WA</sub> )*	94 dB(A), K=3	94 dB(A), K=3
Vibração*	< 2,5 m/s <sup>2</sup> , K=1,5	< 2,5 m/s <sup>2</sup> , K=1,5

\* As medições de Som e Vibração são feitas em conformidade com um teste padronizado segundo a Norma IEC62841-1.

- Os níveis de vibração podem ser utilizados para comparação com outras ferramentas e para a avaliação preliminar da exposição.

- As emissões acústicas e de vibração podem variar consoante a sua localização e utilização específica destas ferramentas.

- Os níveis de exposição diária para som e vibração devem ser avaliados para cada aplicação e devem ser tomadas medidas de segurança, quando necessário. A avaliação dos níveis de exposição deve considerar o tempo em que uma ferramenta está desligada e não em utilização. Isto pode reduzir significativamente o nível de exposição ao longo do período de trabalho total.

## Inspeção antes da Colocação em Funcionamento

### ⚠ AVISO



**Antes de cada utilização, inspecione o propulsor e corrija quaisquer problemas, para reduzir o risco de ferimentos graves de choque eléctrico, esmagamento e outras causas, e para evitar danos no propulsor.**

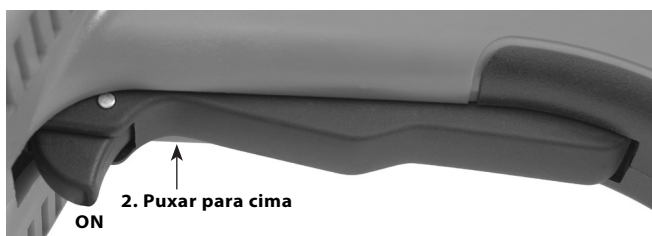
1. Certifique-se que o propulsor está desligado.
2. Limpe qualquer resíduo de óleo, gordura ou sujidade do propulsor e do dispositivo de suporte, incluindo as pegas e os controlos. Isto facilita a inspecção e ajuda a impedir que a máquina ou o controlo escorreguem da mão.
3. Inspeccione o propulsor e o braço de suporte quanto ao seguinte:
  - Danos ou alterações no cabo e ficha.
  - Montagem e manutenção correcta e completa.
  - Peças danificadas, desalinhadas ou coladas.
  - Funcionamento correcto do interruptor de contacto momentâneo de dois passos para LIGAR/DESLIGAR (Figura 5).
  - Dentes de aperto do braço de suporte estão limpos e em boas condições. Os dentes podem ser limpos com uma escova de arame.

- Presença e legibilidade da etiqueta de aviso.
- Qualquer outra condição que possa impedir o funcionamento normal e seguro.

Se detectar algum problema, não utilize o propulsor ou o dispositivo de suporte até que os problemas tenham sido corrigidos.



**Figura 5A – Interruptor de Contacto Momentâneo de Dois Passos ON/OFF**

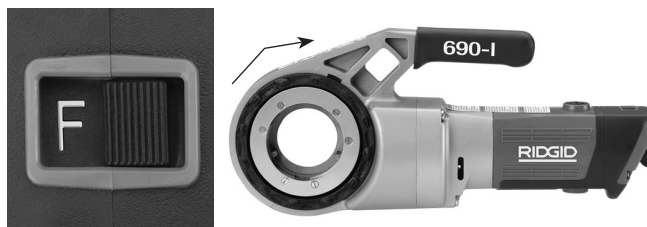


**Figura 5B – Interruptor de Contacto Momentâneo de Dois Passos ON/OFF**

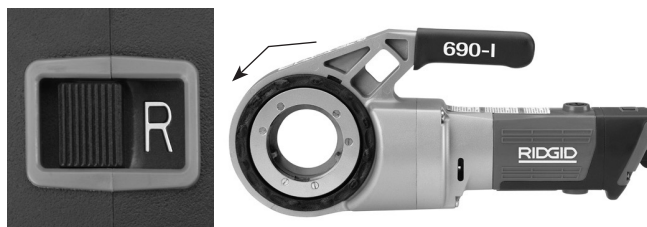
4. Inspeccione as extremidades de corte das tarraxas quanto a desgaste, deformação, lascas ou outros problemas. As ferramentas de corte rombas ou danificadas aumentam a força necessária, produzem roscas de fraca qualidade e aumentam o risco de ferimentos.
5. Inspeccione e realize a manutenção de qualquer outro equipamento em utilização segundo as respectivas instruções de forma a assegurar que funcionam correctamente.
6. Seguindo as instruções de Configuração e Utilização, verifique se o propulsor está a ser utilizado correctamente.
  - Mova o interruptor F/R (Avançar/Recuar) para a posição F. Pressione e liberte o interruptor ON/OFF. (Figura 5). Confirme se o propulsor roda no sentido dos ponteiros do relógio (ver Figura 6) e pára ao libertar o interruptor.
  - Repita o processo para a posição RECUAR (sentido contrário aos ponteiros do relógio). Se o propulsor não rodar na direcção correcta ou se o interruptor ON/OFF não controlar a operação da máquina, não utilize a máquina até que esta tenha sido reparada.

**NOTA** Altere a posição do interruptor deslizante F/R apenas quando o accionador ON/OFF for libertado. Deixe que o propulsor pare completamente antes de inverter a direcção do interruptor deslizante F/R. Isto reduzirá o risco de danos no propulsor.

- Pressione e mantenha pressionado o interruptor ON/OFF. Inspeccione as partes móveis procurando peças desalinhadas, presas, ruídos estranhos ou qualquer outra condição anormal. Liberte o interruptor ON/OFF. Se detectar condições anormais, não use a máquina até que esta tenha sido reparada.



**Figura 6A – Posição de Interruptor F (AVANÇO) (no sentido dos ponteiros do relógio)**



**Figura 6B – Posição de Interruptor R (INVERSO) (no sentido contrário ao dos ponteiros do relógio)**

7. Liberte o interruptor ON/OFF e, com as mãos secas, desligue a ficha da máquina.

## Configuração e Funcionamento

### ⚠ AVISO



**Prepare e utilize o propulsor de acordo com estes procedimentos para reduzir o risco de ferimentos de choque eléctrico, emaranhamento, pancada, esmagamento e outras causas, e para ajudar a evitar danos no propulsor.**

**Utilize um dispositivo de suporte adequado segundo estas instruções. Os dispositivos de suporte melhoram o controlo e reduzem o risco de pancada, esmagamento, e/ou outros ferimentos.**

**Ao utilizar um dispositivo de suporte sem ser o braço de suporte fornecido, o dispositivo de suporte deve reagir contra o alojamento da transmissão ou o alojamento da ventoinha. Os dispositivos de suporte que estejam em contacto com o alojamento ou punho do motor podem danificar essas peças ou aumentar o risco de ferimentos.**

**Segure sempre com firmeza o propulsor ao roscar ou retirar a tarraxa do tubo para resistir às forças de utilização, independentemente do dispositivo de suporte utilizado. Isto reduzirá o risco de pancada, esmagamento e outros ferimentos.**

**Não use luvas ou roupas largas. Mantenha as mangas e casacos abotoados. Roupas largas podem prender-se nas partes rotativas e causar ferimentos por esmagamento e pancada.**

**Apoie o tubo de forma adequada. Isto reduzirá o risco de queda ou tombo do tubo, e de ferimentos graves.**

**Não utilize um propulsor cujos interruptor ON/OFF e interruptor deslizante F/R não estejam a funcionar correctamente.**

**A mesma pessoa tem de controlar o processo de operação e o interruptor ON/OFF. Não operar com mais de uma pessoa. No caso de ficar emaranhado, o operador tem de controlar o interruptor ON/OFF.**

1. Verifique a área de trabalho quanto a:

- Iluminação adequada.
- Líquidos inflamáveis, gases ou poeira que possam inflamar-se. Se estes estiverem presentes, não trabalhe nessa área até que as fontes dos mesmos estejam identificadas e corrigidas. Os propulsores não são à prova de explosão e podem causar faíscas.
- Local desimpedido, nivelado, estável e seco para todo o equipamento e para o operador.
- Boa ventilação. Não utilizar de forma contínua em áreas pequenas e fechadas.
- Tomada eléctrica com a tensão correcta. Em caso de dúvida, peça a um electricista licenciado que inspecione a tomada.
- Caminho desimpedido para a tomada eléctrica que não contenha quaisquer fontes potenciais de danos para o cabo de alimentação.

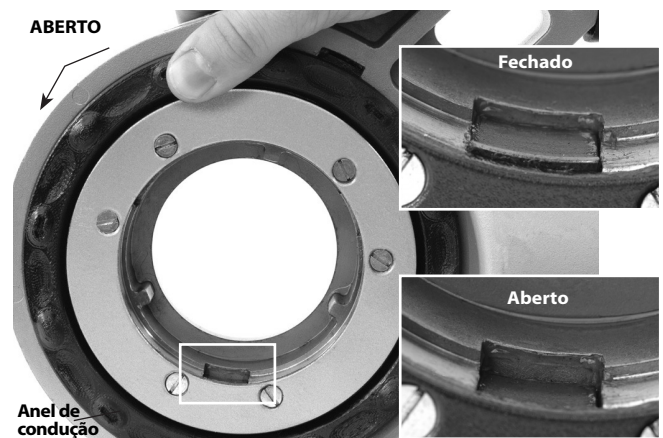
2. Inspeccione o tubo a roscar e os acessórios associados, e confirme que o propulsor é a ferramenta correcta para o serviço. *Ver Especificações.* Não utilizar para roscar algo que não sejam suportes rectos.

Pode encontrar equipamento para outras aplicações no catálogo da Ridge Tool, disponível online em RIDGID.com ou telefonando para a Assistência Técnica da Ridge Tool nos E.U.A. e Canadá através do número (800) 519-3456.

3. Confirme se o equipamento a utilizar foi devidamente inspecionado.
4. Prepare o tubo de forma adequada conforme necessário. Certifique-se que o tubo está cortado em esquadria e rebarbado. Um tubo cortado em ângulo pode danificar as tarraxas durante a roscagem ou dificultar o accionamento da tarraxa.

## Instalar Cabeças de Roscar

5. Instalar Tarraxa de 1½" ou 2" ou Adaptador no 690-I:
  - a. Certifique-se que o interruptor ON/OFF está libertado e que o propulsor está desligado.
  - b. Rode o anel de condução na direcção dos ponteiros do relógio para abrir o mecanismo de retenção. Insira a tarraxa ou adaptador (se necessário), com a extremidade da chaveta primeiro, no propulsor (*Figura 7*).
  - c. Liberte o anel de condução e confirme que a tarraxa/o adaptador está fixa(o).
  - d. Inverta o processo para retirar.



**Figura 7 – Reter Mecanismo, Anel de Condução na Posição Aberta/Fechada**



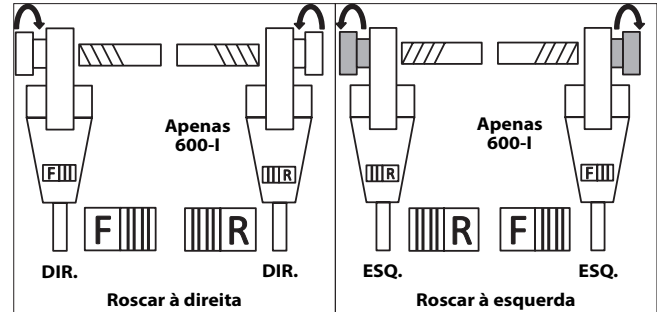
**Figura 8 – Instalar Adaptador no 690-I**

6. Instalar tarraxas de 1¼" ou menores:
  - a. Certifique-se que o interruptor ON/OFF está libertado e que o propulsor está desligado da tomada.
  - b. Caso seja necessário, instale o adaptador no 690-I (Figura 8).
  - c. Insira em esquadria a extremidade octogonal da tarraxa 11-R no propulsor até que seja fixada pelo anel de mola. No 600-I, a tarraxa pode ser inserida em qualquer um dos lados do propulsor. Com o 690-I, as tarraxas apenas podem ser inseridas a partir do lado do adaptador.
  - d. Para retirar, puxe a cabeça de roscar do propulsor. Se necessário, utilize um martelo de borracha ou um bloco de madeira para ajudar a retirar a tarraxa. Não bata na tarraxa, isto pode danificar a ferramenta.



**Figura 9 – Instalar Cabeças de rosca no Propulsor 600-I**

7. Posicione o Interruptor Deslizante F/R do propulsor para roscar do lado desejado (esquerdo ou direito). Ver Figura 10.



**Figura 10 – Interruptor deslizante/Orientação da cabeça de roscar**

8. Certifique-se de que o tubo a roscar está estável e fixo, de forma a evitar que tombe durante a utilização. Utilize apoios de tubo adequados para apoiar o comprimento do tubo.
9. Verifique o nível de Óleo de Corte de Rosca RIDGID no lubrificador RIDGID 418. Retire o tabuleiro de aparas e confirme que a protecção do filtro está limpa e completamente submersa em óleo. Substitua ou adicione óleo, se necessário. Coloque o balde do lubrificador 418 por baixo da extremidade do tubo a roscar.

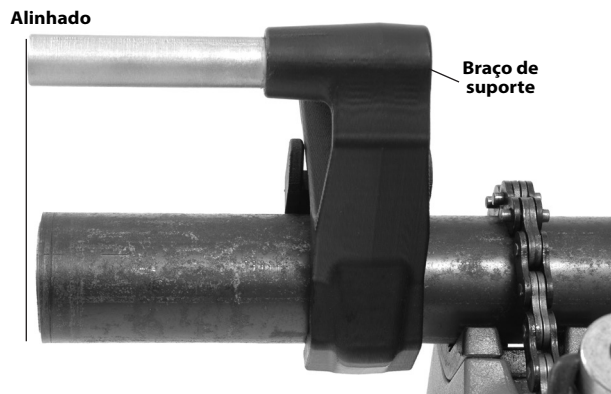
### Resistência às Forças de Roscagem

Utilizar o braço de suporte fornecido:

- a. Utilize sempre o braço de suporte fornecido (braço de suporte 601 ou 602 para 600-I, 691 ou braço de suporte 692 para 690-I) a não ser que tal seja impossível devido a restrições de espaço ou outras. O braço de suporte prende-se ao tubo e ajuda a resistir às forças de roscagem.
- b. Posicione o braço de suporte no tubo, de forma a que a extremidade do braço de suporte esteja alinhada com a extremidade do tubo e que o cimo do braço de suporte esteja horizontal (Figura 11). Assim, posicionará correctamente o braço de suporte para a roscagem e evitará que o óleo de roscar entre no motor (Figura 12).
- c. Certifique-se que os mordentes do braço de suporte estão correctamente alinhados com o tubo e aperte de forma segura o braço de suporte.



**Figura 11A – Posicionar o Braço de Suporte**



**Figura 11B – Posicionar o Braço de Suporte**



**Figura 12 – Orientação Correcta do Propulsor**

Quando não for possível utilizar o braço de suporte:

Ao rosar tubo no local pretendido ou aplicação semelhante, restrições de espaço poderão impedir a utilização do braço de suporte.

- a. Se possível, retire o tubo e proceda à roscagem num turno. Caso não seja possível, devem ser utilizados outros dispositivos de suporte para ajudar a resistir às forças de roscagem, como encostar a transmissão ou ventoinha do propulsor contra um membro estrutural adjacente (como, por exemplo, paredes e vigas). Isto requer que o tubo e o que estiver em redor sejam capazes de aguentar o peso da ferramenta e das forças de roscagem. Pode ser necessário acrescentar apoios de tubo temporários ou permanentes ou elementos estruturais.
- b. Para rosar à direita, a tarraxa rodará no sentido dos ponteiros do relógio (olhando para a face da tarraxa). As forças desenvolvidas pela torção serão na direcção oposta ou contrária à dos ponteiros do relógio. A rotação e a força serão invertidas para rosar à esquerda. Certifique-se que o dispositivo de suporte está correctamente configurado para amortecer a força de roscagem.
- c. Não coloque o motor ou punho do propulsor contra membros estruturais adjacentes para reagir contra forças de roscagem, uma vez que isso poderia provocar danos no propulsor.
- d. Mantenha o propulsor contra o membro estrutural e não coloque os dedos ou mãos entre o propulsor e o membro estrutural. Quando apoiar a cabeça de rosca fora da rosca, segure firmemente o propulsor para resistir às forças de quebra das lascas de rosca. Estes passos reduzirão o risco de pancada, esmagamento e outros ferimentos. O interruptor ON/OFF (ligar/desligar) pode ser libertado a qualquer momento para desligar o propulsor.

Segure sempre firmemente o propulsor ao rosar ou retirar a tarraxa do tubo para resistir às forças, independentemente do dispositivo de suporte utilizado. Isto reduzirá o risco de pancada, esmagamento e outros ferimentos. O interruptor ON/OFF (ligar/desligar) pode ser libertado a qualquer momento para desligar o propulsor.

## Roscagem

10. Com as mãos secas, ligue o propulsor.
11. Posicione a tarraxa por cima da extremidade do tubo e apoie o propulsor tal como indicado na *Secção Resistência às Forças de Roscagem*.



**Figura 13 – Iniciar a rosca**

12. Accione simultaneamente o interruptor ON/OFF e pressione a placa de cobertura da tarraxa com a palma da sua mão livre de forma a iniciar a roscagem. Não use luvas, jóias, ou um pano ao pressionar a placa de cobertura – isto aumenta o risco de emaranhamento e ferimentos. Assim que as tarraxas engatarem o tubo, as roscas serão cortadas à medida que as tarraxas se pressionam contra a extremidade do tubo.

Segure sempre com firmeza o punho do propulsor de forma a resistir às forças do punho. Os dispositivos de suporte podem deslizar e fazer com que o propulsor se mova. O interruptor ON/OFF pode ser libertado a qualquer momento para desligar o propulsor.

13. Pare de pressionar a placa da cobertura e utilize o lubrificador para aplicar uma quantidade generosa de Óleo de Corte de Roscas RIDGID na área a roscar. Isto diminuirá a torção de roscar, melhorando a qualidade da rosca e aumentando a duração das tarraxas.



**Figura 14 – Tubo de Roscagem**

14. Pressione o interruptor ON/OFF até que a extremidade do tubo esteja ao mesmo nível da extremidade das tarraxas e liberte o interruptor. Deixe que o propulsor pare completamente.



**Figura 15 – Tubo Alinhado com Extremidade das Tarraxas**

15. Inverta o interruptor deslizante F/R e accione o interruptor ON/OFF para retirar a tarraxa do tubo enroscado. Segure o punho do propulsor com firmeza para resistir às forças do punho desenvolvidas ao retirar a tarraxa.

**NOTA** Altere a posição do interruptor deslizante F/R apenas quando o interruptor ON/OFF for libertado. Deixe que o propulsor pare completamente antes de inverter a direcção do interruptor deslizante F/R. Isto reduzirá o risco de danos no propulsor.

16. Liberte o interruptor e retire o propulsor e a tarraxa do tubo.  
17. Com as mãos secas, desligue o propulsor.  
18. Limpe o óleo e os resíduos das roscas e da tarraxa, tendo cuidado para não se cortar em resíduos ou extremidades afiadas. Limpe qualquer derrame de óleo na área de trabalho.

### Inspeccionar Roscas

1. Retire o óleo, lascas ou resíduos presentes na rosca.
2. Inspeccione visualmente a rosca. As roscas devem ser lisas e completas, com boa forma. Caso observe problemas como roscas rasgadas, finas ou tubo não arredondado, a rosca pode não selar quando enroscada. Consulte a "Resolução de problemas" tabela de ajuda no diagnóstico destes problemas.
3. Inspeccione o tamanho da rosca. O método preferencial para verificar o tamanho de uma rosca é com um anel calibrador. Existem vários estilos de anéis calibradores, e a sua utilização pode ser diferente da ilustrada na Figura 16.

- Aparafuse bem o anel calibrador manualmente na rosca.
- Veja a que distância vai a extremidade através do anel calibrador. A extremidade do tubo deve estar alinhada com a lateral do calibrador, com uma volta a mais ou a menos. Caso a rosca não esteja correctamente calibrada, corte a rosca, ajuste a tarraxa e recorte uma nova rosca. Ao utilizar uma rosca que não esteja correctamente calibrada pode provocar fugas.

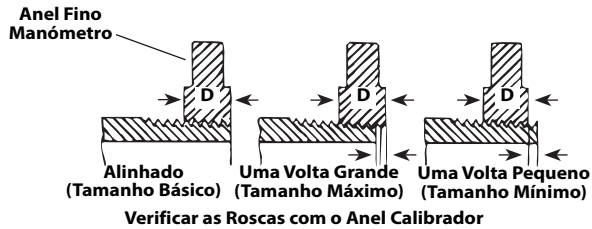


Figura 16 – Verificar o Tamanho da Rosca

- Se não estiver disponível um anel calibrador para inspecionar o tamanho da rosca, é possível utilizar um representante de encaixe novo e limpo ou os utilizados durante o serviço para calibrar o tamanho das rosas. Para rosas NPT de 2" ou menos, as rosas devem ser cortadas de forma a obter 4 a 5 voltas para encaixar manualmente de forma apertada com o encaixe e para rosas BSPT de 2" ou menos, devem ter 3 voltas.

## Instruções de Manutenção

### ⚠ AVISO

**Assegure-se de que o interruptor ON/OFF está libertado e que a máquina está desligada antes de realizar quaisquer trabalhos de manutenção ou regulação.**

**Mantenha a ferramenta de acordo com estes procedimentos para reduzir o risco de ferimentos por choque eléctrico, emaranhamento e outras causas.**

### Limpeza

1. Após cada utilização, esvazie as lascas de rosca do tubuleiro de lascas do lubrificador 418 e limpe todos os resíduos de óleo.
2. Limpe qualquer resíduo de óleo, gordura, lascas ou sujidade do propulsor, incluindo dos punhos e dos controlos. Limpe o mecanismo de retenção 690-I.
3. Limpe qualquer resíduo de óleo, gordura ou sujidade do braço de suporte. Caso seja necessário, limpe os mordentes do braço de suporte com uma escova de arame.
4. Retire as lascas e a sujidade das cabeças de rosca.

## Substituir tarraxas nas Cabeças de rosca 11-R

Estão disponíveis várias tarraxas para instalação em cabeças de rosca RIDGID 11-R. Consulte o catálogo.

1. Retire os quatro parafusos (4) da cobertura (2) e retire a placa da cobertura.
2. Retire as tarraxas usadas (3) da cabeça de rosca.
3. Insira as tarraxas novas nas ranhuras – com a extremidade numerada virada para cima. Os números das tarraxas têm de corresponder aos das ranhuras na cabeça de rosca. Substitua sempre todas as tarraxas como um conjunto.

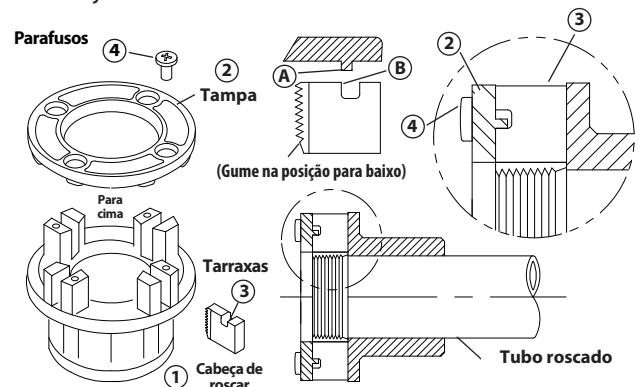


Figura 17 – Instalar tarraxas na cabeça de rosca

4. Volte a colocar a placa da cobertura e aperte ligeiramente os quatro parafusos.
5. Coloque a cabeça de rosca no tubo já rosado até que as tarraxas comecem a rosca. Isto força a paragem nas tarraxas (4) para fora contra as presilhas (4) na placa de cobertura e define correctamente o tamanho.
6. Aperte os quatro parafusos de forma segura. Retire o tubo enrosado e faça um corte de teste.

## Substituir Escovas no Motor

Verifique as escovas do motor a cada 6 meses. Substitua quando estiverem gastas até terem menos de 5/16" (8 mm).



Figura 18 – Instalação da Escova

1. Desligue a máquina da fonte de alimentação.
2. Desaperte as tampas da escova (Figuras 1 e 2). Retire e inspeccione as escovas. Substitua quando estiverem gastas até terem menos de 5/16" (8 mm). Verifique se o comutador está gasto. Se estiver excessivamente gasto, peça a reparação da ferramenta.
3. Instale novamente as escovas/instale escovas novas e aperte bem as tampas das escovas.
4. É aconselhável colocar a unidade em funcionamento durante 15 minutos ao ralenti na direcção de avanço, seguidos de 15 minutos na direcção inversa para assentar as escovas no comutador antes da utilização.

## Acessórios

### ⚠ AVISO

**Para reduzir o risco de ferimentos graves, utilize apenas os acessórios concebidos especificamente e recomendados para utilização com os Propulsores 600-I e 690-I, como os descritos abaixo. Outros Acessórios adequados para utilização com outras ferramentas podem ser perigosos quando utilizados com os Propulsores 600-I e 690-I.**

## Acessórios para os Propulsores 600-I e 690-I

N.º Catálogo	Descrição
45923	Braço de suporte 602
45928	Braço de suporte 692
46668	Mala de transporte da 600-I
46673	Mala de transporte da 690-I
10883	Lubrificador 418 com 1 galão (3,8 litros) de Óleo Nu-Clear
16703	Torno de 425 1/8" - 2 1/2" TRISTAND
36273	Torno de 460-6 1/8" - 6" TRISTAND
45543	Escovas 115 V
45588	Escovas 230 V

Pode encontrar mais informações sobre acessórios específicos para esta ferramenta no Catálogo RIDGID e online no site RIDGID.com

## Armazenamento da Máquina

**⚠ AVISO** Os Propulsores têm de ser mantidos num espaço interior ou bem coberto no caso de chuva. Guarde a máquina numa área isolada que esteja fora do alcance de crianças e de pessoas não familiarizadas com as máquinas. Estas máquinas podem causar ferimentos graves nas mãos de pessoas sem formação específica.

## Assistência e Reparação

### ⚠ AVISO

**Assistência ou reparação desadequadas podem tornar a máquina insegura.**

As "Instruções de Manutenção" serão suficientes para resolver a maioria das necessidades de manutenção desta máquina. Quaisquer problemas que não sejam abordados nesta secção devem apenas ser tratados por um técnico autorizado da RIDGID.

A ferramenta deve ser levada a um Centro de Assistência Independente Autorizado da RIDGID, ou devolvida à fábrica. Utilize apenas peças de assistência RIDGID.

Para informações sobre o Centro de Assistência Independente Autorizado da RIDGID mais próximo, ou para questões sobre assistência e reparação:

- Contacte o seu distribuidor local da RIDGID.
- Visite o site RIDGID.com para encontrar o seu ponto de contacto RIDGID local.
- Contacte o Departamento de Assistência Técnica da Ridge Tool através do endereço de correio electrónico [rtctechservices@emerson.com](mailto:rtctechservices@emerson.com), ou no caso dos E.U.A e Canadá, ligue para (800) 519-3456.



## Óleo de Roscar

Para informação sobre a utilização e manuseamento do Óleo de Corte de Roscas RIDGID®, consulte as etiquetas no recipiente e a Ficha de Dados de Segurança do Material (MSDS). As Fichas de Segurança estão disponíveis no site RIDGID.com ou telefonando para o Departamento de Assistência Técnica da Ridge Tool através do número (800) 519-3456 na E.U.A. e Canadá ou através do endereço de correio electrónico [rttechservices@emerson.com](mailto:rttechservices@emerson.com).

## Eliminação

Determinadas peças dos Propulsores contêm materiais valiosos e podem ser recicladas. Existem empresas que se especializam na reciclagem que podem ser encontradas na sua zona. Elimine os componentes em conformidade com todos os regulamentos aplicáveis. Contacte as autoridades locais de gestão dos resíduos para mais informações.



**Nos países da CE:** Não elimine o equipamento eléctrico juntamente com o lixo doméstico!

De acordo com a Diretiva Europeia 2012/19/UE relativa aos resíduos de equipamentos eléctricos e electrónicos e a sua transposição para a legislação nacional, o equipamento eléctrico em final de vida útil deve ser recolhido em separado e eliminado de forma ambientalmente correta.

## Resolução de problemas

SINTOMA	CAUSAS POSSÍVEIS	SOLUÇÃO
<b>A máquina não funciona.</b>	As escovas não tocam na armadura	Verifique as escovas, substitua se estiverem gastas.
<b>A máquina não é capaz de roscar.</b>	Tarraxas usadas. Sobrecarga devido a roscas rasgadas ou deformadas. Óleo de corte de roscas de má qualidade ou insuficiente. Tensão da linha insuficiente.	Substitua as tarraxas. Consultar razões possíveis abaixo.  Utilize Óleo de Corte de Roscas RIDGID® na quantidade adequada. Verifique a tensão da rede de alimentação.
<b>Formação de faíscas no comutador do motor.</b>	Contacto insuficiente entre as escovas e o comutador.  As escovas não tocam no comutador de forma adequada. Escovas de marcas diferentes. Escovas novas.	Aperte as coberturas das escovas para garantir que as escovas estão pressionadas com firmeza contra o comutador.  Substitua as escovas gastas e ou a armadura. Utilize apenas escovas RIDGID®. Assente as escovas colocando a unidade em funcionamento ao ralenti durante 15 minutos em Avanço e Sentido inverso.
<b>As tarraxas não começam a roscar.</b>	A tarraxa não está alinhada com a extremidade do tubo. A força de encaixe não foi aplicada de forma adequada à tarraxa. A extremidade do tubo não está cortada em esquadria. Tarraxas usadas ou quebradas. A máquina gira na direcção errada.  As tarraxas estão colocadas incorrectamente na cabeça de roscar.	Pressione a placa de cobertura da tarraxa para iniciar a roscagem. Aplique força de encaixe ao longo da linha central do tubo. Corte a extremidade do tubo em esquadria. Substitua as tarraxas. Verifique a posição do Interruptor Deslizante F/R. Certifique-se que os pentes de roscar estão apontados para fora contra as presilhas da placa de cobertura.
<b>Roscas danificadas.</b>	Tarraxas danificadas, lascadas ou gastas. Óleo de corte de roscas insuficiente ou desadequado. Tipo de tarraxa incorrecta para o material.  Material do tubo de má qualidade.	Substitua as tarraxas. Utilize apenas Óleo de Corte de Roscas RIDGID® na quantidade adequada. Seleccione tarraxas de elevada velocidade, aço inoxidável ou liga de aço que sejam adequadas à aplicação. Utilize tubo de melhor qualidade.

## Resolução de problemas

<b>Roscas deformadas ou esmagadas.</b>	A parede do tubo é demasiado fina.	Utilize uma espessura de parede de especificação 40 ou superior.
<b>O dispositivo de suporte gira durante a roscagem.</b>	<p>Os mordentes do braço de suporte estão sujos.</p> <p>.....</p> <p>O braço de suporte não está correctamente alinhado.</p> <p>.....</p> <p>O braço de suporte não está apertado.</p>	<p>Limpe com uma escova de arame.</p> <p>.....</p> <p>Alinhe o braço de suporte correctamente com o tubo.</p> <p>.....</p> <p>Aperte o fuso.</p>
<b>Fusos finos.</b>	As tarraxas não estão colocadas na ordem correcta.	Coloque as tarraxas na ranhura correcta na cabeça de roscar.



# Drivenheter

## 600-I/690-I



### **⚠ VARNING!**

Läs den här bruksanvisningen noggrant innan du använder utrustningen. Om du använder utrustningen utan att ha förstått eller följt innehållet i bruksanvisningen finns risk för elchock, brand och/eller personskador.

#### Drivenheter 600-I/690-I

Anteckna serienumret nedan, och spara produktens serienummer som sitter på märkskylten.

Serie-  
nr

--	--

## Innehåll

<b>Registreringsformulär för maskin med serienummer</b> .....	115
<b>Säkerhetssymboler</b> .....	117
<b>Allmänna säkerhetsvarningar för motordrivna verktyg</b> .....	117
Säkerhet på arbetsområdet .....	117
Elsäkerhet .....	117
Personlig säkerhet .....	118
Användning och skötsel av motordrivna verktyg .....	118
Service .....	118
<b>Särskild säkerhetsinformation</b> .....	119
Säkerhet för drivenheter .....	119
<b>Beskrivning, specifikationer och standardutrustning</b> .....	119
Beskrivning .....	119
Standardutrustning .....	120
Specifikationer .....	121
<b>Kontroll före användning</b> .....	121
<b>Inställning och användning</b> .....	122
Montering av gänghuvuden .....	123
Stå emot gängkrafter .....	124
Gängutrustning .....	125
Inspektera gängor .....	126
<b>Anvisningar för underhåll</b> .....	126
Rengöring .....	126
Byta gängbackar i gänghuvud 11-R .....	126
Byta kolborstar i motorn .....	127
<b>Tillbehör</b> .....	127
<b>Förvaring av maskinen</b> .....	127
<b>Service och reparationer</b> .....	128
<b>Gängolja</b> .....	128
<b>Bortskaffande</b> .....	128
<b>Felsökning</b> .....	129
<b>EG-försäkran om överensstämmelse</b> .....	Insidan på omslagets baksida
<b>Livstidsgaranti</b> .....	Baksida

\* Översättning av bruksanvisning i original

## Säkerhetssymboler

I den här bruksanvisningen och på produkten används säkerhetssymboler och signalord för att kommunicera viktig säkerhetsinformation. Det här avsnittet syftar till att förbättra förståelsen av dessa signalord och symboler.



Detta är en säkerhetssymbol. Den används för att göra dig uppmärksam på risker för personskador. Rätta dig efter alla säkerhetsföreskrifter som följer efter denna symbol, för att undvika personskador eller dödsfall.



**FARA** betecknar en livsfarlig situation som kommer att orsaka dödsfall eller allvarliga personskador om den inte undviks.



**WARNING** betecknar en farlig situation som kan orsaka dödsfall eller allvarliga personskador om den inte undviks.



**SE UPP** betecknar en farlig situation som kan resultera i lindriga eller medelsvåra skador om den inte undviks.



**OBS** betecknar information som avser skydd av egendom.



Den här symbolen betyder att bruksanvisningen ska läsas noggrant innan utrustningen används. Bruksanvisningen innehåller viktig information om säker och korrekt användning av utrustningen.



Den här symbolen visar att skyddsglasögon med sidoskydd eller goggles alltid ska bäras när utrustningen används, för att minska risken för ögonskador.



Den här symbolen visar att det finns risk att fingrar, händer, kläder eller andra föremål fastnar mellan drev eller andra roterande delar och orsakar krosskador.



Den här symbolen betecknar risk för elchock.



Den här symbolen visar att det finns risk för att maskinen tippar, vilket kan orsaka slag- eller krosskador.



Den här symbolen betyder att du inte ska bära handskar vid användning av den här maskinen, för att minska risken för att fastna.



Den här symbolen betyder att en stödordning ska användas för att stå emot gängkrafter, förbättra kontrollen och minska risken för slagskador, krosskador och/eller andra personskador.

## Allmänna säkerhetsvarningar för motordrivna verktyg\*

### ⚠ VARNING

Läs alla säkerhetsvarningar, anvisningar, illustrationer och specifikationer som medföljer det här motordrivna verktyget. Om du använder utrustningen utan att förstå eller följa anvisningarna nedan finns risk för elstöt, brand och/eller allvarliga personskador.

### SPARA ALLA VARNINGAR OCH ANVISNINGAR SOM REFERENS I FRAMTIDEN!

Termen "motordrivet verktyg" i varningstexterna avser ett nät-drivet motordrivet verktyg (med sladd) eller ett batteridrivet motordrivet verktyg (sladdlöst).

### Säkerhet på arbetsområdet

- **Håll arbetsområdet rent och väl upplyst.** Stökiga eller mörka områden gör att olyckor inträffar lättare.

- **Använd inte motordrivna verktyg i omgivningar med explosiv atmosfär, till exempel i närheten av brandfarliga vätskor, gaser eller damm.** Motordrivna verktyg kan avge gnistor som kan antända dammet eller ångan.
- **Håll barn och kringstående på behörigt avstånd medan du använder ett motordrivet verktyg.** Distrahering kan göra att du förlorar kontrollen.

### Elsäkerhet

- **Motordrivna verktygs elkontakter måste passa i motsvarande uttag. Du får aldrig modifiera kontakten på något sätt. Använd inga adapterkontakter med jordade motordrivna verktyg.** Omodifierade kontakter och passande uttag minskar risken för elchock.
- **Undvik kroppskontakt med jordade ytor såsom rör, element och kylskåp.** Risken för elchock ökar om din kropp är jordad.
- **Utsätt inte motordrivna verktyg för regn eller väta.** om vatten kommer in i ett motordrivet verktyg ökar risken för elchock.

\* Texten i avsnittet Allmänna säkerhetsvarningar för motordrivna verktyg i den här bruksanvisningen är ordagrann, enligt krav, från tillämplig standard UL/CSA 62841. Avsnittet innehåller allmän säkerhetsinformation för många olika typer av motordrivna verktyg. Alla föreskrifter gäller inte för alla verktyg, och vissa gäller inte för det här verktyget.

- **Misshandla inte kabeln.** Använd aldrig kabeln till att bära eller dra det motordrivna verktyget. Håll kabeln på avstånd från värme, olja, vassa kanter och rörliga delar. Skadade eller intrasslade kablar ökar risken för elchock.
- **När ett motordrivet verktyg används utomhus ska du använda en förlängningskabel som är avsedd för utomhusanvändning.** Användning av en kabel som är lämplig för utomhusanvändning minskar risken för elchock.
- **Använd en krets med jordfelsbrytare om ett motordrivet verktyg måste användas på en fuktig plats.** En jordfelsbrytare minskar risken för elchock.

## Personlig säkerhet

- **Var uppmärksam, ha uppsikt över det du gör, och använd sunt förnuft när du använder ett motordrivet verktyg.** Använd inte ett motordrivet verktyg om du är trött eller påverkad av mediciner, alkohol eller annat. Ett enda ouppmärksam ögonblick under användning av motordrivna verktyg kan orsaka allvarliga personskador.
- **Använd personlig skyddsutrustning. Bär alltid ögonskydd.** Skyddsutrustning som ansiktsmasker, halkfria skyddsskor, hjälm eller hörselskydd minskar risken för personskador.
- **Förhindra oavsiktliga starter. Kontrollera att omkopplaren är i frånslaget läge innan du ansluter till nätspänningen och/eller batteriet, och innan du plockar upp eller bär med dig verktyget.** Håll inte fingret på avtryckaren medan du bär verktyget och låt inte motordrivna verktyg ligga påslagna – detta kan lätt orsaka olyckor.
- **Ta bort alla justeringsverktyg eller skruvnycklar innan du startar verktyget.** Justeringsverktyg eller skruvnycklar på en roterande del av det motordrivna verktyget kan orsaka personskador.
- **Sträck dig inte för långt. Stå alltid stadigt och balanserat.** Då har du bättre kontroll över maskinen vid oväntade situationer.
- **Använd ordentliga kläder.** Använd inte löst sittande kläder eller hängande smycken. Håll hår, kläder och handskar på behörigt avstånd från rörliga delar. Löst sittande kläder, smycken och långt hår kan fastna i rörliga delar.
- **Om det finns utrustning för dammsug och dammuppsamling måste sådan utrustning vara ordentligt ansluten och användas på rätt sätt.** Användning av dammsug kan minska dammrelaterade risker.
- **Var alltid uppmärksam, överskatta inte din egen erfarenhet och följ alltid alla säkerhetsprinciper.** En slarvig åtgärd kan orsaka personskada på bråkdelen av en sekund.

## Användning och skötsel av motordrivna verktyg

- **Använd inte överdriven kraft. Använd rätt motordrivet verktyg för uppgiften.** Rätt motordrivet verktyg utför arbetet bättre och säkrare vid den hastighet som verktyget är avsett för.
- **Använd inte det motordrivna verktyget om på/avknappen inte startar respektive stänger av verktyget.** Alla verktyg där omkopplaren inte fungerar är farliga, och måste repareras.
- **Koppla ur kontakten från strömkällan och/eller ta ut batteriet, om detta är möjligt, ur det motordrivna verktyget innan du utför några justeringar, byter några tillbehör, eller förvarar några motordrivna verktyg.** Sådana förebyggande säkerhetsåtgärder minskar risken för att det motordrivna verktyget ska startas oavsiktligt.
- **Förvara motordrivna verktyg som inte används utom räckhåll för barn och låt inte personer som inte är bekanta med motordrivna verktyg och som inte läst den här bruksanvisningen använda det motordrivna verktyget.** Motordrivna verktyg är farliga i händerna på utbildade användare.
- **Utför underhåll på motordrivna verktyg. Kontrollera om det finns några felinställda eller kärvande rörliga delar, om några delar har gått sönder eller något annat tillstånd som kan påverka verktygets drift. Om ett motordrivet verktyg är skadat måste det repareras före användning.** Många olyckor orsakas av dåligt underhållna motordrivna verktyg.
- **Håll kapverktygen vassa och rena.** Ordentligt underhållna kapverktyg med vassa skärande eggar kärvar inte lika lätt och är lättare att kontrollera.
- **Använd det motordrivna verktyget, tillbehören och bitarna osv. i enlighet med dessa anvisningar, med hänsyn tagen till arbetsförhållandena och det arbete som ska utföras.** användning av motordrivna verktyg i andra syften än de avsedda kan resultera i en farlig situation.
- **Håll handtagen och greppytorna torra, rena och fettfria.** Hala handtag och grippytor gör hanteringen osäker och du kanske inte kan kontrollera verktyget vid oväntade situationer.

## Service

- **Service på det motordrivna verktyget ska utföras av en behörig reparatör och eventuella reservdelar måste vara identiska originaldelar.** Detta ser till att verktygets säkerhet hålls intakt.



## Särskild säkerhetsinformation

### ⚠ VARNING

Det här avsnittet innehåller viktig säkerhetsinformation som gäller specifikt för det här verktyget.

Läs den här förebyggande informationen noggrant innan du använder motordrivenheterna och minska risken för elchock eller allvarliga personskador.

### SPARA DESSA ANVISNINGAR!

Förvara den här bruksanvisningen med maskinen, så att operatören alltid har tillgång till den.

### Säkerhet för drivenheter

- Använd alltid stödanordningen som medföljer verktyget. Förlorad kontroll under drift kan leda till personskador.
- Håll armar och jackor igenknäppta när verktyget används. Sträck dig inte över verktyget eller röret. Kläder kan fastna i röret eller verktyget och trassla in sig.
- Endast en person ska kontrollera arbetsprocessen och verktygsfunktionen. Om fler personer är inblandade i processen kan det leda till oavsiktlig drift och personskador.
- Håll golven torra och fria från hala material som t.ex. olja. Hala golv kan lätt orsaka olyckor.
- Använd inte handskar när du använder verktyget. Sträck dig inte över verktyget eller röret. Handskar kan fastna i röret eller verktyget och trassla in sig.
- Håll alltid drivenheten ordentligt när gänghuvudet backas av från röret och håll emot gängkrafter oavsett stödanordning. Detta minskar risken för slagskador, krosskador och andra personskador.
- Följ anvisningarna om korrekt användning av den här maskinen. Använd inte för andra syften som att borra hål eller dra runt vinschar. Annan användning eller modifiering av den här maskinen för andra arbetsuppgifter kan öka risken för allvarliga personskador.
- Använd inte den här drivenheten om strömbrytaren är trasig. Omkopplaren är en säkerhetsanordning som stänger av motorn om du släpper omkopplaren.
- Använd inte gängbackar som är slöa eller skadade. Vassa skärande verktyg kräver mindre vridmoment och drivenheten är lättare att kontrollera.
- Håll handtagen torra och rena och fria från olja och fett. Ger bättre kontroll över verktyget.

- Använd endast RIDGID-gänghuvuden med RIDGID Power Drive. Andra gänghuvuden kanske inte passar exakt i drivenheten och detta kan öka risken för personskador och skador på utrustningen.

Om du har någon fråga om den här RIDGID®-produkten:

- Kontakta din lokala RIDGID-distributör.
- Besök RIDGID.com för att lokalisera närmaste RIDGID-representant.
- Kontakta Ridge Tool Technical Service Department på [rtctechservices@emerson.com](mailto:rtctechservices@emerson.com). Om du befinner dig i USA eller Kanada ringer du (800) 519-3456.

## Beskrivning, specifikationer och standardutrustning

### Beskrivning

RIDGID®-drivenheterna 600-I och 690-I är dubbelt isolerade drivenheter som ger effekt vid gängning av rör och elkabelkanaler. Det finns ett skjutreglage som du kan använda för att växla mellan fram- och backriktning. PÅ/AV styrs med en momentanomkopplare.

Drivenheten 600-I är konstruerad för att användas tillsammans med RIDGID 11-R gänghuvuden (1/8"–1 1/4" rör). Drivenheten 690-I är konstruerad för att användas tillsammans med RIDGID 11-R gänghuvuden (1/8"–2" rör). En adapter krävs vid användning av drivenheten 690-I med dimensionerna 1/8"–1 1/4". Adaptern och rören i dimensionerna 1 1/2"–2" hålls fast i drivenheten 690-I av en särskild gripmekanism.



Figur 1 – Drivenhet modell 600-I

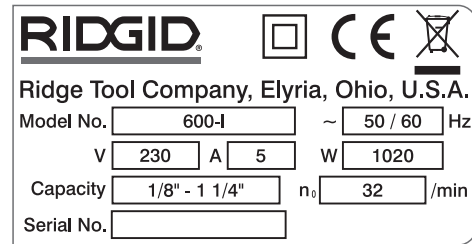


Figur 2 – Drivenhet 690-I



Figur 3 – Stödarmar 602/692

Serienumren för drivenheterna 600-I och 690-I sitter undertill på motorhuset. De sista fyra (4) siffrorna i serienumret visar tillverkningsmånad och tillverkningsår (MMÅÅ).



Figur 4 – Maskinens serienummer

### Standardutrustning

Drivenheterna 600-I/690-I Drives levereras med följande delar:

- Drivenhet
- Adapter för 690-I (endast 690-I)
- Bruksanvisning

**OBS** Val av lämpliga material och installation, fognings- och formningsmetoder är systemkonstruktörens och/eller installatörens ansvar. Om felaktiga material eller felaktiga metoder används kan systemfel inträffa.

Rostfritt stål och andra rostskyddade material kan förorenas under installation, fogning och formning. Den här föroreningen kan orsaka korrosion och haverier i förtid. Utför alltid en noggrann utvärdering av material och metoder för specifika serviceförhållanden, inklusive kemisk sammansättning och temperaturer, ska utföras innan någon installation påbörjas.

## Specifikationer

Parameter	Drivenhet 600-I	Drivenhet 690-I
Kapacitet rörgängning	1/8 till 1 1/4 tum (3 till 32 mm)	1/8 till 2 tum (3 till 50 mm)
Hållare för gänganordning	Ringfjäder	Hållarmekanism (1 1/2–2 tum) Ringfjäder (1/8–1 1/4 tum)
Vänstergångor	Ja	Ja
Stödarm	nr Nej. 602, nr Nej. 601	nr Nej. 692, nr Nej. 691
Adapter	Krävs inte.	Används med gänghuvuden från 1/8" till 1 1/4".
Motortyp	Universalmotor, enfas	Universalmotor, enfas
Watt	1270 (120 V), 1020 (220–240 V)	1270 (120 V), 1020 (220–240 V)
Spänning/faser	120 V/1-fas, 220–240 V/1-fas	120 V/1-fas, 220–240 V/1-fas
Ampere	12 A (120 V), 5 A (220–240 V)	12 A (120 V), 5 A (220–240 V)
Arbetsvarvtal (varv/min)	36 (120 V), 32 (220–240 V)	36 (120 V), 32 (220–240 V)
Reglage	Fram/back-omkopplare PÅ/AV-omkopplare, tvåstegs momentankontakt	Fram/back-omkopplare PÅ/AV-omkopplare, tvåstegs momentankontakt
Växel	Gjuten aluminium, permanentmord	Gjuten aluminium, permanentmord
Längd	20 tum (508 mm)	24,13 tum (613 mm)
Bredd	3,75 tum (95 mm)	4,75 tum (121 mm)
Höjd	7,5 tum (191 mm)	8 tum (203 mm)
Vikt	12,65 lbs (5,7 kg)	21,15 lbs (9,6 kg)
Ljudtryck (L <sub>PA</sub> )*	83 dB(A), K=3	83 dB(A), K=3
Ljudeffekt (L <sub>WA</sub> )*	94 dB(A), K=3	94 dB(A), K=3
Vibration*	<2,5 m/s <sup>2</sup> , K=1,5	<2,5 m/s <sup>2</sup> , K=1,5

\* Ljud- och vibrationsmått mäts i enlighet med ett standardiserat test enligt standard IEC62841-1.

- Vibrationsnivåerna kan användas för jämförelse med andra verktyg och för preliminär bedömning av exponeringen.
- Ljud- och vibrationsutsläppen kan variera beroende på platsen och den specifika användningen av de här verktygen.
- Dagliga exponeringsnivåer för ljud och vibrationer måste utvärderas för varje tillämpning och lämpliga säkerhetsåtgärder vidtas vid behov. Utvärdering av exponeringsnivåer ska väga in tiden när ett verktyg är avstängt och inte används. Det kan minska exponeringsnivån för hela arbetsperioden avsevärt.

## Kontroll före användning

### ⚠ VARNING

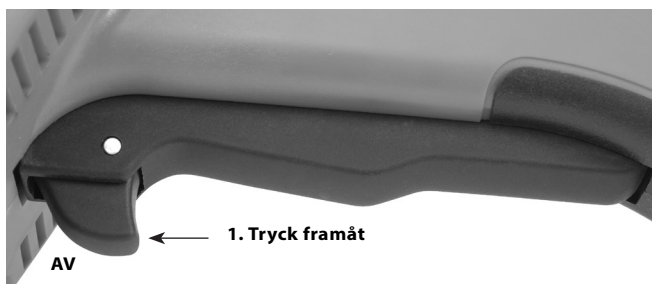


**Kontrollera drivenheten före varje användningstillfälle och åtgärda eventuella problem för att minska risken för allvarliga personskador på grund av elchock, krosskador eller andra orsaker, och för att förhindra skador på drivenheten.**

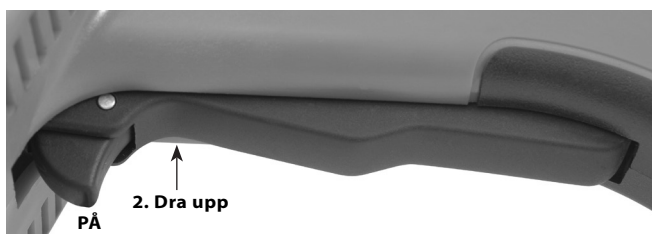
1. Kontrollera att drivenheten är urkopplad.
2. Ta bort all olja, smuts och allt smörj fett från drivenheten och stöd anordningen, även från handtag och reglage. Detta underlättar inspektionen och förhindrar att verktyget glider ur handen vid användningen.

3. Inspektera drivenheten och stödarmen avseende följande:
  - Skador eller manipuleringar av kabeln eller kontakten.
  - Ordentlig montering och komplett.
  - Skadade, felinställda eller kärvande delar.
  - Korrekt funktion hos tvåstegs momentankontakt – PÅ/AV-omkopplare (Figur 5).
  - Stödarmens griptänder är rena och i gott skick. Tänderna kan rengöras med en stålborste.
  - Varningsetiketterna finns på plats och är läsliga.
  - Alla andra tillstånd som kan förhindra säker och normal drift.

Om några fel hittas, använd inte verktyget förrän eventuella problem har åtgärdats.



**Figur 5A – Omkopplare PÅ/AV, tvåstegs momentankontakt**

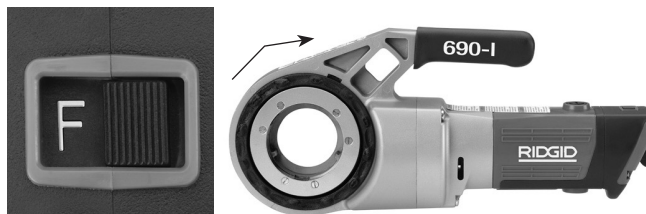


**Figur 5B – Omkopplare PÅ/AV, tvåstegs momentankontakt**

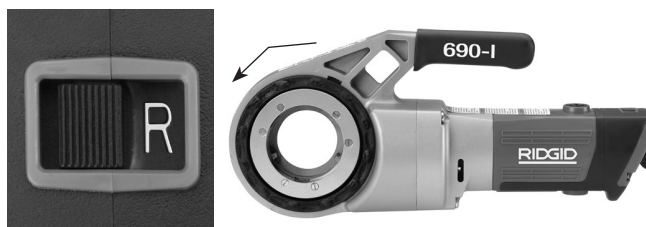
4. Kontrollera gängbackarnas skärande eggar och titta efter tecken på slitage, deformation, spånor eller andra problem. Slöa eller skadade skärande verktyg kräver högre kraft, ger skärningar av dålig kvalitet och öka risken för personskador.
5. Utför inspektion och underhåll av all annan utrustning enligt anvisningarna och säkerställ att den fungerar korrekt.
6. Läs anvisningarna för inställning och användning, och kontrollera sedan att drivenheten fungerar korrekt.
  - Sätt F/R-reglaget (Fram/Back – Forward/Reverse) i läge F. Tryck och släpp PÅ/AV-omkopplaren (Figur 5). Kontrollera att drivenheten roterar medurs (se Figur 6) och stannar när du släpper omkopplaren.
  - Upprepa rutinen för BACK-riktningen (moturs). Om drivenheten inte roterar i rätt riktning, eller om PÅ/AV-omkopplaren inte reglerar maskindriften får du inte använda maskinen förrän den har reparerats.

**OBS** Ändra inte läge på fram/back-omkopplaren förrän du har släppt PÅ/AV-omkopplaren. Låt drivenheten stanna helt innan du ändrar riktning med fram/back-omkopplaren. Detta minskar risken för skador på drivenheten.

- Tryck och håll in PÅ/AV-omkopplaren. Kontrollera att verktyget inte är felinställt eller avger konstiga ljud, att det inte kärvar och att det inte förekommer några andra problem. Släpp PÅ/AV-omkopplaren. Om du hittar några ovanliga tillstånd ska du inte använda maskinen förrän det har reparerats.



**Figur 6A – F-läget (FORWARD/FRAMÅT) (medurs)**



**Figur 6B – R-läget (REVERSE/BACK) (moturs)**

7. Släpp PÅ/AV-omkopplaren och dra ur kontakten till maskinen med torra händer.

## Inställning och användning

### ⚠ VARNING



**Ställ in och använd drivenheten enligt dessa rutiner så att du minskar risken för personskador på grund av elchock, intrassling, slag, krossning och andra orsaker, och så att du hjälper till att undvika skador på drivenheten.**

**Använd en lämplig stödanordning i enlighet med dessa anvisningar. Stödanordningar förbättrar kontrollen och minskar risken för slagskador, krosskador och/eller andra personskador.**

**Håll alltid drivenheten ordentligt när gånghuvudet backas av från röret och håll emot krafterna från användningen oavsett stödanordning Detta minskar risken för slagskador, krosskador och andra personskador.**

**Bär inte handskar eller löst sittande kläder. Knäpp knappar i ärmar och jackor. Löst sittande kläder kan fastna i roterande delar och orsaka kross- och slagskador.**

**Stötta upp röret ordentligt. Detta minskar risken för fallande rör, tippning och allvarliga personskador.**

**Använd inte drivenheten om PÅ/AV-omkopplaren eller fram/back-omkopplaren inte fungerar.**

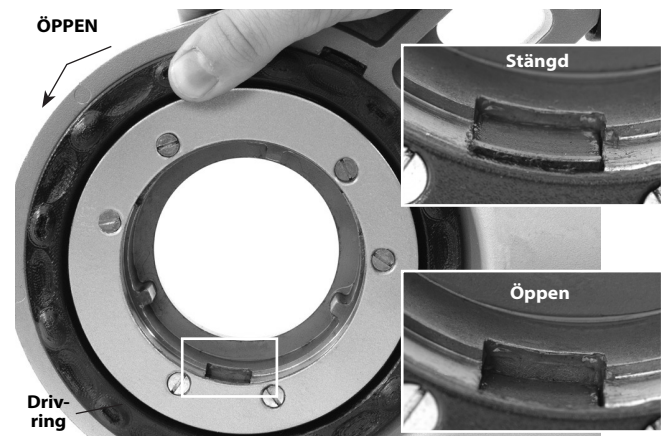
**En person måste kontrollera både arbetsprocessen och PÅ/AV-omkopplaren. Utrustningen ska inte användas av mer än en person. Vid intrassling måste operatören kunna kontrollera PÅ/AV-omkopplaren.**

1. Kontrollera att arbetsområdet uppfyller följande:
  - Tillräcklig belysning.
  - Inga brandfarliga vätskor, ångor eller damm som kan antändas. Arbeta inte inom området förrän alla risker identifierats och åtgärdats. Drivenheterna är inte explosionssäkra och kan generera gnistor.
  - Tydlig, plan, stabil och torr plats för all utrustning och för operatören.
  - God ventilation. Använd inte utrustningen under långa perioder på små och begränsade utrymmen.
  - Korrekt jordat eluttag med rätt spänning. Låt en behörig elektriker kontrollera uttaget om du är osäker.
  - Ta bort alla eventuella hinder framför eluttaget så att det inte finns något som kan skada elkabeln.
2. Inspektera röret som ska gängas och dess tillhörande kopplingar, och kontrollera att den valda drivenheten är rätt verktyg för uppgiften. Se *Specifikationer*. Använd inte utrustningen för att gänga något annat än räta detaljer.
 

Utrustning för andra uppgifter finns i katalogen från Ridge Tool och online på RIDGID.com. Du kan även ringa Ridge Tool Technical Service i USA och Kanada på telefon +1 (800) 519-3456.
3. Kontrollera att all utrustning som ska användas har inspekterats ordentligt.
4. Preparera röret på rätt sätt efter behov. Kontrollera att röret kapas rätvinkligt och utför avgradning. Rör som kapas i sned vinkel kan skada gängbackarna under gängning och dessutom blir det svårare för gänghuvudet att greppa.

### Montering av gänghuvuden

5. Montera gänghuvud eller adapter 1½" eller 2" i 690-I:
  - a. Kontrollera att PÅ/AV-omkopplaren är uppsläppt och att drivenheten är urkopplad.
  - b. Vrid drivringen moturs för att öppna gripmekanismen. Sätt in gänghuvudets eller adapterns (vid behov) räfflade ände helt och hållet i drivenheten (Figur 7).
  - c. Släpp drivringen och kontrollera att gänghuvudet/adaptern är säker.
  - d. Utför rutinen i omvänd ordning för att ta bort enheten.

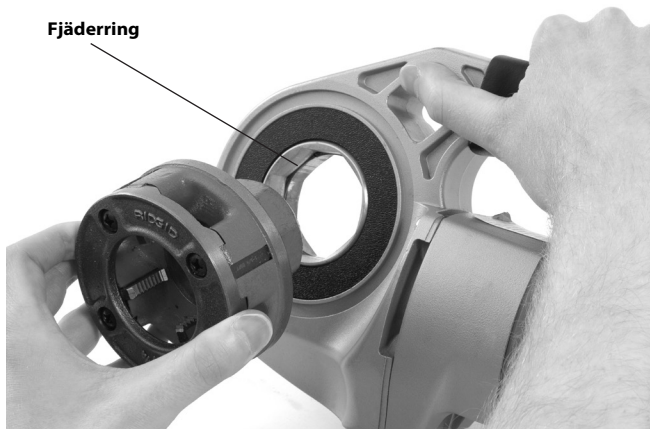


**Figur 7 – Hållarmekanism, drivring i öppet/stängt läge**



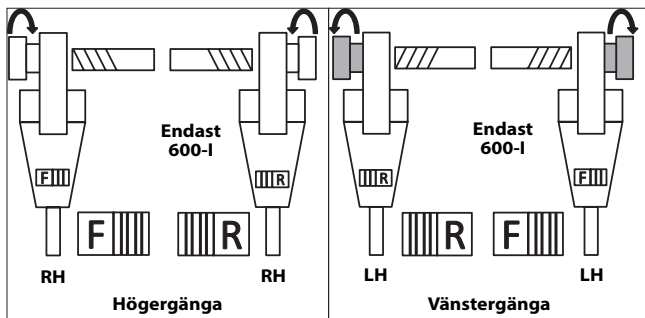
**Figur 8 – Montering av adapter i 690-I**

6. Montering av gänghuvuden 1¼" eller mindre:
  - a. Kontrollera att PÅ/AV-omkopplaren är uppsläppt och att drivenheten är urkopplad från uttaget.
  - b. Montera adaptern i 690-I om så behövs (Figur 8).
  - c. Sätt in den åttkantiga änden av gänghuvudet 11-R i drivenheten tills att fjäderringen låser fast den. På modell 600-I kan gänghuvudet sättas in på valfri sida av drivenheten. På modell 690-I kan gänghuvudena bara sättas in från adaptersidan.
  - d. Du kan lossa gänghuvudet genom att dra ut det från drivenheten. Du kan använda en mjuk plasthammare eller ett träblock för att knacka ut gänghuvudet, om så behov. Slå inte på gänghuvudet eftersom detta kan skada verktyget.



**Figur 9 – Montering av gänghuvuden i drivenheten 600-I**

7. Placera drivenhetens F/R-skjutreglage så att du får önskad höger- eller vänstergänga. Se Figur 10.



**Figur 10 – Skjutreglage/gängbaksorientering**

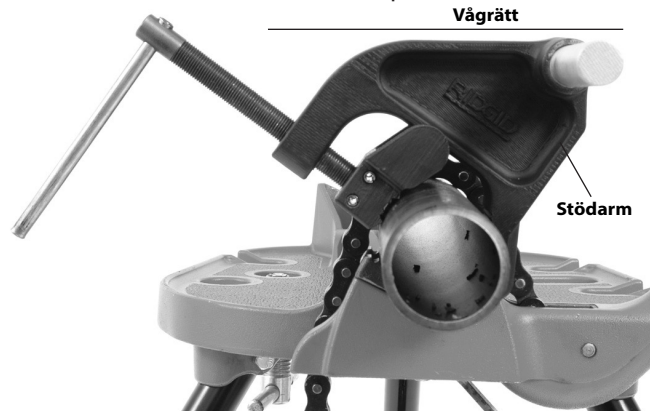
8. Kontrollera att röret som ska gängas är stabilt och säkert för att förhindra tippning under användning. Använd lämpliga rörstativ för att stötta upp rörlängden.
9. Kontrollera gängoljenivån i smörjapparaten RIDGID 418. Ta bort spånkorgen och kontrollera att filtret är rent och helt nedsänkt i olja. Byt eller fyll på olja vid behov. Placera uppsamlingsbehållaren för smörjapparaten 418 under röränden som ska gängas.

### Stå emot gängkrafter

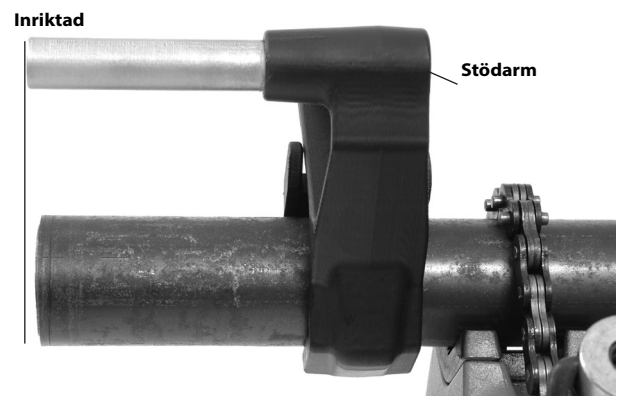
Använda den medföljande stödarmen:

- Använd alltid den medföljande stödarmen (stödarm 601 eller 602 för 600-I, stödarm 691 eller 692 för 690-I) såvida den inte kan användas på grund av begränsat utrymme eller andra anledningar. Stödarmen fästs vid röret och hjälper till att stå emot gängkrafterna.
- Placera stödarmen på röret så att stödarmens ändar är i linje med rörets ände och stödarmens topp är vågrätt (Figur 11). Stödarmen står nu korrekt för gängning och hindrar gängoljan från att komma in i motorn (Figur 12).

- c. Kontrollera att stödarmens käftar är rätt inriktade utefter röret och dra åt stödarmen på säkert sätt.



**Figur 11A – Inställning av stödarmen**



**Figur 11B – Inställning av stödarmen**



**Figur 12 – Drivenhetens korrekta orientering**

Om stödarmen inte kan användas:

Vid rörgängning på fältet eller annan liknande tillämpning går det kanske inte att använda stödarmen på grund av begränsat utrymme.

- a. Ta bort röret och gänga i ett skruvstycke om detta är möjligt. Om detta inte är möjligt måste någon annan typ av stödordning användas som mothåll för gängkrafterna. En möjlighet kan vara att placera drivenhetens växel eller fläkthus mot ett motstående konstruktionselement (till exempel väggar, balkar och reglar). Röret och omgivningarna måste kunna stå emot verktygets vikt plus gängkrafterna. Det kan vara nödvändigt att lägga till tillfälliga eller permanenta rörstöd eller bärande delar.
- b. För högergång kommer gänghuvudet att rotera medurs (när operatören tittar på gänghuvudets yta). Gängmomentet kommer att gå i motsatt (moturs) riktning. Rotation och kraft reverseras vid vänstergångar. Kontrollera att stödutrustningen är korrekt inställd så att gängkraften kan absorberas.
- c. Placera inte drivenhetens motor eller handtag mot angränsande bärande delar som mothåll mot gängkrafter, eftersom detta kan orsaka skador på drivenheten.
- d. Håll drivenheten mot den bärande delen och sätt inga fingrar eller händer mellan drivenheten och den bärande delen. När gänghuvudet backas av från gängan måste du alltid hålla ett fast grepp i drivenheten så att krafterna inte bryter loss spånor från gängorna. Dessa steg minskar risken för slagskador, krosskador och andra personsador. Du kan släppa PÅ/AV-omkopplaren när som helst för att stänga AV drivenheten.

Håll alltid drivenheten ordentligt när gänghuvudet backas av från röret och håll emot krafter oavsett stödordning. Detta minskar risken för slagskador, krosskador och andra personsador. Du kan släppa strömbrytaren när som helst för att stänga av drivenheten.

## Gängutrustning

10. Håll drivenheten med torra händer och anslut den.
11. Placera gänghuvudet över röret och stötta upp drivenheten enligt beskrivningen i avsnittet *Stå emot gängkrafter*.



Figur 13 – Starta gängan

12. Manövrera samtidigt PÅ/AV- omkopplaren och tryck handflatan mot gänghuvudets täckplatta för att starta gängningen. Bär inte handskar eller smycken och använd inte någon trasa eller liknande när du trycker på täckplattan – detta ökar risken för intrassling och personsador. När gängbackarna greppar röret skärs gängorna när gängbackarna drar sig själva på röränden.

Håll alltid drivenhetens handtag i ett fast grepp så att du kan hålla emot krafterna. Stödordningar kan halka vilket kan göra att drivenheten flyttar sig. Du kan släppa PÅ/AV-omkopplaren när som helst för att stänga AV drivenheten.

13. Sluta trycka på täckplattan och använd smörjapparat för att lägga på en riklig mängd RIDGID skärolja på området som ska gängas. Detta sänker gängmomentet, ökar gängkvaliteten och förlängre gängbackarnas livslängd.



Figur 14 – Rörgängning

14. Tryck in PÅ/AV-omkopplaren tills att röränden är i linje med gängbackarnas egg och släpp sedan omkopplaren. Låt drivenheten gå tills att den har stannat helt.



**Figur 15 – Röret i linje med gängbackarnas kant**

15. Sätt fram/back-omkopplaren i backläget och tryck in PÅ/AV-omkopplaren för att lossa gänghuvudet från det gängade röret. Håll drivenhetens handtag i ett fast grepp så att du kan hålla emot krafterna som utvecklas när gänghuvudet backas av.

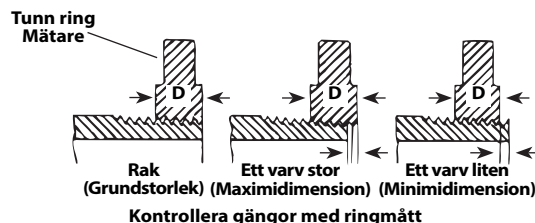
**OBS** Ändra inte läge på fram/back-omkopplaren förrän du har släppt PÅ/AV-omkopplaren. Låt drivenheten stanna helt innan du ändrar riktning med fram/back-omkopplaren. Detta minskar risken för skador på drivenheten.

16. Släpp omkopplaren och ta bort drivenheten och gänghuvudet från röret.  
 17. Torka av händerna och dra ur kontakten till maskinen.  
 18. Torka bort olja och skräp från gängorna och gänghuvudet, och var försiktig så att du inte skär dig på vassa spånor eller egg. Torka upp alla oljespill i arbetsområdet.

### Inspektera gängor

1. Ta bort olja, spånor och skräp från gängan.
2. Kontrollera gängan visuellt. Gängorna ska vara jämna och fullständiga, och ha rätt form. Vid problem som t.ex. trasiga gängor, tunna gängor eller ovala rör kanske gängan inte tätar ordentligt när den skruvas in. Se tabellen under "Felsökning" för hjälp med att diagnosticera dessa problem.
3. Kontrollera gängans mått. Det bästa sättet att kontrollera gängdimensionen är med ett ringmått. Ringmått finns i diverse modeller och deras användning kan avvika från den som visas i *Figur 16*.
  - Skruva fast ringmättet på gängan med handkraft.

- Se hur långt röränden går igenom ringmättet. Rörets ände ska vara i linje med ringmättets sida plus eller minus ett varv. Om gängan inte passar ordentligt – kapa av gängan, justera gänghuvudet och skär ytterligare en gänga. Om du använder en gänga som inte passar ordentligt kan läckor uppstå.



**Figur 16 – Kontroll av gängdimensionen**

- Om det inte finns något ringmått till hands för mätning av en gängdimension kan du använda en ny, ren gänga med känd dimension för att mäta gängdimensionen. NPT-gängor på 2" eller mindre ska gängas så att du får gänga 4 till 5 varv med handkraft. BSPT-gängor på 2" eller mindre dimensioner ska gängas så att du får 3 varv.

### Anvisningar för underhåll

#### ⚠ VARNING

**Kontrollera att omkopplaren PÅ/AV står i läge AV och att verktygets kabel dragits ur vägguttaget innan något underhåll eller några justeringar utförs.**

**Underhåll verktyget enligt dessa rutiner för att minska risken för personskador p.g.a. elchock, kläm- och skärskador eller annat.**

#### Rengöring

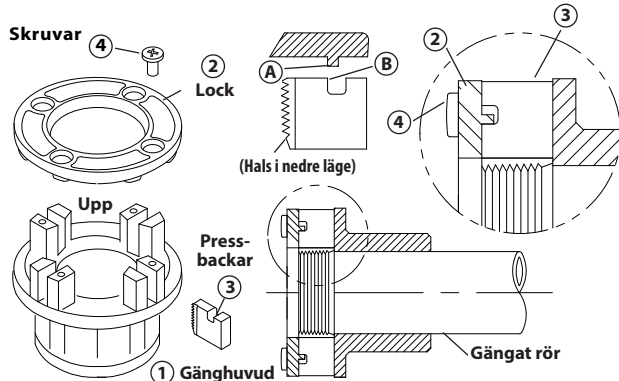
1. Töm ut spånorna efter gängningen från uppsamlingsbehållaren för smörjapparaten 418 och torka bort alla oljerester.
2. Torka av all olja, smuts och allt smörjfett från drivenheten, även från handtag och reglage. Rengör gripmekanismen i modell 690-I.
3. Torka av olja, smuts och fett från stödarmen. Rengör stödarmens kåftar med en stålborste om så behövs.
4. Ta bort spånor och smuts från gänghuvudena.

#### Byta gängbackar i gänghuvud 11-R

Det finns diverse olika gängbackar som är avsedda att användas i gänghuvuden av typ RIDGID 11-R. Se katalogen för uppgift om tillgänglighet.



1. Ta bort de fyra skruvarna (4) från höljet (2) och ta bort täckplattan.
2. Ta bort de gamla gängbackarna (3) från gänghuvudet.
3. Sätt in nya gängbackar på respektive platser – den numererade kanten uppåt. Siffrorna på gängbackarna måste stämma överens med siffrorna på gängbackarnas platser. Byt alltid ut hela uppsättningen gängbackar.



Figur 17 – Montera gängbackar i gänghuvud

4. Sätt tillbaka täckplattan och dra åt de fyra skruvarna lätt.
5. Placera gänghuvudet på det redan gängade röret tills att gängbackarna börjar gänga. Detta tvingar fram ett stopp på gängbackar (4) utåt mot tapparna (4) på täckplattan och ställer in dimensionen korrekt.
6. Dra åt de fyra skruvarna ordentligt. Ta bort det gängade röret och gör en testskärning.

### Byta kolborstar i motorn

Kontrollera kolborstarna var sjätte månad. Byt ut dem när de har slitits ned under 5/16" (8 mm).



Figur 18 – Montering av kolborstar

1. Koppla ur maskinen från strömkällan.
2. Skruva loss kolborstskydden (Figur 1 och 2). Ta bort och inspektera kolborstarna. Byt ut dem när de har slitits ned under 5/16" (8 mm). Kontrollera om kommutatorn är sliten. Lämna in verktyget på service om slitaget är högt.
3. Sätt tillbaka kolborstarna/montera nya kolborstar och dra åt borstskydden säkert.
4. Det bästa är att köra enheten på tomgång under 15 minuter i framåtriktningen åtföljt av 15 minuter i bakriktningen så att kolborstarna går emot kommutatorn före användning.

## Tillbehör

### ⚠ VARNING

För att minska risken för allvarliga personskador ska du bara använda tillbehör som har konstruerats och rekommenderats särskilt för användning med drivenheterna 600-I och 690-I, t.ex. de som anges nedan. Tillbehör som passar andra verktyg kan vara farliga om de används med drivenheterna 600-I and 690-I.

### Tillbehör för drivenheterna 600-I och 690-I

Katalognr	Beskrivning
45923	602 Stödarm
45928	692 Stödarm
46668	600-I Transportväska
46673	690-I Transportväska
10883	418 Smörjapparat med 1 gallon (3,8 liter) Gängolja
16703	425 1/8"-2 1/2" TRISTAND skruvstycke
36273	460-6 1/8"-6" TRISTAND skruvstycke
45543	115 V Kolborstar
45588	230 V Kolborstar

Mer information om tillbehör för det här verktyget hittar du i RIDGID-katalogen RIDGID och online på RIDGID.com

## Förvaring av maskinen

⚠ **VARNING** Drivenheter måste hållas inomhus eller väl skyddad i regnväder. Förvara maskinen i ett låst utrymme på behörigt avstånd från barn och personer som inte är vana vid maskiner. Den här maskinen kan orsaka allvarliga personskador i händerna på otränade användare.

## Service och reparationer

### ⚠ VARNING

**Felaktigt utförd service eller reparation kan göra maskinen osäker att använda.**

Se avsnittet "Anvisningar för underhåll" för uppgifter om service. Problem som inte beskrivs där måste hanteras av behörig RIDGID-tekniker.

Verktyget ska tas till ett oberoende auktoriserat RIDGID-servicecenter eller återsändas till fabriken. Använd endast RIDGID-reservdelar.

För information om närmaste oberoende auktoriserade RIDGID servicecenter eller om du har frågor om service/reparationer:

- Kontakta din lokala RIDGID-distributör.
- Besök RIDGID.com för att lokalisera närmaste RIDGID-representant.
- Kontakta Ridge Tool Technical Service Department på [rttechservices@emerson.com](mailto:rttechservices@emerson.com). Om du befinner dig i USA eller Kanada ringer du +1 (800) 519-3456.

## Gängolja

För information om användning och hantering av RIDGID® gängolja hänvisas till märkningen på förpackningen samt dess materialsäkerhetsdatablad (MSDS). Materialsäkerhetsdatablad kan fås från RIDGID.com eller via e-post på [rttechservices@emerson.com](mailto:rttechservices@emerson.com). Om du ringer från USA eller Kanada kan du även kontakta Ridge Tool Technical Service Department på telefon +1 (800) 519-3456.

## Bortskaffande

Delar av drivenheterna innehåller värdefulla material som kan återvinnas. Det finns företag som specialiserar sig på återvinning. Bortskaffa komponenterna i överensstämmelse med alla gällande bestämmelser. Kontakta återvinningsmyndigheten i din kommun för mer information.



**För EU-länder:** Elektrisk utrustning får inte kastas i hushållssoporna!

Enligt EU-direktivet 2012/19/EU om avfall som utgörs av eller innehåller elektriska eller elektroniska produkter måste elektrisk utrustning som inte längre kan användas samlas in separat och bortskaffas på ett miljömässigt korrekt sätt.

## Felsökning

SYMPTOM	TÄNKBARA ORSAKER	LÖSNING
<b>Maskinen startar inte.</b>	Kolborstarna rör inte vid rotorn.	Kontrollera kolborstarna, byt ut dem om de är slitna.
<b>Maskinen kan inte utföra gängning.</b>	Gängbackarna är slitna. Överbelastning på grund av slitna eller ovala gängor. Gängolja med dålig kvalitet eller otillräcklig mängd. Otillräcklig matningsspänning.	Byt ut gängbackarna. Se tänkbara orsaker nedan.  Använd tillräcklig mängd av RIDGID® gängolja. Kontrollera spänningsmatningen.
<b>Gnistbildning vid motorns kommutator.</b>	Otillräcklig kontakt mellan borstar och kommutator.  Kolborstarna rör inte vid kommutatorn som de ska. Kolborstarna kommer från fel tillverkare. Nya kolborstar.	Dra åt kolborstskydden och kontrollera att borstarna ligger an ordentligt mot kommutatorn. Byt ut slitna kolborstar och/eller rotor.  Använd endast kolborstar från RIDGID®. Låt kolborstarna köras in genom att köra enheten på tomgång under 15 minuter i fram- respektive backläget.
<b>Gänghuvudet börjar inte gänga.</b>	Gänghuvudet är inte i linje med rörets ände. Ingreppskraften leds inte till gänghuvudet på rätt sätt. Röret har kapats snett. Ut slitna eller trasiga gängbackar. Maskinen körs i fel riktning.  Gängbackarna sitter fel i gänghuvudet.	Håll mot gänghuvudets täckplatta för att starta gängningen. Se till att ingreppskraften går genom rörets centrumlinje. Kapa röränden rakt. Byt ut gängbackarna. Kontrollera fram/back-omkopplarens läge. Kontrollera att de är rätt inriktade i förhållande till tapparna.
<b>Slitna gängor.</b>	Skadade, kantstötta eller ut slitna gängbackar. Gängolja i dålig kvalitet eller otillräcklig mängd. Fel typ av gängback för materialet.  Dåligt rörmaterial/dålig rörkvalitet.	Byt ut gängbackarna.  Använd endast RIDGID® gängolja i tillräcklig mängd. Välj gängbackar i snabbstål, rostfritt stål eller legeringar som passar för uppgiften. Använd rör med högre kvalitet.
<b>Ovala eller krossade gängor.</b>	Rörväggen är för tunn.	Använd väggjocklek Schemalägga 40 eller kraftigare.
<b>Stödenheten vrids under gängning.</b>	Stödarmarnas gripdon är smutsiga. Stödarmen är felställd. Stödarmen är lös.	Rengör med stålborste. Rikta in stödarmen korrekt efter röret. Dra åt matarskraven.
<b>Tunna gängor.</b>	Gängbackarna sitter i fel ordning.	Sätt gängbackarna på rätt platser.



# Elektriske rørdrev

## 600-I/690-I



### **⚠ ADVARSEL!**

Læs denne brugervejledning grundigt, før du bruger dette værktøj. Det kan medføre elektrisk stød, brand og/eller alvorlige kvæstelser, hvis indholdet i denne vejledning ikke læses og følges.

#### Elektriske rørdrev 600-I/690-I

Notér serienummeret nedenfor, og opbevar produktserienummeret, som du finder på mærkepladen.

Seriennr.

--	--

## Indholdsfortegnelse

<b>Registreringsformular til maskinserienummer</b> .....	131
<b>Sikkerhedssymboler</b> .....	133
<b>Generelle sikkerhedsadvarsler for maskinværktøj</b> .....	133
Sikkerhed på arbejdsområdet .....	133
Elektrisk sikkerhed.....	133
Personlig sikkerhed .....	134
Brug og vedligeholdelse af maskinværktøj.....	134
Service .....	135
<b>Særlige sikkerhedsoplysninger</b> .....	135
Sikkerhed i relation til elektriske rørdrev .....	135
<b>Beskrivelse, specifikationer og standardudstyr</b> .....	135
Beskrivelse .....	135
Standardudstyr.....	136
Specifikationer .....	137
<b>Eftersyn før brug</b> .....	137
<b>Opsætning og drift</b> .....	138
Montering af gevindskærehoveder .....	139
Modstandsdygtighed over for gevindskæringskræfter .....	140
Gevindskæring .....	141
Kontrol af gevind .....	142
<b>Vedligeholdelsesvejledning</b> .....	143
Rengøring .....	143
Skift af bakker i 11-R gevindskærehoveder.....	143
Udskiftning af børster i motor .....	143
<b>Tilbehør</b> .....	144
<b>Maskinens opbevaring</b> .....	144
<b>Eftersyn og reparation</b> .....	144
<b>Gevindskæreolie</b> .....	144
<b>Bortskaffelse</b> .....	144
<b>Fejlfinding</b> .....	145
<b>EF-overensstemmelseserklæring</b> .....	Inderside af bagside
<b>Livstidsgaranti</b> .....	Bagside

\* Oversættelse af den originale brugsanvisning

## Sikkerhedssymboler

I denne brugervejledning og på selve produktet anvendes sikkerhedssymboler og signalord til at kommunikere vigtige sikkerhedsoplysninger. Dette afsnit indeholder yderligere oplysninger om disse signalord og symboler.



Dette er symbolet for en sikkerhedsmeddelelse. Symbolet bruges til at gøre dig opmærksom på eventuel fare for kvæstelser. Følg alle sikkerhedsmeddelelser, der efterfølger dette symbol, for at undgå eventuel kvæstelse eller dødsfald.



**FARE** FARE angiver en farlig situation, som vil resultere i død eller alvorlige kvæstelser, hvis den ikke undgås.



**ADVARSEL** ADVARSEL angiver en farlig situation, som kan resultere i død eller alvorlige kvæstelser, hvis den ikke undgås.



**FORSIGTIG** FORSIGTIG angiver en farlig situation, som kan resultere i mindre eller moderate kvæstelser, hvis den ikke undgås.



**BEMÆRK** BEMÆRK angiver oplysninger, der vedrører beskyttelse af ejendom.



Dette symbol betyder, at du bør læse brugervejledningen grundigt, før du anvender udstyret. Brugervejledningen indeholder vigtige oplysninger om sikker og korrekt brug af udstyret.



Dette symbol betyder, at du altid skal bære sikkerhedsbriller med sideværn eller beskyttelsesbriller, når du håndterer eller anvender dette udstyr, for at mindske risikoen for øjenskader.



Dette symbol angiver risiko for at fingre, hænder, tøj og andre genstande bliver klemt på eller mellem tandhjul eller andre roterende dele med knuseskader til følge.



Dette symbol angiver risiko for elektrisk stød.



Dette symbol advarer om, at maskinen kan vælte og forårsage slag- eller knusningsskader.



Dette symbol betyder, at du ikke må bære handsker under arbejdet med maskinen på grund af faren for indfiltrering.



Dette symbol betyder, at der skal anvendes en støtteanordning til at modstå gevindskæringskræfterne, forbedre kontrollen og nedsætte risikoen for slag- og knusningsskader og/eller andre skader.

## Generelle sikkerhedsadvarsler for maskinværktøj\*

### ADVARSEL

**Læs alle sikkerhedsadvarsler, anvisninger, illustrationer og specifikationer, der følger med dette maskinværktøj. Det kan medføre elektrisk stød, brand og/eller alvorlig personskade, hvis de i det følgende anførte anvisninger ikke overholdes.**

### GEM ALLE ADVARSLER OG ANVISNINGER TIL SENERE BRUG!

Termen "maskinværktøj" i advarslerne henviser til dit eldrevne (kablede) maskinværktøj eller batteridrevne (kabellose) maskinværktøj.

### Sikkerhed på arbejdsområdet

- **Hold arbejdsområdet rent og godt oplyst.** Rodede eller mørke områder forøger risikoen for ulykker.

- **Brug ikke maskinværktøjer i eksplosive atmosfærer, f.eks. ved tilstedeværelse af brændbare væsker, gasser eller støv.** Maskinværktøjer danner gnister, som kan antænde støv eller dampe.

- **Hold børn og andre uvedkommende personer væk under brugen af et maskinværktøj.** Du kan miste kontrollen over værktøjet, hvis du bliver distraheret.

### Elektrisk sikkerhed

- **Stikket på maskinværktøj skal svare til stikkontakten. Foretag aldrig ændringer af stikket på nogen måde. Brug ikke adapterstik sammen med jordede maskinværktøjer.** Uændrede stik og tilsvarende udtag mindsker risikoen for elektrisk stød.
- **Undgå kropskontakt med jordede overflader som f.eks. rør, radiatorer, komfurer og køleskabe.** Der er en forøget risiko for elektrisk stød, hvis din krop får jordforbindelse.

\* Teksten i afsnittet Generelle sikkerhedsadvarsler for maskinværktøj i denne vejledning er efter behov overtaget ordret fra den relevante standard UL/CSA 62841. Dette afsnit indeholder generel sikkerhedspraksis for mange forskellige typer maskinværktøj. Ikke alle forholdsregler gælder for hvert eneste værktøj, og nogle gælder ikke for dette værktøj.

- **Udsæt ikke maskinværktøjer for regn eller våde forhold.** Hvis der trænger vand ind i maskinværktøjet, forøges risikoen for elektrisk stød.
- **Håndter ledningen korrekt. Brug aldrig ledningen til at bære, trække eller afbryde maskinværktøjet. Hold ledningen væk fra varmekilder, olie, skarpe kanter eller bevægelige dele.** Beskadigede eller sammenfiltrede ledninger øger risikoen for elektrisk stød.
- **Når et maskinværktøj bruges udendørs, skal der benyttes en forlængerledning, der er egnet til udendørs brug.** Anvendelse af en ledning, der er egnet til udendørs brug, mindsker risikoen for elektrisk stød.
- **Hvis et maskinværktøj absolut skal bruges på et fugtigt sted, skal der bruges en strømkilde med fejlstrømsafbryder.** Brugen af en fejlstrømsafbryder mindsker risikoen for elektrisk stød.

## Personlig sikkerhed

- **Vær opmærksom, hold øje med det, du foretager dig, og brug almindelig sund fornuft ved brug af et maskinværktøj. Brug ikke et maskinværktøj, når du er træt eller påvirket af stoffer, alkohol eller medicin.** Et øjeblik uopmærksomhed, mens du bruger maskinværktøjer, kan medføre alvorlig personskade.
- **Brug personligt sikkerhedsudstyr. Brug altid beskyttelsesbriller.** Sikkerhedsudstyr, som f.eks. støvmaske, skridsikkert sikkerhedsfodtøj, hjelm eller høreværn, der benyttes under de relevante forhold, vil begrænse personskader.
- **Forebyg utilsigtet start. Kontroller, at kontakten er slået fra, inden strømkilden og/eller batteriet tilsluttes, værktøjet samles op eller transporteres.** Det kan medføre ulykker at bære maskinværktøjer med fingeren på kontakten eller strømføde maskinværktøjer, hvor kontakten er slået til.
- **Fjern evt. justeringsnøgle, inden der tændes for maskinværktøjet.** En nøgle, der er fastgjort til en roterende del på maskinværktøjet, kan medføre kvæstelser.
- **Brug ikke værktøjet i u hensigtsmæssige arbejdsstillinger. Hav altid ordentligt fodfæste og god balance.** Det giver bedre kontrol over maskinværktøjet i uventede situationer.
- **Brug fornuftigt arbejdstøj. Brug ikke løstsiddende tøj eller smykker. Hold hår, tøj og handsker væk fra bevægelige dele.** Løst tøj, smykker eller langt hår kan blive fanget i bevægelige dele.
- **Hvis der benyttes støvudsugnings- og opsamlingsenheder, skal det sikres, at disse er tilsluttet og bruges korrekt.** Brug af støvopsamling kan mindske støvrelaterede risici.
- **At være godt kendt med værktøjet som følge af hyppig anvendelse må ikke få dig til at slække på eller ignorere sikkerhedsprincipperne for værktøjet.** En skødesløs handling kan medføre alvorlig personskade i løbet af et splitsekund.

## Brug og vedligeholdelse af maskinværktøj

- **Brug ikke tvang mod maskinværktøjet. Brug det korrekte maskinværktøj til anvendelsesformålet.** Det korrekte maskinværktøj udfører opgaven bedre og mere sikkert i den hastighed, som det er blevet konstrueret til.
- **Brug ikke maskinværktøjet, hvis kontakten ikke tænder og slukker for værktøjet.** Ethvert maskinværktøj, som ikke kan styres med kontakten, er farligt og skal repareres.
- **Afbryd stikket fra strømkilden og/eller tag batterienheden ud (hvis muligt) af maskinværktøjet, inden der foretages justeringer, skiftes tilbehør eller maskinværktøjet lægges til opbevaring.** Disse forebyggende sikkerhedsforanstaltninger mindsker risikoen for utilsigtet start af maskinværktøjet.
- **Opbevar inaktive maskinværktøjer utilgængeligt for børn og lad aldrig personer, som ikke er fortrolige med maskinværktøjet eller disse anvisninger, bruge værktøjet.** Maskinværktøjer er farlige i hænderne på uøvede brugere.
- **Vedligehold maskinværktøj med tilbehør. Kontrolér, om bevægelige dele er fejljusteret eller binder, om dele er ødelagt, og om der er andre forhold, som kan påvirke maskinværktøjets funktion.** Hvis maskinværktøjet er beskadiget, skal det repareres inden brug. Mange ulykker skyldes, at maskinværktøjet er dårligt vedligeholdt.
- **Hold skæreværktøjer skarpe og rene.** Det er mindre sandsynligt, at korrekt vedligeholdt skæreværktøjer med skarpe skær binder, og de er nemmere at styre.
- **Brug maskinværktøj, tilbehør og indsatser osv. i overensstemmelse med disse anvisninger og under hensyntagen til arbejdsforholdene og det arbejde, der skal udføres.** Hvis maskinværktøjet anvendes til andre formål end, hvad det er beregnet til, kan det medføre farlige situationer.
- **Hold håndtag og gribeflader tørre, rene og fri for olie og fedt.** Glatte håndtag og gribeflader hindrer sikker håndtering og kontrol over værktøjet i uventede situationer.



## Service

- Få maskinværktøjet eftersat af en kvalificeret tekniker, og brug kun identiske erstatningsdele. På denne måde opretholdes maskinværktøjets sikkerhed.

## Særlige sikkerhedsoplysninger

### ⚠ ADVARSEL

Dette afsnit indeholder vigtige sikkerhedsoplysninger, der gælder specielt for dette værktøj.

For at reducere risikoen for elektrisk stød eller alvorlig personskade skal du læse disse forholdsregler omhyggeligt, før du bruger de elektriske rørdrev.

### GEM DENNE VEJLEDNING!

Opbevar denne håndbog ved maskinen til operatørens brug.

## Sikkerhed i relation til elektriske rørdrev

- Anvend altid støtteanordningen, der følger med værktøjet. Tab af kontrol under anvendelsen kan medføre personskade.
- Knap ærmer og jakker, når værktøjet anvendes. Ræk ikke henover værktøjet eller røret. Tøj kan blive fanget af røret eller værktøjet, hvilket kan føre til indfiltring.
- Kun én person skal styre arbejdsprocessen og værktøjets drift. Hvis der er flere personer involveret i processen kan det føre til utilsigtet anvendelse og personskade.
- Hold gulvet tørt og frit for glatte materialer såsom olie. Glatte gulve øger risikoen for ulykker.
- Bær ikke handsker under anvendelsen af værktøjet. Ræk ikke henover værktøjet eller røret. Handsker kan blive fanget af røret eller værktøjet, hvilket kan føre til indfiltring.
- Hold altid godt fast i det elektriske rørdrev for at modstå gevindskæringskræfterne, når der foretages gevindskæring eller gevindskærehovedet køres af røret, uanset om der anvendes en støtteanordning. Dette nedsætter risikoen for slag- og knusningsskader samt andre former for personskade.
- Følg anvisningerne for korrekt anvendelse af dette værktøj. Anvend ikke værktøjet til andre formål som for eksempel til at bore huller eller dreje spil. Andre anvendelser eller ændring af dette værktøj til andre anvendelser kan øge risikoen for alvorlig personskade.
- Brug ikke dette elektriske rørdrev, hvis ON/OFF-kontakten er defekt. Denne kontakt er en sikkerhedsanordning, der giver dig mulighed for at slå motoren fra ved at slippe kontakten.

- Brug ikke bakker, der er sløve eller beskadigede. Skarpe skæreværktøjer kræver et mindre moment, og det elektriske rørdrev er lettere at styre.
- Hold håndtag tørre, rene og fri for olie og fedt. Det giver bedre kontrol over værktøjet.
- Anvend udelukkende skærehoveder fra RIDGID til elektriske rørdrev fra RIDGID. Andre skærehoveder vil muligvis ikke passe ordentligt i det elektriske rørdrev og dermed øge risikoen for beskadigelse af udstyret og personskade.

Hvis du har spørgsmål angående dette RIDGID®-produkt:

- Kontakt den lokale RIDGID-forhandler.
- Gå ind på RIDGID.com for at finde dit lokale RIDGID-kontaktpunkt.
- Kontakt Ridge Tool's tekniske serviceafdeling på [rtctechservices@emerson.com](mailto:rtctechservices@emerson.com), eller ring på følgende nummer i USA og Canada: (800) 519-3456.

## Beskrivelse, specifikationer og standardudstyr

### Beskrivelse

RIDGID®-model 600-I og 690-I er dobbeltisolerede drev, der leverer kraft til gevindskæring af rør og rørledning. Frem- og tilbagegående rotation kan vælges med en glidekontakt, mens ON/OFF-funktionen styres via en to-trins momentkontakt.

Det elektriske rørdrev 600-I er konstrueret til anvendelsen af RIDGID 11-R Drop Head-gevindskærehoveder (1/8" - 1/4" rør). Det elektriske rørdrev 690-I er konstrueret til anvendelsen af RIDGID 11-R Drop Head-gevindskærehoveder (1/8" - 2" rør). Der kræves en adapter til anvendelse af det elektriske rørdrev 690-I med størrelserne 1/8" - 1/4". Adapteren og størrelserne 1 1/2" - 2" fastholdes i det elektriske rørdrev 690-I ved hjælp af en holdemekanisme.



Figur 1 – Elektrisk rørdrev model 600-I

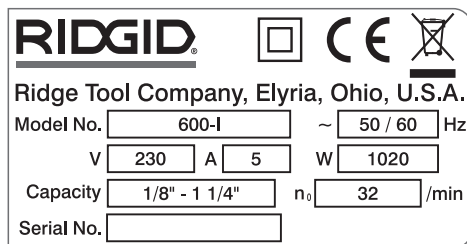


Figur 2 – Elektrisk rørdrev model 690-I



Figur 3 – 602/692 støttearme

Pladen med serienummeret på det elektriske rørdrev 600-I og 690-I sidder foruden på motorhuset. De sidste 4 cifre i serienummeret angiver produktionsmåned og -år (MMÅÅ).



Figur 4 – Maskinens serienummer

## Standardudstyr

De elektriske rørdrev 600-I/690-I omfatter følgende:

- Elektrisk rørdrev
- 690-I-adapter (kun 690-I)
- Brugervejledning

**BEMÆRK** Systemkonstruktøren og/eller -installatøren er ansvarlig for at udvælge passende materialer og installation samt formnings- og sammenføjningsmetoder. Valg af forkerte materialer og metoder kan føre til systemsvigt.

Rustfrit stål og andre korrosionsbestandige materialer kan blive kontamineret under installation, sammenføjning og formning. Denne kontaminering kan føre til korrosion og for tidlig svigt. Inden du påbegynder installation, skal du udføre en omhyggelig vurdering af materialers og metoders egnethed til de specifikke arbejdsforhold, inklusive kemiske forhold og temperaturforhold.

## Specifikationer

Parameter	Elektriske rørdrev 600-I	Elektriske rørdrev 690-I
Rørgvindskæringskapacitet	1/8 til 1 1/4 tommer (3 til 32 mm)	1/8 til 2 tommer (3 til 50 mm)
Gevindskærehovedfastholdelse	Ringfjeder	Holdemekanisme (1 1/2 - 2 tommer) Ringfjeder (1/8 - 1 1/4 tommer)
Venstregevind	Ja	Ja
Støttearm	Nr. 602, nr. 601	Nr. 692, nr. 691
Adapter	Ikke påkrævet.	Anvendes med 1/8" til 1 1/4" skærehoveder.
Motortype	Universalmotor, enfase	Universalmotor, enfase
Watt	1270 (120 V), 1020 (220-240 V)	1270 (120 V), 1020 (220-240 V)
Tilgængelig spænding/fase	120 V/1 PH, 220-240 V/1 PH	120 V/1 PH, 220-240 V/1 PH
Ampere	12 A (120 V), 5 A (220-240 V)	12 A (120 V), 5 A (220-240 V)
Driftshastighed (o/min.)	36 (120 V), 32 (220-240 V)	36 (120 V), 32 (220-240 V)
Betjeningsanordninger	F/R-glidekontakt To-trins ON/OFF-momentkontakt	F/R-glidekontakt To-trins ON/OFF-momentkontakt
Gearhoved	Permanent smurt støbt aluminium	Permanent smurt støbt aluminium
Længde	20 tommer (508 mm)	24,13 tommer (613 mm)
Bredde	3,75 tommer (95 mm)	4,75 tommer (121 mm)
Højde	7,5 tommer (191 mm)	8 tommer (203 mm)
Vægt	12,65 lbs (5,7 kg)	21,15 lbs (9,6 kg)
Lydtryk (L <sub>PA</sub> )*	83 dB(A), K=3	83 dB(A), K=3
Lydeffekt (L <sub>WA</sub> )*	94 dB(A), K=3	94 dB(A), K=3
Vibration*	< 2,5 m/s <sup>2</sup> , K=1,5	< 2,5 m/s <sup>2</sup> , K=1,5

\* Målingerne af lyd og vibration er foretaget i overensstemmelse med en standardiseret test i henhold til standarden IEC62841-1.

- Vibrationsniveauerne kan bruges til sammenligning med andre værktøjer og til foreløbig vurdering af eksponering.

- Lyd- og vibrationsemissionerne kan variere alt efter anvendelsesstedet og den specifikke anvendelse af disse værktøjer.

- De daglige eksponeringsniveauer for lyd og vibration skal evalueres for hver anvendelse, og de relevante sikkerhedsiltag skal implementeres efter behov.

Ved evalueringen af eksponeringsniveauerne bør det tidsrum, hvor et værktøj er slukket og ikke anvendes, tages i betragtning. Dette kan reducere eksponeringsniveauet for hele arbejdsperioden betydeligt.

## Eftersyn før brug

### ⚠ ADVARSEL



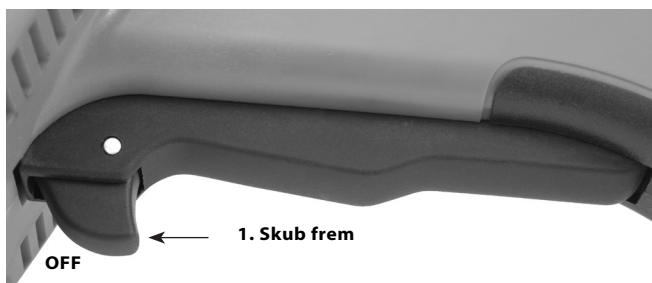
**Før du bruger det elektriske rørdrev, skal du altid efterse det og afhjælpe eventuelle problemer, for at reducere risikoen for alvorlig personskade forårsaget af elektrisk stød, knusningsskader osv. samt forhindre, at værktøjet beskadiges.**

1. Det elektriske rørdrev skal være afbrudt.
2. Fjern eventuel olie, fedt eller snavs fra det elektriske rørdrev og støtteanordningen, herunder håndtagene og betjeningsanordningerne. Dette hjælper ved eftersyn af maskinen og forhindrer, at maskinen eller betjenings-elementet glider ud af hånden på dig.

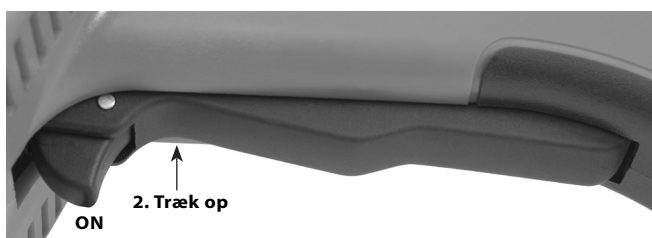
3. Kontrollér det elektriske rørdrev og støttearmen for følgende:

- Beskadigelse eller ændring af ledning og stik.
- Korrekt samling, vedligeholdelse og fuldstændighed.
- Beskadigede eller forkert justerede dele eller dele, der binder.
- Korrekt funktion af to-trins ON/OFF-momentkontakten (figur 5).
- At støttearmens gribetænder er rene og i god stand. Tænderne kan rengøres med en stålborste.
- At advarselmærkatens sidder på udstyret og kan læses.
- Eventuelle andre forhold, der kan forhindre sikker og normal funktion.

Hvis der konstateres problemer, må det elektriske rørdrev eller støtteanordningen ikke anvendes, før problemerne er blevet afhjulpet.



**Figur 5A – To-trins ON/OFF-momentkontakt**

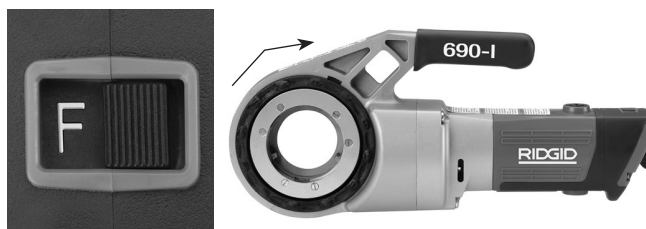


**Figur 5B – To-trins ON/OFF-momentkontakt**

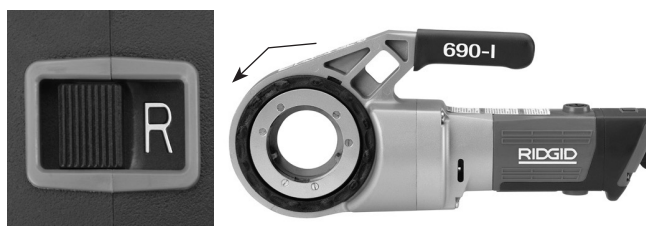
4. Kontrollér bakkernes skær for slid, deformation, spåner eller andre forhold. Sløve eller beskadigede skæreværktøjer betyder, at der skal bruges mere kraft til at skære, at kvaliteten af arbejdet forringes, og at risikoen for skader øges.
5. Kontrollér og vedligehold andet udstyr, der anvendes, i henhold til anvisningerne for at sikre, at det fungerer korrekt.
6. Følg anvisningerne under Opsætning og drift og kontrollér, at det elektriske rørdrev fungerer korrekt.
  - Flyt F/R-kontakten (Forward/Reverse (frem/tilbage)) til positionen F. Tryk på ON/OFF-kontakten, og slip den (figur 5). Kontrollér, at det elektriske rørdrev roterer i retningen med uret (se figur 6) og stopper, når kontakten slippes.
  - Gentag processen for den TILBAGEGÅENDE (mod uret) funktion. Hvis det elektriske rørdrev ikke roterer i den korrekte retning, eller hvis ON/OFF-kontakten ikke styrer maskinens funktion, skal maskinen repareres før brug.

**BEMÆRK** F/R-glidekontaktens stilling må kun ændres, når ON/OFF-udløserkontakten er sluppet. Lad det elektriske rørdrev stoppe helt, inden retningen ændres med F/R-glidekontakten. Dette nedsætter risikoen for, at det elektriske rørdrev beskadiges.

- Tryk på ON/OFF-kontakten, og hold den trykket ind. Kontrollér, om de bevægelige dele er fejljusteret, binder, har mislyde eller for andre unormale forhold. Slip ON/OFF-kontakten. Hvis der er nogen unormale forhold til stede, skal maskinen repareres, inden den bruges.



**Figur 6A – Kontaktstilling F (FORWARD (FREMADGÅENDE)) (med uret)**



**Figur 6B – Kontaktstilling R (REVERSE (TILBAGEGÅENDE)) (mod uret)**

7. Slip ON/OFF-kontakten, og afbryd maskinen med tørre hænder.

## Opsætning og drift

### ⚠ ADVARSEL



**Føretag opsætning og betjening af det elektriske rørdrev i henhold til disse procedurer for at nedsætte risikoen for personskade som følge af elektrisk stød, indfiltrering, slag, knusning eller andre årsager, og for at forhindre, at det elektriske rørdrev beskadiges.**

**Anvend en passende støtteanordning i henhold til disse anvisninger. Støtteanordninger forbedrer kontrollen og nedsætter risikoen for slag- og knusningsskader og/eller andre skader.**

**Hvis der anvendes en anden støtteanordning end den medfølgende støttearm, skal støtteanordningen reagere mod gearhuset eller ventilatorhuset. Støtteanordninger, der er i kontakt med motorhuset eller håndtaget, kan beskadige disse dele eller øge risikoen for personskade.**

**Hold altid godt fast i det elektriske rørdrev for at modstå gevindskæringskræfterne, når der foretages gevindskæring eller gevindskærehovedet køres af røret, uanset om der anvendes en støtteanordning. Dette nedsætter risikoen for slag- og knusningsskader samt andre personskader.**

**Brug ikke handsker eller løstsiddende tøj. Tilknap altid ærmer og jakker. Løstsiddende tøj kan blive viklet ind i roterende dele og forårsage knusnings- eller slagskader.**

**Understøt røret korrekt. Dette nedsætter risikoen for, at røret falder ned, tipping og alvorlig personskade.**

**Anvend ikke et elektrisk rørdrev, hvis ON/OFF-kontakten og F/R-kontakten ikke fungerer korrekt.**

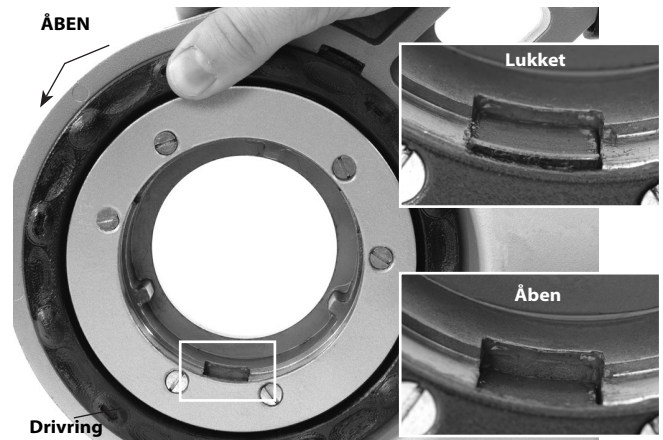
**Én person skal styre både arbejdsprocessen og ON/OFF-kontakten. Betjeningen må ikke udføres af flere end én person. Ved indfiltrering skal operatøren have kontrol over ON/OFF-kontakten.**

- Kontrollér arbejdsområdet for:
  - Tilstrækkelig belysning.
  - Brændbare væsker, dampe eller antændeligt støv. Hvis sådanne antændelseskilder findes, skal du undlade at arbejde i området, indtil de er identificeret og fjernet. De elektriske rørdrev er ikke eksplosionssikre og kan fremkalde gnister.
  - Et ryddet, plant, stabilt og tørt sted for alt udstyr og operatøren.
  - God ventilation. Undgå omfattende brug i små lukkede områder.
  - Korrekt ledningsforbundet elektrisk udtag med den korrekte spænding. Hvis du er i tvivl, skal du få kontakten kontrolleret af en autoriseret elektriker.
  - Fri passage til det elektriske udtag uden potentielle skadekilder for ledningen.
- Kontrollér røret, der skal gevindskæres og tilknyttede monteringer, og bekræft, at det valgte elektriske rørdrev er det rette værktøj til arbejdet. *Se Specifikationer.* Må ikke anvendes til at gevindskære andet end lige dele.
 

Udstyr til andre anvendelser findes i Ridge Tool-kataloget, online på RIDGID.com eller ved at ringe til Ridge Tool's tekniske serviceafdeling i USA og Canada på (800) 519-3456.
- Sørg for, at det udstyr, der skal benyttes, er blevet efterset forsvarligt.
- Klargør røret korrekt efter behov. Sørg for, at røret er skåret lige og grater er fjernet. Rør, der er skåret i en vinkel, kan beskadige bakkerne under gevindskæringen eller vanskeliggøre det at tilkoble gevindskærehovedet.

## Montering af gevindskærehoveder

- Montering af 1½" eller 2" gevindskærehoved eller adapter på 690-I:
  - Sørg for, at ON/OFF-kontakten er sluppet og det elektriske rørdrev er afbrudt.
  - Drej drivringen mod uret for at åbne holdemekanismen. Indfør gevindskærehovedet eller adapterens (såfremt påkrævet) notende helt i det elektriske rørdrev (figur 7).
  - Slip drivringen, og kontrollér, at gevindskærehovedet/adapteren sidder sikkert fast.
  - Afmontering foretages omvendt.



Figur 7 – Holdemekanisme, drivring i åben/lukket stilling



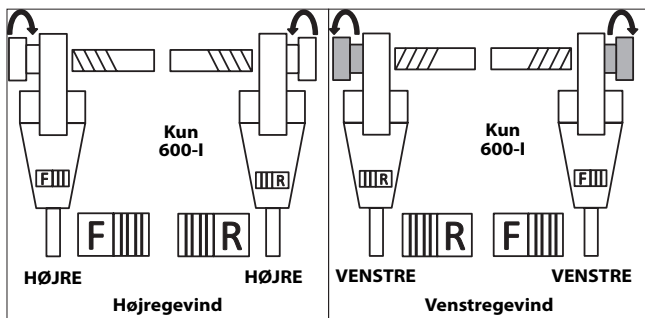
Figur 8 – Montering af adapter i 690-I

6. Montering af 1¼" og mindre gevindskærehoveder:
  - a. Sørg for, at ON/OFF-kontakten er sluppet, og at det elektriske rørdrev er afbrudt fra udtaget.
  - b. Monter adapteren i 690-I om nødvendigt (figur 8).
  - c. Isæt den ottekantede ende af 11-R gevindskærehovedet lige i det elektriske rørdrev, indtil den fastgøres med fjederringen. På 600-I kan gevindskærehovedet isættes i begge sider af det elektriske rørdrev. På 690-I kan gevindskærehovederne kun isættes fra adaptersiden.
  - d. Træk gevindskærehovedet af det elektriske rørdrev for at afmontere det. Brug om nødvendigt en gummihammer eller en træblok til at slå gevindskærehovedet ud. Bank ikke på gevindskærehovedet, da dette kan beskadige værktøjet.



**Figur 9 – Montering af gevindskærehoveder i det elektriske rørdrev 600-I**

7. Placer det elektriske rørdrevs F/R-glidekontakt i den ønskede stilling for højre- eller venstregevind. Se figur 10.



**Figur 10 – Retning for glidekontakt/gevindskærehoved**

8. Sørg for, at det rør, der skal gevindskæres, er stabilt og sikret, så det ikke tipper under anvendelsen. Anvend egnede rørholdere til at understøtte røret i længden.

9. Kontrollér niveauet på RIDGID gevindskæreeolien i RIDGID 418 smøreapparatet. Fjern spånbakken og kontrollér, at filteret er rent og helt nedsænket i olie. Udskift eller efterfyld olie efter behov. Anbring 418 smøreapparatet spand under den rørende, der skal gevindskæres.

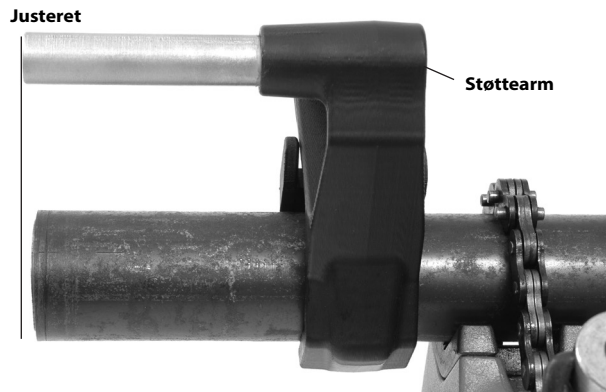
### Modstandsdygtighed over for gevindskæringskræfter

Anvendelse af den medfølgende støttearm:

- a. Anvend altid den medfølgende støttearm (støttearm 601 eller 602 til 600-I, støttearm 691 eller 692 til 690-I), medmindre den ikke kan anvendes på grund af pladsmangel eller andre begrænsninger. Støttearmen klemmes på røret og hjælper til med at modstå gevindskæringskræfterne.
- b. Placer støttearmen på røret, så enden af støttearmen er tilpasset i forhold til enden af røret og den øverste del af støttearmen ligger vandret (figur 11). Dette placerer støttearmen korrekt i forbindelse med gevindskæringen og forhindrer, at der kommer gevindskæreeolie ind i motoren (figur 12).
- c. Sørg for, at støttearmens kæber er justeret lige i forhold til røret og fastspænder støttearmen sikkert.



**Figur 11A – Placering af støttearmen**



Figur 11B – Placering af støttearmen



Figur 12 – Korrekt indstilling af det elektriske rørdrev

Når støttearmen ikke kan anvendes:

Ved gevindskæring af røret mens det sidder på plads eller under lignende forhold, kan støttearmen muligvis ikke anvendes på grund af manglende plads.

- a. Afmonter røret om muligt og foretag gevindskæring i en skruestik. Hvis dette ikke kan lade sig gøre, skal der anvendes andre støtteanordninger som en hjælp til at modstå gevindskæringskræfterne, f.eks. ved at placere det elektriske rørdrevs gearhus eller ventilatorhus mod en tilstødende støttestruktur (f.eks. vægge, vanger og bjælker). Dette kræver, at røret og omgivelserne kan modstå værktøjets vægt og gevindskæringskræfterne. Det kan være nødvendigt at tilføje midlertidige eller permanente rørstøtter eller strukturelementer.
- b. Ved højregevind vil gevindskærehovedet rotere med uret (set fra gevindskærehovedets forside). Kræfter, der opstår på baggrund af gevindskæringsmomentet, vil gå i den modsatte retning, dvs. mod uret. Retningen for rotationen og kræfterne vil være vendt om ved venstregevind. Støtteanordningen skal være opsat, så gevindskæringskræfterne optages ordentligt.

c. Motoren eller håndtaget på maskinværktøjet må ikke placeres mod tilstødende støttestrukturer for at modstå gevindskæringskræfterne, da det elektriske rørdrev kan blive beskadiget heraf.

d. Hold det elektriske rørdrev mod støttestrukturen, og undlad at sætte fingre eller hænder mellem det elektriske rørdrev og støttestrukturen. Når gevindskærehovedet køres af gevindet, skal der holdes godt fast i det elektriske rørdrev for at undgå, at kræfterne brækker gevindspånerne. Disse trin nedsætter risikoen for slag- og knusningsskader samt andre personskader. ON/OFF-kontakten kan til enhver tid slippes for at slå det elektriske rørdrev fra.

Hold altid godt fast i det elektriske rørdrev for at modstå kraften, når der foretages gevindskæring eller skærehovedet køres af røret, uanset om der anvendes en støtteanordning. Dette nedsætter risikoen for slag- og knusningsskader samt andre former for personskade. ON/OFF-kontakten kan til enhver tid slippes for at slå det elektriske rørdrev fra.

## Gevindskæring

10. Tilslut det elektriske rørdrev med tørre hænder.
11. Placer gevindskærehovedet over rørenden, og understøt det elektriske rørdrev som anvist i afsnittet *Modstandsdygtighed over for gevindskæringskræfter*.



Figur 13 – Påbegyndelse af gevindskæringen

12. Aktivér ON/OFF-kontakten og tryk med håndfladen mod gevindskærehovedets dæklade samtidigt for at starte gevindskæringen. Brug ikke handsker, hav ikke smykker på og lad være med at bruge en klud, mens der trykkes på dækladen – dette øger risikoen for indfiltrering og personskaade. Når bakkerne går i indgreb med røret, skæres der gevind i takt med, at bakkerne trækker sig selv på enden af røret.

Hold altid godt fast i det elektriske rørdrevs håndtag for at modstå kræfterne. Støtteanordninger kan glide og gøre det muligt for det elektriske rørdrev at flytte sig. ON/OFF-kontakten kan til enhver tid slippes for at slå det elektriske rørdrev fra.

13. Hold op med at trykke på dækladen, og brug smøreapparatet til at påføre rigeligt med RIDGID gevindskæroleolie på området, hvor der foretages gevindskæring. Dette nedsætter gevindskæringsmomentet, forbedrer kvaliteten af gevindet og forlænger bakkernes levetid.



**Figur 14 – Gevindskæring af rør**

14. Tryk på ON/OFF-kontakten, indtil enden af røret er i niveau med bakkernes skærkant, og slip herefter kontakten. Lad det elektriske rørdrev stoppe helt.



**Figur 15 – Rør i niveau med skærkant på bakker**

15. Vend F/R-glidekontakten, og aktivér ON/OFF-kontakten for at fjerne gevindskærehovedet fra det gevindskårne rør. Hold godt fast i det elektriske rørdrevs håndtag for at modstå de kræfter, der opstår, mens gevindskærehovedet køres tilbage.

**BEMÆRK** F/R-glidekontaktens stilling må kun ændres, når ON/OFF-kontakten er sluppet. Lad det elektriske rørdrev stoppe helt, inden retningen ændres med F/R-glidekontakten. Dette nedsætter risikoen for, at det elektriske rørdrev beskadiges.

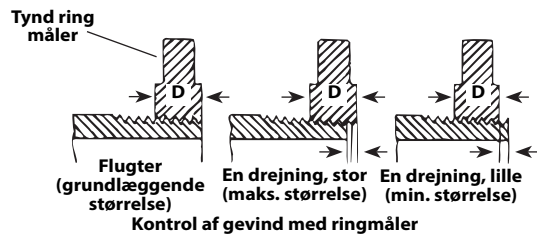
16. Slip kontakten, og fjern det elektriske rørdrev og gevindskærehovedet fra røret.  
17. Afbryd det elektriske rørdrev med tørre hænder.  
18. Tør olie og materialerester af gevindene og ud af gevindskærehovedet – pas på, at du ikke skærer dig på skarpe materialerester eller kanter. Oprens eventuelt oliespild i arbejdsområdet.

### Kontrol af gevind

1. Fjern eventuel olie, spåner eller materialerester fra gevindet.
2. Foretag en visuel kontrol af gevindet. Gevind skal være jævne og fuldstændige og have en god form. Hvis forhold som gevindrevner, tynde gevind eller urundt rør forekommer, vil gevindet muligvis ikke slutte tæt. Se "Fejlfinding" for at få hjælp til at diagnosticere disse forhold.
3. Kontrollér størrelsen på gevindet. Den foretrukne metode til kontrol af gevindstørrelsen er med en ringmåler. Der findes forskellige former for ringmålere, og anvendelsen heraf kan være anderledes i forhold til, hvad der er vist i figur 16.



- Skru ringmåleren fingerstramt på gevindet.
- Kig på, hvor langt rørenden stikker gennem ringmåleren. Rørenden skal flugte med siden af måleren plus/minus en drejning. Hvis gevindet ikke måles korrekt, så skær gevindet af, juster gevindskærehovedet og foretag en anden gevindskæring. Det kan forårsage utætheder, hvis der anvendes et gevind, der ikke måles korrekt.



Figur 16 – Kontrol af gevindstørrelse

- Hvis der ikke er en ringmåler til rådighed til kontrol af gevindstørrelsen, kan der anvendes en ny og ren montering, der svarer til dem, der anvendes til arbejdet, til at måle gevindstørrelsen. For 2" gevind og gevind under NPT skal gevindene skæres, så der er 4 til 5 drejninger til fingerstram tilkobling med monteringen, og for 2" gevind og gevind under BSPT skal det være 3 drejninger.

## Vedligeholdelsesvejledning

### ⚠ ADVARSEL

**ON/OFF-kontakten skal være sluppet og maskinen skal være afbrudt, inden der foretages vedligeholdelse eller justeringer.**

**Foretag vedligeholdelse af værktøjet i henhold til disse procedurer for at nedsætte risikoen for personskade som følge af elektrisk stød, indfiltrering og andre årsager.**

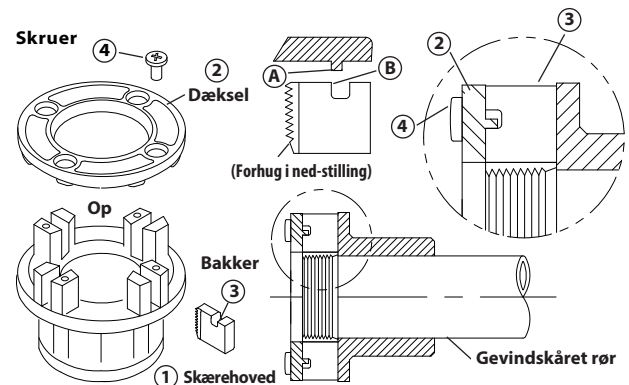
### Rengøring

1. Tøm gevindspånerne ud af 418 smøreapparatets spånbakke og tør eventuelle olierester ud, hver gang værktøjet har været i brug.
2. Tør eventuel olie, fedt, spåner eller snavs af det elektriske rørdrev, herunder på håndtagene og betjeningsanordningerne. Rengør holdemekanismen på 690-I.
3. Tør eventuel olie, fedt eller snavs af støtteamen. Rengør støtteamens kæber med en stålbørste om nødvendigt.
4. Fjern spåner og snavs fra gevindskærehovederne.

## Skift af bakker i 11-R gevindskærehoveder

Der findes en række forskellige bakker til montering i RIDGID 11-R gevindskærehovederne. Se udbuddet i kataloget.

1. Afmonter de fire skruer (4) fra afdækningen (2), og fjern dækpladen.
2. Afmonter de gamle bakker (3) fra gevindskærehovedet.
3. Isæt nye bakker i åbningerne – med den nummererede skærkant opad. Numrene på bakkerne skal svare til numrene på gevindskærehovedåbningerne. Udskift altid bakkerne i sæt.



Figur 17 – Montering af bakker i skærehoved

4. Sæt dækpladen på, og spænd de fire skruer en smule.
5. Sæt gevindskærehovedet på et allerede gevindskåret rør, indtil bakkerne påbegynder gevindskæringen. Dette tvinger stoppet på bakkerne (4) udad mod flige (4) på dækpladen og indstiller størrelsen korrekt.
6. Spænd de fire skruer fast. Fjern det gevindskårne rør, og foretag en testskæring.

## Udskiftning af børster i motor

Kontrollér motorens børster hver 6. måned. Udskift dem, når de er nedslidt til mindre end 5/16" (8 mm).



Figur 18 – Børstemontering

1. Afbryd maskinen fra strømkilden.
2. Skru børstedækslerne af (figur 1 og 2). Afmonter og kontrollér børsterne. Udskift dem, når de er nedslidt til mindre end 5/16" (8 mm). Undersøg kommutatoren for tegn på slid. Hvis den er meget slidt, skal maskinen til eftersyn.
3. Monter børsterne igen/monter nye børster, og spænd børstedækslerne fast.
4. Det er god skik at lade enheden køre ubenyttet i 15 minutter i fremadgående retning efterfulgt af 15 minutter i tilbagegående retning for at placere børsterne i forhold til kommutatoren inden brug.

## Tilbehør

### ⚠ ADVARSEL

**For at nedsætte risikoen for alvorlig personskade må der kun anvendes tilbehør, der er specielt konstrueret til og anbefalet til brug sammen med de elektriske rørdrev 600-I og 690-I, som vist nedenfor. Andet tilbehør, der er egnet til brug sammen med andre værktøjer, kan være farligt, når det bruges sammen med de elektriske rørdrev 600-I og 690-I.**

### Tilbehør til de elektriske rørdrev 600-I og 690-I

Katalognr.	Beskrivelse
45923	602 støttearm
45928	692 støttearm
46668	600-I transportkasse
46673	690-I transportkasse
10883	418 smøreapparat med 1 gallon (3,8 liter) Nu-Clear-olie
16703	425 1/8" - 2 1/2" trebenet skruestik TRISTAND
36273	460-6 1/8" - 6" trebenet skruestik TRISTAND
45543	115 V børster
45588	230 V børster

Yderligere information om tilbehør specielt til dette værktøj findes i RIDGID-kataloget og online på adressen RIDGID.com

## Maskinens opbevaring

**⚠ ADVARSEL** Elektriske rørdrev skal opbevares indendørs eller godt tildækket i regnfuldt vejr. Opbevar maskinen i et aflåst område uden for børns og uvedkommende personers rækkevidde. Disse maskiner kan forårsage alvorlig personskade i hænderne på uerfarne brugere.

## Eftersyn og reparation

### ⚠ ADVARSEL

**Ukorrekt service eller reparation kan medføre, at det ikke er sikkert at anvende maskinen.**

I afsnittet "Vedligeholdelsesvejledning" findes oplysninger om de fleste af denne maskines servicebehov. Problemer, der ikke behandles i dette afsnit, bør kun løses af en autoriseret servicetekniker fra RIDGID.

Værktøjet skal afleveres hos et uafhængigt RIDGID-autoriseret servicecenter eller sendes tilbage til fabrikken. Brug kun RIDGID-reservedele.

Hvis du ønsker oplysninger om det nærmeste uafhængige RIDGID-autoriserede servicecenter, eller du har spørgsmål angående service eller reparation:

- Kontakt din lokale RIDGID-forhandler.
- Gå ind på RIDGID.com for at finde dit lokale RIDGID-kontaktpunkt.
- Kontakt Ridge Tool's tekniske serviceafdeling på [rtctechservices@emerson.com](mailto:rtctechservices@emerson.com), eller ring på nummeret (800) 519-3456 i USA og Canada.

## Gevindskæreolie

Se mærkaterne på beholderen og databladet om materialsikkerhed (MSDS) for information om anvendelsen og håndteringen af RIDGID® gevindskæreolie. Databladet om materialsikkerhed findes på RIDGID.com eller fås ved at kontakte Ridge Tool's tekniske serviceafdeling på nummeret (800) 519-3456 i USA og Canada eller på adressen [rtctechservices@emerson.com](mailto:rtctechservices@emerson.com).

## Bortskaffelse

Dele af de elektriske rørdrev indeholder værdifulde materialer og kan genbruges. I lokalområdet findes der evt. virksomheder, som specialiserer sig i genbrug. Bortskaf komponenter i overensstemmelse med alle gældende regler. Kontakt det lokale renovationsvæsen for yderligere oplysninger.



**EU-lande:** Bortskaf ikke elektrisk udstyr sammen med husholdningsaffald!

I henhold til det europæiske direktiv 2012/19/EU om affald fra elektrisk og elektronisk udstyr og dets implementering i national lovgivning skal udtjent elektrisk udstyr indsamles særskilt og bortskaffes på en miljømæssig korrekt måde.

## Fejlfinding

SYMPTOM	MULIGE ÅRSAGER	LØSNING
<b>Maskinen kører ikke.</b>	Børsterne rører ikke armaturet.	Kontrollér børsterne, udskift dem, hvis de er slidte.
<b>Maskinen kan ikke foretage gevindskæring.</b>	Sløve bakker. Overbelastning som følge af revnede eller urunde gevind. Dårlig kvalitet eller en utilstrækkelig mængde gevindskæreolie. Utilstrækkelig netspænding.	Udskift bakkerne. Se mulige årsager nedenfor.  Anvend en tilstrækkelig mængde RIDGID® gevindskæreolie. Kontrollér forsyningsspændingen.
<b>Gnistdannelse ved motorkommutatoren.</b>	Utilstrækkelig kontakt mellem børster og kommutator. Børsterne er ikke i ordentlig berøring med kommutatoren. Børster af andet fabrikat. Nye børster.	Spænd børstedækslerne for at sikre, at børsterne trykkes fast på kommutatoren. Udskift slidte børster og/eller armatur.  Anvend udelukkende børster fra RIDGID®. Placer børsterne ved at lade enheden køre ubenyttet i frem- og tilbagegående retning.
<b>Gevindskærehovedet påbegynder ikke gevindskæringen.</b>	Gevindskærehovedet er ikke lige i forhold til enden af røret. Tilkoblingskraft ikke påført ordentligt på gevindskærehovedet. Rørenden er ikke skåret lige. Sløve eller defekte bakker. Maskinen løber i den forkerte retning. Bakkerne er ikke isat korrekt i gevindskærehovedet.	Tryk mod gevindskærehovedets dækplade for at starte gevindskæringen. Påfør tilkoblingskraft gennem rørets midterlinje. Tilskær rørenden lige. Udskift bakkerne. Kontrollér F/R-glidekontaktens position. Gevindstålet skal være placeret udad mod dækpladens flige.
<b>Revnede gevind.</b>	Beskadigede, hakkede eller slidte bakker. Ukorrekt eller utilstrækkelig gevindskæreolie.  Forkert type bakke til materialet.  Dårlig(t) rørmateriale/-kvalitet.	Udskift bakkerne. Anvend udelukkende RIDGID® gevindskæreolie og en tilstrækkelig mængde heraf. Vælg højhastigheds-bakker af rustfrit stål eller letmetal, der er egnet til denne anvendelse. Anvend rør af en bedre kvalitet.
<b>Urunde eller sammenpressede gevind.</b>	Rørvæggen er for tynd.	Anvend en vægtykkelse i henhold til Schedule 40 eller mere.
<b>Støtteanordningen drejer under gevindskæringen.</b>	Støttearmskæberne er snavsede. Støttearmen er ikke justeret korrekt. Støttearmen er ikke spændt.	Rengør dem med en stålbørste. Juster støttearmen lige i forhold til røret. Spænd ledeskruen.
<b>Tynde gevind.</b>	Bakkerne er ikke placeret i den korrekte rækkefølge.	Placerer bakkerne i den korrekte gevindskærehovedåbning.



# Håndgjengemaskiner

## 600-I/690-I



### **⚠ ADVARSEL!**

Les denne brukerhåndboken nøye før verktøyet tas i bruk. Hvis innholdet i håndboken ikke overholdes, kan det resultere i elektrisk støt, brann og/eller alvorlig personskade.

#### **600-I/690-I håndgjengemaskiner**

Skriv ned serienummeret nedenfor og ta vare på produktets serienummer som står på navneplaten.

Serie  
nr.

--	--

## Innholdsfortegnelse

<b>Huskested for maskinens serienummer</b> .....	147
<b>Sikkerhetsymboler</b> .....	149
<b>Generelle sikkerhetsadvarsler for el-verktøy</b> .....	149
Sikkerhet på arbeidstedet .....	149
Elektrisk sikkerhet .....	149
Personlig sikkerhet .....	150
Bruk og håndtering av el-verktøy .....	150
Vedlikehold .....	150
<b>Spesifikk sikkerhetsinformasjon</b> .....	151
Drivenhet sikkerhet .....	151
<b>Beskrivelse, spesifikasjoner og standardutstyr</b> .....	151
Beskrivelse .....	151
Standardutstyr .....	152
Spesifikasjoner .....	153
<b>Inspeksjon før bruk</b> .....	153
<b>Klargjøring og bruk</b> .....	154
Installere gjengeskjærehoder .....	155
Motstå gjengekrefter .....	156
Gjenging .....	157
Inspisere gjenger .....	158
<b>Instruksjoner for vedlikehold</b> .....	158
Rengjøring .....	158
Bytte gjengebakker i 11-R gjengeskjærehoder .....	158
Bytte børster i motoren .....	159
<b>Tilbehør</b> .....	159
<b>Oppbevaring av maskinen</b> .....	159
<b>Vedlikehold og reparasjon</b> .....	160
<b>Gjengeolje</b> .....	160
<b>Kassering</b> .....	160
<b>Feilsøking</b> .....	161
<b>CE-samsvarserklæring</b> .....	Inni permen bak
<b>Livstidsgaranti</b> .....	Bakside

\* Oversettelse av den originale veiledningen

## Sikkerhetsymboler

I denne brukerhåndboken og på produktet brukes det sikkerhetssymboler og signalord for å kommunisere viktig sikkerhetsinformasjon. Denne delen er gitt for å forbedreforståelsen av disse signalordene og symbolene.



Dette er sikkerhetsadvarsel-symbolet. Det brukes for å advare om potensiell fare for personskade. Følg alle sikkerhetsadvarsler med dette merket for å unngå personskade eller dødsfall.

**FARE** FARE indikerer en farlig situasjon som, om den ikke unngås, kan føre til dødsfall eller alvorlig personskade.

**ADVARSEL** ADVARSEL indikerer en farlig situasjon som, om den ikke unngås, kan føre til dødsfall eller alvorlig personskade.

**FORSIKTIG** FORSIKTIG indikerer en farlig situasjon som, om den ikke unngås, kan føre til lett eller moderat personskade.

**MERK** MERK indikerer informasjon relatert til beskyttelse av eiendom.



Dette symbolet betyr at du bør lese brukerhåndboken grundig før du tar i bruk utstyret. Brukerhåndboken inneholder viktig informasjon om trygg og riktig bruk av utstyret.



Dette symbolet betyr at man alltid bør bruke vernebriller med sidebeskyttelse når dette utstyret brukes for å redusere risikoen for øyeskade.



Dette symbolet betyr at det er risiko for at fingre, hender, klær og andre objekter kan bli sittende fast i eller mellom tannhjul eller andre roterende deler, noe som kan lede til klemskader.



Dette symbolet indikerer risiko for elektrisk støt.



Dette symbolet betyr risiko for at maskinen kan velte og forårsake slag- eller klemskader.



Dette symbolet betyr at du ikke må ha på hansker ved bruk av denne maskinen, dette for å unngå å bli sittende fast



Dette symbolet betyr bruk støtteinnretning for å motstå gjengekraften, forbedre kontrollen og redusere faren for slag, klemskader og/eller andre skader.

## Generelle sikkerhetsadvarsler for el-verktøy\*

### ADVARSEL

**Les alle sikkerhetsadvarsler, instruksjoner, illustrasjoner og spesifikasjoner som følger med dette el-verktøyet. Unnlattelse av å følge alle instruksjonene som er oppført nedenfor kan føre til elektrisk støt, brann og/eller alvorlig personskade.**

### TA VARE PÅ ALLE ADVARSLER OG INSTRUKSJONER FOR FREMTIDIG REFERANSE!

Begrepet «el-verktøy» i advarslene henviser til elektrisk verktøy med strømforsyning fra strømmettet (med strømledning) eller batteridrevet elektrisk verktøy (uten strømledning).

### Sikkerhet på arbeidsstedet

- **Hold arbeidsområdet ditt rent og godt opplyst.** Det oppstår lettere uhell på rotete eller mørke arbeidsområder.

- **Ikke bruk el-verktøy i omgivelser med eksplosive stoffer, som for eksempel i nærheten av brennbare væsker, gasser eller støv.** El-verktøy danner gnister som kan antenne støv eller damper.

- **Hold barn og andre personer på avstand mens el-verktøyet brukes.** Hvis du blir forstyrret, kan du miste kontrollen.

### Elektrisk sikkerhet

- **El-verktøyets støpsler må passe til stikkontakten. Støpselet må ikke modifiseres på noen måte. Bruk ikke adapterstøpsler med (jordede) el-verktøy.** Umodifisert støpsel og riktig stikkontakt reduserer faren for elektrisk støt.
- **Unngå berøring med jordede overflater som vannrør, radiatorer, komfyrer og kjøleskap.** Det er økt fare for elektrisk støt hvis kroppen din er jordet.
- **El-verktøy må ikke utsettes for regn eller fuktighet.** Risikoen for elektrisk støt øker hvis det kommer vann inn i et el-verktøy.

\*Teksten brukt i delen Generelle sikkerhetsadvarsler for el-verktøy i denne bruksanvisningen er ordrett, som påkrevd, fra den gjeldende standarden NEK UL/CSA 62841. Denne delen inneholder generell sikkerhetspraksis for mange ulike typer el-verktøy. Ikke alle forholdsregler gjelder for hvert verktøy, og noen gjelder ikke for dette verktøyet.

- **Strømledningen må håndteres forsiktig. Bruk ikke strømledningen til å bære eller trekke el-verktøyet, og trekk ikke støpselet ut av kontakten ved å dra i strømledningen. Hold strømledningen unna varme, olje, skarpe kanter og bevegelige deler.** Skadede eller flokete ledninger øker faren for elektrisk støt.
- **Hvis el-verktøyet brukes utendørs, må det brukes en skjøteledning som er egnet for bruk utendørs.** Bruk av en ledning som er egnet for bruk utendørs, reduserer faren for elektrisk støt.
- **Hvis el-verktøyet må brukes i fuktige omgivelser, må det brukes en strømforsyning med jordfeilbryter.** Jordfeilbryteren reduserer risikoen for elektrisk støt.

## Personlig sikkerhet

- **Vær årvåken og oppmerksom på det du gjør, og bruk sunn fornuft når du bruker el-verktøy. Bruk ikke el-verktøy hvis du er trett eller påvirket av narkotika, alkohol eller medisiner.** Et øyeblikks uoppmerksomhet når du bruker el-verktøy, kan føre til alvorlig personskade.
- **Bruk personlig verneutstyr. Bruk alltid øyebeskyttelse/vernebriller.** Bruk av verneutstyr som støvmaske, vernesko med antisklisåle, hjelm og hørselvern, avhengig av hvilken type el-verktøy du bruker og hvordan du bruker det, reduserer personskader.
- **Påse at du ikke starter utstyret utilsiktet. Påse at bryteren er slått AV før du kobler verktøyet til strømforsyningen og/eller batteriet, og før du plukker opp eller bærer verktøyet.** Faren for ulykker øker hvis du bærer el-verktøy med fingeren på bryteren eller tilfører strøm til verktøy som har bryteren slått PÅ.
- **Fjern eventuelle justeringsnøkler eller skiftenøkler før du slår på el-verktøyet.** Dersom en skiftenøkkel eller justeringsnøkkel er festet til en roterende del av el-verktøyet, kan det føre til personskade.
- **Ikke strekk deg for langt. Sørg for å ha sikkert fotfeste og god balanse hele tiden.** Dette gir bedre kontroll over el-verktøyet i uforutsette situasjoner.
- **Sørg for å være riktig kledd. Unngå løstsittende klær eller smykker. Hold hår, klær og hansker unna bevegelige deler.** Løse klær, smykker eller langt hår kan sette seg fast i bevegelige deler.
- **Hvis det er mulighet for tilkobling av enheter for støvuttrekking og støvoppsamling, må slike enheter kobles til og brukes riktig.** Bruk av støvoppsamlere kan redusere risiko forbundet med støv.
- **Ikke la erfaringer fra hyppig bruk av verktøy gjøre deg uvøren og overse sikkerhetsprinsippene for verktøy.** En uforsiktig handling kan forårsake alvorlig personskade på en brøkdel av et sekund.

## Bruk og håndtering av el-verktøy

- **Ikke bruk makt på el-verktøyet. Bruk riktig el-verktøy for jobben som skal gjøres.** Korrekt el-verktøy sikrer at jobben utføres bedre og sikrere og i samsvar med utstyrets bruksområde.
- **Ikke bruk el-verktøyet hvis bryteren ikke slår verktøyet på og av.** El-verktøy som ikke kan kontrolleres med bryteren, er farlig og må repareres.
- **Trekk ut støpselet fra kontakten og/eller koble batteriet fra el-verktøyet hvis dette kan tas av, før du foretar noen justeringer, bytter tilbehør eller plasserer el-verktøyet for oppbevaring.** Slike forebyggende sikkerhetstiltak reduserer risikoen for at el-verktøyet kan startes opp ved et uhell.
- **El-verktøy som går på tomgang må oppbevares utenfor barns rekkevidde. Personer som ikke er kjent med bruken av el-verktøyet eller med disse instruksjonene, må ikke bruke el-verktøyet.** El-verktøy kan være farlige hvis de brukes av personer som ikke er kjent med bruken.
- **Vedlikehold av el-verktøy og tilbehør. Kontroller at det ikke er feiljusteringer eller kiling i bevegelige deler, og at det ikke er brudd på deler eller andre forhold som kan påvirke driften av el-verktøyet. Hvis el-verktøyet er skadet, må det repareres før bruk.** Mange ulykker skyldes dårlig vedlikeholdte el-verktøy.
- **Skjæreverktøy må holdes skarpe og rene.** Riktig vedlikeholdt skjæreverktøy med skarpe skjærekanten vil redusere risikoen for kiling og er lettere å kontrollere.
- **Bruk el-verktøy, tilbehør og verktøybits osv. i samsvar med disse instruksjonene, og ta hensyn til forholdene på arbeidsstedet og arbeidet som skal utføres.** Bruk av el-verktøyet til andre formål enn de er ment for kan føre til en farlig situasjon.
- **Hold håndtak og gripeflater tørre, rene og fri for olje og fett.** Glatte håndtak og gripeflater gir ikke sikker håndtering og kontroll over verktøyet i uventede situasjoner.

## Vedlikehold

- **El-verktøyet skal vedlikeholdes av en kvalifisert reparatør, og det skal bare brukes identiske reservedeler.** Dette vil sikre at el-verktøyets sikkerhet opprettholdes.



## Spesifikk sikkerhetsinformasjon

### ⚠ ADVARSEL

Denne delen inneholder viktig sikkerhetsinformasjon som gjelder spesielt for dette verktøyet.

Les disse forholdsreglene nøye før håndgjengemaskinene brukes, for å redusere faren for elektrisk støt eller alvorlig personskade.

### TA VARE PÅ DISSE INSTRUKSJONENE!

Oppbevar denne håndboken sammen med maskinen slik at operatøren kan ha den for hånden.

#### Drivenhet sikkerhet

- **Bruk alltid støtteenheten som følger med verktøyet.** Hvis du mister kontrollen under bruk, kan det resultere i personskader.
- **Hold ermer og jakker kneppet under drift av verktøyet. Ikke strekk deg over verktøyet eller røret.** Klær kan komme borti røret eller verktøyet, noe som kan resultere i at de vikler seg fast.
- **Kun én person må kontrollere både arbeidet og driften av verktøyet.** Ekstra personer involvert i prosessen kan resultere i ikke tiltenkt drift og personskader
- **Hold gulv tørre og fri for glatte materialer som olje.** Det oppstår lettere uhell på glatte gulv.
- **Ikke bruk hansker når du opererer verktøyet. Ikke strekk deg over verktøyet eller røret.** Hansker kan komme borti røret eller verktøyet, noe som kan resultere i at de vikler seg fast.
- **Hold alltid drivenheten godt fast under gjenging eller når gjengehode trekkes ut av røret for å stå imot gjengekrefter, uansett bruk av støtteenhet.** Det vil redusere risikoen for slag, knusing og andre skader.
- **Følg instruksjonene for riktig bruk av denne maskinen. Må ikke brukes til andre formål, som å bore hull eller dreie vinsjer.** Å bruke eller endre denne maskinen til andre formål, kan øke risikoen for alvorlige skader.
- **Ikke bruk denne drivenheten hvis PÅ/AV-bryteren er ødelagt.** Denne bryteren er en sikkerhetsinnretning som gjør at du kan slå av motoren ved å slippe bryteren.
- **Ikke bruk sløve eller skadde gjengebakker.** Skarpe kutteverktøy krever mindre moment og drivenheten blir enklere å kontrollere.
- **Hold håndtakene tørre, rene og fri for olje og fett.** Dette gir bedre kontroll over verktøyet.

- **Bruk kun RIDGID gjengehoder med RIDGID drivenhet.** Andre gjengehoder passer muligens ikke riktig i drivenheten, noe som øker risikoen for skade på utstyret og personskader.

Hvis du har spørsmål angående dette RIDGID®-produktet:

- Kontakt din lokale RIDGID-forhandler.
- Gå til RIDGID.com for å finne din lokale RIDGID-kontakt.
- Kontakt Ridge Tools tekniske serviceavdeling på e-postadressen [rtctechservices@emerson.com](mailto:rtctechservices@emerson.com), eller ring (800) 519-3456 i USA og Canada.

## Beskrivelse, spesifikasjoner og standardutstyr

### Beskrivelse

RIDGID® modell 600-I og 690-I håndgjengemaskiner er dobbeltisolerte håndholdte maskiner som gir kraft til gjenging av rør og kanaler. Det kan velges rotasjon fremover eller bakover med en skyvebryter, mens PÅ/AV styres av en totrinns momentan kontaktbryter.

600-I håndgjengemaskin er designet for å bruke RIDGID 11-R drophead gjengeskjærehoder (1/8" – 1/4" rør). 690-I håndgjengemaskin er designet for å bruke RIDGID 11-R drophead gjengeskjærehoder (1/8" – 2" rør). En adapter er nødvendig for å bruke 690-I håndgjengemaskin med 1/8" – 1/4"-størrelsene. Adapteren og 1/2" – 2"-størrelsene holdes i 690-I håndgjengemaskin med en holdemekanisme.



Figur 1 – modell 600-I håndgjengemaskin



**Figur 2 – modell 690-I håndgjengemaskin**



**Figur 3 – 602/692 støttearmer**

Serienummerplatene til maskinene 600-I håndgjengemaskin og 690-I håndgjengemaskin befinner seg under motorkapslingen. De siste 4 tallene i serienummeret indikerer måneden og året maskinen ble produsert (MMYY).

<b>RIDGID</b>			
Ridge Tool Company, Elyria, Ohio, U.S.A.			
Model No.	600-I	~	50 / 60 Hz
V	230	A	5
Capacity	1/8" - 1 1/4"	n <sub>o</sub>	32 /min
Serial No.			

**Figur 4 – maskinserienummer**

## Standardutstyr

Modellen 600-I/690-I håndgjengemaskin leveres med følgende artikler:

- Håndgjengemaskin
- 690-I-adapter (kun 690-I)
- Bruksanvisning

**MERK** Ansvaret for valg av passende materialer og montering, sammenslåing og forming av metoder hviler hos systemutformerer/-installatøren. Valg av upassende materiale og metoder kan føre til systemfeil.

Rustfritt stål og andre korrosjonsbestandige materialer kan bli kontaminerte under installasjon, sammenslåing og forming. Denne kontaminasjonen kan føre til korrosjon og for tidlig svikt. Nøye evaluering av materialer og metoder for spesifikke vedlikeholdsforhold, deriblant kjemiske og temperaturmessige, bør utføres før installasjon av noe slag.

## Spesifikasjoner

Parameter	600-I håndgjengemaskin	690-I håndgjengemaskin
Rørgjengingskapasitet	1/8 til 1 1/4 tommer (3 til 32 mm)	1/8 til 2 tommer (3 til 50 mm)
Gjengeskjærehodeholder	Ringfjær	Holdemekanisme (1 1/2 – 2 tommer) Ringfjær (1/8 – 1 1/4 tommer)
Venstregjenger	Ja	Ja
Støttearm	Nr. 602, nr. 601	Nr. 692, nr. 691
Adapter	Ikke nødvendig.	Brukt med 1/8" til og med 1 1/4" gjengeskjærehoder.
Motortype	Universal motor, énfase	Universal motor, énfase
Watt	1270 (120 V), 1020 (220-240 V)	1270 (120 V), 1020 (220-240 V)
spenning/fase tilgjengelig	120 V/1PH, 220-240 V/1PH	120 V/1PH, 220-240 V/1PH
Ampere	12 A (120 V), 5 A (220-240 V)	12 A (120 V), 5 A (220-240 V)
Driftshastighet (o/min)	36 (120 V), 32 (220-240 V)	36 (120 V), 32 (220-240 V)
Kontrollelementer	Skyvebryter fremover/bakover PÅ/AV totrinns momentan kontaktbryter	Skyvebryter fremover/bakover PÅ/AV totrinns momentan kontaktbryter
Girhode	Trykkstøpt aluminium permanent smurt	Trykkstøpt aluminium permanent smurt
Lengde	20 tommer (508 mm)	24,13 tommer (613 mm)
Bredde	3,75 tommer (95 mm)	4,75 tommer (121 mm)
Høyde	7,5 tommer (191 mm)	8 tommer (203 mm)
Vekt	12,65 lbs (5,7 kg)	21,15 lbs (9,6 kg)
Lydtrykk (L <sub>PA</sub> )*	83 dB(A), K=3	83 dB(A), K=3
Lydeffekt (L <sub>WA</sub> )*	94 dB(A), K=3	94 dB(A), K=3
Vibrasjon*	<2,5 m/s <sup>2</sup> , K=1,5	<2,5 m/s <sup>2</sup> , K=1,5

\* Lyd- og vibrasjonsmål blir målt i henhold til en standardisert test iht. standarden NEK IEC62841-1.

- Vibrasjonsnivåer kan brukes for sammenligning med andre verktøy og for foreløpig vurdering av eksponering.

- Lyd- og vibrasjonsemisjoner kan variere ut fra sted og spesifikk bruk av disse verktøyene.

- Daglige eksponeringsnivåer for lyd og vibrasjon må evalueres for hver bruk, og egnede sikkerhetstiltak må iverksettes om nødvendig. Evaluering av eksponeringsnivåer må ta tiden et verktøy er slått av og ikke i bruk, med i beregningene. Dette kan redusere eksponeringsnivået betraktelig i løpet av den totale arbeidsperioden.

## Inspeksjon før bruk

### ⚠ ADVARSEL

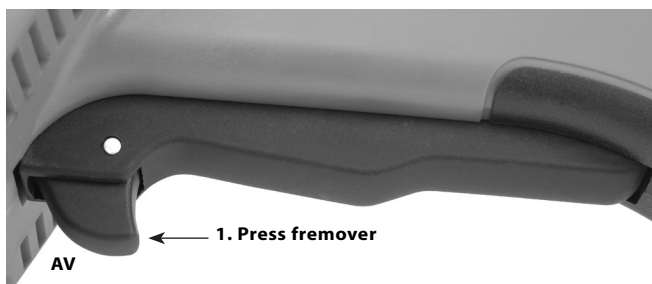


**Inspiser håndgjengemaskinen før hver bruk og korrigjer eventuelle problemer for å redusere risikoen for alvorlig skade fra elektrisk støt, klemskader og andre årsaker, og forhindre skade på håndgjengemaskinen.**

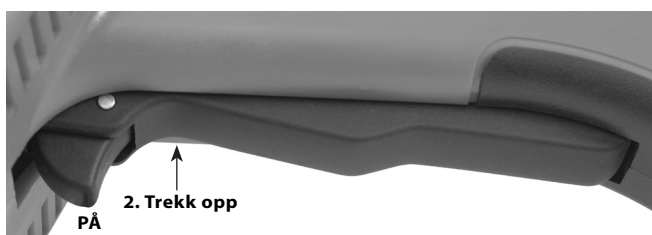
1. Sørg for at støpselet til håndgjengemaskinen er trukket ut.
2. Rengjør all olje, fett eller urenheter fra håndgjengemaskinen og støtteenheten, inkludert håndtak og betjeningselementer. Dette gjør inspeksjonen lettere og bidrar til å hindre at du mister taket på maskinen eller betjeningselementet.

3. Inspiser håndgjengemaskinen og støttearmen for følgende:
  - Skade eller endring på ledning og støpsel.
  - Korrekt montering, vedlikehold og at maskinen er komplett.
  - Skadede, skjeve eller kilende deler.
  - Korrekt drift av den totrinns momentane kontaktbryteren PÅ/AV (Figur 5).
  - At støttearmens gripetagger er rene og i god tilstand. Taggene kan rengjøres med en stålborste.
  - At varselsmerkene er til stede og kan leses.
  - Eventuelle andre tilstander som kan hindre trygg og normal drift.

Hvis du finner andre feil, må du ikke bruke håndgjengemaskinen eller støtteenheten før feilene er reparert.



Figur 5A – totrinns momentan kontaktbryter PÅ/AV

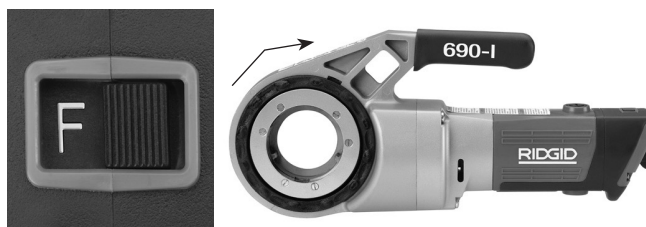


Figur 5B – totrinns momentan kontaktbryter PÅ/AV

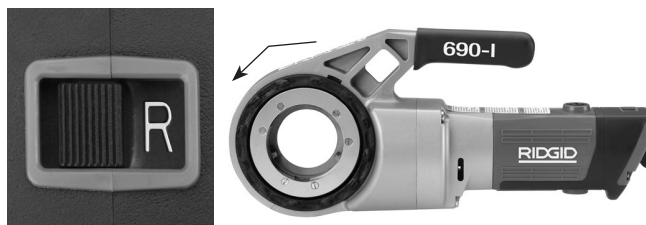
4. Inspiser gjengebakkenes kuttakanter for slitasje, skjevhet, hakk eller andre problemer. Sløve eller skadede skjæreverktøy øker mengden påkrevd makt, gir gjenger av dårlig kvalitet og øker sjansen for personskade.
5. Inspiser og vedlikeholdt alt annet utstyr som brukes iht. egne instruksjoner for å sørge for at det fungerer skikkelig.
6. Kontroller at håndgjengemaskinen fungerer korrekt i henhold til instruksjoner for oppsett og drift.
  - Flytt F/R (Forward/Reverse, fremover/bakover)-bryteren til posisjonen F. Trykk inn og slipp PÅ/AV-bryteren. (Figur 5). Bekreft at håndgjengemaskinen roterer mot høyre (med klokken) (Se Figur 6) og stopper når bryteren slippes.
  - Gjenta prosessen for REVERSE-drift (bakover, mot venstre/klokken). Hvis håndgjengemaskinen ikke roterer i korrekt retning eller PÅ/AV-bryteren ikke kontrollerer maskindriften, må ikke maskinen brukes før den har blitt reparert.

**MERK** Posisjonen til F/R-bryteren må kun endres når PÅ/AV-bryteren ikke er trykket inn. La håndgjengemaskinen stanse helt før retningen endres med F/R-bryteren. Dette reduserer risikoen for skade på håndgjengemaskinen.

- Trykk inn og hold PÅ/AV-bryteren. Inspiser bevegelige deler for skjevinnstilling, fastkiling, merkelige lyder eller andre uvanlige tilstander. Slipp PÅ/AV-bryteren. Hvis uvanlige tilstander oppdages, må ikke maskinen brukes før det har blitt reparert.



Figur 6A – F (FORWARD, fremover) (med klokken) bryterstilling



Figur 6B – R (REVERSE, bakover) (mot klokken) bryterstilling

7. Slipp PÅ/AV-bryteren og trekk ut støpselet til maskinen med tørre hender.

## Klargjøring og bruk

### ⚠ ADVARSEL



**Sett opp og bruk håndgjengemaskinen i henhold til disse prosedyrene for å redusere risikoen for skade fra elektrisk støt, floker, slag, knuseskader og andre årsaker, og for å forhindre skade på håndgjengemaskinen.**

**Bruk en egnet støtteenhet i henhold til disse instruksene. Støtteenheter forbedrer kontrollen og reduserer risikoen for slag, knusing og/eller andre skader.**

**Hvis det brukes en støtteenhet annet enn den medleverte støttearmen, må støtteenheten reagere mot girkaplingen eller viftekaplingen. Støtteenheter som får kontakt med motorkaplingen eller håndtaket kan skade disse delene eller øke risikoen for personskade.**

**Hold alltid håndgjengemaskinen godt fast under gjenging eller når gjengeskjærehodet tas bort fra røret, for å motstå gjengekrefter, uansett hvilken støtteenhet som brukes. Dette vil redusere risikoen for slag-/klemskader og andre skader.**

**Ikke bruk hansker eller løstsittende klær. Knepp igjen ermer og jakke. Løstsittende klær kan bli viklet inn i roterende deler og forårsake slag- og klemskader.**

**Støtt røret godt. Dette vil redusere risikoen for at røret faller eller velter samt andre alvorlige skader.**

**Ikke bruk en håndgjengemaskin uten korrekt fungerende PÅ/AV-bryter og F/R-bryter.**

**Én person må kontrollere både arbeidsprosessen og PÅ/AV-bryteren. Må ikke brukes av mer enn én person. Hvis innvikling skulle oppstå, må operatøren ha kontroll over PÅ/AV-bryteren.**

1. Kontroller om arbeidsstedet har følgende:

- Tilstrekkelig lys
- Brennbare vesker, damper eller støv som kan antennes. Om dette er til stede, må du ikke bruke stedet før kildene er identifisert og problemet løst. Håndgjengemaskiner er ikke eksplosjonssikre og kan forårsake gnister.
- Ryddig, jevnt, stabilt og tørt sted for alt utstyr og operatøren.
- God ventilasjon. Ikke bruk maskinen i større omfang på små, innelukkede områder.
- Ordentlig jordet stikkontakt med riktig spenning. Be en autorisert elektriker undersøke stikkontakten hvis du er i tvil.
- Fri passasje til stikkontakten der det ikke er noe som kan skade strømledningen.

2. Inspiser røret som skal gjenges og tilhørende koblinger og bekreft at valgte håndgjengemaskin er korrekt verktøy for arbeidet. *Se spesifikasjoner.* Må ikke brukes til å gjenge noe annet enn rett lager.

Utstyr for annet bruk finner du i Ridge Tool-katalogen, på Internett på RIDGID.com eller ved å ringe Ridge Tools tekniske serviceavdeling i Amerika og Canada på (800) 519-3456.

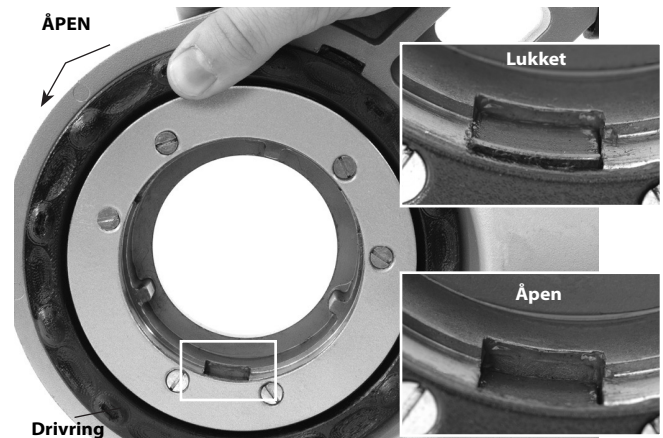
3. Sørg for at utstyret som skal brukes er skikkelig kontrollert.
4. Forbered rørene korrekt etter behov. Sørg for at røret er vinkelrett kuttet og avgradert. Rør kuttet i en vinkel kan skade gjengebakkene under gjenging eller forårsake vanskeligheter med å få gjengeskjærehodet til å få feste.

### Installere gjengeskjærehoder

5. Installere 1½" eller 2" gjengeskjærehode eller adapter i 690-I:
  - a. Sørg for at PÅ/AV-bryteren er frigitt og håndgjengemaskinen er koblet fra strømmen.
  - b. Roter drivringen mot venstre (mot klokken) for å åpne holdemekanismen. Sett gjengeskjærehodet eller adapteren helt inn (om nødvendig) med sporenden inn i håndgjengemaskinen. (Figur 7).

c. Slipp drivringen og bekreft at gjengeskjærehodet/adapteren sitter godt fast.

d. Reverser prosessen for å fjerne gjengeskjærehodet/adapteren.



**Figur 7 – holdemekanisme, drivring i åpen/lukket stilling**

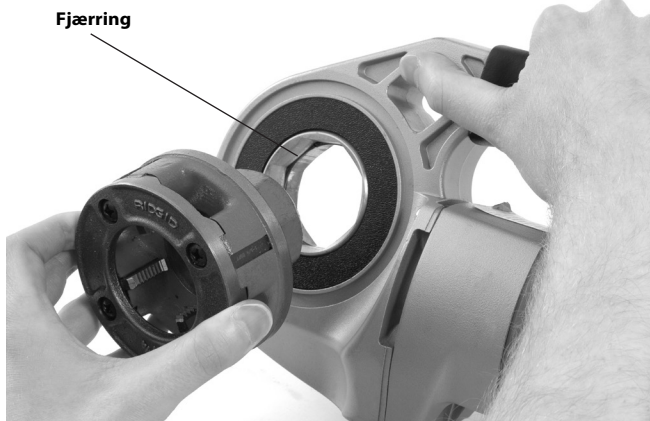


**Figur 8 – installere adapter i 690-I**

6. Installere 1¼" og mindre gjengeskjærehoder:

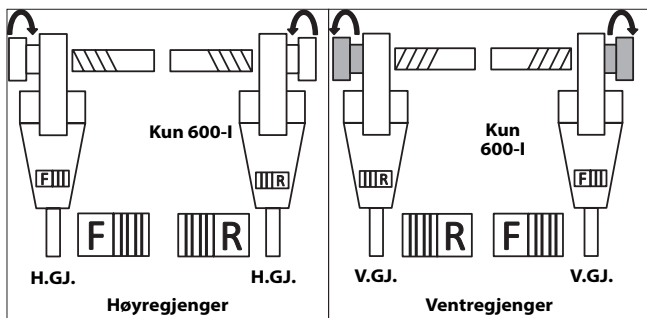
- a. Sørg for at PÅ/AV-bryteren er frigitt og at håndgjengemaskinen er koblet fra strømuttaket.
- b. Om nødvendig, installer adapteren i 690-I (Figur 8).
- c. Sett den åttekantede enden av 11-R gjengeskjærehodet vinkelrett inn i håndgjengemaskinen til den er sikret med fjærringen. På 600-I kan gjengeskjærehodet settes inn på begge sider av håndgjengemaskinen. På 690-I kan gjengeskjærehodene kun settes inn fra adaptersiden.

d. Trekk gjengeskjærehodene fra håndgjengemaskinen for å fjerne dem. Om nødvendig, bruk en myk hammer eller en trebit for å banke ut gjengeskjærehodet. Ikke slå på gjengeskjærehodet, dette kan skade verktøyet.



**Figur 9 – installere gjengeskjærehoder i 600-I håndgjengemaskin**

7. Still F/R-bryteren på håndgjengemaskinen inn for ønsket gjenging mot høyre eller venstre. Se Figur 10.



**Figur 10 – skyvebryter/gjengeskjærehode orientering**

8. Sørg for at røret som skal gjenges er stødig og sikret for å forhindre velting under bruk. Bruk passende rørholdere for å støtte rørlengden.
9. Kontroller nivået av RIDGID gjengeskjæreolje i RIDGID 418 oljesmøreren. Fjern flisebrettet og bekreft at filtersilen er ren og helt nedsenket i olje. Bytt eller fyll på med olje om nødvendig. Plasser 418 oljesmørerbeholderen under rørenden som skal gjenges.

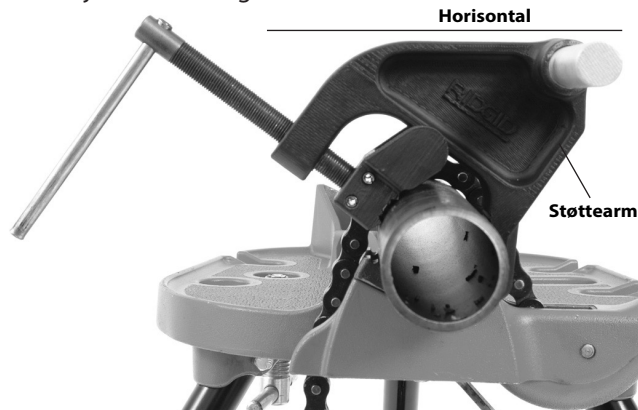
## Motstå gjengekrefter

Bruke den medfølgende støttearmen:

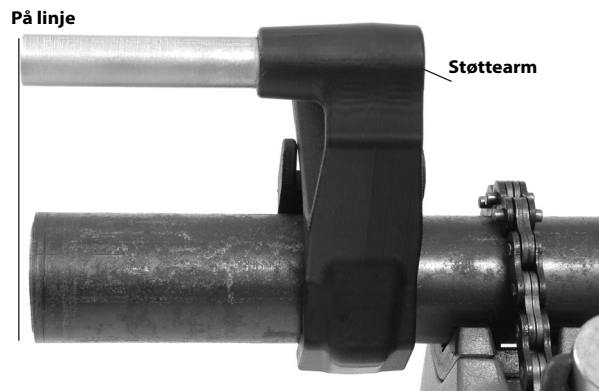
- a. Bruk alltid den medfølgende støttearmen (601 eller 602 støttearm for 600-I, 691 eller 692 støttearm for 690-I) med mindre den ikke kan brukes grunnet plassmangel eller andre innskrenkninger. Støttearmen klemmes fast på røret og hjelper å motstå gjengekreftene.

b. Plasser støttearmen på røret slik at enden på støttearmen er på linje med enden av røret og toppen av støttearmen er horisontal (Figur 11). Dette sørger for korrekt plassering av støttearmen for gjenging og forhindrer at gjengeolje går inn i motoren (Figur 12).

c. Sørg for at støttearmens klembakke er vinkelrett på linje med røret og festet sikkert til støttearmen.



**Figur 11A – plassere støttearmen**



**Figur 11B – plassere støttearmen**



**Figur 12 – korrekt orientering av håndgjengemaskinen**

Når støtteelement ikke kan brukes:

Hvis det skal gjenges ør som sitter på plass, eller ved lignende forhold, kan støtteelementet kanskje ikke brukes grunnet plassmangel.

- Om mulig, fjern røret og gjeng det i en skruestikke. Hvis dette ikke er mulig, må det brukes andre støtteenheter for å hjelpe å motstå gjengekreftene, som å plassere håndgjengemaskinens gir- eller viftekapsling mot en motstående strukturell del (eksempel vegger, bjelker og tverrbjelker). Det krever at røret og omgivelsene kan motstå vekten av verktøyet og gjengekreftene. Det kan være nødvendig å sette på midlertidig eller permanent rørstøtte eller strukturelle elementer.
- For høyregjenger vil gjengeskjærehodet rotere mot høyre/med klokken (når man ser på gjengeskjærehodet forfra). Krefter fra gjengemomentet vil gå i motsatt retning eller mot klokken. Rotasjon og kraft reverseres for venstregjenger. Sørg for at støtteenheter er satt opp for å absorbere gjengekraften korrekt.
- Ikke plasser håndgjengemaskinens motor eller håndtak mot motstående strukturelle deler for å motvirke gjengekreftene, da dette kan forårsake skader på håndgjengemaskinen.
- Hold drivenheten mot strukturobjektet og ikke plasser fingre eller hender mellom drivenheten og strukturobjektet. Når gjengehodet skal skrues ut av gjengene, må du alltid holde drivenheten godt fast for å motstå kreftene når gjengetrådene brytes. Disse trinnene vil redusere risikoen for slag, knusing og andre skader. PÅ/AV-bryteren kan slippes når som helst for å slå drivenheten av.

Hold alltid drivenheten godt fast under gjenging eller når gjengehode trekkes ut av røret for å stå imot krefter, uansett bruk av støtteenheter. Det vil redusere risikoen for slag, knusing og andre skader. PÅ/AV-bryteren kan slippes når som helst for å slå drivenheten av.

## Gjenging

- Sett inn støpselet til håndgjengemaskinen med tørre hender.
- Plasser gjengeskjærehodet over rørenden og støtt håndgjengemaskinene som angitt i delen *Motstå gjengekrefter*.



**Figur 13 – starte gjengen**

- Aktiver samtidig PÅ/AV-bryteren og press mot gjengeskjærehodedekselet med håndflaten på den ledige hånden for å starte gjengen. Ikke bruk hansker, smykker eller en fille når du presser mot dekselet - dette øker risikoen for innvikling og skade. Når gjengebakkene griper røret, vil gjenger bli kuttet mens gjengebakkene trekkes mot enden av røret.

Hold alltid håndgjengemaskinens håndtak godt fast for å motstå håndtakets krefter. Støtteenheter kan skli og gjøre at håndgjengemaskinen flytter på seg. PÅ/AV-bryteren kan slippes når som helst for å slå av håndgjengemaskinen.

- Slutt å legge press på dekselet og bruk oljesmøreren og påfør en sjenerøs mengde RIDGID gjengeolje på området som skal gjenges. Dette vil redusere gjengemomentet, forbedre gjengekvaliteten og forlenge gjengebakkens levetid.



**Figur 14 – gjenge rør**

14. Trykk inn PÅ/AV-bryteren til enden på røret er på linje med kanten på gjengebakkene og slipp bryteren. La håndgjengemaskinen stoppe helt.



**Figur 15 – rør jevnt med kanten på gjengebakkene**

15. Reverser F/R-bryteren og aktiver PÅ/AV-bryteren for å fjerne gjengeskjærehodet fra det gjengede røret. Hold godt fast i håndgjengemaskinens håndtak for å motstå håndtakets krefter som utvikles når gjengeskjærehodet fjernes.

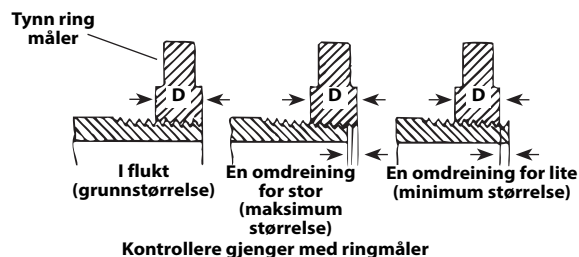
**MERK** Stillingen til F/R-bryteren må bare endres når PÅ/AV-bryteren er sluppet. La håndgjengemaskinen stanse helt før retningen endres med F/R-bryteren. Dette reduserer risikoen for skade på håndgjengemaskinen.

16. Slipp bryteren og fjern håndgjengemaskinen og gjengeskjærehodet fra røret.  
17. Trekk ut støpselet til håndgjengemaskinen med tørre hender.

18. Tørk olje og rester av gjengene og ut av gjengeskjærehodet, sørg for at du ikke kutter deg på skarpe rester eller kanter. Tørk opp eventuelt oljesøl på arbeidsområdet.

## Inspisere gjenger

1. Fjern olje, flis eller rester fra gjengene.
2. Kontroller gjengene visuelt. Gjengene må være jevne og komplette med god form. Hvis det er problemer, som gjengerevner, tynne gjenger eller røret ikke er rundt, kan det være at gjengen ikke vil forsegle når den skrues inn. Se "Feilsøking"-tabellen for hjelp til å diagnostisere disse problemene.
3. Inspiser gjengedimensjonen. Den foretrukne metoden for å sjekke gjengedimensjonen er med et rundt gjengelære. Det finnes ulike typer gjengelærer, og bruken av dem kan variere fra det som vises på Figur 16.
  - Skru gjengelæret inn i gjengen og stram for hånd.
  - Se hvor langt rørenden stikker ut gjennom gjengelæret. Enden av røret må være i flukt med gjengelærets side pluss/minus én vridning. Hvis gjengen ikke tar skikkelig, så kutt av gjengen, juster gjengeskjærehodet og skjær en ny gjenge. Hvis det brukes gjenger som ikke griper skikkelig kan det oppstå lekkasjer.



**Figur 16 – kontrollere gjengedimensjon**

- Hvis det ikke er et gjengelære tilgjengelig for å kontrollere gjengedimensjonen, så er det mulig å bruke en ny, ren kobling som representerer de som brukes, for å måle gjengedimensjonen. For gjenger på 2" og under NPT gjenger må gjengene kuttes for å få 4-5 omdreininger til håndstrammet feste med koblingen, og for 2" og under BSPT gjenger må det være 3 omdreininger.

## Instruksjoner for vedlikehold

### ⚠ ADVARSEL

**Sjekk at PÅ/AV-bryteren er sluppet og at maskinen er frakoblet før du utfører vedlikehold eller justeringer.**

**Vedlikehold verktøyet i henhold til disse prosedyrene for å redusere risikoen for skader fra elektrisk støt, innvikling eller andre årsaker.**



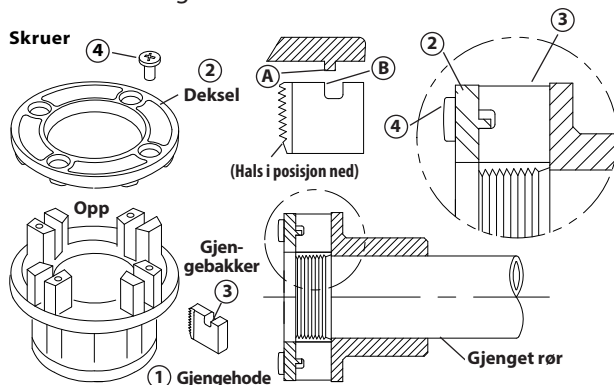
## Rengjøring

1. Tøm gjengeflisene fra flisebrettet til 418 oljesmører etter hver bruk og tørk ut alle oljerester.
2. Tørk av olje, fett eller urenheter fra håndgjengemaskinen inkludert håndtak og betjeningslementer. Rengjør holdemekanismen på 690-I.
3. Tørk av olje, fett eller urenheter fra støttearmen. Rengjør støttearmens klembakker med en stålbørste om nødvendig.
4. Fjern flis og urenheter fra gjengeskjærehodene.

## Bytte gjengebakker i 11-R gjengeskjærehoder

Det er flere typer gjengebakker tilgjengelig for installasjon i RIDGID 11-R gjengeskjærehoder. Se katalogen for tilgjengelighet.

1. Fjern de fire skruene (4) fra dekselet (2) og fjern dekselplaten.
2. Fjern de gamle gjengebakkene (3) fra gjengeskjærehodet.
3. Sett nye gjengebakker inn i sporene, nummerert kant opp. Tallene på gjengebakkene må svare til tallene på sporene i gjengeskjærehodet. Bytt alltid alle gjengebakkene samtidig.

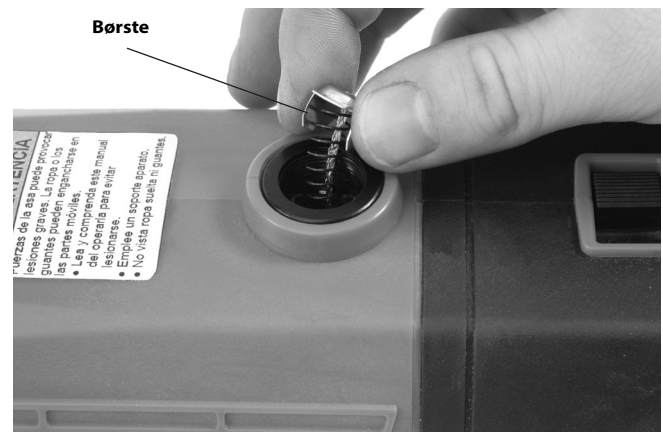


Figur 17 – Installere gjengebakker i gjengehodet

4. Sett på plass dekselplaten igjen og stram de fire skruene lett.
5. Plasser gjengeskjærehodet på et allerede gjenget rør til gjengebakkene begynner å gjenge. Dette tvinger gjengebakkene (4) til å stoppe utover mot tappene (4) på dekselplaten og setter størrelsen korrekt.
6. Stram de fire skruene. Fjern det gjengede røret og utfør en prøveskjæring.

## Bytte børster i motoren

Kontroller motorbørstene hver 6. måned. Bytt dem når de er slitt til under  $\frac{3}{16}$ " (8 mm).



Figur 18 – børsteinstallasjon

1. Koble maskinen fra strømuttaket.
2. Skru ut børstehettene (Figur 1 og 2). Fjern og kontroller børstene. Bytt dem når de er slitt til under  $\frac{3}{16}$ " (8 mm). Undersøk kommutatoren for slitasje. Få utført service hvis slitasjen er for stor.
3. Sett inn børstene igjen/installer nye børster og fest børstehettene godt igjen.
4. Det er beste praksis å kjøre enheten på tomgang i 15 minutter i retning fremover etterfulgt av 15 minutter i retning bakover for å sette børstene til kommutatoren før bruk.

## Tilbehør

### ⚠ ADVARSEL

For å redusere risikoen for alvorlig skade må det bare brukes tilbehør som er spesifikt designet og anbefalt for bruk med 600-I og 690-I håndgjengemaskiner, som tilbehøret oppført under. Annet tilbehør som passer for bruk med annet verktøy kan være farlig hvis det brukes med 600-I og 690-I håndgjengemaskiner.

### 600-I og 690-I håndgjengemaskin tilbehør

Katalognr.	Beskrivelse
45923	602 støttearm
45928	692 støttearm
46668	600-I bæreveske
46673	690-I bæreveske
10883	418 oljesmører med 1 gallon (3,8 liter) Nu-Clear-olje
16703	425 $\frac{1}{8}$ " - 2 $\frac{1}{2}$ " TRISTAND skruestikke
36273	460-6 $\frac{1}{8}$ " - 6" TRISTAND skruestikke

### 600-I og 690-I håndgjengemaskin tilbehør

45543	115 V børster
45588	230 V børster

Mer informasjon om tilbehør som er spesifikt til verktøyet finner du i RIDGID-katalogen og på Internett på RIDGID.com

## Oppbevaring av maskinen

**⚠ ADVARSEL** Håndgjengemaskiner må oppbevares innendørs eller godt tildekket i regnvær. Oppbevar maskinen på et låst område som er utenfor rekkevidde for barn og personer som ikke er kjent med maskinene. Disse maskinene kan forårsake alvorlig personskade hvis de brukes av personer som ikke har fått opplæring.

## Vedlikehold og reparasjon

### ⚠ ADVARSEL

**Feilaktig vedlikehold eller reparasjon kan gjøre maskinen utrygg å bruke.**

Vedlikeholdsinstruksjonene tar for seg de fleste vedlikeholdsbehovene for denne maskinen. Eventuelle problemer som ikke er dekket av dette avsnittet, bør kun håndteres av en autorisert RIDGID-tekniker.

Verktøyet bør tas med til et RIDGID-autorisert uavhengig servicesenter, eller returneres til fabrikken. Bruk bare RIDGID servicedeler.

For informasjon om nærmeste RIDGID-autoriserte uavhengige servicesenter eller eventuelle service- eller reparasjonsspørsmål:

- Kontakt din lokale RIDGID-forhandler.
- Gå til RIDGID.com for å finne din lokale RIDGID-forhandler.
- Kontakt Ridge Tools tekniske serviceavdeling på e-postadressen [rttechservices@emerson.com](mailto:rttechservices@emerson.com), eller ring (800) 519-3456 i USA og Canada.

## Gjengeolje

For informasjon om bruk og håndtering av RIDGID® gjengeolje, se etikettene på beholderen og databladet for materialsikkerhet (Material Safety Data Sheet, MSDS). MSDS er tilgjengelig på RIDGID.com eller ved å ta kontakt med Ridge Tools tekniske serviceavdeling på (800) 519-3456 i USA og Canada eller [rttechservices@emerson.com](mailto:rttechservices@emerson.com).

## Kassering

Deler av håndgjengemaskinene inneholder nyttige materialer som kan resirkuleres. Det kan finnes lokale selskaper som spesialiserer seg på resirkulering. Kasser komponentene i samsvar med gjeldende bestemmelser. Kontakt dine lokale myndigheter for mer informasjon om avfallshåndtering.



**For land i EU:** Ikke kasser elektrisk utstyr sammen med husholdningsavfall.

Ifølge EU-direktivet 2012/19/EU for elektrisk avfall og elektronisk utstyr og implementeringen i nasjonal lovgivning, må elektrisk utstyr som ikke lenger kan brukes, samles inn separat og kasseres på riktig måte med hensyn til miljøet.

## Feilsøking

SYMPTOM	MULIGE ÅRSAKER	LØSNING
<b>Maskinen vil ikke gå.</b>	Børstene berører ikke armaturen.	Kontroller børstene, bytt dem hvis de er slitt.
<b>Maskinen gjenger ikke.</b>	Sløve gjengebakker. Overbelastning grunnet slitte eller ikke runde gjenger. Dårlig kvalitet på eller ikke tilstrekkelig gjengeolje. Utilstrekkelig strømspenning.	Bytt gjengebakker. Se mulige grunner nedenfor.  Bruk RIDGID® gjengeolje i tilstrekkelige mengder. Kontroller spenningen i strømtilførselen.
<b>Det kommer gnister ut av motorens kommutator.</b>	Utilstrekkelig kontakt mellom børster og kommutator.  Børstene berører ikke kommutatoren skikkelig. Børster fra ulike produsenter. Nye børster.	Stram børstehettene for å sørge for at børstene blir presset godt mot kommutatoren. Bytt slitte børster eller armatur.  Bruk kun RIDGID® børster. Sett børstene ved å kjøre enheten på tomgang i 15 minutter både fremover og bakover.
<b>Gjengeskjærehodet begynner ikke å gjenge.</b>	Gjengeskjærehodet er ikke vinkelrett med rørenden. Gripekraft ikke korrekt pålagt gjengeskjærehodet. Rørenden er ikke kuttet vinkelrett. Sløve eller ødelagte gjengebakker. Maskinen går i feil retning. Gjengebakkene sitter feil i gjengeskjærehodet.	Press mot gjengeskjærehodets dekselplate for å starte gjengen. Påfør gripekraft gjennom rørets midtlinje.  Kutt rørenden vinkelrett. Bytt gjengebakker. Kontroller stillingen til F/R-bryteren. Sørg for at metalltrykkere er satt utover mot dekselplatens tapper.
<b>Slitte gjenger.</b>	Gjengebakkene er skadet, har hakk eller er slitt. Feil eller utilstrekkelig gjengeolje.  Feil type gjengebakker for materialet.  Dårlig rørmateriale/-kvalitet.	Bytt gjengebakker.  Bruk kun RIDGID® gjengeolje i tilstrekkelige mengder. Velg høyhastighets-gjengebakker eller gjengebakker av rustfritt stål eller lettmetall som passer til bruksområdet. Bruk rør av god kvalitet.
<b>Gjenger ikke runde eller sammentrykket.</b>	Rørveggen er for tynn.	Bruk skjema 40 eller tyngre veggtykkelse.
<b>Støtteenhet snur seg under gjenging.</b>	Støttearmens klembakker er skitne. Støttearmen er ikke stilt inn korrekt. Støttearmen er ikke stram.	Rengjør dem med stålbørste. Still støttearmen inn vinkelrett med røret. Stram transportskruen.
<b>Tynne gjenger.</b>	Gjengebakker ikke plassert i korrekt rekkefølge.	Plasser gjengebakkene i de riktige gjengebakkesporene.



## 600-I/690-I



### **⚠ VAROITUS!**

Lue tämä käyttöohje huolellisesti ennen tämän työkalun käyttöä. Jos tämän käyttöohjeen sisältö ymmärretään väärin tai sitä ei noudateta, seurauksena voi olla sähköisku, tulipalo ja/tai vakava henkilövahinko.

#### **600-I/690-I Power Drive -käyttölaitteet**

Merkitse sarjanumero alla olevaan tilaan ja säilytä arvokilvessä näkyvä tuotteen sarjanumero.

Sarjanro

--

## Sisällysluettelo

<b>Tallennuslomake koneen sarjanumerolle</b> .....	163
<b>Turvallisuussymbolit</b> .....	165
<b>Yleiset sähkötyökaluihin liittyvät turvallisuusvaroitukset</b> .....	165
Työalueen turvallisuus.....	165
Sähköturvallisuus.....	165
Henkilökohtainen turvallisuus.....	166
Sähkötyökalun käyttö ja käsittely.....	166
Huolto.....	167
<b>Erityisiä turvallisuustietoja</b> .....	167
Käyttölaitteen turvallisuus.....	167
<b>Kuvaus, tekniset tiedot ja vakiovarusteet</b> .....	167
Kuvaus.....	167
Vakiovarusteet.....	168
Tekniset tiedot.....	169
<b>Käyttöä edeltävä tarkastus</b> .....	169
<b>Valmistelut ja käyttö</b> .....	170
Kierrepäiden asennus.....	171
Kierteitysvoimien kumoaminen.....	172
Kierteitys.....	173
Kierteiden tarkastus.....	174
<b>Huolto-ohjeet</b> .....	174
Puhdistus.....	174
Terien vaihto 11-R-kierrepäihin.....	175
Moottorin harjojen vaihtaminen.....	175
<b>Lisävarusteet</b> .....	175
<b>Laitteen varastointi</b> .....	175
<b>Huolto ja korjaus</b> .....	176
<b>Kierteitysöljy</b> .....	176
<b>Hävittäminen</b> .....	176
<b>Vianmääritys</b> .....	177
<b>EY-vaatimustenmukaisuusvakuutus</b> .....	Takakannen sisäpuoli
<b>Elinikäinen takuu</b> .....	Takakansi

\* Alkuperäisten ohjeiden käännös

## Turvallisuussymbolit

Tässä käyttöohjeessa ja tuotteessa annetaan tärkeitä turvallisuustietoja käyttämällä turvallisuussymboleja ja signaalisanoja. Tässä osiossa kuvataan nämä signaalisanat ja symbolit.



Tämä on turvallisuusasiasta varoitettava symboli. Sitä käytetään varoittamaan vaaroista, joista voi olla seurauksena henkilövahinko. Noudata symbolin perässä annettuja turvallisuusohjeita, jotta vältät mahdollisen henkilövahingon tai kuoleman.



**VAARA** VAARA osoittaa vaarallisen tilanteen, josta on seurauksena kuolema tai vakava henkilövahinko, ellei sitä vältetä.



**VAROITUS** VAROITUS osoittaa vaarallisen tilanteen, josta voi olla seurauksena kuolema tai vakava henkilövahinko, ellei sitä vältetä.



**VARO** VARO osoittaa vaarallisen tilanteen, josta voi olla seurauksena lievä tai kohtuullinen henkilövahinko, ellei sitä vältetä.



**HUOMAUTUS** HUOMAUTUS viittaa tietoihin, jotka koskevat omaisuusvahinkojen välttämistä.



Tämä symboli tarkoittaa, että käyttöohje on luettava huolellisesti ennen laitteen käyttämistä. Käyttöohje sisältää tärkeitä tietoja laitteen turvallisesta ja oikeaoppisesta käytöstä.



Tämä symboli tarkoittaa, että tätä laitetta käytettäessä on aina käytettävä sivusuojuksilla varustettuja turvalaseja tai suojalaseja silmävammojen välttämiseksi.



Tämä symboli tarkoittaa, että sormet, kädet, vaatteet tai muut kohteet voivat tarttua hammaspyöriin tai pyöriin osiin tai niiden väliin ja aiheuttaa puristumisvammoja.



Tämä symboli osoittaa sähköiskun vaaran.



Tämä symboli ilmoittaa koneen kaatumisriskistä, josta voi olla seurauksena puristus- tai iskuvammoja.



Tämä symboli tarkoittaa, että tätä konetta käytettäessä ei saa käyttää käsineitä tarttumisvaaran vähentämiseksi.



Tämä symboli tarkoittaa, että on käytettävä tukilaitetta kierteitusvoimien kumoamiseksi, hallinnan parantamiseksi sekä iskujen, puristumisen ja/tai muiden henkilövahinkojen vaaran vähentämiseksi.

## Yleiset sähkötyökaluihin liittyvät turvallisuusvaroitukset\*

### VAROITUS

Lue kaikki turvallisuusvaroitukset, ohjeet, kuvat ja erittelyt ennen tämän sähkötyökalun käyttöä. Jos kaikkia seuraavassa lueteltuja ohjeita ei noudateta, seurauksena saattaa olla sähköisku, tulipalo ja/ tai vakava henkilövahinko.

### SÄILYTÄ KAIKKI VAROITUKSET JA OHJEET MYÖHEMPÄÄ KÄYTTÖÄ VARTEN!

Varoituksissa käytettävä termi "sähkötyökalu" viittaa verkkovirtakäyttöisiin sähkötyökaluihin (joissa on virtajohto) sekä akkukäyttöisiin sähkötyökaluihin (joissa ei ole virtajohtoa).

### Työalueen turvallisuus

- Pidä työalue siistinä ja hyvin valaistuna. Epäsiisti tai pimeä työalue altistaa onnettomuuksille.

- Älä käytä sähkötyökaluja räjähdysriskissä ympäristössä, kuten syttyvien nesteiden, kaasujen tai pölyn läheisyydessä. Sähkötyökaluista syntyy kipinöitä, jotka saattavat sytyttää pölyn tai höyryt.

- Älä käytä sähkötyökalua lasten tai sivullisten läheisyydessä. Häiriötekijät saattavat johtaa hallinnan menettämiseen.

### Sähköturvallisuus

- Virtapistokkeen on sovittava pistorasiaan. Älä koskaan muuta pistotulppaa millään tavalla. Älä käytä pistokeadapteereita maadoitettujen sähkötyökalujen kanssa. Muokkaamattomat pistokkeet ja sopivat pistorasiat pienentävät sähköiskun vaaraa.
- Vältä koskemasta maadoitettuihin pintoihin, kuten putkiin, lämpöpattereihin, liesiin ja jääkaappeihin. Sähköiskun vaara kasvaa, jos käyttäjän keho on maadoitettu.

\*Tämän käyttöohjeen sähkötyökaluja koskevien yleisten turvallisuusohjeiden osiossa käytetty teksti on soveltuvan standardin UL/CSA 62841 version mukainen. Tämä osa sisältää useiden erityyppisten sähkötyökalujen yleisiä turvallisuuskäytäntöjä. Kaikki varoitukset eivät päde kaikkiin työkaluihin ja jotkin niistä eivät päde tähän työkaluun.

- **Älä altista sähkötyökaluja sateelle tai märille olosuhteille.** Sähkötyökaluun pääsevä vesi lisää sähköiskun vaaraa.
- **Käsittele virtajohtoa varoen. Älä käytä virtajohtoa sähkötyökalun kantamiseen tai vetämiseen. Älä irrota pistotulppaa pistorasiasta johdosta vetämällä. Älä altista virtajohtoa kuumuudelle, öljylle, teräville reunoille tai liikkuville osille.** Vioittuneet tai sotkeutuneet johdot lisäävät sähköiskun vaaraa.
- **Kun käytät sähkötyökalua ulkona, käytä ulkokäyttöön soveltuvaa jatkojohtoa.** Ulkokäyttöön soveltuvan jatkojohdon käyttäminen vähentää sähköiskun vaaraa.
- **Jos sähkötyökalua käytetään kosteissa olosuhteissa, käytä vikavirtakatkaisimella (GFCI) suojattua virtalähdettä.** Vikavirtakatkaisimen käyttäminen vähentää sähköiskun vaaraa.

## Henkilökohtainen turvallisuus

- **Ole valppaana, keskity tekemiseesi ja käytä maalaisjärkeä käyttäessäsi sähkötyökalua. Älä käytä sähkötyökaluja väsyneenä tai huumeiden, alkoholin tai lääkkeiden vaikutuksen alaisena.** Hetkellinen tarkkaavaisuuden herpaantuminen sähkötyökaluja käytettäessä saattaa johtaa vakavaan loukkaantumiseen.
- **Käytä henkilökohtaisia suojavarusteita. Käytä aina silmiensuojaimia.** Suojavarusteiden, kuten hengityssuojaimen, liukumattomilla pohjilla varustettujen turvakengien, suojakypärän ja kuulonsuojaimien käyttö vähentää loukkaantumisvaaraa.
- **Estä tahaton käynnistyminen. Varmista, että virtakytkin on OFF-asennossa, ennen kuin kytket virtalähteen tai akun tai nostat tai kannat työkalua.** Onnettomuussille altistaa esimerkiksi sähkötyökalujen kantaminen pitäen sormea katkaisimella tai virtajohtoon kytkeminen sähkötyökaluihin, joiden virtakytkin on käyttöasennossa.
- **Poista säätöavaimet tai -työkalut, ennen kuin kytket virran päälle työkaluun.** Sähkötyökalun pyörivään osaan kiinni jätetty säätötyökalu tai avain saattaa johtaa henkilövahinkoon.
- **Älä kurottele. Pidä jalkasi tukevalla alustalla ja pidä tasapainosi.** Näin voit parantaa sähkötyökalun hallintaa yllättävissä tilanteissa.
- **Pukeudu asianmukaisesti. Älä käytä löysiä vaatteita tai koruja. Pidä hiukset, vaatteet ja käsi neet erossa liikkuvista osista.** Löysät vaatteet, korut tai pitkät hiukset voivat takertua liikkuviin osiin.

- **Jos laitteessa on liitántä pölynerotus ja -keräyslaitteille, varmista että ne on kytketty ja käytössä.** Pölynkeräyslaitteen käyttäminen voi vähentää pölystä aiheutuvia vaaratilanteita.
- **Älä anna työkalujen runsaasta käytöstä johtuvan tottuneisuuden aiheuttaa liikaa itsevarmuutta ja turvallisuusperiaatteiden laiminlyöntiä.** Huolimaton toiminta voi aiheuttaa vakavia vammoja sekunnin murto-osassa.

## Sähkötyökalun käyttö ja käsittely

- **Älä ylikuormita sähkötyökalua. Käytä käyttötarkoitukseen soveltuvaa sähkötyökalua.** Oikea sähkötyökalu suoriutuu tehtävästä tehokkaasti ja turvallisesti.
- **Älä käytä sähkötyökalua, jos sen katkaisin ei toimi, eli työkalua ei voida käynnistää ja sammuttaa katkaisimella.** Sähkötyökalu, jota ei voi ohjata virtakytkimellä, on vaarallinen, ja se on korjattava.
- **Irrota pistoke virtalähteestä ja/tai akku sähkötyökalusta, ennen kuin suoritat säätöjä, vaihdat lisäosia tai varastoit sähkötyökaluja.** Nämä ennakoivat turvatoimet vähentävät sähkötyökalun tahattoman käynnistymisen riskiä.
- **Säilytä käyttämättömät työkalut lasten ulottumattomissa, äläkä salli työkalun käyttöä, jos käyttäjä ei tunne työkalua tai näitä ohjeita.** Sähkötyökalut ovat vaarallisia tottumattomien käyttäjien käsissä.
- **Huolla sähkötyökalut ja lisävarusteet. Tarkista, esiintyykö liikkuvissa osissa kohdistusvirheitä tai takerutumista ja onko työkalussa vaurioituneita osia tai muita sähkötyökalun toimintaan vaikuttavia vikoja. Viallinen sähkötyökalu on korjattava ennen käyttöä.** Monet onnettomuudet johtuvat huonosti huolletuista sähkötyökaluista.
- **Pidä leikkaustyökalut terävinä ja puhtaina.** Hyvin hoidetut ja terävät leikkaustyökalut takertelevat vähemmän ja ovat helpompia hallita.
- **Käytä sähkötyökalua, tarvikkeita, teriä, jne. näiden ohjeiden mukaisesti ja ota huomioon työolosuhteet ja suoritettava työ.** Jos sähkötyökalua käytetään muuhun kuin sen alkuperäiseen käyttötarkoitukseen, seurauksena saattaa olla vaaratilanne.
- **Pidä kahvat ja tartuntapinnat kuivina, puhtaina, öljyttöminä ja rasvattomina.** Liukkaat kahvat ja tartuntapinnat estävät työkalun turvallisen käsittelyn ja hallinnan yllättävissä tilanteissa.



## Huolto

- Anna valtuutetun korjaajan suorittaa sähkötyökalun huolto käyttäen ainoastaan alkuperäisiä varaosia. Tämä varmistaa sähkötyökalun turvallisuuden.

## Erityisiä turvallisuustietoja

### ⚠ VAROITUS

Tämä kohta sisältää nimenomaan tähän työkaluun liittyviä tärkeitä turvallisuusohjeita.

Lue nämä varoitukset huolellisesti ennen käyttölaitteiden käyttöä sähköiskun tai vakavan loukaantumisen riskin vähentämiseksi.

### SÄILYTÄ NÄMÄ OHJEET

Säilytä tämä käyttöohje laitteen läheisyydessä, jotta se on käyttäjän käytettävissä.

## Käyttölaitteen turvallisuus

- Käytä aina työkalun mukana toimitettua tukilaitetta. Hallinnan menettäminen käytön aikana voi johtaa henkilövahinkoon.
- Pidä hihat ja takit napitettuina työkalun käytön aikana. Älä kurottele työkalun tai putken ylitse. Vaatteet voivat juuttua putkeen tai työkaluun ja takertua kiinni.
- Vain yhden henkilön on ohjattava työprosessia ja työkalun käyttöä. Prosessiin ylimääräisinä osallistuvat henkilöt voivat aiheuttaa tahatonta käyttöä ja henkilövahinkoja.
- Pidä lattiat kuivana ja tarkista, ettei niillä ole liukkaita materiaaleja, kuten öljyä. Liukkaat lattiat altistavat onnettomuuksille.
- Älä käytä käsineitä työkalua käytettäessä. Älä kurottele työkalun tai putken ylitse. Käsineet voivat juuttua putkeen tai työkaluun ja takertua kiinni.
- Pidä käyttölaitteesta aina tukevasti kiinni kierteityksen aikana tai peruutettaessa kierrepäätä pois putkesta kierteitysvoimien kumoamiseksi riippumatta siitä, käytetäänkö tukilaitetta vai ei. Tämä vähentää isku-, puristumis- ja muiden vammojen vaaraa.
- Noudata asianmukaisia ohjeita laitteen käyttämiseksi. Älä käytä muuhun tarkoitukseen kuin reikien poraamiseen tai vinssien pyörittämiseen. Muu käyttö tai tämän koneen muuttaminen muuta käyttöä varten voi lisätä vakavan henkilövahingon vaaraa.
- Älä käytä tätä käyttölaitetta, jos ON/OFF-kytkin on rikki. Tämä kytkin on turvalaite, joka pysäyttää moottorin, kun ote siitä päästetään.

- Älä käytä tylsiä tai vioittuneita teriä. Terävät leikkuutyökalut vaativat vähemmän vääntövoimaa ja käyttölaitetta on helpompi hallita.
- Pidä kahvat kuivina ja puhtaina. Pyyhi pois öljy ja rasva. Tämä helpottaa työkalun ohjausta.
- Käytä RIDGID-käyttölaitteiden kanssa ainoastaan RIDGID-kierrepäitä. Muut kierrepäät eivät ehkä sovi kunnolla käyttölaitteeseen lisäten laite- ja henkilövahinkojen vaaraa.

Jos sinulla on kysyttävää tästä RIDGID®-tuotteesta:

- Ota yhteys RIDGID-jälleenmyyjään.
- Lähimmän RIDGID-edustajan löydät osoitteesta RIDGID.com.
- Ridge Toolin tekniseen palveluosastoon saa yhteyden lähettämällä sähköpostia osoitteeseen rttechservices@emerson.com tai soittamalla Yhdysvalloissa ja Kanadassa numeroon (800) 519-3456.

## Kuvaus, tekniset tiedot ja vakiovarusteet

### Kuvaus

RIDGID® 600-I ja 690-I Power Drive -käyttölaitteet ovat kaksois-eristettyjä voimanlähteitä, jotka tuottavat putkien kierteittämiseen tarvittavan voiman. Pyörimissuunta eteen ja taakse voidaan valita liukukytkimellä ja PÄÄLLE/POIS-toimintoa ohjataan kaksivaiheisella kytkimellä.

600-I Power Drive -käyttölaitte on suunniteltu RIDGID 11-R-kierrepäille (1/8" – 1 1/4" putki). 690-I Power Drive -käyttölaitte on suunniteltu RIDGID 11-R-kierrepäille (1/8" – 2" putki). Kokojen 1/8" – 1 1/4" kanssa 690-I Power Drive -käyttölaitteeseen tarvitaan välikappale. Kiinnitysmekanismi pitää välikappaleen ja 1 1/2" – 2" kierrepäät paikallaan 690-I-käyttölaitteessa.



Kuva 1 – Käyttölaitte malli 600-I


**Kuva 2 – Käyttölaite malli 690-I**

**Kuva 3 – Tukivarret 602/692**

600-I ja 690-I Power Drive -käyttölaitteen sarjanumerokilpi sijaitsee moottorikotelon pohjassa. Sarjanumeron 4 viimeistä numeroa ilmaisevat valmistuskuukauden ja -vuoden (KKVV).

<b>RIDGID</b>		<input type="checkbox"/>	CE	<input checked="" type="checkbox"/>
Ridge Tool Company, Elyria, Ohio, U.S.A.				
Model No.	600-I	~	50 / 60	Hz
V	230	A	5	W
Capacity	1/8" - 1 1/4"	n <sub>0</sub>	32	/min
Serial No.				

**Kuva 4 – Koneen sarjanumero**

## Vakiovarusteet

Model 600-I/690-I Power Drive -käyttölaitteiden mukana toimitetaan seuraavat tuotteet:

- Käyttölaite
- 690-I Välikappale (vain 690-I)
- Käyttäjän käsikirja

**HUOMAUTUS** Oikeiden materiaalien sekä asennus-, liittämisen- ja muotoilumenetelmien valinta on järjestelmän suunnittelijan ja/tai asentajan vastuulla. Väärien materiaalien ja menetelmien valinta voi aiheuttaa järjestelmäviian.

Ruostumaton teräs ja muut korroosiota kestävä materiaalit voivat kontaminoitua asennuksen, liittämisen ja muotoilun aikana. Tällainen kontaminaatio saattaa aiheuttaa korroosiota ja ennenaikaisen rikkoutumisen. Kyseisiin käyttöolosuhteisiin, mukaan lukien kemialliset ja lämpöolosuhteet, tarkoitettujen materiaalien ja menetelmien on arvioitava huolellisesti ennen asennusta.

## Tekniset tiedot

Parametri	600-I Käyttölaite	690-I Käyttölaite
Putkikoot	1/8 - 1/4" (3 - 32 mm)	1/8 - 2" (3 - 50 mm)
Kierrepään kiinnitys	Rengasjousi	Kiinnitysmekanismi (1 1/2 - 2") Rengasjousi (1/8 - 1/4")
Vasenkätiset kierteet	Kyllä	Kyllä
Tukivarsi	Nro 602, nro 601	Nro 692, nro. 691
Välikapale	Ei tarvita.	Käytetään 1/8 - 1/4" kierrepäiden kanssa.
Moottorin tyyppi	Yleismoottori, yksivaiheinen	Yleismoottori, yksivaiheinen
Wattiluku	1270 (120V), 1020 (220-240V)	1270 (120V), 1020 (220-240V)
Jännite/vaihe	120V/1-vaihe, 220-240V/1-vaihe	120V/1-vaihe, 220-240V/1-vaihe
Ampeeriluku	12A (120V), 5A (220-240V)	12A (120V), 5A (220-240V)
Käyttönopeus (r/min)	36 (120V), 32 (220-240V)	36 (120V), 32 (220-240V)
Säätimet	Eteen/taakse-liukukytkin Kaksivaiheinen ON/OFF-kytkin	Eteen/taakse-liukukytkin Kaksivaiheinen ON/OFF-kytkin
Vaihteisto	Alumiinivalu, kestovoideltu	Alumiinivalu, kestovoideltu
Pituus	20" (508 mm)	24,13" (613 mm)
Leveys	3,75" (95 mm)	4,75" (121 mm)
Korkeus	7,5" (191 mm)	8" (203 mm)
Paino	12,65 lbs (5,7 kg)	21,15 lbs (9,6 kg)
Äänenpaine (L <sub>PA</sub> )*	83 dB(A), K=3	83 dB(A), K=3
Äänteho (L <sub>WA</sub> )*	94 dB(A), K=3	94 dB(A), K=3
Tärinä*	<2,5 m/s <sup>2</sup> , K=1,5	<2,5 m/s <sup>2</sup> , K=1,5

\* Ääni- ja tärinämittaukset on tehty standardin IEC62841-1 mukaisen standardoidun testin mukaisesti.

- Tärinätaasoja voidaan käyttää vertailuissa muiden työkalujen kanssa altistuksen alustavaan arviointiin.

- Ääni- ja tärinätaasot voivat vaihdella paikan ja näiden työkalujen käytön mukaan.

- Äänen ja tärinän päivittäiset altistustasot on arvioitava tapauskohtaisesti ja tarvittaessa on ryhdyttävä asianmukaisiin turvatoimenpiteisiin. Altistumistasojen arvioinnissa on otettava huomioon aika, jonka työkalu on päältäkytkettynä ja pois käytöstä. Tämä voi pienentää koko työskentelyjakson altistustasoa merkittävästi.

## Käyttöä edeltävä tarkastus

## VAROITUS



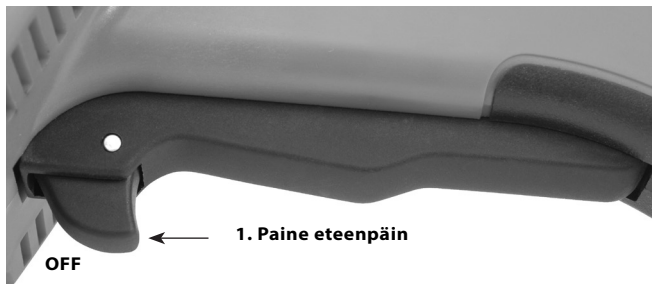
**Tarkista putkentaivutin ennen jokaista käyttökerta ja korjaa mahdolliset ongelmat. Näin voidaan vähentää sähköiskujen, ruhjoutumisvammojen ja muista syistä johtuvien vakavien tapaturmien vaaraa ja estää laitteen vaurioituminen.**

1. Varmista, että käyttölaite on irrotettu pistorasiasta.
2. Puhdista öljy, rasva ja lika käyttölaitteesta ja tukilaitteesta sekä kahvoista ja säätimistä. Tämä helpottaa laitteen tarkastusta ja estää laitteen irtoamisen otteestasi tai sen hallinnan menettämisen.

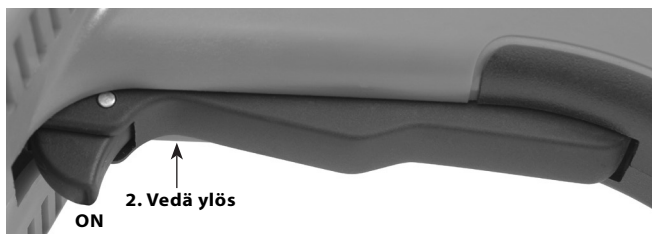
3. Tarkasta käyttölaite ja tukivarsi seuraavasti:

- Verkojohdon ja pistokkeen vauriot ja muutostyöt.
- Oikea asennus ja täydellisyys.
- Vialliset, vinossa olevat tai juuttuneet osat.
- Kaksivaiheisen ON/OFF-kytkimen oikea toiminta (*Katso kuva 5*).
- Tukivarren tartuntahampaiden puhtaus ja hyvä kunto. Hampaat on puhdistettava teräsharjalla.
- Laitteen varoitustarrat ja niiden luettavuus.
- Mahdolliset muut seikat, jotka voivat estää turvallisen ja normaalin käytön.

Jos ongelmia ilmenee, älä käytä käyttö- tai tukilaitetta, ennen kuin ongelmat on korjattu.



**Kuva 5A – Kaksivaiheinen ON/OFF-kytkin**

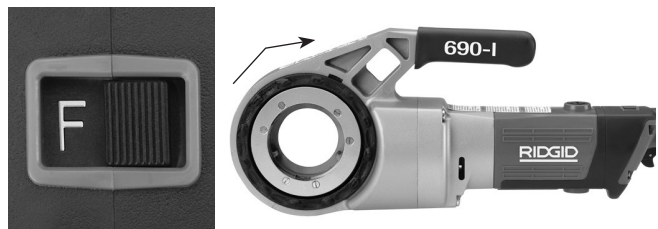


**Kuva 5B – Kaksivaiheinen ON/OFF-kytkin**

4. Tarkasta terien leikkuusärmät kulumisen, muodonmuutosten, säröjen ja muiden ongelmien varalta. Tylsät ja vioittuneet leikkuutyökalut vaativat enemmän voimaa, heikentävät työn laatua ja lisäävät henkilövahinkojen vaaraa.
5. Tarkasta ja huolla muut mahdollisesti käytettävät laitteet niiden ohjeiden mukaisesti, jotta ne toimivat oikein.
6. Noudata valmistelu- ja käyttöohjeita ja tarkasta käyttölaitteen toiminta.
  - Siirrä F/R-kytkin (eteen/taakse) F-asentoon. Paina ON/OFF-kytkintä ja vapauta se (Kuva 5). Tarkista, että käyttölaitte pyörii myötäpäivään (katso kuva 6) ja pysähtyy, kun kytkin vapautetaan.
  - Toista sama menetelmä pyörimissuunnalle vastapäivään. Jos käyttölaitte ei pyöri oikeaan suuntaan tai ON/OFF-kytkin ei ohjaa laitteen toimintaa, älä käytä laitetta, ennen kuin se on korjattu.

**HUOMAUTUS** Vaihda F/R-liukukytkimen asentoa vain silloin, kun ON/OFF-liipaisin on vapautettuna. Anna käyttölaitteen pysähtyä täysin, ennen kuin muutat pyörimissuuntaa F/R-liukukytkimellä. Tämä vähentää käyttölaitteen rikkoutumisvaaraa.

- Pidä ON/OFF-kytkintä painettuna. Tarkasta liikkuvat osat kohdistuksen, juuttumisen, epätavallisten äänten ja muiden normaalista poikkeavien seikkojen osalta. Vapauta ON/OFF-kytkin. Jos laitteessa on jotain epätavallista, älä käytä laitetta, ennen kuin se on korjattu.



**Kuva 6A – Kytkimen asento F (ETEENPÄIN) (myötäpäivään)**



**Kuva 6B – Kytkimen asento R (PERUUTUS) (vastapäivään)**

7. Vapauta ON/OFF-kytkin ja irrota laite pistorasiasta kiviin käsin.

## Valmistelut ja käyttö

### VAROITUS



**Valmistele ja käytä käyttölaitetta näiden menetelmien mukaisesti sähköiskun, kiinnitarttumisen, isku, puristumisen ja muiden syiden aiheuttamien henkilövahinkojen vaaran sekä laitevahinkojen vähentämiseksi.**

**Käytä asianmukaista tukilaitetta näiden ohjeiden mukaisesti. Tukilaitteet parantavat laitteen hallintaa sekä vähentävät iskujen, puristumisen ja/tai muiden henkilövahinkojen vaaraa.**

**Muuta tukilaitetta kuin toimitettua tukivartta käytettäessä tukilaitteen on reagoitava vaihde- tai tuuletinkotelo vasten. Moottorikoteloon ja kahvaan koskettavat tukilaitteet voivat vahingoittaa näitä osia ja lisätä henkilövahinkojen vaaraa.**

**Pidä käyttölaitteesta aina tukevasti kiinni kiertetyksen aikana tai peruutettaessa kierrepäätä pois putkesta käyttövoimien kumoamiseksi riippumatta siitä, käytetäänkö tukilaitetta vai ei. Tämä vähentää isku-, puristumis- ja muiden vammojen vaaraa.**

**Älä pidä käsineitä tai löysiä vaatteita. Älä anna hihojen roikkua ja napita takit. Löysät vaatteet voivat takertua pyöriviin osiin ja aiheuttaa isku- ja puristumisvammoja.**

**Tue putki kunnolla. Tämä vähentää putoavien putkien, kaatumisen ja vakavien henkilövahinkojen vaaraa.**

**Älä käytä käyttölaitetta, jos ON/OFF-kytkin tai F/R-liukukytin eivät toimi kunnolla.**

**Saman henkilön on ohjattava sekä työprosessia että ON/OFF-kytkintä. Laitetta ei saa käyttää kerralla vain yksi henkilö. Jos laitteeseen takertuu jokin, käyttäjän on voitava käyttää ON/OFF-kytkintä.**

1. Tarkasta, onko työalueella:

- Kunnollinen valaistus.
- Syttyviä nesteitä, höyryjä tai pölyä. Mikäli alueella on näitä, älä aloita työskentelyä, ennen kuin ongelmat on tunnistettu ja korjattu. Käyttölaitteet eivät ole räjähdyskestäviä ja niistä voi muodostua kipinöitä.
- Esteetön, tasainen, vakaa ja kuiva paikka laitteita ja käyttäjää varten.
- Hyvä ilmanvaihto. Älä käytä erittäin pienissä, suljetuissa tiloissa.
- Oikein maadoitettu pistorasia, joka antaa oikean jännitteen. Jos et ole varma, pyydä valtuutettua sähköasentajaa tarkistamaan pistorasia.
- Pistorasiaan johtava vapaa reitti, jolla ei ole mitään, mikä saattaisi vioittaa virtajohtoa.

2. Tarkista kierteitettävä putki ja liittimet ja varmista, että valittu käyttölaitte soveltuu työhön. *Katso Tekniset tiedot.* Käytä ainoastaan suorien tuotteiden kierteittämiseen.

Muihin sovelluksiin tarkoitettuja tuotteita on esitelty Ridge Tool -luettelossa osoitteessa RIDGID.com. Niitä voi tiedustella myös Ridge Toolin teknisestä palvelusta Yhdysvalloissa ja Kanadassa numerosta (800) 519-3456.

3. Varmista, että käytettävät laitteet on tarkastettu asianmukaisesti.

4. Valmistele putki kunnolla. Varmista, että putki on leikattu suoraan ja purseet on poistettu. Kulmittain katkaistu putki voi vahingoittaa teriä kierteityksen aikana tai vaikeuttaa kierrepään kytkemistä.

## Kierrepäiden asennus

5. 1½" tai 2" kierrepään tai välikappaleen asennus 690-I:een:
  - a. Varmista, että ON/OFF-kytkin on vapautettu ja käyttölaitte irrotettu pistorasiasta.
  - b. Avaa kiinnitysmekanismi pyörittämällä käyttörengasta vastapäivään. Työnnä kierrepään tai välikappaleen (tarvittaessa) urapää kunnolla käyttölaitteeseen (kuva 7).
  - c. Vapauta käyttörengas ja tarkista, että kierrepää/välikappale on kiinni.
  - d. Irrota päinvastaisessa järjestyksessä.



**Kuva 7 – Kiinnitysmekanismi, käyttörengas auki/kiinni-asennossa**



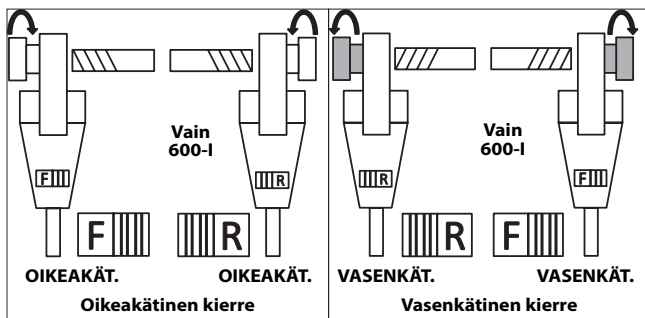
**Kuva 8 – Välikappaleen asennus 690-I:een**

6. 1¼" ja sitä pienempien kierrepäiden asennus:
  - a. Varmista, että ON/OFF-kytkin on vapautettu ja käyttölaitte irrotettu pistorasiasta.
  - b. Asenna tarvittaessa välikappale 690-I:een (kuva 8).

- c. Työnnä 11-R-kierrepään kahdeksankulmainen pää suoraan käyttölaitteeseen, kunnes jousirengas lukitsee sen. 600-I:ssä kierrepää voidaan asentaa käyttölaitteen molemmille puolille. 690-I:ssä kierrepäät voidaan työntää paikalleen vain välikappaleen puolelta.
- d. Vedä kierrepää irti käyttölaitteesta. Käytä tarvittaessa pehmeää vasaraa tai puupalikkaa kierrepään naputtamiseksi irti. Älä lyö voimalla kierrepäähän, sillä työkalu saattaa vahingoittua.


**Kuva 9 – Kierrepäiden asennus 600-I-käyttölaitteeseen**

7. Aseta käyttölaitteen F/R-liukukytin haluttuun asentoon oikea- tai vasenkätiselle kiertelle. *Katso kuva 10.*

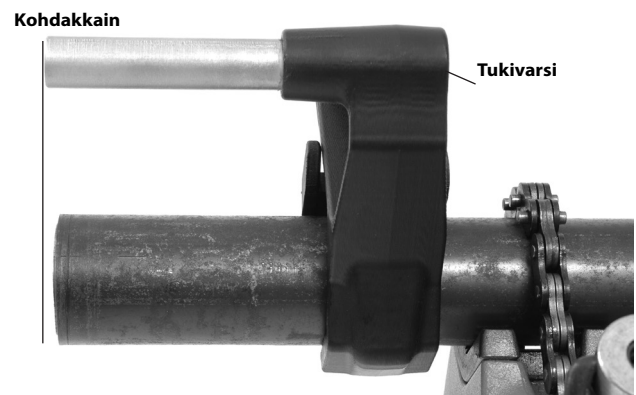

**Kuva 10 – Liukukytin/kierrepään suuntaus**

8. Varmista, että kierteitettävä putki on tukevasti paikallaan, ettei se kallistu käytön aikana. Käytä asianmukaisia putkitukia putken tukemiseen koko matkalta.
9. Tarkasta RIDGID-kierteitysöljyn taso RIDGID 418 -öljymislaitteessa. Irrota lastukaukalo ja tarkasta, että suodatinverkko on puhdas ja kokonaan öljyssä. Vaihda ja lisää öljyä tarvittaessa. Aseta 418-öljymislaitteen astia kierteitettävän putken päälle.

## Kierteitusvoimien kumoaminen

Toimitetun tukivarren käyttäminen:

- Käytä aina toimitettua tukivartta (601- tai 602-tukivarsi 600-I:lle, 691- tai 692-tukivarsi 690-I:lle), ellei sitä voida käyttää tilanpuutteen tai muun esteen vuoksi. Tukivarsi puristetaan putkeen kiinni ja se auttaa kumoamaan kierteitusvoimia.
- Aseta tukivarsi putkeen niin, että tukivarren pää on putken pään kohdalla ja tukivarren yläosa on vaakasuorassa (Kuva 11.). Tämä asettaa tukivarren oikein kierteitystä varten ja estää kierteitysöljyn pääsyn moottoriin (Kuva 12.).
- Varmista, että tukivarren leuat ovat putken suuntaisesti ja kiristä tukivarsi kunnolla.


**Kuva 11A – Tukivarren sijoitus**

**Kuva 11B – Tukivarren sijoitus**



**Kuva 12 – Käyttölaitteen oikea suuntaus**

Kun tukivartta ei voi käyttää:

Kun putki kierteitetään paikallaan tai vastaavissa sovelluksissa, tukivartta ei ehkä voida käyttää tilanpuutteen vuoksi.

- a. Mikäli mahdollista, irrota putki ja kierteitä se ruuvipuristimessa. Jos tätä ei voida tehdä, on käytettävä muita tukemistapoja kierteitysvoimien kumoamiseksi, esim. asettamalla käyttölaitteen vaihde- tai tuuletinkotelo rakennesoa vasten (esimerkiksi seinät ja palkit). Tämä edellyttää, että putki ja ympäristö kestävät työkalun painon ja kierteitysvoimat. Joskus voi olla tarpeen lisätä tilapäiset tai pysyvät putkituet tai rakenteelliset elementit.
- b. Oikeakätisiä kierteitä tehtäessä kierrepää pyörii myötäpäivään (kierrepään päästä katsottuna). Kierteitysmomentin muodostamat voimat ovat suunnaltaan vastakkaisia eli vastapäivään. Pyörimissuunta ja voima ovat vastakkaisia vasenkätisille kierteille. Varmista, että tukilaitte on asennettu oikein kierteitysvoimien kumoamiseksi.
- c. Älä aseta käyttölaitteen moottoria tai kahvaa viereistä rakennesoa vasten kierteitysvoimien kumoamiseksi, sillä tämä voi vahingoittaa käyttölaitetta.
- d. Pidä käyttölaitte rakennesoan vasten äläkä laita sormia tai käsiä käyttölaitteen ja rakennesoan väliin. Kun kierrepää vedetään takaisin kierteestä, pidä käyttölaitteesta lujasti kiinni, etteivät voimat katkaise kierrelastuja. Nämä vaiheet vähentävät isku-, puristumis- ja muiden vammojen vaaraa. ON/OFF-kytkin voidaan vapauttaa milloin tahansa käyttölaitteen sammuttamiseksi.

Pidä käyttölaitteesta aina tukevasti kiinni kierteityksen aikana tai peruutettaessa kierrepäätä pois putkesta voimien kumoamiseksi riippumatta siitä, käytetäänkö tukilaitetta vai ei. Tämä vähentää isku-, puristumis- ja muiden vammojen vaaraa. ON/OFF-kytkin voidaan vapauttaa milloin tahansa käyttölaitteen sammuttamiseksi.

## Kierteitys

10. Liitä käyttölaitte pistorasiaan kuivilla käsillä.
11. Aseta kierrepää putken päälle ja tue tukilaitte ohjeiden mukaan, jotka on annettu kohdassa *Kierteitysvoimien kumoaminen*.



**Kuva 13 – Kierteen aloitus**

12. Aktivoi ON/OFF-kytkin ja paina samalla kierrepään suojalevyä vapaan käden kämmenellä kierteen aloittamiseksi. Älä käytä käsiin, koruja tai riepua suojalevyä painettaessa – tämä lisää kiinnittartumisen ja henkilövahinkojen vaaraa. Kun terät purevat putkeen, kierteet leikataan terien vetäessä itsensä putken päähän. Pidä aina tiukasti kiinni käyttölaitteen kahvasta kahva-voimien kumoamiseksi. Tukilaitteet voivat luistaa ja saada käyttölaitteen liikkumaan. ON/OFF-kytkin voidaan vapauttaa milloin tahansa käyttölaitteen sammuttamiseksi.
13. Lopeta suojalevyn painaminen ja käytä öljyämislaitetta niin, että kierteitettävällä alueella on runsaasti RIDGID-kierteitysöljyä. Tämä alentaa kierteitysmomenttia, parantaa kierteen laatua ja pidentää terän kestoikää.



**Kuva 14 – Putken kierteitys**

14. Paina ON/OFF-kytkintä, kunnes putken pää on terien reunan tasalla, ja vapauta kytkin sen jälkeen. Anna käyttölaitteen pysähtyä täysin.



**Kuva 15 – Putki terien reunan tasalla**

15. Vaihda suuntaa F/R-liukukytkimellä ja paina ON/OFF-kytkintä kierrepään poistamiseksi kierteitetystä putkesta. Pidä tiukasti kiinni käyttölaitteen kahvasta kahvavoi-  
mien kumoamiseksi, kun kierrepää peruutetaan pois putkesta.

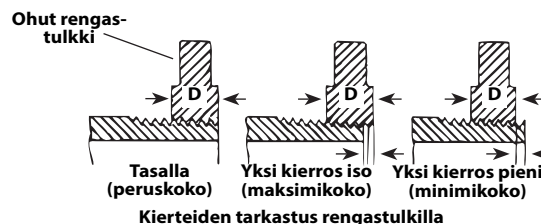
**HUOMAUTUS** Vaihda F/R-liukukytkimen asentoa ainoastaan silloin, kun ON/OFF-kytkin on vapautettuna. Anna käyttölaitteen pysähtyä kokonaan, ennen kuin suuntaa vaihdetaan F/R-liukukytkimellä. Tämä vähentää käyttölaitteen vahingoittumisen vaaraa.

16. Vapauta kytkin ja poista käyttölaite ja kierrepää putkesta.  
17. Irrota käyttölaite pistorasiasta kuivin käsin.  
18. Pyyhi öljy ja roskat kierteistä ja kierrepäästä. Varo loukkaamasta itseäsi teräviin lastuihin ja reunoihin. Puhdista mahdolliset öljyroiskeet työalueelta.

### Kierteiden tarkastus

- Poista mahdollinen öljy, lastut ja roskat kierteestä.
- Tarkasta kierre silmämääräisesti. Kierteiden on oltava tasaisia ja täydellisiä ja oikeanmuotoisia. Jos havaitaan rikkoutuneita tai ohuita kierteitä tai putken pyöreyspoikkeamaa, kierre ei ehkä tiivistä kunnolla käytön aikana. Katso "Vianmääritys" ja sen kaavio näiden ongelmien vianmääritystä varten.
- Tarkasta kierteen koko. Kierteen koon tarkastukseen suositellaan rengastulkkia. Rengastulkkeja on erilaisia ja niiden käyttö voi poiketa siitä, mitä on esitetty kuvassa 16.

- Kierrä rengastulkki käsivoimin kierteeseen.
- Katso, kuinka pitkälle putken pää menee rengastulkin läpi. Putken pää on oltava tulkin sivun tasalla +/- yksi kierros. Jos kierteen mitta ei ole oikea, katkaise kierre, säädä kierrepää ja leikkaa toinen kierre. Jos käytetään kierrettä, jonka mitat eivät ole oikein, seurauksena voi olla vuotoja.



**Kuva 16 – Kierteen koon tarkastus**

- Jos kierteen koon tarkastukseen ei ole käytettävissä rengastulkkia, on mahdollista käyttää uutta puhdasta liitintä, joka on samanlainen kuin työssä kierteen mittaamiseen käytetty liitin. 2" ja sitä pienemmät NPT-kierteet on leikatava niin, että liitintä voidaan kiertää paikalleen käsivoimin 4 - 5 kierrosta. 2" ja sitä pienemmille BSPT-kierteille tämä mitta on 3 kierrosta.

### Huolto-ohjeet

#### **VAROITUS**

**Varmista ennen huoltoa tai säätöjä, että työkalun ON/OFF-kytkin on OFF-asennossa ja työkalun pistoke irrotettu pistorasiasta.**

**Huolla työkalu näiden menetelmäohjeiden mukaisesti sähköiskusta, tarttumisesta ja muista syistä johtuvan tapaturmavaaran pienentämiseksi.**

#### Puhdistus

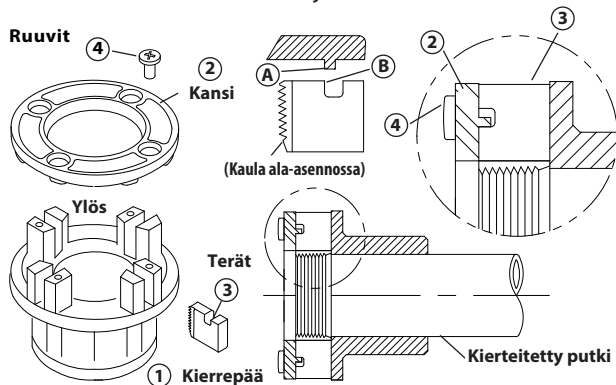
- Puhdista jokaisen käyttökerran jälkeen kierrelastut 418-öljyämislaitteen lastukaukalosta ja pyyhi öljyjäänteet.
- Puhdista mahdollinen öljy, rasva, lastut tai muu lika käyttölaitteesta sekä kahvoista ja säätimistä. Puhdista 690-l:n kiinnitysmekanismi.
- Pyyhi mahdollinen öljy, rasva tai lika tukivarresta. Puhdista tarvittaessa tukivarren leuat teräsharjalla.
- Poista lastut ja lika kierrepäästä.



## Terien vaihto 11-R-kierrepäihin

RIDGID 11-R-kierrepäihin on saatavana erilaisia teriä. Katso terien saatavuus luettelosta.

1. Irrota neljä ruuvia (4) kannesta (2) ja irrota suojalevy.
2. Irrota vanhat terät (3) kierrepäästä.
3. Aseta uudet terät loviin numeroitu reuna ylöspäin. Terien numeroiden on vastattava kierrepään lovien numeroita. Vaihda terät aina sarjana.



Kuva 17 – Terien asennus kierrepäähän

4. Asenna suojalevy ja kiristä neljä ruuvia kevyesti.
5. Aseta kierrepää valmiiksi kierteitettyyn putkeen, kunnes terät alkavat leikata kierrettä. Tämä pakottaa terien pidättimet (4) ulospäin suojalevyn korvakkeita (4) vasten ja asettaa koon oikein.
6. Kiristä neljä ruuvia kunnolla. Poista kierreputki ja tee testileikkaus.

## Moottorin harjojen vaihtaminen

Tarkasta moottorin harjat 6 kuukauden välein. Vaihda harjat, kun ne ovat kuluneet alle  $\frac{5}{16}$ " (8 mm:n) mittaan.



Kuva 18 – Harjan asennus

1. Kytke kone irti virtalähteestä.
2. Irrota harjasuojukset (kuvat 1 ja 2). Irrota ja tarkasta harjat. Vaihda harjat, kun ne ovat kuluneet alle  $\frac{5}{16}$ " (8 mm:n) mittaan. Tarkasta kollektori kulumisen varalta. Jos se on erittäin kulunut, toimita työkalu huollettavaksi.
3. Asenna harjat takaisin/asenna uudet harjat ja kiristä harjasuojukset kunnolla.
4. Laitetta on hyvä käyttää joutokäynnillä 15 eteenpäin ja sen jälkeen 15 minuuttia taaksepäin ennen käyttöä niin, että kollektorin harjat asettuvat paikoilleen.

## Lisävarusteet

### VAROITUS

Pienennä vakavien tapaturmien vaaraa käyttämällä ainoastaan lisävarusteita, jotka on suunniteltu ja joita nimenomaan suositellaan käytettäväksi 600-I ja 690-I Power Drive -käyttölaitteiden kanssa. Näitä ovat esimerkiksi alla luetellut. Muut lisävarusteet, jotka sopivat käytettäväksi muiden laitteiden kanssa, voivat olla vaarallisia 600-I and 690-I Power Drive -käyttölaitteiden kanssa käytettäessä.

## 600-I ja 690-I Power Drive -käyttölaitteiden lisävarusteet

Luettelo-nro	Kuvaus
45923	602 Tukivarsi
45928	692 Tukivarsi
46668	600-I Säilytyskotelo
46673	690-I Säilytyskotelo
10883	418 Öljyämislaitte ja 1 gallona (3,8 litraa) Nu-Clear-öljyä
16703	425 $\frac{1}{8}$ " - 2 $\frac{1}{2}$ " kolmijalkaruuvipuristin
36273	460-6 $\frac{1}{8}$ " - 6" kolmijalkaruuvipuristin
45543	115V Harjat
45588	230V Harjat

Lisätietoja työkalulle sopivista lisävarusteista on annettu RIDGID-luettelossa ja Internetissä osoitteessa RIDGID.com

## Laitteen varastointi

**VAROITUS** Käyttölaitteet on säilytettävä sisätiloissa tai hyvin sateelta suojattuina. Laite on säilytettävä lukitussa paikassa lasten ja asiattomien henkilöiden ulottumattomissa. Nämä laitteet voivat aiheuttaa vakavia henkilövahinkoja kouluttamattomien käyttäjien käsissä.

## Huolto ja korjaus

### ⚠ VAROITUS

**Virheellisen huollon tai korjauksen jälkeen koneen käyttö ei ehkä ole enää turvallista.**

Huolto-ohjeet kattavat useimmat tämän laitteen huoltotarpeita. Ongelmat, joita ei ole mainittu tässä kohdassa, on annettava aina valtuutetun RIDGID-huoltoteknikon korjattavaksi.

Työkalu tulee viedä valtuutettuun RIDGID-huoltoliikkeeseen tai palauttaa tehtaalle. Käytä vain RIDGID-varaosia.

Lisätietoja lähimmistä valtuutetuista RIDGID-huoltoliikkeistä, huollosta ja huoltoon liittyvistä kysymyksistä:

- Ota yhteys paikalliseen RIDGID-jälleenmyyjään.
- tab Lähimmän RIDGID-edustajan löydät osoitteesta RIDGID.com.
- Ridge Toolin tekniseen palveluosastoon saa yhteyden lähettämällä sähköpostia osoitteeseen [rtctechservices@emerson.com](mailto:rtctechservices@emerson.com) tai soittamalla Yhdysvalloissa ja Kanadassa numeroon (800) 519-3456.

## Kierteitysöljy

Lisätietoja RIDGID®-kierteitysöljyn käytöstä ja käsittelystä on annettu säiliöiden tarroissa ja käyttöturvallisuustiedotteessa (MSDS). Käyttöturvallisuustiedote (MSDS) on saatavana osoitteesta RIDGID.com tai ottamalla Yhdysvalloissa ja Kanadassa yhteyttä Ridge Toolin tekniseen palveluosastoon numerossa (800) 519-3456 tai lähettämällä sähköpostia osoitteeseen [rtctechservices@emerson.com](mailto:rtctechservices@emerson.com).

## Hävittäminen

Käyttölaitteiden osat sisältävät arvokkaita materiaaleja, ja ne voidaan kierrättää. Tällaisesta kierrätyksestä huolehtivat paikalliset erikoisyrietykset. Komponentit on hävitettävä kaikkien soveltuvien säännösten mukaan. Pyydä lisätietoja paikallisilta jätehuoltoviranomaisilta.



**EU-maat:** Älä hävitä sähkölaitteita kotitalousjätteen mukana!

EU:n sähkö- ja elektroniikkalaiteromudirektiivin 2012/19/ - EU ja sen kansallisen lainsäädännön täytäntöönpanon mukaan käytöstä poistetut sähkölaitteet on kerättävä erikseen ja hävitettävä tavalla, joka ei vahingoita ympäristöä.

## Vianmääritys

OIRE	MAHDOLLISIA SYITÄ	RATKAISU
<b>Kone ei käy.</b>	Harjat eivät koske pyörijään.	Tarkasta harjat, vaihda, jos ne ovat kuluneet.
<b>Kone ei kierteitä.</b>	Tylsät terät. Ylikuormitus repaleisten tai epäpyöreiden kierteiden vuoksi. Leikkuuöljyn heikko laatu tai riittämättömyys. Riittämätön verkkojännite.	Vaihda terät. Katso mahdolliset syyt alta.  Käytä RIDGID®-kierteitysöljyä riittävinä määrinä. Tarkasta syöttöjännite.
<b>Moottorin kollektorissa muodostuu kipinöitä.</b>	Huono kosketus harjojen ja kollektorin välillä. Harjat eivät koske kunnolla kollektoriin. Erimerkkiset harjat. Uudet harjat.	Kiristä harjasuojukset niin, että harjat painuvat tiiviisti kollektoria vasten. Vaihda kuluneet harjat tai pyörijä. Käytä vain RIDGID®-harjoja. Käytä laitetta eteen- ja taaksepäin 15 minuuttia niin, että harjat asettuvat paikalleen.
<b>Kierrepäät eivät ala kierteittää.</b>	Kierrepää ei ole putken pään tasalla. Voimaa ei kohdisteta oikein kierrepäähän. Putken päätä ei ole katkaistu suoraksi. Tylsät tai rikkoutuneet terät. Kone käy väärään suuntaan. Terät asetettu väärin kierrepäähän.	Paina kierrepään suojalevyä kierteityksen käynnistämiseksi. Kohdista voima putken keskilinjaa pitkin.  Katkaise putken pää suoraksi. Vaihda terät. Tarkasta F/R-liukukytkimen asento. Varmista, että kierteitysleuat ovat ulospäin suojalevyn ulokkeita vasten.
<b>Repaleiset kierteet.</b>	Vioittuneet, lohjenneet tai kuluneet terät. Väärä kierteitysöljy tai sitä on liian vähän. Materiaalille vääryntyyppinen terä.  Putken huono materiaali/laatu.	Vaihda terät.  Käytä ainoastaan RIDGID®-kierteitysöljyä riittävinä määrinä. Valitse sovellukseen soveltuvat pikateräksestä, ruostumattomasta teräksestä tai seoksesta valmistetut terät. Käytä korkealaatuisempaa putkea.
<b>Epäpyöreät tai litistyneet kierteet.</b>	Putken seinämä on liian ohut.	Käytä taulukon 40 tai sitä paksumpaa seinämää.
<b>Tukilaitte pyörii kierteityksen aikana.</b>	Tukivarren leuat likaiset. Tukivartta ei ole kohdistettu oikein. Tukivarsi ei ole tiukalla.	Puhdista teräsharjalla. Kohdista tukivarsi putken suuntaisesti. Kiristä ruuvi.
<b>Ohuet kierteet.</b>	Terät asennettu väärässä järjestyksessä.	Aseta terät kierrepään oikeisiin loviin.



# Napędy elektryczne

## 600-I/690-I



### **⚠ OSTRZEŻENIE!**

Przed przystąpieniem do użytkowania narzędzia prosimy dokładnie przeczytać ten podręcznik obsługi. Niedopełnienie obowiązku przyswojenia i stosowania się do treści niniejszego podręcznika obsługi może spowodować porażenie prądem, pożar i/lub poważne obrażenia.

#### Napędy elektryczne 600-I/690-I

Zapisz poniżej numer seryjny i numer seryjny produktu umieszczony na etykiecie z nazwą.

Numer seryjny

--	--

## Spis treści

<b>Formularz zapisu numeru seryjnego maszyny</b> .....	179
<b>Symbole ostrzegawcze</b> .....	181
<b>Informacje ogólne dotyczące bezpieczeństwa narzędzi elektrycznych</b> .....	181
Bezpieczeństwo w miejscu pracy .....	181
Bezpieczeństwo związane z elektrycznością.....	182
Bezpieczeństwo operatora .....	182
Użytkowanie i konserwacja narzędzia elektrycznego .....	182
Serwis.....	183
<b>Informacje szczegółowe dotyczące bezpieczeństwa</b> .....	183
Bezpieczeństwo związane z napędami elektrycznymi.....	183
<b>Opis, dane techniczne i standardowe wyposażenie</b> .....	184
Opis .....	184
Wyposażenie standardowe .....	185
Dane techniczne .....	185
<b>Przegląd przed rozpoczęciem pracy</b> .....	186
<b>Ustawienia i obsługa</b> .....	187
Zakładanie głowic gwinciarских .....	187
Równoważenie sił gwintowania.....	189
Gwintowanie .....	190
Sprawdzanie gwintów .....	191
<b>Instrukcje konserwacji</b> .....	191
Czyszczenie .....	191
Wymiana noży w głowicach 11-R.....	191
Wymiana szczotek silnika .....	192
<b>Wyposażenie dodatkowe</b> .....	192
<b>Przechowywanie urządzenia</b> .....	192
<b>Serwis i naprawa</b> .....	192
<b>Olej do gwintowania</b> .....	193
<b>Utylizacja</b> .....	193
<b>Rozwiązywanie problemów</b> .....	193
<b>Deklaracja zgodności WE</b> .....	Wewnętrzna strona tylnej okładki
<b>Okres gwarancji</b> .....	Tyłna okładka

\* Tłumaczenie instrukcji oryginalnej

## Symbole ostrzegawcze

W niniejszym podręczniku operatora oraz na produkcie symbole i słowa ostrzegawcze służą do przekazywania ważnych informacji dotyczących bezpieczeństwa. Niniejszy rozdział służyć ma lepszemu zrozumieniu wagi tych słów i symboli ostrzegawczych.



To jest symbol zagrożenia bezpieczeństwa. Ostrzega przed potencjalnym ryzykiem obrażeń ciała. Przestrzeganie wszystkich zasad bezpieczeństwa, które występują po tym symbolu, zapewnia uniknięcie obrażeń lub śmierci.

### ⚠ NIEBEZPIECZEŃSTWO

NIEBEZPIECZEŃSTWO oznacza sytuację niebezpieczną, która prowadzi do śmierci lub poważnych obrażeń, jeśli jej się nie zapobiegnie.

### ⚠ OSTRZEŻENIE

OSTRZEŻENIE oznacza sytuację niebezpieczną, która może spowodować śmierć lub poważne obrażenia, jeśli jej się nie zapobiegnie.

### ⚠ UWAGA

UWAGA oznacza ryzyko wystąpienia sytuacji, która może spowodować lekkie lub umiarkowane obrażenia, jeśli jej się nie zapobiegnie.

### NOTATKA

NOTATKA oznacza informację dotyczącą zabezpieczenia mienia.



Ten symbol oznacza, że należy dokładnie przeczytać podręcznik użytkownika, zanim zacznie się używać urządzenie. Podręcznik zawiera ważne informacje dotyczące bezpieczeństwa i prawidłowej obsługi sprzętu.



Ten symbol oznacza, że podczas przenoszenia lub obsługi urządzenia należy założyć okulary ochronne z osłonami bocznymi lub gogle w celu zmniejszenia ryzyka obrażeń oczu.



Ten symbol oznacza ryzyko pochwycenia palców, dłoni, odzieży i innych przedmiotów między przekładnie lub inne obracające się części prowadzącego do obrażeń na skutek zmiążdżenia.



Ten symbol oznacza ryzyko porażenia elektrycznego.



Ten symbol wskazuje na ryzyko przewrócenia urządzenia, co może spowodować obrażenia na skutek uderzenia lub zmiążdżenia.



Ten symbol nakazuje zdjęcie rękawic podczas obsługi tego narzędzia w celu zmniejszenia ryzyka zaplątania.



Ten symbol nakazuje użycie elementu podpierającego w celu równoważenia siły podczas gwintowania, poprawy kontroli i zmniejszenia ryzyka uderzenia, zmiążdżenia i/lub innych obrażeń.

## Informacje ogólne dotyczące bezpieczeństwa narzędzi elektrycznych\*

### ⚠ OSTRZEŻENIE

**Należy zapoznać się ze wszystkimi ostrzeżeniami, instrukcjami, ilustracjami i parametrami dotyczącymi bezpieczeństwa, dostarczonymi z tym narzędziem elektrycznym. Niestosowanie się do wszystkich poniższych instrukcji może spowodować porażenie prądem elektrycznym, pożar i/lub poważne obrażenia ciała.**

### ZACHOWAĆ WSZYSTKIE OSTRZEŻENIA I INSTRUKCJE NA PRZYSZŁOŚĆ!

Termin „narzędzie elektryczne” występujący w ostrzeżeniach odnosi się do urządzeń elektrycznych zasilanych z sieci (przewodowych) lub zasilanych z baterii (bezprowadowych).

## Bezpieczeństwo w miejscu pracy

- **Należy utrzymywać czyste i dobrze oświetlone miejsce pracy.** Nieuporządkowane i ciemne miejsce pracy zwiększa ryzyko wypadku.
- **Nie używać narzędzi elektrycznych w środowisku wybuchowym, czyli w pobliżu łatwopalnych cieczy, gazów lub pyłów.** Narzędzia elektryczne tworzą iskry, które mogą spowodować zapłon pyłu lub oparów.
- **Podczas obsługi narzędzia elektrycznego trzymać z dala dzieci i osoby postronne.** Odwrócenie uwagi może doprowadzić do utraty kontroli.

\* Tekst w rozdziale Informacje ogólne dotyczące bezpieczeństwa narzędzi elektrycznych niniejszego podręcznika jest, zgodnie z wymogiem, dosłownym cytowaniem stosowanej normy edycji UL/CSA 62841. Ten rozdział zawiera ogólne praktyki bezpieczeństwa dotyczące wielu różnych typów narzędzi elektrycznych. Nie wszystkie ostrzeżenia mają zastosowanie do każdego narzędzia, a niektóre nie mają zastosowania do tego narzędzia.

## Bezpieczeństwo związane z elektrycznością

- **Wtyczka narzędzia elektrycznego musi pasować do gniazdka zasilania. Nie wolno modyfikować wtyczki w jakikolwiek sposób. Nie stosować żadnych adapterów przy podłączaniu do gniazdka uziemionych narzędzi elektrycznych.** Niezmodyfikowane wtyczki i właściwe gniazda zasilania obniżają ryzyko porażenia prądem elektrycznym.
- **Należy unikać kontaktu ciała z powierzchniami uziemionymi, takimi jak rury, grzejniki, kuchenki i lodówki.** Ryzyko porażenia prądem wzrasta, gdy ciało ma styczność z uziemieniem.
- **Nie wystawiać narzędzi elektrycznych na działanie deszczu lub wilgoci.** Woda przedostająca się do wnętrza narzędzia elektrycznego zwiększa ryzyko porażenia prądem elektrycznym.
- **Nie wolno nadwyręzać przewodu. Nigdy nie używać przewodu do przenoszenia, ciągnięcia lub wyjmowania z gniazdka wtyczki narzędzia elektrycznego. Nie wystawiać przewodu na działanie gorąca, ostrych krawędzi lub poruszających się części.** Uszkodzone lub splątane przewody zwiększają ryzyko porażenia prądem elektrycznym.
- **Podczas pracy narzędziem elektrycznym na zewnątrz należy stosować przedłużacz odpowiedni do użytku na wolnym powietrzu.** Stosowanie przedłużacza odpowiedniego do użytku na otwartym powietrzu zmniejsza ryzyko porażenia prądem.
- **Jeżeli nie można uniknąć pracy w wilgotnym środowisku, należy zastosować zasilanie z wyłącznikiem różnicowo-prądowym (GFCI).** Stosowanie GFCI zmniejsza ryzyko porażenia prądem elektrycznym.

## Bezpieczeństwo operatora

- **Podczas pracy narzędziem elektrycznym należy kierować się zdrowym rozsądkiem i zachować ostrożność. Nie należy używać narzędzia elektrycznego w stanie zmęczenia lub pod wpływem narkotyków, alkoholu lub leków.** Chwila nieuwagi podczas pracy narzędziem elektrycznym może doprowadzić do poważnych obrażeń.
- **Należy stosować środki ochrony osobistej. Zawsze należy stosować ochronę oczu.** Odpowiednie środki ochrony osobistej, takie jak maska przeciwpyłowa, nieślizgające się obuwie ochronne, kask lub zabezpieczenie słuchu, stosowane w odpowiednich warunkach zmniejszają ryzyko obrażeń.

- **Zapobiegaj przypadkowemu uruchomieniu. Przed podłączeniem do zasilania i/ lub baterii, podnoszeniem lub przenoszeniem urządzenia upewnić się, że wyłącznik jest w położeniu wyłączenia.** Przenoszenie urządzenia z palcem na włączniku lub podłączanie do zasilania urządzenia z włącznikiem w położeniu włączenia może doprowadzić do wypadku.
- **Przed uruchomieniem narzędzia elektrycznego należy zdjąć z niego wszystkie klucze lub narzędzia służące do jego regulacji.** Urządzenie regulacyjne lub klucz założone na obracającej się części elektronarzędzia może spowodować obrażenia.
- **Nie należy sięgać za daleko. Przez cały czas utrzymywać odpowiednie oparcie dla stóp i równowagę.** Zapewni to lepszą kontrolę narzędzia elektrycznego w niespodziewanych sytuacjach.
- **Należy nosić odpowiednią odzież. Nie nosić luźnej odzieży ani biżuterii. Włosy, odzież i rękawice trzymać z dala od części ruchomych.** Luźna odzież, biżuteria lub długie włosy mogą zostać pochwycone przez ruchome elementy.
- **Jeżeli urządzenie jest wyposażone w przyłącznie odciągu pyłu i elementy zbierające, upewnić się, że są właściwie podłączone i działają prawidłowo.** Zbieranie pyłu może zmniejszyć ryzyko związane z zapyleniem.
- **Nie wolno dopuścić, aby rutyna płynąca z częstego używania doprowadziła do bezmyślnej obsługi i lekceważenia zasad bezpieczeństwa.** W ułamku sekundy beztroska może doprowadzić do poważnych obrażeń.

## Użytkowanie i konserwacja narzędzia elektrycznego

- **Nie przeciążać narzędzia elektrycznego. Używać właściwego narzędzia elektrycznego dla danego zastosowania.** Właściwe narzędzie elektryczne wykona sprawniej i bezpieczniej pracę, do której jest przeznaczone.
- **Nie używać narzędzia elektrycznego, jeśli wyłącznik nie włącza go i nie wyłącza.** Każde narzędzie elektryczne nie dające się kontrolować za pomocą wyłącznika jest niebezpieczne i musi zostać naprawione.
- **Przed dokonaniem jakichkolwiek regulacji, wymianą wyposażenia dodatkowego lub przechowywaniem narzędzia elektrycznego należy odłączyć je od źródła zasilania i/lub wyjąć akumulator.** Takie środki ostrożności zapobiegają przypadkowemu uruchomieniu narzędzia elektrycznego.



- **Wyłączone narzędzia elektryczne należy przechowywać z dala od dzieci. Nie pozwalać na użytkowanie narzędzi elektrycznych przez osoby nie zaznajomione z nimi lub z niniejszymi instrukcjami.** Narzędzia elektryczne są niebezpieczne w rękach nieprzeszkolonych użytkowników.
- **Narzędzie elektryczne i wyposażenie dodatkowe należy poddawać odpowiedniej konserwacji. Sprawdzić części ruchome pod kątem niewłaściwej regulacji lub ocierania, uszkodzenia części i wszystkich innych warunków, mających wpływ na pracę narzędzia elektrycznego. W razie wykrycia uszkodzenia narzędzia elektrycznego należy je naprawić przed użyciem.** Wiele wypadków spowodowanych jest przez niewłaściwie serwisowane narzędzia elektryczne.
- **Narzędzia do cięcia powinny być przez cały czas ostre i czyste.** Właściwie konserwowane narzędzia do cięcia z ostrymi krawędziami tnącymi są łatwiejsze do kontrolowania i nie blokują się tak często.
- **Używać narzędzia elektrycznego, wyposażenia dodatkowego, ostrzy itp. zgodnie z tymi instrukcjami, uwzględniając warunki robocze i pracę do wykonania.** Używanie narzędzi elektrycznych w czynnościach innych niż te, do których są przeznaczone, może doprowadzić do sytuacji niebezpiecznej.
- **Uchwyty i powierzchnie chwytu utrzymywać w stanie suchym, czystym i wolne od oleju oraz smarów.** Śliskie uchwyty i powierzchnie chwytu uniemożliwiają bezpieczną obsługę i kontrolę narzędzia w niespodziewanych sytuacjach.

## Serwis

- **Serwisowanie narzędzia elektrycznego należy powierzać wykwalifikowanej osobie używającej wyłącznie identycznych części zapasowych.** Dzięki temu zachowane jest bezpieczeństwo narzędzia elektrycznego.

## Informacje szczegółowe dotyczące bezpieczeństwa

### ⚠ OSTRZEŻENIE

**W tej części podano ważne informacje dotyczące bezpieczeństwa użytkowania tego narzędzia.**

**Przed pracą z napędami elektrycznymi należy dokładnie zapoznać się z niniejszymi zaleceniami, aby zmniejszyć ryzyko porażenia prądem elektrycznym lub poważnych obrażeń ciała.**

## ZACHOWAJ TE INSTRUKCJE!

Niniejszy podręcznik przechowywać wraz z urządzeniem do użytku operatora.

## Bezpieczeństwo związane z napędami elektrycznymi

- **Zawsze używać przyrządu podporowego, dostarczonego z narzędziem.** Utrata kontroli podczas pracy może doprowadzić do kontuzji.
- **W trakcie pracy z urządzeniem rękawy i kurtki powinny pozostawać zapięte. Nie pochylać się nad narzędziem, ani nad rurą.** Rura lub narzędzie może pochwycić odzież, powodując uwięźnięcie.
- **Proces roboczy i działanie urządzenia powinna kontrolować na raz tylko jedna osoba.** Dodatkowe osoby zaangażowane w proces mogą doprowadzić do niezamierzonej pracy i kontuzji.
- **Utrzymywać podłogi suche, i wolne od śliskich materiałów, jak np. oleju.** Śliskie podłogi zwiększają ryzyko wypadków.
- **Podczas pracy z urządzeniem nie należy używać rękawic. Nie pochylać się nad narzędziem, ani nad rurą.** Rura lub narzędzie może pochwycić rękawice, powodując uwięźnięcie.
- **Zawsze podczas gwintowania lub wycofywania głowicy gwinciarzkiej z rury, w celu zrównoważenia sił gwintowania należy mocno trzymać napęd elektryczny bez względu na to, czy używany jest element podpierający.** Zmniejszy to ryzyko uderzenia, zmiążdżenia lub innych obrażeń.
- **Należy przestrzegać instrukcji prawidłowej obsługi tego urządzenia. Nie używać do innych celów, jak wiercenie dziur, czy nawijanie.** Inne sposoby użycia lub modyfikacja tej maszyny do innych zastosowań mogą zwiększyć ryzyko poważnych obrażeń ciała.
- **Nie stosować tego napędu elektrycznego, jeżeli przycisk wyłącznika (ON/OFF) jest uszkodzony.** Ten przycisk jest urządzeniem zabezpieczającym, wyłączającym silnik poprzez zwolnienie przycisku.
- **Nie używać tępych ani uszkodzonych noży.** Naostrzone narzędzia tnące wymagają mniejszego momentu obrotowego i kontrola napędu elektrycznego jest łatwiejsza.
- **Uchwyty utrzymywać w stanie suchym, czystym, bez olejów i smarów.** Umożliwi to lepsze panowanie nad narzędziem.

- **Stosować wyłącznie głowice nożowe RIDGID do napędów elektrycznych RIDGID.** Inne głowice nożowe mogą nie pasować prawidłowo do napędu elektrycznego, zwiększając ryzyko uszkodzenia urządzenia i odniesienia obrażeń ciała.

W razie jakichkolwiek pytań dotyczących tego produktu RIDGID® należy:

- skontaktować się z lokalnym dystrybutorem firmy RIDGID.
- odwiedzić stronę RIDGID.com w celu znalezienia lokalnego punktu kontaktowego RIDGID.
- skontaktować się z Działem Pomocy Technicznej firmy Ridge Tool po adresem [rttechservices@emerson.com](mailto:rttechservices@emerson.com) lub w USA i Kanadzie zadzwonić na numer (800) 519-3456.

## Opis, dane techniczne i standardowe wyposażenie

### Opis

Modele napędów elektrycznych RIDGID® 600-I i 690-I są napędami z podwójną izolacją, podającymi moc do gwintowania rury i obwód. Kierunek obrotów do przodu i do tyłu można ustawiać za pomocą suwaka, a wyłącznikiem zasilania jest dwustanowy chwilowy przełącznik zwrotny.

Napęd elektryczny 600-I jest przeznaczony do użytku z głowicami gwinciarzskimi z końcówką przegubową RIDGID 11-R (rury 1/8 – 1 1/4 cala). Napęd elektryczny 690-I jest przeznaczony do użytku z głowicami gwinciarzskimi z końcówką przegubową RIDGID 11-R (1/8 – 2 cale). Do użycia z rozmiarami rur 1/8 – 1 1/4 cala napęd elektryczny 690-I wymaga adaptera. Adapter i rozmiary 1 1/2 – 2 cale utrzymywane są w napędzie elektrycznym 690-I za pomocą mechanizmu blokującego.



Rys. 2 – Model napędu elektrycznego 690-I



Rys. 3 – Wsporniki 602/692

Tabliczka z numerem seryjnym modeli 600-I i 690-I znajduje się w dolnej części obudowy silnika. Ostatnie 4 cyfry numeru seryjnego oznaczają miesiąc i rok produkcji (MMRR).



Rys. 1 – Model napędu elektrycznego 600-I

<b>RIDGID</b>			
Ridge Tool Company, Elyria, Ohio, U.S.A.			
Model No.	600-I	~	50 / 60 Hz
V	230	A	5
Capacity	1/8" - 1 1/4"		n <sub>0</sub> 32 /min
Serial No.			

Rys. 4 – Numer seryjny urządzenia

## Wyposażenie standardowe

Napędy elektryczne modeli 600-I/690-I dostarczane są w zestawach zawierających:

- napęd elektryczny,
- adapter 690-I (tylko model 690-I),
- podręcznik obsługi.

**NOTATKA** Za wybór odpowiednich materiałów i montażu, metod łączenia i formowania odpowiedzialni są projektant instalacji i/lub monter. Wybór niewłaściwych materiałów i metod może prowadzić do awarii instalacji.

Stal nierdzewna i inne odporne na korozję materiały mogą ulec zanieczyszczeniu podczas montażu, łączenia i formowania. Takie zanieczyszczenie może być przyczyną korozji i przedwczesnej awarii. Przed przystąpieniem do montażu należy przeprowadzić dokładne oszacowanie materiałów oraz metod dla specyficznych warunków pracy, w tym chemikalia i temperaturę.

## Dane techniczne

Parametr	Napęd elektryczny 600-I	Napęd elektryczny 690-I
Zdolność gwintowania rur	1/8 do 1 1/4 cala (3 do 32 mm)	1/8 do 2 cali (3 do 50 mm)
Osadzenie głowicy gwinciarzkiej	Sprężyna pierścieniowa	Mechanizm blokujący (1 1/2 – 2 cale) Sprężyna pierścieniowa (1/8 – 1 1/4 cala)
Gwinty lewostr.	Tak	Tak
Wspornik	Nr 602, nr 601	Nr 692, nr 691
Adapter	Nie wymagany.	Stosowany z głowicami gwinciarzkimi 1/8 do 1 1/4 cala.
Typ silnika	Silnik uniwersalny, jednofazowy	Silnik uniwersalny, jednofazowy
Moc (W)	1270 (120V), 1020 (220-240V)	1270 (120V), 1020 (220-240V)
Stosowane napięcie/faza	120V/1PH, 220-240V/1PH	120V/1PH, 220-240V/1PH
Natężenie prądu	12A (120V), 5A (220-240V)	12A (120V), 5A (220-240V)
Prędkość robocza (obr./min.)	36 (120V), 32 (220-240V)	36 (120V), 32 (220-240V)
Elementy sterujące	Przełącznik suwakowy do przodu/do tyłu Dwustanowy chwilowy wyłącznik zwierny ON/OFF	Przełącznik suwakowy do przodu/do tyłu Dwustanowy chwilowy wyłącznik zwierny ON/OFF
Głowica przekładni	Odlewana aluminiowa, trwale smarowana	Odlewana aluminiowa, trwale smarowana
Długość	20 cali (508 mm)	24,13 cala (613 mm)
Szerokość	3,75 cala (95 mm)	4,75 cala (121 mm)
Wysokość	7,5 cala (191 mm)	8 cali (203 mm)
Masa	12,65 funta (5,7 kg)	21,15 funta (9,6 kg)
Ciśnienie akustyczne (L <sub>PA</sub> )*	83 dB(A), K=3	83 dB(A), K=3
Moc akustyczna (L <sub>WA</sub> )*	94 dB(A), K=3	94 dB(A), K=3
Wibracje*	<2,5 m/s <sup>2</sup> , K=1.5	<2,5 m/s <sup>2</sup> , K=1.5

\* Pomiary dźwięku i wibracji są dokonywane zgodnie ze standaryzowanymi badaniami zgodnymi z Normą IEC62841-1.

- Poziomy wibracji mogą zostać użyte do porównania z innymi narzędziami oraz wstępnej oceny narażenia.
- Emisja dźwięku i wibracji może się różnić w zależności od położenia i konkretnego zastosowania narzędzi.
- Poziomy dziennego narażenia na dźwięk i wibracje muszą zostać oszacowane dla każdego zastosowania, a także zastosowane odpowiednie środki zapobiegawcze, jeśli zajdzie taka potrzeba. Oszacowanie poziomów narażenia powinno uwzględniać czas, gdy narzędzie jest wyłączone i nie jest w użytku. Może to drastycznie zmniejszyć poziom narażenia w całkowitym czasie pracy.

## Przegląd przed rozpoczęciem pracy

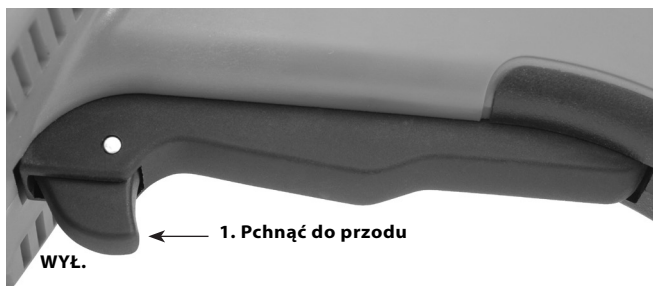
### ⚠ OSTRZEŻENIE



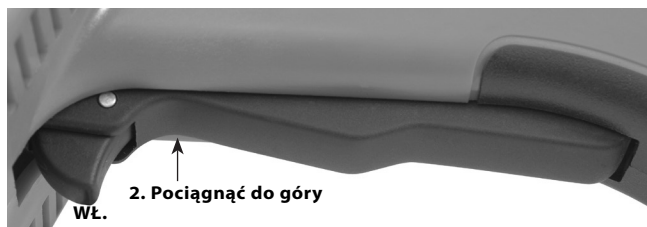
**Przed każdym użyciem należy dokonać przeglądu napędu elektrycznego i usunąć wszelkie problemy, aby zmniejszyć ryzyko poważnych obrażeń ciała na skutek porażenia prądem elektrycznym, zmiążdżenia i innych przyczyn oraz zapobiec uszkodzeniu napędu.**

1. Upewnić się, że napęd jest odłączony od gniazdka zasilania.
2. Usunąć wszelkie zabrudzenia, oleje i smary z napędu i elementu podpierającego, w tym z uchwytów i elementów sterowania. Ułatwi to przegląd i sprawi, że całe narzędzie lub element sterowania nie wyślizgnie się z ręki operatora.
3. Dokonać przeglądu napędu elektrycznego i ramienia wspierającego pod kątem takich czynników jak:
  - uszkodzenia lub modyfikacje przewodu i wtyczki.
  - właściwy montaż, konserwacja i kompletność narzędzia.
  - uszkodzone, nieustawione w osi lub ocierające się części.
  - prawidłowość działania dwustanowego chwilowego przełącznika zwiernego ON/OFF (Rys. 5).
  - dobry stan i czystość zęba chwytającego ramienia wspornika. Ząb można czyścić szczotką drucianą.
  - obecność i czytelność etykiet ostrzegawczych.
  - wszelkie inne stany, które mogą negatywnie wpłynąć na bezpieczne, normalne działanie.

W razie wykrycia jakichkolwiek problemów nie należy używać napędu elektrycznego ani wspornika do momentu usunięcia problemów.



Rys. 5A – Dwustanowy chwilowy wyłącznik zwierny ON/OFF

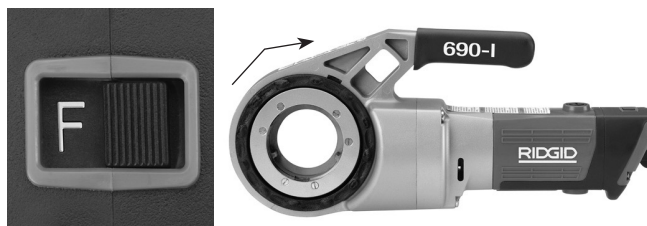


Rys. 5B – Dwustanowy chwilowy wyłącznik zwierny ON/OFF

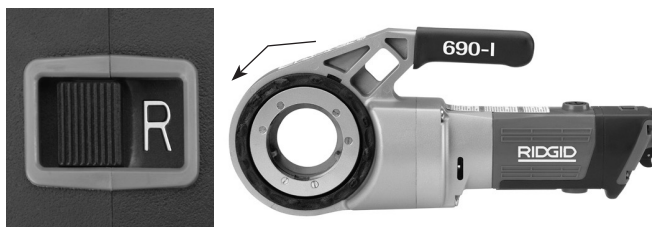
4. Sprawdzić krawędzie tnące noży pod kątem zużycia, zdeformowania, wyszczerbień lub innych problemów. Stępione lub uszkodzone narzędzia do cięcia wymagają większej siły, wykonują gwinty słabszej jakości i zwiększają ryzyko obrażeń.
5. Dokonać przeglądu i konserwacji całego innego sprzętu używanego zgodnie z instrukcjami, aby zapewnić jego prawidłowe działanie.
6. Sprawdzić prawidłowe działanie napędu według instrukcji podanych w części Ustawienia i obsługa.
  - Ustawić przełącznik F/R (obroty do przodu/do tyłu) w położeniu F (do przodu). Nacisnąć i zwolnić wyłącznik (Rys. 5). Upewnić się, że napęd obraca się w kierunku zgodnym z ruchem wskazówek zegara (p. Rys. 6) i zatrzymuje się po zwolnieniu wyłącznika.
  - Powtórzyć te czynności dla obrotów do tyłu (R, w lewo). Jeśli napęd nie obraca się we właściwym kierunku lub wyłącznik nie kontroluje działania urządzenia, nie należy używać urządzenia do momentu jego naprawy.

**NOTATKA** Ustawienie przełącznika suwakowego F/R zmieniać tylko przy zwolnionym wyłączniku ON/OFF. Przed zmianą kierunku obrotów na przeciwny za pomocą przełącznika suwakowego F/R pozostawić napęd do całkowitego zatrzymania. Zmniejszy to ryzyko uszkodzenia napędu elektrycznego.

- Nacisnąć i przytrzymać wyłącznik ON/OFF. Dokonać przeglądu części ruchomych pod kątem właściwego ustawienia w osi, zacinania, nietypowych hałasów lub innych nienormalnych warunków. Zwolnić wyłącznik ON/OFF. W przypadku wykrycia jakichkolwiek nieprawidłowości nie używać urządzenia do momentu jego naprawy.



Rys. 6A – Położenie przełącznika F (DO PRZODU) (obroty w prawo)



Rys. 6B – Położenie przełącznika R (DO TYŁU) (obroty w lewo)

- Zwolnić wyłącznik ON/OFF i suchymi rękoma wyciągnąć wtyczkę urządzenia z gniazdka.

## Ustawienia i obsługa

### ⚠ OSTRZEŻENIE



Regulację i obsługę napędu elektrycznego należy przeprowadzać według podanych tu instrukcji, aby zmniejszyć ryzyko na skutek porażenia prądem elektrycznym, zaplątania, uderzenia, zmiężdżenia i innych przyczyn oraz zapobiec uszkodzeniu napędu.

Elementu podpierającego należy użyć według podanych tutaj instrukcji. Elementy podpierające zwiększają kontrolę nad urządzeniem oraz zmniejszają ryzyko uderzenia, zmiężdżenia i/lub innych obrażeń ciała.

W przypadku używania innego elementu podpierającego niż dostarczone ramię wspornika element należy przyłożyć do obudowy przekładni lub obudowy wirnika. Elementy podpierające, stykając się z obudową silnika lub uchwytem, mogą uszkodzić te części lub zwiększyć ryzyko obrażeń.

Zawsze podczas gwintowania lub wycofywania głowicy noży z rury należy w celu zrównoważenia działających sił mocno trzymać napęd elektryczny bez względu na to, czy używany jest element podpierający. Zmniejszy to ryzyko uderzenia, zmiężdżenia lub innych obrażeń.

Nie zakładać rękawic ani luźnej odzieży. Zapinać rękawy i kurtki. Luźna odzież może zaplątać się w wirujące części i spowodować obrażenia na skutek zmiężdżenia lub uderzenia.

Odpowiednio podeprzeć rurę. Zmniejszy to ryzyko upadku lub przechyłu rury, a przez to poważnych obrażeń.

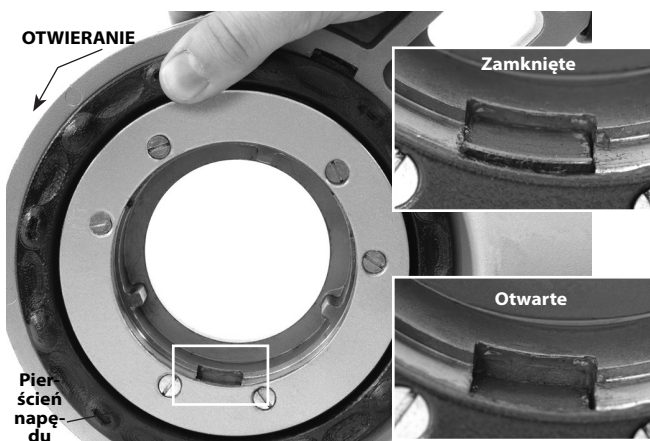
Nie używać napędu, jeśli wyłącznik ON/OFF i przełącznik suwakowy kierunku obrotów R/F nie działają prawidłowo.

Jedna osoba musi sterować zarówno procesem roboczym, jak i wyłącznikiem ON/OFF. Urządzenia nie powinny obsługiwać więcej niż jedna osoba. W przypadku pochwycenia operator musi użyć wyłącznika ON/OFF.

- Sprawdzić miejsce pracy pod kątem warunków takich jak:
    - Odpowiednie oświetlenie.
    - Występowanie łatwopalnych cieczy, oparów lub pyłu mogących spowodować zapłon. Jeśli one występują, nie pracować na tym obszarze, dopóki źródła tych zanieczyszczeń nie zostaną rozpoznane i usunięte. Napędy elektryczne nie są zabezpieczone przed wybuchem i mogą generować iskry.
    - Czyste, równe, stabilne i suche miejsce dla wszystkich urządzeń i operatora.
    - Dobra wentylacja. Nie używać nadmiernie urządzenia w małych, zamkniętych obszarach.
    - Prawidłowo uziemione gniazdko elektryczne o odpowiednim napięciu. W razie wątpliwości należy zlecić przegląd gniazdka uprawnionemu elektrykowi.
    - Przygotować ścieżkę do gniazdka elektrycznego, na której nie będzie żadnych potencjalnych źródeł uszkodzeń przewodu elektrycznego.
  - Sprawdzić rurę, która ma być gwintowana, oraz powiązane elementy instalacji, a następnie potwierdzić, że wybrany napęd elektryczny jest właściwym narzędziem do planowanej czynności. *Patrz Dane techniczne.* Używać wyłącznie do rur prostych.
 

Sprzęt do innych zastosowań można znaleźć w katalogu firmy Ridge Tool, na witrynie internetowej RIDGID.com lub poprzez kontakt telefoniczny z działem serwisu firmy Ridge Tool pod numer (800) 519-3456 w USA i Kanadzie.
  - Upewnić się, że sprzęt do użycia został właściwie sprawdzony.
  - Odpowiednio przygotować rurę według potrzeb. Upewnić się, że rura jest obciążona pod kątem prostym i oczyszczona z wiórów. Cięcie rury pod kątem może uszkodzić noże podczas gwintowania lub utrudnić osadzenie głowicy gwinciarzkiej.
- ### Zakładanie głowic gwinciarzskich
- Zakładanie głowicy gwinciarzkiej 1½ lub 2 cale na adapter w modelu 690-I:
    - Upewnić się, że wyłącznik ON/OFF jest zwolniony i napęd odłączony od gniazdka zasilania.

- b. Obrócić pierścień napędu w lewo, aby otworzyć mechanizm blokujący. Wsadzić do końca wypust głowicy lub adaptera (jeśli wymagany) w napęd (Rys. 7).
- c. Zwolnić pierścień napędu i upewnić się, że głowica/adapter jest mocno osadzony.
- d. W celu zdjęcia wykonać czynności w odwrotnej kolejności.



**Rys. 7 – Mechanizm blokujący, pierścień napędu w położeniu zamknięte/otwarte**



**Rys. 8 – Montaż adaptera na modelu 690-I**

6. Zakładanie głowic gwinciarских do 1¼ cala:
  - a. Upewnić się, że wyłącznik ON/OFF jest zwolniony i napęd odłączony od gniazdka zasilania.
  - b. W razie potrzeby założyć w modelu 690-I adapter (Rys. 8).

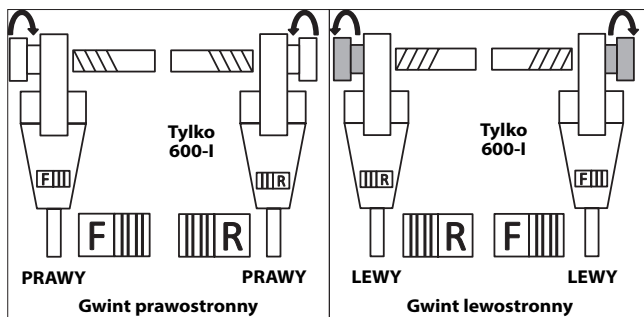
- c. Włożyć pod kątem prostym do napędu ośmiokątną końcówkę głowicy gwinciarских 11-R, aż zostanie zablokowana przez pierścień sprężyny. W modelu 600-I głowicę gwinciarских można włożyć od drugiej strony napędu. W modelu 690-I głowicę gwinciarских można wkładać jedynie od strony adaptera.

- d. W celu zdjęcia ściągnąć głowicę z napędu. W razie potrzeby wybić głowicę młotkiem z miękką końcówką lub klockiem drewnianym. Nie wolno uderzać mocno w głowicę, ponieważ może to uszkodzić narzędzie.



**Rys. 9 – Montaż głowic gwinciarских na napęd elektryczny 600-I**

7. Ustawić przełącznik suwakowy F/R napędu dla żądane go gwintu prawoskrętnego lub lewoskrętnego. Patrz Rys. 10.



**Rys. 10 – Ustawianie przełącznika suwakowego/głowicy gwinciarских**

8. Upewnić się, że rura do gwintowania jest stabilna i zamocowana, aby nie doszło do przechyłu podczas pracy. Użyć odpowiednich stojaków do rury na całej jej długości.
9. Sprawdzić poziom oleju do gwintowania RIDGID w olejarkę RIDGID 418. Zdjąć pokrywkę z wgłębieniami i upewnić się, że płytka filtra jest czysta i całkowicie zanurzona w oleju. W razie potrzeby wymienić lub uzupełnić olej. Ustawić zbiornik olejarki 418 pod końcówką rury do gwintowania.

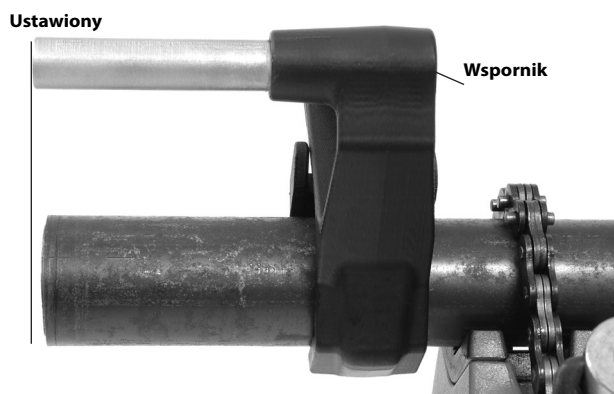
## Równoważenie sił gwintowania

Użycie dostarczonego wspornika:

- Należy zawsze używać dostarczonego z napędem wspornika (wspornik 601 lub 602 do modelu 600-I, wspornik 691 lub 692 do modelu 690-I), jeśli nie utrudnia tego mała przestrzeń robocza czy inne warunki. Wspornik mocuje się do rury, aby zrównoważyć siły gwintowania.
- Ustawić wspornik na rurze tak, aby jego koniec wyrównał się z końcem rury, a ramię było ustawione poziomo (Rys. 11). Jest to prawidłowe ustawienie wspornika do gwintowania, zabezpieczające przed dostaniem się oleju do gwintowania do silnika (Rys. 12).
- Upewnić się, że szczęki wspornika są ustawione pod kątem prostym względem rury, i dokręcić mocno wspornik.



Rys. 11A – Ustawianie wspornika



Rys. 11B – Ustawianie wspornika



Rys. 12 – Prawidłowa orientacja napędu elektrycznego

Kiedy wspornika nie należy używać:

W sytuacji, gdy rura jest zamontowana w instalacji lub w miejscu swojego przeznaczenia, ograniczona przestrzeń może wykluczyć użycie wspornika.

- Jeśli to możliwe, należy rurę wymontować z instalacji i nagwintować ją w imadle. Jeśli to nie jest możliwe, do zrównoważenia sił gwintowania należy wykorzystać inne elementy podpierające, można oprzeć obudowę przekładni napędu lub wirnika o element konstrukcyjny budynku (np. o ściany, belki i legary). Wymaga to, aby rura i elementy konstrukcyjne mogły utrzymać ciężar narzędzia i siły gwintowania. Może okazać się konieczne dodanie prowizorycznych lub stałych wsporników rury lub elementów konstrukcyjnych.
- W przypadku gwintów prawostronnych głowica gwinciarska będzie obracać się w prawo (patrząc od czoła głowicy). Siły wytworzone przez moment obrotowy gwintowania będą działały w przeciwnym kierunku lub w lewo. W przypadku gwintów lewostronnych kierunek obrotu i siły będą odwrócone. Upewnić się, że element podpierający jest odpowiednio ustawiony, aby pochłoniąć siłę gwintowania.
- Nie opierać silnika ani uchwytu napędu elektrycznego o przyległe elementy konstrukcyjne budynku w celu zrównoważenia sił gwintowania, ponieważ może to spowodować uszkodzenie napędu.
- Oprzeć napęd elektryczny o elementy konstrukcyjne, nie wkładać palców ani dłoni między napęd elektryczny i element konstrukcyjny. Zawsze podczas wycofywania głowicy gwinciarskiej przytrzymać mocno napęd w celu zrównoważenia sił powstających na skutek zrywania skrawków gwintu. Czynności te zmniejszą ryzyko uderzenia, zmiżdżenia lub innych obrażeń. Wyłącznik ON/OFF można zwolnić w każdym momencie w celu wyłączenia napędu.

Zawsze podczas gwintowania lub wycofywania głowicy gwintującej z rury, w celu zrównoważenia sił, należy mocno trzymać napęd elektryczny bez względu na to, czy używany jest element podpierający. Zmniejszy to ryzyko uderzenia, zmiążdżenia lub innych obrażeń. Przełącznik ON/OFF można zwolnić w każdym momencie w celu wyłączenia napędu elektrycznego.

## Gwintowanie

10. Suchymi rękoma podłączyć wtyczkę do gniazdka zasilającego.
11. Ustawić głowicę gwinciarzką nad końcówką rury i podeprzeć napęd elektryczny jak wskazano w części *Równoważenie sił gwintowania*.



Rys. 13 – Rozpoczynanie gwintu

12. Jednocześnie naciskając wyłącznik ON/OFF, wolną drugą ręką dociskać pokrywę głowicy gwinciarzkiej w celu rozpoczęcia gwintowania. Przy dociskaniu pokrywy nie nosić rękawic, biżuterii ani używać szmatki - może to zwiększyć ryzyko zapłątania i obrażeń. Kiedy noże pochwyć rurę, gwint będzie wycinany w wyniku wzajemnego ciągnięcia noży na końcówce rury.

Zawsze mocno trzymać uchwyt napędu elektrycznego, aby zrównoważyć siły działające na uchwyt. Elementy wspornikowe mogą wysliznąć się i spowodować przesunięcie napędu elektrycznego. Wyłącznik ON/OFF można zwolnić w każdym momencie w celu wyłączenia napędu.

13. Zaprzestać dociskania pokrywy, a następnie za pomocą olejarki nałożyć obfitą ilość oleju do gwintowania RIDGID na obszar gwintowania. Obniży to moment obrotowy gwintowania, poprawi jakość gwintu i zwiększy żywotność noży.



Rys. 14 – Gwintowana rura

14. Naciskać wyłącznik ON/OFF, aż końcówka rury zrówna się z krawędzią noży, po czym go zwolnić. Pozostawić napęd, aż całkowicie się zatrzyma.



Rys. 15 – Rura równa z krawędzią noży

15. Przetawić przełącznik suwakowy F/R na kierunek do tyłu i naciskając wyłącznik ON/OFF zdjąć głowicę gwinciarzką z nagwintowanej rury. Trzymać mocno uchwyt napędu elektrycznego w celu zrównoważenia sił działających na uchwyt podczas wycofywania głowicy.

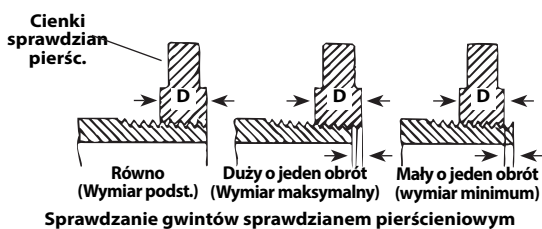
**NOTATKA** Ustawienie przełącznika suwakowego F/R zmieniać tylko przy zwolnionym wyłączniku ON/OFF. Przed zmianą kierunku obrotów na przeciwny za pomocą przełącznika suwakowego F/R pozostawić napęd do całkowitego zatrzymania. Zmniejszy to ryzyko uszkodzenia napędu elektrycznego.



16. Zwolnić wyłącznik i zdjąć napęd i głowicę gwinciarzką z rury.
17. Suchymi rękoma odłączyć wtyczkę napędu z gniazdka zasilającego.
18. Wytrzeć olej i skrawki z gwintu oraz głowicy gwinciarzkiej, uważając, aby nie skaleczyć się o ostre krawędzie i skrawki. Usunąć plamy oleju z obszaru roboczego.

## Sprawdzanie gwintów

1. Usunąć z gwintu olej, wióry i pozostałości.
2. Dokonać przeglądu wzrokowego gwintu. Gwint powinien być gładki, wykończony i niezdeformowany. Takie problemy, jak rozdzieranie gwintów, cienki gwint lub niesymetryczność rury, mogą sprawić, że gotowy gwint nie będzie szczelny. Patrz tabela „Rozwiązywanie problemów” w celu zdiagnozowania przyczyn takich problemów.
3. Sprawdzić wymiar gwintu. Preferowaną metodą sprawdzania wymiaru gwintu jest pomiar za pomocą sprawdzianu pierścieniowego. Istnieją różne rodzaje sprawdzianów pierścieniowych, a sposób ich użycia może różnić się od pokazanego na Rys. 16.
  - Nakręcić sprawdzian pierścieniowy na gwint ręką do oporu.
  - Sprawdzić, na ile końcówka rury wystaje przez sprawdzian pierścieniowy. Końcówka rury powinna zrównać się z bokiem sprawdzianu z tolerancją puls minus jednego obrotu. Jeśli pomiar gwintu sprawdzianem nie jest prawidłowy, odciąć gwint, ustawić głowicę i wyciąć nowy gwint. Gwint o nieprawidłowym pomiarze sprawdzianem może przeciekać.



Rys. 16 – Sprawdzanie wymiaru gwintu

- Jeśli sprawdzian pierścieniowy do sprawdzenia wymiaru gwintu nie jest dostępny, można użyć nowego czystego elementu instalacji, odpowiadającego przyrządowi używanego do sprawdzania wymiaru gwintu. W przypadku gwintów 2 cale i mniejszych niż NPT należy je tak wyciąć, aby uzyskać szczelne trzymanie z elementem instalacji po 4 do 5 obrotach dokręcania ręką, w przypadku gwintów 2 cale i poniżej BSPT są to 3 obroty.

## Instrukcje konserwacji

### ⚠ OSTRZEŻENIE

**Przed rozpoczęciem jakichkolwiek czynności konserwacyjnych lub regulacji upewnić się, że wyłącznik ON/OFF jest zwolniony, a samo urządzenie odłączone od źródła zasilania.**

**Urządzenie należy konserwować według tych procedur, aby zmniejszyć ryzyko obrażeń na skutek porażenia prądem elektrycznym, zaplątania i innych przyczyn.**

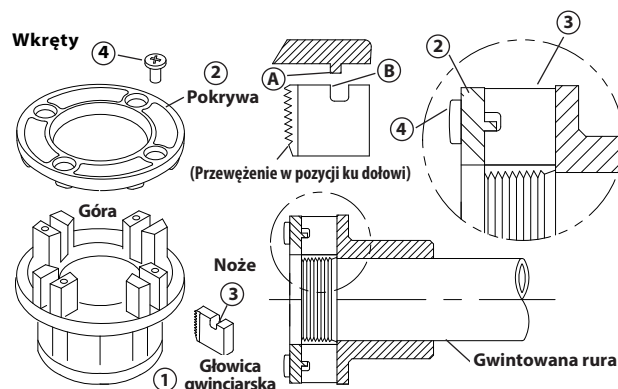
## Czyszczenie

1. Po każdym użyciu należy usunąć wióry z gwintowania z tacki na wióry olejarki 418 i wytrzeć wszystkie pozostałości oleju.
2. Usunąć wszelkie zabrudzenia, oleje i smary z napędu elektrycznego, w tym z uchwytów i elementów sterowania. W modelu 690-I oczyścić mechanizm blokujący.
3. Wytrzeć cały olej, smar i brud ze wspornika. W razie potrzeby oczyścić szczęki wspornika szczotką drucianą.
4. Usunąć wióry i brud z noży głowicy.

## Wymiana noży w głowicach 11-R

Do montażu w głowicach gwinciarzskich RIDGID 11-R dostępnych jest wiele noży. Informacje na ten temat podane są w katalogu.

1. Wykręcić cztery śruby (4) z pokrywy (2) i zdjąć płytkę pokrywy.
2. Wyjąć stare noże (3) z głowicy gwinciarzkiej.
3. Włożyć w gniazda nowe noże – krawędzią z numerem do góry. Numery na nożach muszą odpowiadać numerom na gniazdach noży w głowicy. Wymieniać zawsze cały zestaw.



Rys. 17 – Zakładanie noży do głowicy

4. Założyć pokrywę i dokręcić nieco cztery śruby.
5. Osadzić głowicę gwinciarzką na nagwintowanej już rurze, aż noże zaczną ciąć gwint. Wymusza to zatrzymanie się noży ④ naprzeciwko wypustów ④ na pokrywie i ustawienie właściwego wymiaru.
6. Dokręcić mocno cztery śruby. Wyjąć gwintowaną rurę i przeprowadzić gwintowanie testowe.

## Wymiana szczotek silnika

Szczotki silnika sprawdzać co 6 miesięcy. Wymienić je, kiedy się zetrą poniżej  $\frac{5}{16}$  cala (8 mm).



Rys. 18 – Montaż szczotek

1. Odłączyć urządzenie od gniazdka zasilającego.
2. Wykręcić zatyczki szczotek (Rys. 1 i 2). Wyjąć i sprawdzić szczotki. Wymienić je, kiedy się zetrą poniżej  $\frac{5}{16}$  cala (8 mm). Sprawdzić zużycie komutatora. W razie nadmiernego zużycia oddać narzędzie do serwisu.
3. Założyć ponownie stare szczotki/wymienić na nowe i mocno dokręcić zatyczki szczotek.
4. Zaleca się pozostawienie urządzenia na przebiegu jałowym przez 15 minut w kierunku do przodu, a następnie przez 15 minut w kierunku do tyłu, aby szczotki osadziły się na komutatorze przez ponownym użytkowaniem urządzenia.

## Wyposażenie dodatkowe

### ⚠ OSTRZEŻENIE

**Aby zmniejszyć ryzyko poważnych obrażeń, należy używać wyłącznie wyposażenia dodatkowego specjalnie zaprojektowanego i zalecanego do użycia z napędami elektrycznymi 600-I i 690-I podanym poniżej. Inne elementy wyposażenia dodatkowego odpowiednie do użycia z innymi narzędziami mogą okazać się niebezpieczne w użyciu z napędami elektrycznymi 600-I i 690-I.**

## Wyposażenie dodatkowe modeli 600-I i 690-I

Nr katalogowy	Opis
45923	Wspornik 602
45928	Wspornik 692
46668	Walizka 600-I
46673	Walizka 690-I
10883	Olejarka 418 z 1 galonem (3,8 l) oleju Nu-Clear
16703	Imadło 425 $\frac{1}{8}$ - 2 $\frac{1}{2}$ cala TRISTAND
36273	Imadło 460-6 $\frac{1}{8}$ - 6 cali TRISTAND
45543	Szczotki 115 V
45588	Szczotki 230 V

Więcej informacji dotyczących wyposażenia dodatkowego przeznaczonego do konkretnego narzędzia można znaleźć w katalogu firmy RIDGID i na witrynie internetowej RIDGID.com

## Przechowywanie urządzenia

**⚠ OSTRZEŻENIE** Napędy elektryczne należy przechowywać w pomieszczeniach lub na zewnątrz dobrze przykryte podczas deszczu. Przechowywać maszynę w zamkniętym pomieszczeniu, poza zasięgiem dzieci i osób nie zaznajomionych z obsługą takich urządzeń. Te urządzenia mogą spowodować poważne obrażenia, jeśli znajdą się w rękach nieprzeszkolonych użytkowników.

## Serwis i naprawa

### ⚠ OSTRZEŻENIE

**Nieprawidłowe serwisowanie i naprawa mogą spowodować, że maszyna będzie niebezpieczna w obsłudze.**

„Instrukcje konserwacji” wyczerpują większość sytuacji serwisowania tego urządzenia. Rozwiązanie wszelkich problemów, które nie zostały ujęte w tej części, należy powierzyć autoryzowanym technikom serwisu firmy RIDGID.

Narzędzie należy przekazać do niezależnego centrum serwisowego firmy RIDGID lub odesłać do producenta. Używać wyłącznie części serwisowych firmy RIDGID.

Aby uzyskać informacje na temat najbliższego niezależnego centrum serwisowego RIDGID lub wszelkich kwestii dotyczących serwisowania lub naprawy, należy:

- skontaktować się z lokalnym dystrybutorem firmy RIDGID.
- odwiedzić stronę RIDGID.com w celu znalezienia lokalnego punktu kontaktowego RIDGID.

- skontaktować się z Działem Pomocy Technicznej firmy Ridge Tool po adresem [rttechservices@emerson.com](mailto:rttechservices@emerson.com) lub w USA i Kanadzie zadzwonić na numer (800) 519-3456.

## Olej do gwintowania

Dalsze informacje dotyczące użytkowania i obchodzenia się z olejem do gwintowania RIDGID® można znaleźć na etykietach pojemników i kartach charakterystyki substancji (MSDS). Karty MSDS dostępne są na witrynie internetowej RIDGID.com lub poprzez kontakt z Działem Pomocy Technicznej pod numer (800) 519-3456 w USA i Kanadzie lub pocztą elektroniczną na adres [rttechservices@emerson.com](mailto:rttechservices@emerson.com).

## Utylizacja

Części napędów elektrycznych zawierają cenne materiały, które można poddać recyklingowi. Lokalnie można znaleźć firmy specjalizujące się w recyklingu. Zutylizować wszystkie części zgodnie z wszystkimi stosownymi przepisami. W celu uzyskania dalszych informacji należy skontaktować się z lokalnymi władzami odpowiedzialnymi za gospodarkę odpadami.



**W krajach UE:** Nie utylizować urządzeń elektrycznych wraz z odpadami z gospodarstwa domowego!

Zgodnie z Dyrektywą europejską 2012/19/ - UE dotyczącą odpadów elektrycznych i elektronicznych i jej wdrożeniem do prawodawstwa krajowego, urządzenia elektryczne, które nie nadają się już do użycia, muszą być zbierane oddzielnie i utylizowane w sposób przyjazny dla środowiska.

## Rozwiązywanie problemów

OBJAW	MOŻLIWE PRZYCZYNY	ROZWIĄZANIE
<b>Urządzenie nie uruchamia się.</b>	Szczotki nie stykają się z twornikiem.	Sprawdzić szczotki, wymienić w razie zużycia.
<b>Urządzenie nie gwintuje.</b>	Tępe noże. Przeciążenie na skutek rozdartych, niesymetrycznych gwintów. Słaba jakość lub niedostateczna ilość oleju do gwintowania. Zbyt niskie napięcie sieciowe.	Wymienić noże. Patrz niżej możliwe przyczyny. Użyć oleju do gwintowania RIDGID® w odpowiedniej ilości. Sprawdzić napięcie sieci zasilającej.
<b>Na komutatorze silnika powstają iskry.</b>	Niedostateczny styk między szczotkami i komutatorem. Szczotki nie stykają się odpowiednio z komutatorem. Szczotki od różnych producentów. Nowe szczotki.	Dokręcić zatyczki szczotek, aby zapewnić ścisłe dociśnięcie szczotek do komutatora. Wymienić zużyte szczotki i/lub twornik. Używać wyłącznie szczotek firmy RIDGID®. Osadzić szczotki poprzez uruchomienie urządzenia w przebiegu jałowym przez 15 minut w kierunku do przodu i do tyłu.

## Rozwiązywanie problemów

<b>Głowica nie zaczyna gwintować.</b>	Głowica nie jest ustawiona idealnie prosto do końcówki rury. Siła chwytająca nie jest odpowiednio przyłożona do głowicy. Rura nie jest ucięta pod kątem prostym. Tępe lub uszkodzone noże. Urządzenie działa w złym kierunku. Noże ustawiają się nieodpowiednio w głowicy.	Docisnąć płytkę pokrywy głowicy, aby zacząć gwintowanie. Przyłożyć siłę chwytającą wzdłuż osi rury. Uciąć rurę pod kątem prostym. Wymienić noże. Sprawdzić położenie przełącznika suwakowego F/R. Upewnić się, że ostrza ustawione są na zewnątrz do wypustów płytki pokrywy.
<b>Rozerwane gwinty.</b>	Uszkodzone, wyszczerbione lub zużyte noże. Słaba jakość lub niedostateczna ilość oleju do gwintowania. Niedopowiedni dla materiału typ noża. Słaba jakość lub materiał rury.	Wymienić noże. Użyć wyłącznie oleju do gwintowania RIDGID® w odpowiedniej ilości. Wybrać noże dużej prędkości ze stali nierdzewnej lub aluminium, które są odpowiednie do zastosowania. Użyć rury lepszej jakości.
<b>Niesymetryczne lub połamane gwinty.</b>	Ścianki rury są zbyt cienkie.	Użyć klasy 40 lub większej grubości ścianki.
<b>Wspornik obraca się podczas gwintowania.</b>	Szczęki wspornika są zabrudzone. Wspornik ustawia się krzywo. Wspornik nie przylega ściśle.	Oczyścić szczotką drucianą. Ustawić wspornik idealnie prosto względem rury. Dokręcić śrubę pociągową.
<b>Cienkie gwinty.</b>	Noże nie układają się w odpowiedniej kolejności.	Ustawić noże w odpowiednich gniazdach głowicy.

# Elektrické závitnice

## 600-I/690-I



### **⚠ VAROVÁNÍ!**

Před používáním tohoto nástroje si pečlivě přečtěte tento návod k použití. Nepochopení a nedodržení obsahu tohoto návodu může vést k úrazu elektrickým proudem, vzniku požáru nebo k závažné újmě na zdraví.

#### Elektrické závitnice 600-I/690-I

Zaznamenejte si dole uvedené sériové číslo a zapamatujte si sériové číslo výrobku, které je uvedeno na továrním štítku.

Výrobní  
č.

--	--

## Obsah

<b>Formulář pro záznam výrobního čísla stroje</b> .....	195
<b>Bezpečnostní symboly</b> .....	197
<b>Všeobecné bezpečnostní výstrahy týkající se elektrického nářadí</b> .....	197
Bezpečnost na pracovišti .....	197
Elektrobezpečnost .....	197
Osobní bezpečnost .....	198
Používání a údržba elektrického nářadí .....	198
Servis .....	199
<b>Specifické informace o bezpečnosti</b> .....	199
Bezpečnost elektrické závitnice.....	199
<b>Popis, specifikace a standardní vybavení</b> .....	199
Popis .....	199
Standardní vybavení .....	200
Specifikace.....	201
<b>Kontrola před zahájením práce</b> .....	201
<b>Nastavení a provoz</b> .....	202
Montáž závitoreznych hlav .....	203
Snížení závitoreznych sil.....	204
Řezání závitů .....	205
Kontrola závitů .....	206
<b>Návod k údržbě</b> .....	206
Čištění .....	206
Výměna řezných matic u 11-R závitoreznych hlav .....	207
Výměna kartáčů v motoru.....	207
<b>Příslušenství</b> .....	207
<b>Uskladnění přístroje</b> .....	208
<b>Servis a opravy</b> .....	208
<b>Závitorezný olej</b> .....	208
<b>Likvidace</b> .....	208
<b>Řešení problémů</b> .....	209
<b>Prohlášení o shodě ES</b> .....	Na vnitřku zadní strany obálky
<b>Doživotní záruka</b> .....	Zadní strana

\* Překlad původního návodu k používání

## Bezpečnostní symboly

V tomto návodu k obsluze a na výrobku jsou použity bezpečnostní symboly a signální slova za účelem sdělení důležitých bezpečnostních informací. Tento oddíl slouží ke zlepšení pochopení těchto signálních slov a symbolů.



Toto je symbol bezpečnostní výstrahy. Je používán pro to, aby vás upozornil na možné nebezpečí poranění osob. Dodržujte všechna upozornění týkající se bezpečnosti, na která tento symbol upozorňuje, abyste se vyvarovali možného poranění nebo usmrcení.



**NEBEZPEČÍ** NEBEZPEČÍ označuje nebezpečnou situaci, následkem které bude usmrcení nebo vážné zranění, pokud se jí nevyvarujete.



**VÝSTRAHA** VÝSTRAHA označuje nebezpečnou situaci, následkem které může dojít k usmrcení nebo vážnému zranění, pokud se jí nevyvarujete.



**OPATRNĚ** OPATRNĚ označuje nebezpečnou situaci, následkem které může dojít k lehkému nebo méně nebezpečnému zranění, pokud se jí nevyvarujete.



**POZNÁMKA** POZNÁMKA označuje informaci, která se vztahuje k ochraně majetku.



Tento symbol znamená, že si před prací s tímto zařízením musíte pečlivě pročíst návod k obsluze. Návod k použití obsahuje důležité informace o bezpečné a správné obsluze zařízení.



Tento symbol znamená, že musíte používat ochranné brýle s bočnicemi nebo bezpečnostní brýle typu lyžařských brýlí pro snížení rizika úrazu očí vždy, když s tímto náčiním zacházíte nebo pracujete.



Tento symbol znamená, že může dojít k zachycení prstů, rukou, oblečení nebo jiných předmětů převody či jinými rotujícími částmi a následným zraněním rozdrcením.



Tento symbol značí nebezpečí úrazu elektrickým proudem.



Tento symbol znamená, že zde existuje riziko převrnutí nástroje, které může způsobit zranění nárazem nebo rozdrcením.



Tento symbol znamená, že při obsluze tohoto stroje není vhodné používat rukavice, aby se snížilo riziko zachycení strojem.



Tento symbol značí použití podpěrných zařízení ke snížení závitorežných sil, zlepšení ovládání a snížení rizika zasažení, rozdrcení nebo jiných zranění.

## Všeobecné bezpečnostní výstrahy týkající se elektrického nářadí\*

### ⚠ VÝSTRAHA

**Pročtěte si všechna bezpečnostní varování, pokyny a specifikace poskytnuté s tímto elektrickým nástrojem. Nedodržení všech níže uvedených pokynů může mít za následek úraz elektrickým proudem, vznik požáru nebo závažnou újmu na zdraví.**

### VŠECHNY VÝSTRAHY A INSTRUKCE UCHOVEJTE PRO PŘÍŠTÍ POUŽITÍ!

Termín "elektrické nářadí" v části varování uvádí hlavní část elektrického nářadí (připojené kabelem) nebo dobíjený baterii (bezdrátový).

### Bezpečnost na pracovišti

- **Pracoviště udržujte v čistotě a dobře osvětlené.** Temná pracoviště nebo pracoviště plná nepořádku jsou zdrojem nehod.

- **S elektrickým nářadím nepracujte ve výbušném prostředí, způsobené přítomností lehce zápalných kapalin, plynů nebo prachů.** Elektrické nářadí jiskří a jiskry mohou zapálit prach nebo výpary.
- **Při práci s elektrickým nářadím držte děti a diváky mimo dosah.** Rozptylování může mít za následek ztrátu kontroly.

### Elektrobezpečnost

- **Zásuvky přívodu elektrického proudu musí být vhodné pro zástrčky nástroje. Nikdy zástrčku žádným způsobem neupravujte. Zástrčky adaptérů nepoužívejte s uzemněným (ukostřeným) elektrickým nářadím.** Neupravené zástrčky a vhodné zásuvky snižují riziko úrazu elektrickým proudem.
- **Vyhýbejte se tělesnému kontaktu s uzemněnými nebo ukostřenými povrchy, jako jsou potrubí, radiátory, kuchyňské sporáky a lednice.** Když je vaše tělo ve styku s uzemněním nebo ukostřením, existuje zde zvýšené riziko úrazu elektrickým proudem.

\* Znění části „Všeobecné bezpečnostní výstrahy týkající se elektrického nástroje“ tohoto návodu je dle potřeb doslovně shodné se zněním uvedeným v příslušné normě UL/CSA 62841. Tato část obsahuje všeobecné bezpečnostní pokyny pro mnoho různých druhů elektrického nářadí. Ne každé preventivní opatření je vhodné pro všechno nářadí a některá nejsou vhodná pro toto nářadí.

- **Elektrické nářadí nevystavujte dešti nebo vlhkému prostředí.** Pokud se do elektrického nástroje dostane voda, zvýší se riziko úrazu elektrickým proudem.
- **S kabelem nesmíte zacházet hrubě. Nikdy kabel nepoužívejte pro nošení, táhnutí či vypořádání nářadí ze zásuvky. Kabel chraňte před horkem, olejem, ostrými hranami nebo pohyblivými se částmi.** Poškození či zmotání kabelu zvyšuje riziko úrazu elektrickým proudem.
- **Při práci s elektrickým nářadím venku používejte prodlužovací kabely vhodné pro používání venku.** Používání prodlužovacího kabelu vhodného pro používání venku snižuje riziko zasažení elektrickým proudem.
- **Při práci s elektrickým nářadím ve vlhkém místě musíte nevyhnutelně používat přívod elektrického proudu chráněný přerušovačem zemního poruchového okruhu (GFCI).** Použití proudového chrániče snižuje riziko úrazu elektrickým proudem.

## Osobní bezpečnost

- **Budte pozorní, dávejte si pozor na to, co děláte, a používejte při práci s elektrickým nářadím zdravý rozum. Elektrické nářadí nepoužívejte, když jste unavení nebo pod vlivem drog, alkoholu nebo léků.** Stačí okamžik nepozornosti při používání tohoto nástroje a může dojít k závažné újmě na zdraví.
- **Používejte osobní ochranné pomůcky. Vždy noste ochranu očí.** Ochranné pomůcky, jako protiprachová maska, neklouzavá bezpečnostní obuv, ochranná přilba nebo ochrana sluchu, používané v příslušných podmínkách snižují riziko osobního úrazu.
- **Zabraňte neúmyslnému spuštění nářadí. Zkontrolujte, zda je spínač ve vypnuté poloze, než nářadí připojíte ke zdroji napájení nebo k bateriovému modulu a než nářadí budete zvedat nebo přenášet.** Přenášením nářadí s prstem na spínači nebo připojováním elektrického nářadí ke zdroji proudu při zapnutém spínači riskujete úraz.
- **Odstraňte jakýkoliv klíč pro úpravu či imbusový klíč předtím, než přístroj zapojíte.** Klíč, který zůstane připraven k rotující části nástroje, může mít za následek zranění osob.
- **Nezacházejte příliš daleko. Správně se vždy postavte a udržujte rovnováhu.** To vám umožní lepší ovládnutí elektrického nářadí v neočekávaných situacích.
- **Správně se oblékejte. Nenoste volný oděv nebo přívěsky. Chraňte vlasy, oděv a rukavice před přiblížením k částem, které se otáčejí.** Volný oděv, přívěsky nebo dlouhé vlasy mohou být otáčejícími se součástmi zachyceny.
- **Pokud jsou součástí zařízení pro připojení k zachycení prachu a pro další sběr, ujistěte se, že jsou připojeny a používány správně.** Použití zařízení na zachycování prachu může snížit rizika spojená s prachem.
- **Nedovoďte, aby vám obeznámenost s nástrojem získaná jeho častým používáním dovolila ignorovat zásady bezpečné práce s nástrojem.** Neopatrná činnost může způsobit vážná zranění během zlomku sekundy.

## Používání a údržba elektrického nářadí

- **Elektrické nářadí nepřetěžujte. Pro práci používejte správný druh elektrického nářadí.** Se správným elektrickým nářadím provedete práci lépe, bezpečněji a způsobem, pro jaký bylo zkonstruováno.
- **Nepoužívejte el. nástroj, pokud ho nelze vypínačem zapnout a vypnout.** Každé elektrické nářadí, které nelze ovládat spínačem je nebezpečné a musí být opraveno.
- **Před seřizováním, výměnou příslušenství nebo uložením odpojte zástrčku elektrického nástroje od napájení nebo vyjměte bateriový modul, jsou-li odpojitelné.** Tato preventivní bezpečnostní opatření snižují riziko náhodného spuštění elektrického nástroje.
- **Elektrické nářadí, s kterým nepracujete, ukládejte z dosahu dětí a nedovoďte osobám, které s elektrickým nářadím nebo s tímto návodem nejsou obeznámeny s elektrickým nářadím pracovat.** Elektrické nářadí je v rukách neproškolených uživatelů nebezpečné.
- **Provádějte údržbu elektrických nástrojů a příslušenství. Zkontrolujte souosost a spojení pohyblivých částí, zda součásti nejsou popraskané nebo nevykazují nějaký jiný stav, který může ovlivnit funkci elektrického nástroje. Pokud je poškozený, nechte elektrický nástroj před použitím opravit.** Mnoho úrazů je zapříčiněno špatně udržovanými elektrickými nástroji.
- **Řezací nástroje musejí být ostré a čisté.** Řádně udržované řezné nástroje s ostrými břity jsou méně náchylné k zadření a jdou snadněji ovládat.
- **Elektrické nářadí, příslušenství a nástroje k nářadí atd. používejte v souladu s tímto návodem a berte v úvahu pracovní podmínky a vykonávanou práci.** Používání elektrického nářadí na práce, pro které není určeno, by mohlo zavinit nebezpečnou situaci.
- **Držadla a madla udržujte suchá, čistá a prostá oleje a mastnoty.** Kluzká držadla a madla neumožňují bezpečné zacházení a ovládnutí nástroje v neočekávaných situacích.



## Servis

- **Servis elektrického nářadí si nechte provést kvalifikovaným opravářem, který použije pouze shodné náhradní díly.** To zaručí, že bezpečnost elektrického nářadí zůstane zachována.

## Specifické informace o bezpečnosti

### ▲ VÝSTRAHA

**Tento odstavec obsahuje důležité informace o bezpečnosti, specifické pro toto nářadí.**

**Pečlivě si přečtěte tyto pokyny před použitím elektrické závitnice, abyste snížili nebezpečí úrazu el. proudem nebo vážného úrazu..**

### TYTO POKYNY SI ULOŽTE!

Tento návod mějte uložen u zařízení, aby ho měla obsluha po ruce.

## Bezpečnost elektrické závitnice

- **Vždy používejte podpěrné zařízení dodávané spolu s nástrojem.** Ztráta kontroly během používání může vést k osobnímu zranění.
- **Při používání nástroje mějte rukávy a bundy zapnuté.** Nenaklánějte se přes nástroj či trubku. Oblečení se může na trubce či na nástroji zachytit a zamotat se.
- **Pouze jedna osoba musí kontrolovat pracovní činnost a provoz nástroje.** Další lidé účastníci se procesu mohou mít za následek nechtěnou činnost a osobní zranění.
- **Podlahy udržujte suché a prosté kluzkých látek, jako jsou např. oleje.** Kluzké podlahy zvyšují riziko nehod.
- **Při používání nástroje nenoste rukavice. Nenaklánějte se přes nástroj či trubku.** Rukavice se mohou na trubce či na nástroji zachytit a zamotat se.
- **Při řezání závitů nebo zpětném vytáčení závitorezné hlavy z trubky držte elektrickou závitnici vždy pevně, abyste snížili závitorezné síly, bez ohledu na používané podpěrné zařízení.** Snížíte tak riziko zasažení, rozdrčení či jiných zranění.
- **Řiďte se pokyny ohledně řádného používání tohoto nástroje. Nepoužívejte jej k jiným účelům, jako např. k vrtání otvorů či pohonu navijáků.** Jiné používání nebo úprava tohoto nástroje pro jiné aplikace může zvýšit nebezpečí vážného úrazu.
- **Tuto elektrickou závitnici nepoužívejte, pokud je provozní vypínač rozbítý.** Tento spínač slouží jako bezpečnostní zařízení, které vám umožňuje jeho uvolněním vypnout motor.

- **Nepoužívejte tupé nebo poškozené řezné matrice.** Ostří řezné nástroje vyžadují menší točivý moment, a elektrická závitnice se tak snadněji ovládá.
- **Držadla udržujte suchá, čistá a prostá oleje a mastnoty.** Zajistíte tak lepší ovládání nástroje..
- **S elektrickými závitnicemi RIDGID používejte pouze závitorezné hlavy RIDGID,** jelikož ostatní závitorezné hlavy nemusí jít v elektrické závitnici správně uchytit, čímž zvyšují riziko poškození zařízení nebo zranění osob.

Pokud máte nějaké dotazy týkající se tohoto výrobku firmy RIDGID®:

- Obratěte se na svého místního prodejce výrobků RIDGID.
- Navštivte RIDGID.com a vyhledejte vaše místní kontaktní místo pro výrobky RIDGID.
- Kontaktujte technické oddělení společnosti Ridge Tool na [rttechservices@emerson.com](mailto:rttechservices@emerson.com) nebo v USA a Kanadě zavolejte na číslo (800) 519-3456.

## Popis, specifikace a standardní vybavení

### Popis

Elektrické závitnice RIDGID® Model 600-I a 690-I představují dvojité izolované závitnice s výkonem pro řezání závitů trubek a potrubí. Dopředný a zpětný chod lze zvolit pomocí posuvného spínače, zatímco zapnutí a vypnutí nástroje je kontrolováno dvoupolohovým tlačítkovým kontaktním spínačem.

Elektrická závitnice 600-I je navržena k použití spolu se sklápěcími závitoreznými hlavami RIDGID 11-R (trubky 1/8" – 1 1/4"). Elektrická závitnice 690-I je navržena k použití spolu se sklápěcími závitoreznými hlavami RIDGID 11-R (trubky 1/8" – 2"). Pro použití elektrické závitnice 690-I spolu s trubkami velikosti 1/8" – 1 1/4" je zapotřebí adaptér. Tento adaptér se spolu s velikostmi 1 1/2" – 2" upíná do elektrické závitnice 690-I pomocí upínacího mechanismu.



Obrázek 1 – elektrická závitnice model 600-I

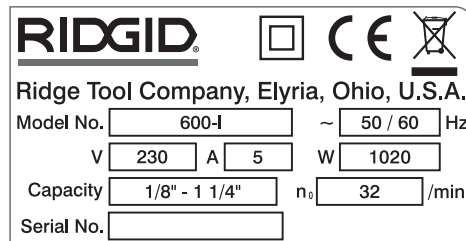


Obrázek 2 – elektrická závitnice model 690-I



Obrázek 3 – podpěrná ramena 602/692

Štítek se sériovým číslem zařízení se u elektrické závitnice 600-I a 690-I nachází na spodní straně skříně motoru. Poslední 4 číslice sériového čísla značí měsíc a rok výroby (MMRR).



Obrázek 4 – sériové číslo stroje

### Standardní vybavení

Elektrické závitnice model 600-I/690-I se dodávají se následujícím vybavením:

- Elektrická závitnice
- Adaptér 690-I (pouze u modelu 690-I)
- Návod k použití

**POZNÁMKA** Za volbu vhodných materiálů, způsobu instalace, spojů a formování je zodpovědný architekt nebo montér systému. Volba nevhodných materiálů a metod by mohla způsobit systémovou závadu.

Nerezová ocel a další korozi odolné materiály mohou být během instalace, spojování a formování kontaminovány. Tato kontaminace může způsobit korozi a předčasné selhání. Před jakýmkoliv pokusem o instalaci by mělo být provedeno pečlivé zhodnocení materiálů a metod pro specifické provozní podmínky včetně chemických a teplotních podmínek.

## Specifikace

Parametr	Elektrická závitnice 600-I	Elektrická závitnice 690-I
Kapacita řezání závitů na trubkách	1/8 až 1 1/4 palce (3 až 32 mm)	1/8 až 2 palce (3 až 50 mm)
Usazení závitorezné hlavy	Pružný kroužek	Upínací mechanismus (1/2 – 2 palce) Pružný kroužek (1/8 – 1/4 palce)
Levotočivé závity	Ano	Ano
Podpěrné rameno	č. 602, č. 601	č. 692, č. 691
Adaptér	Není zapotřebí.	K použití spolu se závitoreznými hlavami 1/8" až 1 1/4"
Typ motoru	Univerzální motor, jednofázový	Univerzální motor, jednofázový
Watty	1270 (120 V), 1020 (220-240 V)	1270 (120 V), 1020 (220-240 V)
Napětí/dostupné fáze	120 V/1F, 220-240 V/1F	120 V/1F, 220-240 V/1F
Ampéry	12 A (120 V), 5 A (220-240 V)	12 A (120 V), 5 A (220-240 V)
Provozní rychlost (ot/min)	36 (120 V), 32 (220-240 V)	36 (120 V), 32 (220-240 V)
Ovládání	Posuvný spínač dopředného/zpětného chodu Dvoupolohový tlačítkový kontaktní spínač ZAP/VYP	Posuvný spínač dopředného/zpětného chodu Dvoupolohový tlačítkový kontaktní spínač ZAP/VYP
Převod	Litý hliník, permanentně mazaný	Litý hliník, permanentně mazaný
Délka	20 palce (508 mm)	24,13 palce (613 mm)
Šířka	3,75 palce (95 mm)	4,75 palce (121 mm)
Výška	7,5 palce (191 mm)	8 palce (203 mm)
Hmotnost	12,65 lbs (5,7 kg)	21,15 lbs (9,6 kg)
Akustický tlak (L <sub>PA</sub> )*	83 dB(A), K=3	83 dB(A), K=3
Akustický výkon (L <sub>WA</sub> )*	94 dB(A), K=3	94 dB(A), K=3
Vibrace*	< 2,5 m/s <sup>2</sup> , K=1,5	< 2,5 m/s <sup>2</sup> , K=1,5

\* Měření zvuku a vibrací probíhá v souladu se standardizovaným testem dle normy IEC62841-1.

- Úrovně vibrací lze použít pro srovnání s ostatními nástroji a pro předběžné vyhodnocení vlivu vystavení.

- Emise zvuků a vibrací se mohou měnit v závislosti na vaší lokaci a specifickém použití těchto nástrojů.

- U každé aplikace je nutné zhodnotit denní vystavení hlasitým zvukům a vibracím a v případě potřeby provést vhodná bezpečnostní opatření. Vyhodnocení úrovně vystavení by mělo brát v úvahu dobu, po kterou je nástroj vypnutý a nepoužívá se. Tento faktor může zásadně snížit úroveň vystavení během celé pracovní doby.

## Kontrola před zahájením práce

### ⚠ VÝSTRAHA



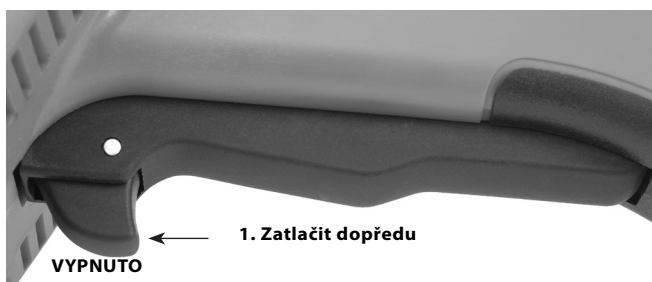
**Před každým použitím elektrickou závitnicí zkontrolujte a vyřešte veškeré problémy, abyste snížili nebezpečí vážného úrazu elektrickým proudem, rozdrčení či úrazu způsobeného jinými příčinami a zabránili poškození nástroje.**

1. Ujistěte se, že je elektrická závitnice vypojená ze zásuvky.
2. Elektrickou závitnicí spolu s podpěrným zařízením, včetně držadel a ovládání, očistěte od oleje, mastnoty či nečistot. Pomůže to provádění kontroly a napomůže zabránit tomu, aby vám nástroj nebo ovládání vyklouzlo z rukou.

3. U elektrické závitnice a podpěrného ramene zkontrolujte následující:

- Poškození nebo úpravy kabelu a zástrčky.
- Správnou montáž, údržbu a úplnost.
- Poškozené nesouosé či vážnou součásti.
- Správný chod dvoupolohového tlačítkového kontaktního spínače ZAP/VYP (Obrázek 5).
- Přidržené ozubení podpěrného ramene je čisté a v dobrém stavu. Ozubení lze vyčistit pomocí ocelového kartáče.
- Přítomnost a čitelnost výstražných štítků.
- Všechny ostatní podmínky, které mohou zabránit bezpečné a normální práci.

Pokud objevíte jakoukoliv závadu, elektrickou závitnicí či podpěrné zařízení nepoužívejte do té doby, dokud nebudou závady odstraněny.



**Obrázek 5A – dvupolohový tlačítkový kontaktní spínač ZAP/VYP**

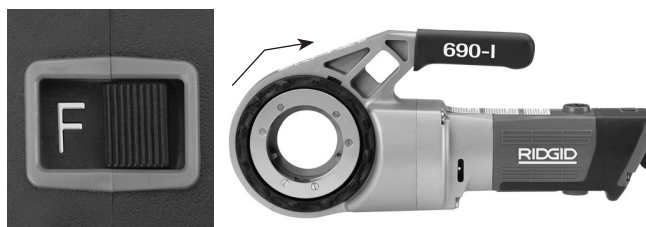


**Obrázek 5B – dvupolohový tlačítkový kontaktní spínač ZAP/VYP**

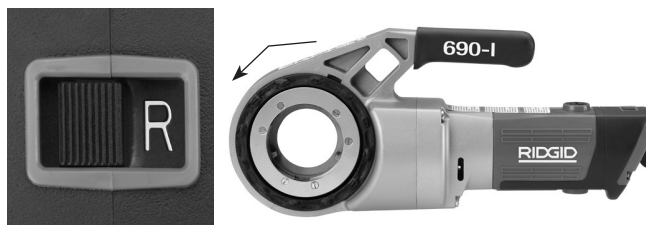
4. Řezné hrany řezných matic zkontrolujte z hlediska opotřebení, deformací, odštěpení či jiných potíží. Tupé nebo poškozené řezné nástroje zvyšují množství potřebné síly a mají za následek řezání závitů špatné kvality a nebezpečí zranění.
5. Zkontrolujte a proveďte údržbu veškerého dalšího používaného vybavení dle příslušných návodů k použití, abyste zajistili jeho správnou funkci.
6. V souladu s pokyny k nastavení a provozu zkontrolujte správný chod elektrické závitnice.
  - Posuňte spínač F/R (Dopředu/Zpět) do polohy F. Stiskněte a uvolněte spínač ZAP/VYP. (Obrázek 5). Ujistěte se, že se elektrická závitnice otáčí po směru hodinových ručiček (Viz Obrázek 6) a zastaví se po uvolnění spínače.
  - Zopakujte tento postup pro ZPĚTNÝ chod (proti směru hodinových ručiček). Pokud se elektrická závitnice neotáčí ve správném směru nebo ji nelze ovládat pomocí spínače ZAP/VYP, nástroj nepoužívejte, dokud nebude opraven.

**POZNÁMKA** Změňte polohu posuvného spínače F/R, pouze když je spínač ZAP/VYP uvolněný. Nechte elektrickou závitnici zcela zastavit, než změníte směr chodu pomocí posuvného spínače F/R. Snížíte tak riziko poškození elektrické závitnice.

- Stiskněte a podržte spínač ZAP/VYP. Zkontrolujte pohyblivé součásti, zda jsou správně vyrovnané a upnuté, zda nevydávají zvláštní zvuky nebo zda se nevyskytují jiné neobvyklé podmínky. Uvolněte spínač ZAP/VYP. Pokud zjistíte jakékoliv neobvyklé podmínky, nástroj nepoužívejte, dokud nebudou odstraněny.



**Obrázek 6A – poloha spínače F (DOPŘEDNÝ CHOD) (po směru hodinových ručiček)**



**Obrázek 6B – poloha spínače R (ZPĚTNÝ CHOD) (proti směru hodinových ručiček)**

7. Uvolněte spínač ZAP/VYP a suchýma rukama vypojte nástroj ze zásuvky.

## Nastavení a provoz

### ⚠ VÝSTRAHA



**Elektrickou závitnici připravte a provozujte podle následujících postupů, abyste snížili nebezpečí úrazu elektrickým proudem, zachycení, zásahu, rozdrčení a dalších nehod a zabránili poškození nástroje.**

**Použijte vhodné podpěrné zařízení dle těchto pokynů. Podpěrná zařízení zlepšují kontrolu a snižují riziko zásahu, rozdrčení či dalších poranění.**

**Pokud používáte jiné podpěrné zařízení než dodané opěrné rameno, musí toto podpěrné zařízení působit oproti skříni převodu nebo skříni ventilátoru. Podpěrná zařízení dotýkající se skříně motoru nebo držadla mohou tyto části poškodit nebo zvýšit riziko osobního úrazu.**

**Při řezání závitů nebo zpětném vytáčení závitorezné hlavy z trubky držte elektrickou závitnici vždy pevně, abyste snížili závitorezné síly, bez ohledu na používané podpěrné zařízení. Snížíte tak riziko zasažení, rozdrčení či jiných zranění.**

**Nenoste rukavice či volný oděv. Rukávy a bundy mějte vždy zapnuté. Volné oblečení se může zamotat do otáčejících se součástí a způsobit poranění rozdrčením či zasažením.**

**Trubku řádně podepřete. Snížíte tak riziko upadnutí trubky, překlopení či vážného poranění.**

**Elektrickou závitnici nepoužívejte bez řádně fungujícího spínače ZAP/VYP a posuvného spínače F/R.**

**Jedna osoba musí kontrolovat jak pracovní proces tak spínač ZAP/VYP. Neprovozujte ve více než jedné osobě. V případě zachycení musí mít obsluha pod kontrolou spínač ZAP/VYP.**

1. Zkontrolujte, zda je v místě:

- Přiměřené osvětlení.
- Nejsou hořlavé kapaliny, páry nebo prach, které by se mohly vznítit. Pokud jsou přítomny, v oblasti nepracujte, dokud nebudou určeny a odstraněny jejich zdroje. Elektrické závitnice nejsou bezpečné proti výbuchu a mohou vytvářet jiskry.
- Čisté, rovné, stabilní a suché místo pro veškeré vybavení a obsluhu.
- Dobrou ventilaci. Nepoužívejte příliš často v malých, uzavřených oblastech.
- Řádně uzemněná elektrická zásuvka se správným napětím. V případě pochybností nechte zásuvku zkontrolovat kvalifikovaným elektrikářem.
- Uvolněte cestu k elektrické zásuvce, aby se v ní nevyskytovaly žádné potenciální zdroje poškození napájecího kabelu.

2. Zkontrolujte trubku, na které budou řezány závit, a příslušné armatury a ujistěte se, že zvolená elektrická závitnice představuje správný nástroj pro daný úkol. *Viz specifikace.* Používejte k řezání závitů pouze u rovných materiálů.

Vybavení pro ostatní aplikace naleznete v katalogu Ridge Tool, na internetových stránkách RIDGID.com nebo na telefonní lince technického oddělení společnosti Ridge Tool v USA a Kanadě na čísle (800) 519-3456.

3. Ujistěte se, že jste řádně zkontrolovali vybavení, které budete používat.
4. Řádně připravte trubku ke zpracování. Ujistěte se, že je trubka rovně uříznutá a bez otřepů. Trubky uříznuté po úhlem mohou poškodit řezné matrice během řezání závitů nebo mohou působit potíže v kontaktu závitorezné hlavy.

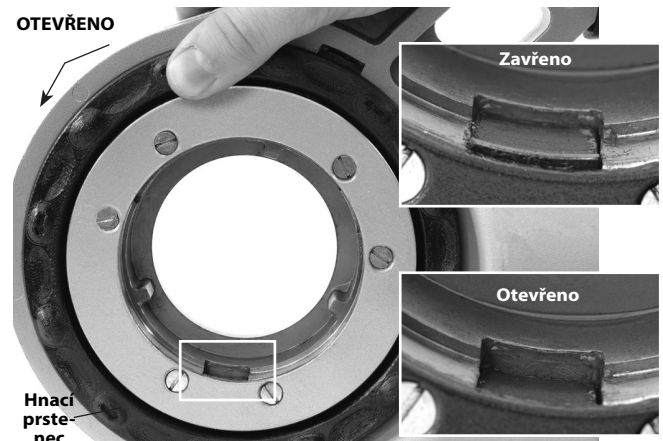
### Montáž závitorezných hlav

5. Montáž 1½" nebo 2" závitorezné hlavy nebo adaptéru u modelu 690-I:
- a. Ujistěte se, že je spínač ZAP/VYP uvolněný a elektrická závitnice vypojená ze zásuvky.

b. Otočením hnacího prstence proti směru hodinových ručiček otevřete upínací mechanismus. Plně zasuňte závitoreznou hlavu nebo adaptér (je-li zapotřebí) drážkovaným koncem do elektrické závitnice. (Obrázek 7).

c. Uvolněte hnací prsteneč a ujistěte se, že je závitorezná hlavice nebo adaptér bezpečně zajištěný.

d. Obráceným postupem provedete demontáž.



**Obrázek 7 – upínací mechanismus, hnací prsteneč v poloze otevřeno/zavřeno**

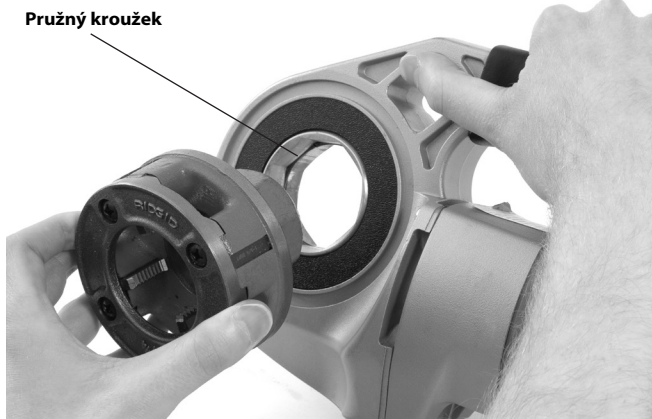


**Obrázek 8 – instalace adaptéru do 690-I**

6. Montáž závitorezných hlav o velikosti 1¼" nebo menších:

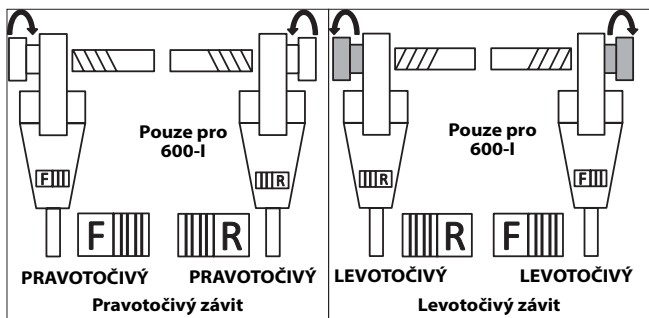
- a. Ujistěte se, že je spínač ZAP/VYP uvolněný a elektrická závitnice vypojená ze zásuvky.
- b. V případě potřeby namontujte do modelu 690-I adaptér (Obrázek 8).
- c. Rovně zasuňte osmihranný konec závitorezné hlavy 11-R do elektrické závitnice, dokud se nezajistí pružným kroužkem. U modelu 600-I lze závitoreznou hlavici zasunout z obou stran elektrické závitnice. U modelu 690-I lze závitoreznou hlavu zasunovat pouze ze strany adaptéru.

d. K demontáži vytáhněte závitorežnou hlavu z elektrické závitnice. V případě potřeby použijte k vyklepnutí hlavičky kladivo s měkkou hlavou nebo dřevěný špalík. Nebijte do závitorežné hlavy, mohlo by to poškodit nástroj.



**Obrázek 9 – instalace závitorežných hlav do elektrické závitnice 600-I**

7. Posuňte spínač F/R na elektrické závitnici do polohy pravotočivého či levotočivého závitu. Viz obrázek 10.



**Obrázek 10 – posuvný spínač/orientace závitorežné hlavy**

8. Ujistěte se, že trubice, na které se bude řezat závit, je stabilně a bezpečně zajištěná, aby se během použití nástroje zabránilo jejímu překlopení. Trubku podepřete po celé délce vhodnými stojánky.

9. Zkontrolujte hladinu závitorežného oleje RIDGID v olejnici RIDGID 418. Odstraňte nádobu na odřezky a ujistěte se, že je síto filtru čisté a plně ponořené v oleji. V případě potřeby olej přidejte nebo vyměňte. Nádobu olejnice 418 umístěte pod konec trubky, u které bude řezán závit.

### Snížení závitorežných sil

Pomocí dodaného podpěrného ramene:

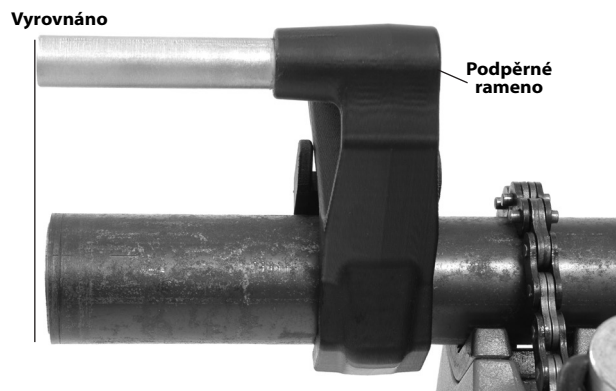
a. Vždy používejte dodané podpěrné rameno (rameno 601 nebo 602 pro model 600-I, rameno 691 nebo 692 pro model 690-I), pokud tomu nebrání prostorová nebo jiná omezení. Podpěrné rameno se přichytí k trubce a pomáhá snižovat závitorežné síly.

b. Umístěte podpěrné rameno na trubku tak, aby byl jeho konec vyrovnán s koncem trubky a jeho vrchní část byla vodorovná. (Obrázek 11). Takto řádně umístíte podpěrné rameno k řezání závitů a zabráníte průniku závitorežného oleje do motoru. (Obrázek 12).

c. Ujistěte se, že jsou čelisti podpěrného ramene na trubce vyrovnány a bezpečně podpěrné rameno utáhněte.



**Obrázek 11A – umístění podpěrného ramene**



**Obrázek 11B – umístění podpěrného ramene**



**Obrázek 12 – správná orientace elektrické závitnice**

Kdy nelze použít podpěrné rameno:

Při řezání závitů u trubek může dojít k situacím, kdy z prostorových či jiných podobných důvodů nelze podpěrné rameno použít.

- a. Pokud je to možné, trubku odstraňte a závity řežte ve svěráku. Pokud tak nelze učinit, je nutné použít jiná podpěrná zařízení, která pomohou snižovat závitorezné síly; případně lze převodovou skříň nebo skříň ventilátoru elektrické závitnice zapřít o blízký strukturální prvek (např. zdi, nosníky či trámy). To však vyžaduje, aby trubka a okolní prvky dokázaly odolat hmotnosti nástroje a závitorezným silám. Může být nutné přidat dočasné či trvalé podpěry trubek nebo strukturálních prvků.
- b. U pravotočivých závitů se řezací hlava otáčí po směru hodinových ručiček (z pohledu na přední část závitorezné hlavy). Síly vyvinuté závitorezným točivým momentem budou směřovat opačně tj. proti směru hodinových ručiček. U levotočivých závitů se rotace a síly obrátí. Ujistěte se, že je podpěrné zařízení postavené tak, aby správně absorbovalo závitorezné síly.
- c. Neopírejte motor nebo držadlo elektrické závitnice o blízké strukturální prvky za účelem redukce závitorezných sil, jelikož by to mohlo vést k poškození elektrické závitnice.
- d. Udržujte elektrickou závitnici opřenou o strukturální prvek a nekládejte mezi elektrickou závitnici a strukturální prvek prsty nebo ruce. Při zpětném vytáčení závitorezné hlavy ze závitů vždy pevně držte elektrickou závitnici, abyste bránili silám vznikajícím při odlamování otřepů závitů. Těmito kroky snížíte riziko zasažení, rozdrčení či jiných zranění. Provozní vypínač lze kdykoliv uvolnit za účelem VYPNUTÍ elektrické závitnice.

Při řezání závitů nebo zpětném vytáčení závitorezné hlavy z trubky držte elektrickou závitnici vždy pevně, abyste snížili síly, bez ohledu na používané podpěrné zařízení. Snížíte tak riziko zasažení, rozdrčení či jiných zranění. Provozní vypínač lze kdykoliv uvolnit za účelem vypnutí elektrické závitnice.

## Řezání závitů

10. Suchýma rukama zapojte elektrickou závitnici do zásuvky.
11. Umístěte závitoreznou hlavu na konec trubky a podepřete elektrickou závitnici dle pokynů v *sekcí Snížení závitorezných sil*.



Obrázek 13 – začátek řezání závitů

12. Současně stiskněte spínač ZAP/VYÚ a zatlačte na krycí plát závitorezné hlavy volnou rukou a začnete řezat závit. Při tlačení na krycí plát nenoste rukavice, šperky či nepoužívejte hadr – zvýšíli byste tím riziko zachycení a úrazu. Jakmile řezné matrice přijdou do kontaktu s trubkou, začne se jejich tažením přes konec trubky řezat závit.

Vždy pevně držte držadlo elektrické závitnice, abyste redukovali vzniklé síly. Podpěrná zařízení mohou sklouznout a umožnit pohyb elektrické závitnice. Spínač ZAP/VYP lze kdykoliv uvolnit za účelem vypnutí elektrické závitnice.

13. Přestaňte tlačít na krycí plát a pomocí olejnice aplikujte dostatečné množství závitorezného oleje RIDGID na oblast řezaného závitů. Snížíte tak točivý moment řezání závitů, zlepšíte kvalitu závitů a prodloužíte životnost řezací matrice.



Obrázek 14 – řezání závitů na trubce

14. Stiskněte spínač ZAP/VYP, dokud není konec trubky zarovnaný s okrajem řezných matic, poté jej uvolněte. Nechte elektrickou závitnici zcela zastavit.



**Obrázek 15** – trubka zarovnaná s okrajem řezných matic

15. Přepněte posuvný spínač F/R do opačné polohy a stiskněte spínač ZAP/VYP za účelem vytočení závitorezné hlavy z trubky opatřené závitem. Držte pevně držadlo elektrické závitnice, abyste odolali silám vzniklým při zpětném vytáčení závitorezné hlavy.

**POZNÁMKA** Změňte polohu posuvného spínače F/R, pouze když je spínače ZAP/VYP uvolněný. Nechte elektrickou závitnici zcela zastavit, než změňte směr chodu pomocí posuvného spínače F/R. Snižíte tak riziko poškození elektrické závitnice.

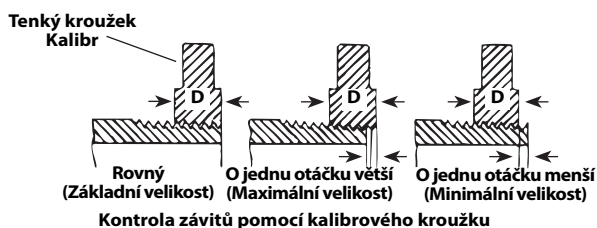
16. Uvolněte spínač a odstraňte elektrickou závitnici a závitoreznou hlavu z trubky.  
17. Suchýma rukama vypojte elektrickou závitnici ze závitů.  
18. Otřete olej a nečistoty ze závitů a ze závitorezné hlavy. Buďte při tom opatrní, abyste se neporezali o ostré otřepy a hrany. Očistěte případný rozlitý olej na pracovišti.

### Kontrola závitů

1. Odstraňte jakékoliv zbytky oleje, otřepů a nečistot ze závitů.
2. Vizuálně zkontrolujte závit. Závit by měly být hladké, úplné a v dobrém stavu. Pokud došlo k potížím, jako je trhání závitů, příliš tenkým závitům nebo zploštění trubky, závit po vytvoření nemusí těsnit. Viz "Řešení problémů" – kde v tabulce naleznete pomoci při diagnostice těchto potíží.
3. Zkontrolujte velikost závitů. Upřednostňovaným způsobem kontroly velikosti závitů je měření pomocí kalibrového kroužku. Existuje mnoho druhů kalibrových kroužků

a jejich použití se může lišit od způsobu uvedeného na *Obrázku 16*.

- Ručně našroubujte kalibrový kroužek natěsno na závit.
- Podívejte se, jak daleko přesahuje trubka skrze kalibrový kroužek. Konec trubky by měl být zarovnaný se stranou kalibru plus, mínus jedna otáčka. Pokud závit neodpovídá správnému kalibru, odřízněte jej, seřídte závitoreznou hlavu a vytvořte nový závit. Použití závitů, který neodpovídá kalibru, může vést k únikům.



**Obrázek 16** – kontrola velikosti závitů

- Pokud nemáte ke kontrole velikosti závitů k dispozici kalibrový kroužek, je možné použít novou, čistou armaturu, která odpovídá typu používanému na daném potrubí, aby se zjistila kalibrace velikosti závitů. U závitů velikosti 2" a méně a v rámci NPT závitů, by závitů měly být řezány na 4 až 5 otáček ručního dotažení armatury a u závitů velikosti 2" a méně a v rámci BSPT závitů, by závitů měly být řezány na 3 otáčky.

### Návod k údržbě

#### ⚠ VÝSTRAHA

**Před prováděním jakékoliv údržby nebo úprav se ujistěte, že je spínač ZAP/VYP uvolněný a nástroj odpojený ze sítě.**

**Nástroj udržujte v souladu s těmito pokyny, abyste snížili nebezpečí úrazu elektrickým proudem, zachycení či úrazu z jiných příčin.**

#### Čištění

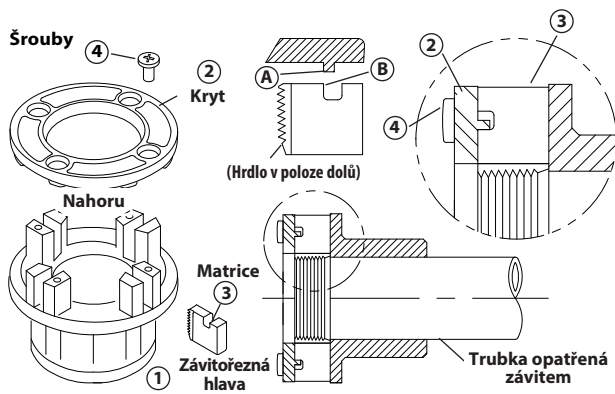
1. Po každém použití vyprázdněte odřezky z nádoby na odřezky olejnice 418 a otřete jakékoliv zbytky oleje.
2. Z elektrické závitnice, obzvláště z držadel a ovládacích prvků, odstraňte veškeré stopy oleje, maziva či odřezků. Vyčistěte upínací mechanismus modelu 690-I.
3. Z podpěrného ramene očistěte jakékoliv zbytky koleje, mastnoty či nečistot. V případě potřeby vyčistěte čelisti podpěrného ramene ocelovým kartáčem.
4. Ze závitorezných hlav odstraňte odřezky a nečistoty.



## Výměna řezných matic u 11-R závitorezných hlav

K instalaci do závitorezných hlav RIDGID 11-R je k dispozici mnoho různých řezných matic. Ohledně dostupnosti viz katalog.

1. Vyšroubujte čtyři šrouby (4) z krytu (2) a odstraňte krycí plát.
2. Odstraňte staré řezné matice (3) ze závitorezné hlavy.
3. Vložte nové řezné matice do otvorů – očíslovaných od hrany nahoru. Čísla na řezných maticích musí odpovídat číslům na otvorech v závitorezné hlavě. Řezné matice vždy měňte jako sadu.

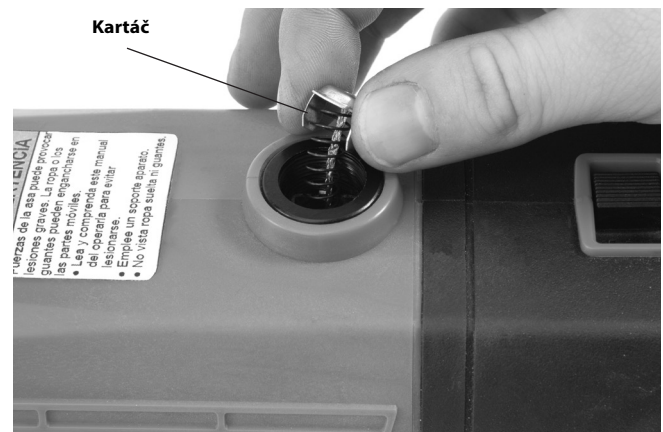


Obrázek 17 – instalace řezných matic do závitorezné hlavy

4. Vraťte zpět krycí plát a lehce dotáhněte čtyři šrouby.
5. Vložte závitoreznou hlavu na trubku, na které již závit je, dokud nezačnou matrice řezat nový závit. Tyto síly se zastaví na maticích (4) směrem ven proti nálitkům (4) na krycím plátu a dojde ke správnému nastavení velikosti.
6. Všechny čtyři šrouby bezpečně dotáhněte. Odstraňte trubku opatřenou závitem a provedte kontrolní řezání závitu.

## Výměna kartáčů v motoru

Kartáče motoru kontrolujte každých 6 měsíců. Vyměňte je, když jsou opotřebované na méně než  $\frac{5}{16}$ " (8 mm).



Obrázek 18 – instalace kartáče

1. Vypojte nástroj ze zdroje napájení.
2. Odšroubujte víčka kartáčů. (Obrázky 1 a 2). Demontujte a zkontrolujte kartáče. Vyměňte je, když jsou opotřebované na méně než  $\frac{5}{16}$ " (8 mm). Zkontrolujte opotřebení komutátoru. Pokud je příliš opotřeben, dejte nástroj do servisu.
3. Namontujte původní nebo nové kartáče zpět a bezpečně utáhněte víčka kartáčů.
4. Nejlepším způsobem je nechat jednotku běžet naprázdno 15 minut v dopředném chodu, po kterém následuje 15 minut zpětného chodu, aby se kartáče usadily na komutátoru před ostrým použitím.

## Příslušenství

### ⚠ VÝSTRAHA

**Abyste snížili nebezpečí vážného úrazu, používejte pouze příslušenství speciálně určené a doporučené pro použití s elektrickými závitnicemi 600-I a 690-I, které je uvedeno níže. Použití jiného příslušenství vhodného pro jiné nástroje může být při použití elektrickými závitnicemi 600-I a 690-I nebezpečné.**

## Příslušenství elektrických závitnic 600-I a 690-I

Katalogové č.	Popis
45923	Podpěrné rameno 602
45928	Podpěrné rameno 692
46668	Přepravní pouzdro 600-I
46673	Přepravní pouzdro 690-I
10883	Olejnice 418 s cca 1 galonem (3,8 litry) oleje Nu-Clear
16703	Svěrák 425 1/8" - 2 1/2" TRISTAND
36273	Svěrák 460-6 1/8" - 6" TRISTAND
45543	Kartáče 115 V
45588	Kartáče 230 V

Další informace ohledně specifického příslušenství tohoto nástroje lze nalézt v katalogu RIDGID a online na stránce RIDGID.com

## Uskladnění přístroje

**▲ VÝSTRAHA** Elektrické závitnice a musí být uloženy uvnitř nebo musí být při deštivém počasí dobře zakryté. Příklad skladujte v uzamčeném prostoru, který je z dosahu dětí a lidí neseznámených s tímto přístrojem. Tyto nástroje mohou způsobit vážná poranění v rukách nezacvičených uživatelů.

## Servis a opravy

### ▲ VÝSTRAHA

**Po nevhodném servisním zásahu nebo opravě může být nástroj při práci nebezpečný.**

Většinu potřebných informací o servisu tohoto nástroje naleznete v části „Návod k údržbě“. Všechny potíže, které v tomto odstavci nejsou uvedeny, musí být pojednány s autorizovaným technikem servisu firmy RIDGID.

Nástroj je nutné doručit do autorizovaného nezávislého servisního střediska RIDGID nebo vrátit výrobci. Používejte pouze náhradní díly RIDGID.

Pro informace o vašem nejbližším autorizovaném nezávislém servisním středisku firmy RIDGID nebo jakékoli dotazy týkající se servisu nebo oprav:

- Spojte se s místním obchodním zástupcem pro výrobky RIDGID.
- Navštivte RIDGID.com a vyhledejte místní kontaktní místo pro výrobky RIDGID.
- Kontaktujte technické oddělení společnosti Ridge Tool na [rtctechservices@emerson.com](mailto:rtctechservices@emerson.com) nebo v USA a Kanadě zavolejte na číslo (800) 519-3456.

## Závitořezný olej

Pro informace ohledně použití a zacházení se závitořezným olejem RIDGID® viz štítky na nádobě a materiálové bezpečnostní listy. Tyto listy naleznete na stránce RIDGID.com nebo kontaktujte technické oddělení společnosti Ridge Tool na [rtctechservices@emerson.com](mailto:rtctechservices@emerson.com) nebo v USA a Kanadě zavolejte na číslo (800) 519-3456.

## Likvidace

Některé části elektrických závitnic obsahují cenné materiály a lze je recyklovat. Existují místní společnosti, které se na recyklování specializují, a které lze najít ve vaší oblasti. Likvidujte komponenty v souladu se všemi použitelnými předpisy. Pro získání dalších informací se spojte s místním úřadem pro nakládání s odpady.



**V zemích EU:** Nelikvidujte elektrické zařízení společně s domovním odpadem!

Podle evropské směrnice 2012/19 - EU o odpadech elektrických a elektronických zařízení a její implementace do národní legislativy musí být elektrické zařízení, které je již nepoužitelné, sbíráno zvlášť a likvidováno pro životní prostředí vhodným způsobem.

## Řešení problémů

PŘÍZNAKY	MOŽNÉ DŮVODY	ŘEŠENÍ
<b>Stroj se nespustí.</b>	Kartáče se nedotýkají armatury.	Kartáče zkontrolujte a v případě potřeby vyměňte.
<b>Stroj neřeže závit.</b>	Tupé řezné matrice. Přetížení z důvodu potrhaných či chybících závitů. Špatná kvalita či nedostatečné množství řezného oleje. Nedostatečné síťové napětí.	Vyměňte řezné matrice. Viz níže uvedené možné příčiny.  Použijte závitorezný olej RIDGID® v dostatečném množství. Zkontrolujte napájecí napětí.
<b>Na komutátoru motoru se tvoří jiskry.</b>	Nedostatečný kontakt mezi kartáči a komutátorem. Kartáče se nedotýkají správně komutátoru. Kartáče odlišného výrobce. Nové kartáče.	Dotáhněte víčka kartáčů, abyste zajistili, že se kartáče pevně přitisknou na komutátor. Vyměňte opotřeбенé kartáče nebo armaturu. Používejte pouze kartáče RIDGID®. Nechte jednotku běžet naprázdno 15 minut v dopředném chodu a 15 minut ve zpětném chodu, aby se kartáče usadily na komutátoru.
<b>Závitorezná hlava nezačne řezat závit.</b>	Závitorezná hlava není vyrovnaná s koncem trubky. Přítlačné síly se na závitorezné hlavě neaplikují správně. Konec trubky není rovně uříznutý. Tupé nebo zlomené řezné matrice. Stroj pracuje v nesprávném směru. Řezné matrice jsou nesprávně vsazeny do závitorezné hlavy.	Zatlačte na krycí plát závitorezné hlavy a začněte řezat. Přítlačné síly aplikujte skrze středovou linii trubky. Uřízněte konec trubky rovně. Vyměňte řezné matrice. Zkontrolujte polohu posuvného spínače F/R. Ujistěte se, že rydla směřují ven oproti nálitkům na krycím plátu.
<b>Potrhané závit.</b>	Poškozené, odštípnuté nebo opotřebované řezné matrice. Nesprávný olej či nedostatečné množství řezného oleje. Nesprávný typ řezné matrice pro daný materiál. Špatná kvalita či materiál trubky.	Vyměňte řezné matrice.  Použijte pouze závitorezný olej RIDGID® v dostatečném množství. Zvolte vysokorychlostní, nerezové řezné matrice nebo matrice ze slitin vhodné pro dané použití. Použijte trubku vyšší kvality.
<b>Chybějící nebo rozdrčené závit.</b>	Stěna trubky je příliš tenká.	Použijte trubky s tloušťkou stěny odpovídající standardu ANSI Schedule 40 nebo vyšší.
<b>Podpěrné zařízení se při řezání závitů otáčí.</b>	Čelisti podpěrného ramene jsou znečištěné. Podpěrné rameno není správně vyrovnáno. Podpěrné rameno nemá těsný stisk.	Očistěte ocelovým kartáčem. Vyrovnejte podpěrné rameno správně s trubkou. Dotáhněte šnekový šroub.
<b>Tenké závit.</b>	Řezné matrice jsou umístěné v nesprávném pořadí.	Vložte řezné matrice správně do otvorů v závitorezné hlavě.



# Elektrické pohony

## 600-I/690-I



### **⚠ VÝSTRAHA!**

Pred použitím tohto nástroja si pozorne prečítajte návod na obsluhu. Nepochopenie a nedodržanie pokynov uvedených v tomto návode na obsluhu môže viesť k úrazom elektrickým prúdom, požiaru a/alebo vážnym zraneniam osôb.

#### Elektrické pohony 600-I/690-I

Do vyznačeného priestoru uveďte výrobné číslo a uchovajte výrobné číslo produktu uvedené na štítku.

Sériové číslo

--	--

## Obsah

<b>Záznamový formulár pre výrobné číslo stroja</b> .....	211
<b>Bezpečnostné symboly</b> .....	213
<b>Všeobecné bezpečnostné upozornenia k elektrickému náradu</b> .....	213
Bezpečnosť na pracovisku.....	213
Elektrická bezpečnosť.....	213
Bezpečnosť osôb.....	214
Používanie a starostlivosť o elektrické náradie.....	214
Servis.....	215
<b>Špecifické bezpečnostné informácie</b> .....	215
Bezpečnosť elektrického pohonu.....	215
<b>Popis, technické údaje a štandardné vybavenie</b> .....	215
Popis.....	215
Štandardné vybavenie.....	216
Technické údaje.....	217
<b>Kontrola pred prevádzkou</b> .....	217
<b>Nastavenie a prevádzka</b> .....	218
Inštalácia závitorezných hláv.....	219
Odolanie závitorezným silám.....	220
Rezanie závitov.....	221
Kontrola závitov.....	222
<b>Pokyny na údržbu</b> .....	222
Čistenie.....	222
Výmena závitníc v závitorezných hlavách 11-R.....	222
Výmena kief v motore.....	223
<b>Príslušenstvo</b> .....	223
<b>Skladovanie zariadenia</b> .....	223
<b>Servis a opravy</b> .....	224
<b>Olej na rezanie závitov</b> .....	224
<b>Likvidácia</b> .....	224
<b>Riešenie problémov</b> .....	225
<b>ES Prehlásenie o zhode</b> .....	Z vnútornej strany zadného krytu
<b>Celoživotná záruka</b> .....	Zadná strana

\* Preklad pôvodného návodu na použitie

## Bezpečnostné symboly

V tomto návode na obsluhu a na výrobku sú použité bezpečnostné symboly a signálne slová, ktoré slúžia ako upozornenie na dôležité bezpečnostné informácie. Táto časť má pomôcť lepšie porozumieť týmto signálnym slovám a symbolom.



Toto je symbol bezpečnostnej výstrahy. Označuje riziko možného zranenia osôb. Dodržaním všetkých bezpečnostných pokynov, ktoré sú uvedené pod týmto symbolom, môžete predísť možným zraneniam alebo úrazom s následkom smrti.

### ⚠ NEBEZPEČENSTVO

NEBEZPEČENSTVO označuje nebezpečnú situáciu, ktorá bude mať za následok vážne alebo smrteľné zranenie, ak jej nepredídete.

### ⚠ VÝSTRAHA

VÝSTRAHA označuje nebezpečnú situáciu, ktorá môže mať za následok vážne alebo smrteľné zranenie, ak jej nepredídete.

### ⚠ UPOZORNENIE

UPOZORNENIE označuje nebezpečnú situáciu, ktorá môže mať za následok ľahký alebo stredne vážny úraz, ak jej nepredídete.

### POZNÁMKA

POZNÁMKA označuje informácie, ktoré sa vzťahujú na ochranu majetku.



Tento symbol znamená, že pred používaním zariadenia je nevyhnutné prečítať si návod na obsluhu. Tento návod na obsluhu obsahuje informácie dôležité pre bezpečnosť a správnu obsluhu zariadenia.



Tento symbol znamená, že používateľ musí počas manipulácie s týmto zariadením alebo počas jeho používania vždy používať okuliare s bočnými krytmi alebo bezpečnostné okuliare, aby tak znížil riziko poranenia očí.



Tento symbol označuje riziko zachytenia prstov, rúk, oblečenia a ďalších predmetov do alebo medzi ozubené kolesá či iné rotujúce diely, a tým spôsobených pomliaždení.



Tento symbol označuje riziko zasiahnutia elektrickým prúdom.



Tento symbol označuje riziko prevrátenia stroja, ktoré môže spôsobiť zranenie v dôsledku úderu alebo pomliaždenia.



Tento symbol znamená: počas obsluhy tohto stroja nenoste rukavice, aby ste znížili riziko zamotania.



Tento symbol znamená: použite podporné zariadenia na odolanie závitorezným silám, zlepšenie ovládania a zníženie rizika úderu, pomliaždenia a/alebo iných zranení.

## Všeobecné bezpečnostné upozornenia k elektrickému náradu\*

### ⚠ VÝSTRAHA

**Prečítajte si všetky bezpečnostné výstrahy, pokyny, ilustrácie a špecifikácie dodané s týmto elektrickým náradím. Nedodržanie všetkých nižšie uvedených pokynov môže mať za následok zásah elektrickým prúdom, požiar a/alebo vážne poranenie.**

### USCHOVAJTE VŠETKY VÝSTRAHY A POKYNY PRE PRÍPADNÉ ĎALŠIE POUŽITIE!

Pojem „elektrické náradie“ používaný vo všetkých nasledujúcich výstrahách sa vzťahuje na elektrické náradie napájané zo siete (napájacou šnúrou) alebo na elektrické náradie napájané akumulátormi (bez napájacej šnúry).

### Bezpečnosť na pracovisku

- **Pracovisko udržiavajte čisté a dobre osvetlené.** Preplnené a tmavé miesta priťahujú nehody.

- **Nepracujte s elektrickým náradím v explozívnom prostredí, ako je prostredie s horľavými tekutinami, plynmi alebo prachom.** Elektrické náradie vytvára iskry, ktoré môžu vznietiť prach alebo výpary.
- **Deti a okolostojace osoby musia byť pri práci s elektrickým náradím v dostatočnej vzdialenosti.** V prípade odpútania pozornosti by ste mohli stratiť kontrolu nad zariadením.

### Elektrická bezpečnosť

- **Zástrčky elektrického náradia sa musia typovo zhodovať so zásuvkami. Nikdy a žiadnym spôsobom nemodifikujte elektrické zástrčky. Nepoužívajte žiadne adaptéry, ak požívate uzemnené elektrické náradie.** Nemodifikované zástrčky a zhodné zásuvky znižujú riziko úrazu elektrickým prúdom.
- **Zabráňte telesnému kontaktu s uzemnenými povrchmi, ako sú napríklad potrubia, radiátory, okruhy a chladiace časti.** Ak je vaše telo uzemnené, hrozí zvýšené riziko zasiahnutia elektrickým prúdom.

\*Text použitý v časti Všeobecné bezpečnostné výstrahy pre elektrické náradie tohto návodu je doslovný, ako to vyžaduje platná norma UL/CSA 62841. Táto časť obsahuje všeobecné bezpečnostné postupy pre mnohé rôzne typy elektrického náradia. Nie každé bezpečnostné opatrenie platí pre každé náradie a niektoré neplatia pre toto náradie.

- **Elektrické náradie nevystavujte dažďu ani vlhku.** Voda, ktorá vnikne do elektrického náradia, zvyšuje riziko úrazu elektrickým prúdom.
- **Nepoškodzujte prírodnú šnúru. Nikdy nepoužívajte napájaciu šnúru na držanie, ťahanie alebo odpájanie elektrického náradia z elektrickej siete. Chráňte šnúru pred horúčavou, olejom, ostrými hranami alebo pohybujúcimi sa dielmi.** Poškodené alebo zamotané káble zvyšujú riziko zásahu elektrickým prúdom.
- **Ak pracujete s elektrickým náradím vonku, používajte len také predĺžovacie šnúry, ktoré sú vhodné na používanie vo vonkajších priestoroch.** Používanie predĺžovacej šnúry určenej do vonkajšieho prostredia znižuje riziko zásahu elektrickým prúdom.
- **Ak je prevádzka elektrického náradia vo vlhkom prostredí nevyhnutná, použite obvod s uzemnenou prúdovou ochranou (GFCI).** Použitie GFCI znižuje riziko ohrozenia elektrickým prúdom.

## Bezpečnosť osôb

- **Pri práci s elektrickým náradím buďte pozorní a sústreďte sa vždy na to, čo práve robíte. Nepoužívajte elektrické náradie, ak ste unavení, pod vplyvom drog, alkoholu alebo liekov.** Chvilková nepozornosť pri práci s elektrickým náradím môže mať za následok vážne zranenie.
- **Používajte osobné ochranné pomôcky. Vždy používajte ochranu očí.** Ochranné vybavenie, ako je maska proti prachu, protišmyková obuv, ochranná prilba, alebo chrániče sluchu použité v príslušných podmienkach znižujú poškodenie zdravia.
- **Zabráňte neočakávanému spusteniu. Pred pripojením elektrického náradia do elektrickej siete alebo pred založením akumulátorov, prenášaním alebo údržbou náradia sa vždy uistite, že vypínač je vo vypnutej polohe.** Prenášanie elektrického náradia s prstom položeným na spínači alebo zapnutého elektrického náradia môže mať za následok úraz.
- **Pred spustením elektrického náradia odstráňte nastavovací alebo francúzsky kľúč.** Kľúč, či už francúzsky alebo obyčajný, ponechaný na otáčajúcej sa časti elektrického náradia môže spôsobiť úraz.
- **Nenaťahujte sa príliš ďaleko. Stále udržiavajte pevný postoj a rovnováhu.** To umožňuje lepšie ovládanie elektrického náradia v neočakávaných situáciách.
- **Vhodne sa oblečte. Neobliekajte si príliš voľné oblečenie a nenoste šperky. Vlasy, oblečenie a rukavice udržiavajte mimo dosahu pohyblivých častí.** Voľné oblečenie, šperky alebo dlhé vlasy sa môžu zachytiť do pohyblivých častí.

- **Ak používate zariadenia na odsávanie a zhromažďovanie prachu, uistite sa, že sú používané správne.** Použitie zariadenia na odsávanie prachu môže zmierniť riziko spojené s prašnosťou.
- **Nedovoľte, aby vás dobrá znalosť získaná častým používaním náradia viedla k ľahkovážnosti a ignorovaniu bezpečnostných princípov.** Nedbanlivý úkon môže spôsobiť závažné poranenie v zlomku sekundy.

## Používanie a starostlivosť o elektrické náradie

- **Elektrické náradie nepreťažujte. Pre svoju prácu používajte správne elektrické náradie.** Správne zvolené elektrické náradie vykoná danú prácu lepšie a bezpečnejšie, ak sa používa pri takom zaťažení, na aké je určené.
- **Nepoužívajte náradie, ktoré nie je možné zapnúť a vypnúť vypínačom.** Elektrické náradie, ktoré sa nedá ovládať vypínačom, je nebezpečné a treba ho dať opraviť.
- **Pred nastavovaním elektrického náradia, výmenou príslušenstva alebo uskladnením elektrického náradia odpojte zástrčku z elektrickej siete a/alebo odpojte batériu (ak ju možno odpojiť).** Takéto preventívne bezpečnostné opatrenia znižujú riziko neočakávaného uvedenia elektrického náradia do prevádzky.
- **Nepoužívané elektrické náradie skladujte mimo dosahu detí a osôb, ktoré nie sú dostatočne zaškolené o používaní takéhoto náradia.** Používanie elektrického náradia neskúsenými osobami je nebezpečné.
- **Vykonávajte údržbu elektrického náradia a príslušenstva. Skontrolujte, či sú pohyblivé súčiastky náradia správne zarovnané, či sa nezasekávajú, či nie sú zlomené alebo inak poškodené, čo by mohlo ovplyvniť fungovanie elektrického náradia. Pred použitím elektrického náradia dajte poškodené súčiastky opraviť.** Príčinou mnohých úrazov býva nedostatočná údržba elektrického náradia.
- **Rezné nástroje udržiavajte ostré a čisté.** Starostlivo ošetrované rezné nástroje s ostrými hranami sa menej často zasekávajú a ľahšie sa ovládajú.
- **Elektrické náradie, príslušenstvo, nástavce a pod. používajte podľa tohto návodu na obsluhu. Zohľadnite pritom konkrétne pracovné podmienky a činnosť, ktorú máte vykonať.** Používanie elektrického náradia na iné ako určené účely môže vyvolať nebezpečnú situáciu.
- **Rukoväte a uchopovacie povrchy udržiavajte suché, čisté a bez oleja a mazív.** Klzké rukoväte a uchopovacie povrchy neumožňujú bezpečnú manipuláciu a ovládanie náradia v neočakávaných situáciách.



## Servis

- **Elektrické náradie zverte do opravy iba kvalifikovanému odborníkovi a používajte iba originálne náhradné súčiastky.** Tým zaistíte bezpečnosť elektrického náradia.

## Špecifické bezpečnostné informácie

### ▲ VÝSTRAHA

**Táto časť obsahuje dôležité bezpečnostné informácie, ktoré sú špecifické pre tento nástroj.**

**Tieto upozornenia si dôkladne naštudujte pred použitím elektrických pohonov. Znížite tým riziko úrazu elektrickým prúdom alebo vážneho poranenia osôb.**

### TIETO POKYNY USCHOVAJTE!

Tento návod uchovávajte pri stroji pre potreby operátora.

## Bezpečnosť elektrického pohonu

- **Vždy používajte podporné zariadenie dodané s náradím.** Strata kontroly počas prevádzky môže mať za následok osobné poranenie.
- **Pri práci s náradím majte zapnuté rukávy a bundy. Nedočahujte predmety ponad náradie alebo rúru.** Oblečenie sa môže zachytiť do rúry alebo náradia, čo bude mať za následok zamotanie.
- **Pracovný proces a činnosť náradia musí ovládať len jedna osoba.** Zapojenie ďalších ľudí do procesu obsluhy môže mať za následok neúmyselné spustenie náradia a osobné poranenie.
- **Udržujte podlahu suchú a bez klzkých materiálov, ako je napríklad olej.** Klzke podlahy môžu spôsobiť úraz.
- **Pri obsluhu náradia nenoste rukavice. Nedočahujte predmety ponad náradie alebo rúru.** Rukavice sa môžu zachytiť do rúry alebo náradia, čo bude mať za následok zamotanie.
- **Vždy pevne držte elektrický pohon, keď režete závit alebo odskrutkovávate závitoreznú hlavu z rúry na absorbovanie závitorezných síl, bez ohľadu na použitie podporného zariadenia.** Toto zníži riziko nárazu, pomliaždenia alebo iných zranení.
- **Dodržiavajte pokyny na správne používanie tohto stroja. Nepoužívajte náradie na iné účely, ako napr. vŕtanie otvorov alebo navíjanie.** Iné použitie alebo úprava tohto stroja na iné aplikácie môže zvýšiť riziko vážneho poranenia.

- **Ak je poškodený hlavný vypínač, elektrický pohon nepoužívajte.** Tento vypínač je bezpečnostné zariadenie, ktoré vám umožňuje vypnúť motor uvoľnením vypínača.
- **Nepoužívajte tupé ani poškodené závitnice.** Ostré rezné nástroje si vyžadujú menší krútiaci moment a elektrický pohon sa ľahšie ovláda.
- **Rukoväť udržiavajte suchú a čistú, bez zvyškov oleja a maziva.** Nástroj je tak lepšie ovládateľný.
- **S elektrickými pohonmi RIDGID používajte len závitorezné hlavy RIDGID.** Iné závitorezné hlavy nemusia správne pasovať do elektrického pohonu, čo zvyšuje riziko poškodenia zariadenia a poranenia osôb.

Ak máte akékoľvek otázky, ktoré súvisia s týmto výrobkom značky RIDGID®:

- Obráťte sa na miestneho distribútora značky RIDGID®.
- Navštívte webovú lokalitu RIDGID.com, kde získate informácie o miestnom kontaktnom bode pre výrobky značky RIDGID.
- Spojte sa s oddelením technických služieb spoločnosti Ridge Tool prostredníctvom e-mailu [rttechservices@emerson.com](mailto:rttechservices@emerson.com) alebo (v USA a Kanade) volajte (800) 519-3456.

## Popis, technické údaje a štandardné vybavenie

### Popis

Elektrické pohony RIDGID® modelu 600-I a 690-I sú pohony s dvojitoú izoláciou poskytujúce energiu pre rezanie závitov na rúru a potrubie. Otáčanie vpred a späť možno vybrať posuvným prepínačom, zatiaľ čo zapínanie/vypínanie sa ovláda dvojstupňovým tlačidlovým kontaktným vypínačom ON/OFF.

Elektrický pohon 600-I je určený na použitie so závitoreznými hlavami RIDGID 11-R Drop Head (rúry 1/8" – 1/4"). Elektrický pohon 690-I je určený na použitie so závitoreznými hlavami RIDGID 11-R Drop Head (rúry 1/8" – 2"). Na použitie elektrického pohonu 690-I s veľkosťami 1/8" – 1/4" je potrebný adaptér. Adaptér a veľkosti 1 1/2" – 2" sú v elektrickom pohone 690-I zafixované pridržným mechanizmom.



Obrázok 1 – Elektrický pohon modelu 600-I

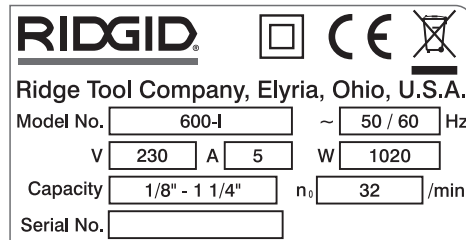


Obrázok 2 – Elektrický pohon modelu 690-I



Obrázok 3 – Podporné ramená 602/692

Štítok výrobného čísla elektrického pohonu 600-I a elektrického pohonu 690-I sa nachádza na spodnej strane skrine motora. Posledné 4 číslice výrobného čísla označujú mesiac a rok výroby (MMRR).



Obrázok 4 – Výrobné číslo stroja

### Štandardné vybavenie

Elektrické pohony modelu 600-I/690-I sa dodávajú s nasledujúcimi položkami:

- Elektrický pohon
- Adaptér 690-I (iba model 690-I)
- Používateľská príručka

**POZNÁMKA** Za výber vhodných materiálov a inštalácie, metódy spojenia a tvárnenia, je zodpovedný projektant systému a/alebo montér. Výber nevhodných materiálov a metód by mohol spôsobiť zlyhanie systému.

Počas montáže, spájania a tvárnenia môže dôjsť ku kontaminácii nerezovej ocele a iných materiálov odolných voči korózii. Táto kontaminácia môže spôsobiť koróziu a predčasné poruchy. Pred každým pokusom o inštaláciu treba starostlivo vyhodnotiť materiály a metódy pre špecifické prevádzkové podmienky, vrátane chemických a teplotných.

## Technické údaje

Parameter	Elektrický pohon 600-I	Elektrický pohon 690-I
Závitorezná kapacita rúry	1/8 až 1 1/4 palcov (3 až 32 mm)	1/8 až 2 palce (3 až 50 mm)
Pridržiavanie závitoreznej hlavy	Pružný krúžok	Prídržný mechanizmus (1 1/2 – 2 palce) Pružný krúžok (1/8 – 1 1/4 palcov)
Ľavotočivé závit	Áno	Áno
Podporné rameno	Č. 602, č. 601	Č. 692, č. 691
Adaptér	Nie je potrebný.	Používa sa so závitoreznými hlavami 1/8" až 1 1/4".
Typ motora	Univerzálny motor, jednofázový	Univerzálny motor, jednofázový
Watty	1270 (120V), 1020 (220-240V)	1270 (120V), 1020 (220-240V)
Napätie/dostupná fáza	120V/1PH, 220-240V/1PH	120V/1PH, 220-240V/1PH
Ampéry	12A (120V), 5A (220-240V)	12A (120V), 5A (220-240V)
Prevádzkové otáčky (RPM)	36 (120V), 32 (220-240V)	36 (120V), 32 (220-240V))
Ovládacie prvky	Posuvný prepínač vpred/späť Dvojstupňový tlačidlový kontaktný prepínač ON/OFF	Posuvný prepínač vpred/späť Dvojstupňový tlačidlový kontaktný prepínač ON/OFF
Hlava prevodovky	Tlakovo liata hliníková s trvalým mazaním	Tlakovo liata hliníková s trvalým mazaním
Dĺžka	20 palcov (508 mm)	24,13 palca (613 mm)
Šírka	3,75 palca (95 mm)	4,75 palca (121 mm)
Výška	7,5 palca (191 mm)	8 palcov (203 mm)
Hmotnosť	12,65 libry (5,7 kg)	21,15 libry (9,6 kg)
Akustický tlak (L <sub>PA</sub> )*	83 dB(A), K=3	83 dB(A), K=3
Akustický výkon (L <sub>WA</sub> )*	94 dB(A), K=3	94 dB(A), K=3
Vibrácie*	< 2,5 m/s <sup>2</sup> , K=1,5	< 2,5 m/s <sup>2</sup> , K=1,5

\* Zvuk a vibrácie sa merajú v súlade so štandardizovaným testovaním podľa normy IEC62841-1.

- Úroveň vibrácií je možné použiť pre porovnanie s iným náradím a na predbežné určenie expozície.
- Emisie zvuku a vibrácií sa môžu líšiť v závislosti od vašej polohy a konkrétneho použitia tohto náradia.
- Pri každej aplikácii treba vyhodnocovať denné úrovne expozície zvuku a vibrácií a v prípade potreby treba prijať príslušné bezpečnostné opatrenia. Pri vyhodnocovaní úrovni expozície treba zohľadniť dobu, keď je náradie vypnuté a nepoužíva sa. Takto môže dôjsť k výraznému zníženiu úrovne expozície v priebehu celkovej pracovnej doby.

## Kontrola pred prevádzkou

### ⚠ VÝSTRAHA

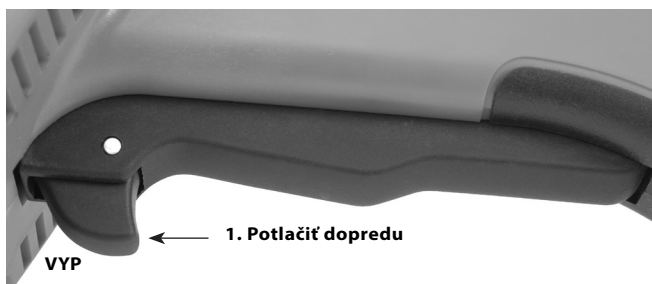


**Pred každým použitím skontrolujte elektrický pohon a napravte akékoľvek chyby, aby ste znížili riziko vážnych zranení spôsobených zásahom elektrickým prúdom, pomliaždením alebo inými príčinami a aby sa predišlo poškodeniu elektrického pohonu.**

1. Uistite sa, že elektrický pohon je odpojený z elektrickej siete.

2. Elektrický pohon a podporné zariadenie vrátane rúkav a ovládacích prvkov očistite od oleja, maziva a iných nečistôt. Tým sa uľahčuje kontrola a zabránite tomu, aby sa vám z rúk vyšmykol ovládací prvok alebo stroj.
3. Skontrolujte elektrický pohon a podporné rameno:
  - či nemajú poškodené alebo upravené šnúry a zástrčky;
  - či sú správne zmontované, udržiavané a úplné;
  - či všetky ich diely sú nepoškodené, zarovnané a správne spojené;
  - či správne funguje dvojstupňový tlačidlový kontaktný vypínač ON/OFF; (Obrázok 5);
  - či sú upínacie zuby podporného ramena čisté a v dobrom stave; zuby je možné čistiť drôtenou kefou;
  - či je výstražný štítok na mieste a čitateľný;
  - či neexistujú žiadne ďalšie okolnosti, ktoré by mohli brániť bezpečnej a normálnej prevádzke.

Ak sa vyskytnú akékoľvek problémy, elektrický pohon a podporné zariadenie nepoužívajte, kým problémy nebudú odstránené.



**Obrázok 5A – Dvojstupňový tlačidlový kontaktný vypínač ON/OFF**

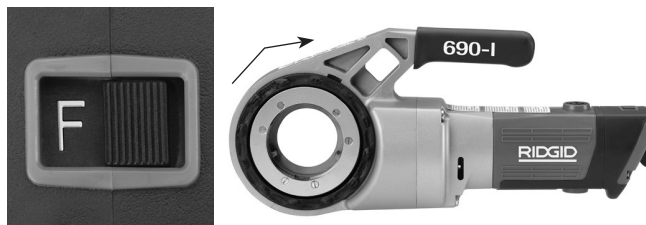


**Obrázok 5B – Dvojstupňový tlačidlový kontaktný vypínač ON/OFF**

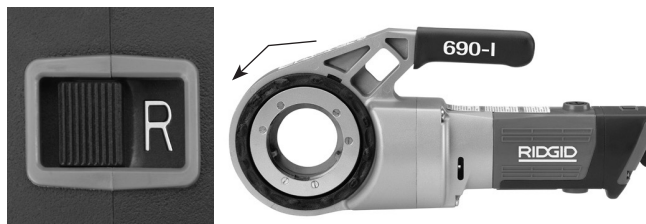
4. Skontrolujte ostré hrany závitníc na opotrebovanie, deformácie, triesky alebo iné problémy. Tupé alebo poškodené rezné nástroje zvyšujú potrebné množstvo sily, spôsobujú nízku kvalitu závitov a zvyšujú riziko zranenia.
5. Vykonajte kontrolu a údržbu všetkých ostatných použitých zariadení podľa ich pokynov, aby ste zaistili ich správne fungovanie.
6. Podľa pokynov na nastavenie a prevádzku skontrolujte, či elektrický pohon správne funguje.
  - Posuňte prepínač F/R (vpred/späť) do polohy F. Stlačte a uvoľnite vypínač ON/OFF (Obrázok 5). Overte si, či sa elektrický pohon otáča v smere hodinových ručičiek (pozri obrázok 6) a či sa po uvoľnení vypínača zastaví.
  - Zopakujte postup pre spätný smer R (proti smeru hodinových ručičiek). Ak sa elektrický pohon neotáča správnym smerom, alebo vypínač ON/OFF neovláda prevádzku stroja, nepoužívajte stroj, až kým sa poruchy neodstránia.

**POZNÁMKA** Polohu posuvného prepínača F/R zmeňte až po uvoľnení vypínača ON/OFF. Pred obrátením smeru posuvným prepínačom F/R počkajte, kým sa elektrický pohon úplne nezastaví. Zníži sa tým riziko poškodenia elektrického pohonu.

- Stlačte a podržte vypínač ON/OFF. Skontrolujte pohyblivé časti, či nie sú nesprávne usporiadané, spojené, a či stroj nevydáva neobvyklé zvuky alebo nejaví iný, nezvyčajný stav. Uvoľnite vypínač ON/OFF. Ak sa vyskytnú akékoľvek problémy, stroj nepoužívajte, kým nebude opravený.



**Obrázok 6A – Poloha prepínača F (FORWARD – VPRED) (v smere hodinových ručičiek)**



**Obrázok 6B – Poloha prepínača R (REVERSE – SPÄŤ) (proti smeru hodinových ručičiek)**

7. Uvoľnite vypínač ON/OFF a suchými rukami vyťahnite zástrčku stroja z elektrickej siete.

## Nastavenie a prevádzka

### ⚠ VÝSTRAHA



**Nastavte a prevádzkujte elektrický pohon podľa týchto postupov tak, aby sa znížilo riziko poranenia osôb spôsobeného elektrickým prúdom, zamotaním, úderom, pomliaždením a inými príčinami a aby sa znížilo riziko poškodenia elektrického pohonu.**

**Použite vhodné podporné zariadenie podľa týchto pokynov. Podporné zariadenia zlepšujú ovládanie a znižujú riziko nárazu, pomliaždenia a/alebo iných zranení.**

**Ak používate iné podporné zariadenie než dodané podporné rameno, podporné zariadenie musí pôsobiť na skriňu prevodovky alebo skriňu ventilátora. Podporné zariadenia, ktoré sa dotýkajú skrine motora alebo rukoväte, ich môžu poškodiť alebo zvýšiť riziko zranenia.**

**Vždy pevne držte elektrický pohon, keď režete závit alebo odskrutkovávate závitoreznú hlavu z rúry na odolanie závitorezným silám, bez ohľadu na použitie podporného zariadenia. To zníži riziko úderu, pomliaždenia a iných zranení.**

**Nenoste rukavice ani voľné oblečenie. Rukávy a bundy majte vždy zapnuté. Voľné oblečenie sa môže zachytiť do pohyblivých častí a spôsobiť tak zlomeniny alebo pomliaždeniny.**

**Rúru vhodne podoprite. To zníži riziko jej spadnutia, prevrátenia a vážneho zranenia.**

**Elektrický pohon nepoužívajte, ak vypínač ON/OFF a posuvný prepínač F/R správne nefungujú.**

**Pracovný proces aj vypínač ON/OFF musí ovládať jedna osoba. Nikdy nesmie so zariadením pracovať viac osôb. V momente zachytenia musí mať obsluha vypínač ON/OFF pod kontrolou.**

1. Skontrolujte pracovisko:

- či má dostatočné osvetlenie.
- či sa v ňom nenachádzajú horľavé kvapaliny, výpary a prach, ktoré sa môžu vznietiť. Ak sú prítomné, nepracujte v takomto prostredí, kým nie sú identifikované zdroje možného vznietenia a kým sa neuskutoční náprava. Elektrické pohony nie sú určené do explozívneho prostredia a môžu vytvárať iskry.
- či je všetky zariadenia a operátora zabezpečené čisté, rovné, stabilné a suché miesto.
- či má dobrú ventiláciu. Nepoužívajte stroj príliš často v malých, uzavretých priestoroch.
- či je k dispozícii riadne zapojená elektrická zásuvka so správnym napätím. Ak máte pochybnosti, nechajte zásuvku skontrolovať licencovaným elektrikárom.
- či je trasa k elektrickej zásuvke čistá, aby sa na nej nenachádzali žiadne zdroje možného poškodenia napájacej šnúry.

2. Skontrolujte rúru, na ktorú má byť rezaný závit, a pridruženú armatúru. Overte si, či je elektrický pohon tým správnym náradím pre danú úlohu. *Pozri Technické údaje.* Na rezanie závitov nepoužívajte nič iné než bežné vybavenie.

Zariadenia na iné aplikácie môžete nájsť v katalógu spoločnosti Ridge Tool, online na RIDGID.com alebo sa telefonicky spojte s oddelením technických služieb spoločnosti Ridge Tool v USA a Kanade na čísle (800) 519-3456.

3. Uistite sa, že ste zariadenie dôkladne skontrolovali.

4. Riadne pripravte rúru podľa vašich potrieb. Uistite sa, že rúra je rovno odrezaná a odhrotovaná. Šikmo odrezaná rúra môže pri rezaní závitov poškodiť závitnice alebo sťažiť zapadnutie závitorezných hláv.

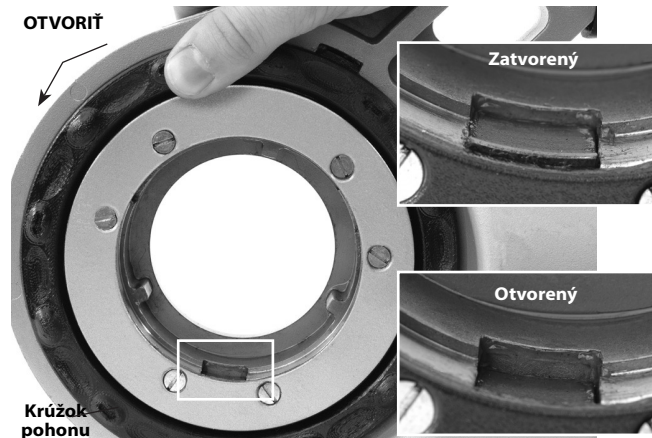
### Inštalácia závitorezných hláv

5. Inštalácia závitoreznej hlavy o priemere 1½" alebo 2", resp. adaptéra do 690-I:

- Uistite sa, že vypínač ON/OFF je uvoľnený a elektrický pohon je odpojený z elektrickej siete.
- Otáčaním krúžku pohonu proti smeru hodinových ručičiek otvorte prídružný mechanizmus. Úplne zasunúť drážkované zakončenie závitoreznej hlavy alebo adaptéra (v prípade potreby) do elektrického pohonu (Obrázok 7).

c. Uvoľnite krúžok pohonu a presvedčte sa, či je hlava/adaptér zaistená/ý.

d. Demontáž vykonáte opačným procesom.



**Obrázok 7 – Prídružný mechanizmus, krúžok pohonu v otvorenej/zatvorenej polohe**



**Obrázok 8 – Inštalácia adaptéra do 690-I**

6. Inštalácia závitorezných hláv o priemere 1¼" a menšom:

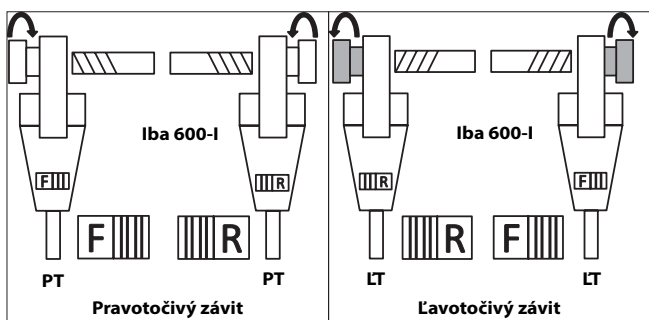
- Uistite sa, že vypínač ON/OFF je uvoľnený a elektrický pohon je vytiahnutý zo zásuvky.
- V prípade potreby nainštalujte adaptér do 690-I (Obrázok 8).
- Rovno zasovajte osemhranný koniec závitoreznej hlavy 11-R do elektrického pohonu, kým ju nezaistí pružný krúžok. V prípade 600-I je možné závitoreznú hlavu zasunúť do oboch strán elektrického pohonu. V prípade 690-I je možné závitoreznú hlavu zasunúť iba zo strany adaptéra.

d. Ak chcete závitoreznú hlavu demontovať, vytiahnite ju z elektrického pohonu. V prípade potreby použite kladivo s mäkkou plochou alebo drevený klát, ktorým vyklepte hlavu von. Neudierajte na závitoreznú hlavu, môže to poškodiť náradie.



**Obrázok 9 – Inštalácia závitoreznej hlavy do elektrického pohonu 600-I**

7. Nastavte posuvný prepínač F/R elektrického pohonu pre požadovaný pravotočivý alebo ľavotočivý závit. Pozri obrázok 10.



**Obrázok 10 – Orientácia posuvného prepínača/závitoreznej hlavy**

8. Uistite sa, že rúra, na ktorú chcete vyrezať závit, je stabilná a zaistená. Počas používania tak zabránite jej prevráteniu. Na podporu dĺžky rúry používajte vhodné stojany.

9. Skontrolujte hladinu oleja na rezanie závitov RIDGID v olejovej masteničke RIDGID 418. Odoberte misku na triesky a presvedčte sa, či je filtračné sito čisté a úplne ponorené v oleji. V prípade potreby vymeňte alebo doplnite olej. Umiestnite nádobu olejovej masteničky 418 pod koniec rúry, na ktorú chcete rezať závit.

### Odolanie závitorezným silám

Používanie dodaného podporného ramena:

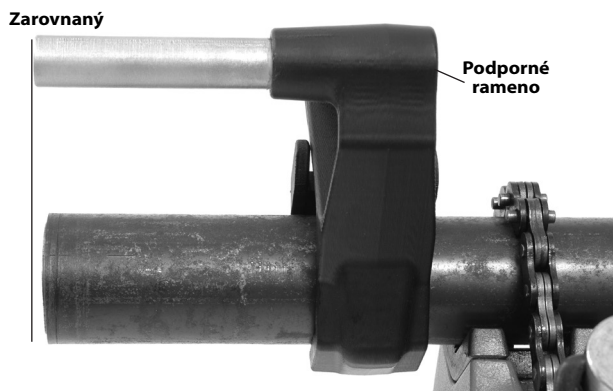
a. Vždy používajte dodané podporné rameno (601 alebo 602 pre 600-I, 691 alebo 692 pre 690-I) s výnimkou, že sa nemôže použiť kvôli priestorovým či iným obmedzeniam. Podporné rameno sa upne na rúru a pomáha odolávať závitorezným silám.

b. Umiestnite podporné rameno na rúru tak, aby bolo vyrovnané s koncom rúry a aby bola jeho horná časť horizontálne (Obrázok 11). To zaisťuje správne umiestnenie podporného ramena na rezanie závitov a zabráni, aby sa do motora dostal olej na rezanie závitov (Obrázok 12).

c. Uistite sa, že čeľuste podporného ramena sú zarovnané s rúrou, a pevne utiahnite podporné rameno.



**Obrázok 11A – Umiestnenie podporného ramena**



**Obrázok 11B – Umiestnenie podporného ramena**



**Obrázok 12 – Správna orientácia elektrického pohonu**

Keď nie je možné použiť podporné rameno:

Pri rezaní závitú na rúru na mieste alebo v podobnej aplikácii ho kvôli priestorovým obmedzeniam možno nebude možné použiť.

- Ak je to možné, odnímate rúru a závit vo zveráku. Ak to nie je možné, na odolanie závitorezným silám sa musí použiť iné podporné zariadenie, ako umiestnenie prevodovky elektrického pohonu alebo skrine ventilátora oproti susednému konštrukčnému prvku (napríklad steny, nosníky a stropné trámy). To si vyžaduje, aby rúra a okolie uniesli hmotnosť náradia a odolali závitorezným silám. Možno bude nutné pridať dočasné alebo trvalé podpory rúr alebo konštrukčné prvky.
- Pre pravotočivé závitky sa bude hlava otáčať v smere hodinových ručičiek (pohľad na čelo závitoreznej hlavy). Sily vyvinuté závitorezným momentom budú v opačnom smere alebo proti smeru hodinových ručičiek. Pri ľavotočivých závitoch budú otáčanie a sila obrátené. Uistite sa, že podporné zariadenie je správne nastavené na pohltenie závitoreznej sily.
- Neumiestňujte motor elektrického pohonu ani rukoväť oproti susedným konštrukčným prvkom pre pôsobenie závitorezných síl, pretože to môže poškodiť elektrický pohon.
- Udržujte elektrický pohon oproti konštrukčnému prvku a nestrkajte prsty ani ruky medzi elektrický pohon a konštrukčný prvok. Pri odskrutkovaní závitoreznej hlavy zo závitú vždy pevne držte elektrický pohon, aby odolal silám v dôsledku lámania triesok závitú. Tieto kroky znížia riziko úderu, pomliaždenia a iných zranení. Vypínač ON/OFF je možné kedykoľvek uvoľniť pre vypnutie elektrického pohonu.

Vždy pevne držte elektrický pohon, keď režete závit alebo odskrutkovávate závitoreznú hlavu z rúry, na absorbovanie síl bez ohľadu na použitie podporného zariadenia. Toto zníži riziko nárazu, pomliaždenia alebo iných zranení. Hlavný vypínač je možné kedykoľvek uvoľniť na vypnutie elektrického pohonu.

## Rezanie závitov

- Suchými rukami zapojte zástrčku elektrického pohonu do elektrickej zásuvky.
- Umiestnite závitoreznú hlavu nad koniec rúry a podprite elektrický pohon podľa postupu v časti *Odolanie závitorezným silám*.



Obrázok 13 – Spustenie rezania závitú

- Ak chcete začať rezať závit, súčasne aktivujte vypínač ON/OFF a dlaňou voľnej ruky zatlačte na kryciu dosku závitoreznej hlavy. Keď tlačíte na kryciu dosku, nenoste rukavice, šperky a nepoužite ani handru – zvyšuje to riziko zamotania a zranenia. Len čo závitnice zapadnú do rúry, závitky budú rezané ako sa závitnice budú pohybovať smerom ku koncu rúry.

Vždy pevne držte rukoväť elektrického pohonu, aby ste odolali silám rukoväte. Podporné zariadenia sa môžu skĺznuť, čím sa elektrický pohon posunie. Vypínač ON/OFF je možné kedykoľvek uvoľniť pre vypnutie elektrického pohonu.

- Prestaňte tlačiť na kryciu dosku a z olejovej masteničky naneste hojne oleja na rezanie závitov RIDGID do oblasti rezania závitú. To zmenší závitorezný moment, zlepši kvalitu závitú a zvýši životnosť.



Obrázok 14 – Rezanie závitú na rúru

14. Stláčajte vypínač ON/OFF, kým nebude koniec rúry zarovno s hranou závitníc, potom uvoľnite vypínač. Počkajte, kým sa elektrický pohon úplne nezastaví.



**Obrázok 15 – Rúra vyrovnaná s hranou závitníc**

15. Ak chcete odstrániť závitoreznú hlavu z rúry so závitom, obráťte smer prepínačom F/R a aktivujte vypínač ON/OFF. Pevne držte rukoväť elektrického pohonu, aby ste odolali silám vyvinutým pri odskrutkovaní závitoreznej hlavy.

**POZNÁMKA** Polohu posuvného prepínača F/R zmeňte až po uvoľnení vypínača ON/OFF. Pred obrátením smeru posuvným prepínačom F/R počkajte, kým sa elektrický pohon úplne nezastaví. Zníži sa tým riziko poškodenia elektrického pohonu.

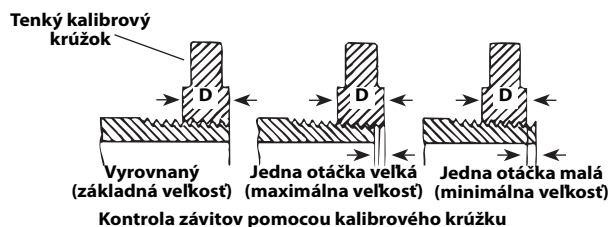
16. Uvoľnite vypínač a odnímate elektrický pohon a závitoreznú hlavu z rúry.  
 17. Suchými rukami vyťahnite zástrčku elektrického pohonu z elektrickej zásuvky.  
 18. Utrite olej a úlomky zo závitov a závitoreznej hlavy. Dávajte pritom pozor, aby ste sa neporezali na ostrých úlohkoch alebo hranách. Utrite všetok rozliaty olej na pracovisku.

### Kontrola závitov

1. Odstráňte zo závitov všetok olej, triesky a úlomky.
2. Vizuálne skontrolujte závit. Závit by mal byť hladký a úplný, s dobrým tvarom. Ak spozorujete problémy, ako je pretrhnutie závitov, tenké závitov alebo neokružnosť rúry, závit nemusí pri skrútkovaní tesniť. Pozrite si *tabuľku „Riešenie problémov“*, kde nájdete pomoc pri diagnostike týchto problémov.
3. Skontrolujte veľkosť závitov. Preferovaný spôsob kontroly veľkosti závitov je pomocou kalibrového krúžku. Existujú rôzne typy kalibrových krúžkov a ich využitie sa môže líšiť od využitia zobrazeného na *obrázku 16*.

- Rukou pevne naskrutkujte kalibrový krúžok na závit.

- Preskúmajte, ako ďaleko vyčnieva koniec rúry cez kalibrový krúžok. Koniec rúry by mal byť v jednej rovine so stranou kalibrového krúžku plus/mínus jedna otáčka. Ak závit nemeria správne, odrežte závit, nastavte závitoreznú hlavu a vyrežte iný závit. Používanie závitov, ktorý nemeria správne, môže spôsobiť netesnosť.



**Obrázok 16 – Kontrola veľkosti závitov**

- Ak kalibrový krúžok nie je k dispozícii, na kontrolu veľkosti závitov je možné použiť novú čistú armatúru zastupujúcu armatúru použitú neskôr priamo na mieste montáže. Pri závitoch o priemere 2" a pod NPT by sa mali závitov rezať tak, aby sa dosiahlo 4 až 5 otáčok na ručné utiahnutie s armatúrou, a pri závitoch o priemere 2" a pod BSPT by to mali byť 3 otáčky.

### Pokyny na údržbu

#### ⚠ VÝSTRAHA

**Pred vykonaním údržby alebo akýchkoľvek nastavení sa uistite, či je vypínač ON/OFF uvoľnený, a či je stroj odpojený z elektrickej siete.**

**Údržbu nástroja vykonávajte podľa týchto postupov, aby ste znížili riziko úrazu v dôsledku zásahu elektrickým prúdom, zamotania a iných príčin.**

#### Čistenie

1. Po každom použití vyprázdňte triesky, ktoré vznikli pri rezaní závitov, z misky na triesky olejovej masteničky 418 a utrite všetky zvyšky oleja.
2. Elektrický pohon vrátane rukoväte a ovládacích prvkov očistite od oleja, maziva a iných nečistôt. Vyčistite prídržný mechanizmus 690-I.
3. Podporné rameno očistite od oleja, maziva a iných nečistôt. V prípade potreby očistite čeluste podporného ramena drôtenou kefou.
4. Odstráňte triesky a nečistoty zo závitorezných hláv.

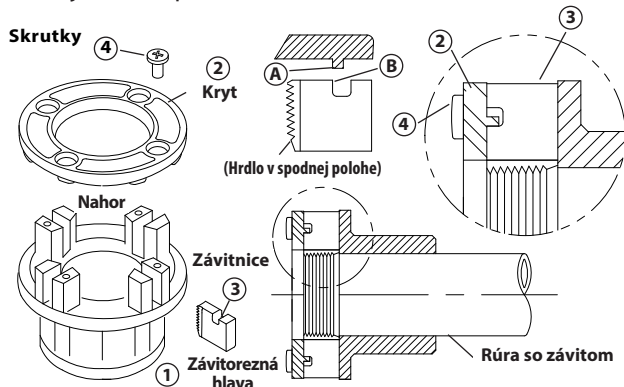
#### Výmena závitníc v závitorezných hlavách 11-R

Na inštaláciu do závitorezných hláv RIDGID 11-R je k dispozícii široká paleta závitníc. Dostupnosť si pozrite v katalógu.

1. Odskrutkujte štyri skrutky ④ z krytu ② a odnímate kryciu dosku.



- Odstráňte staré závitnice (3) zo závitoreznej hlavy.
- Vložte nové závitnice do drážok – očíslovanou hranou nahor. Čísla na závitniciach sa musia zhodovať s číslami na drážkach závitoreznej hlavy. Závitnice vždy vymieňajte ako súpravu.



Obrázok 17 – Inštalácia závitníc do závitoreznej hlavy

- Nasadte späť kryciu dosku a zľahka utiahnite štyri skrutky.
- Kým závitnice nezačnú rezať závit, umiestnite závitoreznú hlavu na rúru s už vyrezaným závitom. To si vynúti zastavenie na závitniciach (4) smerom von proti okám (4) na krycej doske a správne sa nastaví veľkosť.
- Pevne utiahnite štyri skrutky. Odnímte rúru so závitom a urobte skúšobný rez.

## Výmena kief v motore

Kefy motora kontrolujte každých 6 mesiacov. Vymeňte ich, keď sú opotrebované na menej ako 5/16" (8 mm).



Obrázok 18 – Inštalácia kiefy

- Odpojte stroj od napájacieho zdroja.
- Odskrutkujte krytky kief (Obrázky 1 a 2). Odnímte a skontrolujte kefy. Vymeňte ich, keď sú opotrebované na menej ako 5/16" (8 mm). Prezrite komutátor, či nie je opotrebovaný. Ak je nadmerne opotrebovaný, nechajte ho opraviť.

- Nainštalujte kefy späť/nainštalujte nové kefy a pevne utiahnite krytky kief.
- Osvedčeným postupom je nechať bežať jednotku 15 minút na voľnobeh v smere vpred, následne 15 minút v spätnom smere, aby sa kefy pred použitím usadili na komutátore.

## Príslušenstvo

### ⚠ VÝSTRAHA

S cieľom zníženia rizika vážnych zranení používajte výlučne príslušenstvo špecificky navrhnuté a odporúčené na použitie s elektrickým pohonom 600-I a 690-I, ako je uvedené v nasledujúcom zozname. Iné príslušenstvo vhodné pre použitie s inými náradím môže byť nebezpečné pri použití s elektrickými pohonmi 600-I a 690-I.

### Príslušenstvo elektrického pohonu 600-I a 690-I

Katalóg. č.	Popis
45923	Podporné rameno 602
45928	Podporné rameno 692
46668	Prepravná debna 600-I
46673	Prepravná debna 690-I
10883	Olejová mastenička 418 s 1 galónom (3,8 litra) oleja Nu-Clear
16703	Zverák 425 1/8" - 2 1/2" TRISTAND
36273	Zverák 460-6 1/8" - 6" TRISTAND
45543	Kefy 115V
45588	Kefy 230V

Ďalšie informácie o príslušenstve určenom pre toto zariadenie môžete nájsť v katalógu spoločnosti RIDGID a online na RIDGID.com

## Skladovanie zariadenia

**⚠ VÝSTRAHA** Elektrické pohony treba uchovávať vo vnútorných priestoroch alebo dobre prikryté pre prípad dažďového počasia. Stroj skladujte v uzamknutom priestore mimo dosahu detí a osôb, ktoré nie sú oboznámené so strojmi. Tieto stroje môžu v rukách nezaškolených používateľov spôsobiť vážne zranenia.

## Servis a opravy

### ▲ VÝSTRAHA

**Nesprávny servis alebo opravy môžu spôsobiť, že prevádzka zariadenia bude nebezpečná.**

V časti „Pokyny na údržbu“ nájdete pokyny na vykonávanie všetkých potrebných úkonov týkajúcich sa údržby tohto stroja. Akékoľvek problémy, ktoré nie sú popísané v tejto časti, môže vyriešiť iba technik autorizovaného servisu nástrojov RIDGID.

Nástroj je potrebné dopraviť do nezávislého autorizovaného servisného strediska spoločnosti RIDGID alebo vrátiť do výrobného závodu. Používajte len náhradné súčiastky RIDGID.

Pre informácie o najbližšom nezávislom autorizovanom servisnom stredisku RIDGID alebo v prípade akýchkoľvek otázok o servise a opravách:

- Obráťte sa na miestneho distribútora značky RIDGID®.
- Navštívte webovú lokalitu RIDGID.com, kde získate informácie o miestnom kontaktnom bode pre výroby značky RIDGID.
- Spojte sa s oddelením technických služieb spoločnosti Ridge Tool prostredníctvom e-mailu [rtctechservices@emerson.com](mailto:rtctechservices@emerson.com) alebo (v USA a Kanade) volajte (800) 519-3456.

## Olej na rezanie závitov

Informácie o oleji na rezanie závitov RIDGID® a manipulácii s ním si pozrite na štítkoch na nádobe a v bezpečnostnom liste (MSDS). MSDS je k dispozícii na RIDGID.com alebo kontaktujte oddelenie technických služieb spoločnosti Ridge Tool na čísle (800) 519-3456 v USA a Kanade, prípadne [rtctechservices@emerson.com](mailto:rtctechservices@emerson.com).

## Likvidácia

Časti elektrických pohonov obsahujú vzácne materiály, ktoré je možné recyklovať. Vo svojom okolí určite nájdete Firmy, ktoré sa špecializujú na recykláciu. Všetky komponenty zlikvidujte v súlade s príslušnými nariadeniami. Ak potrebujete viac informácií, obráťte sa na váš miestny úrad, ktorý riadi odpadové hospodárstvo.



**V krajinách ES:** Nevyhadzujte elektrické zariadenia spolu s domácim odpadom!

V súlade s Európskou smernicou 2012/19/EÚ o zbere a recyklácii odpadu z elektrických a elektronických zariadení a jej implementáciou do štátnej legislatívy sa musia elektrické zariadenia, ktoré nie je možné ďalej používať,

zbierať a likvidovať oddelene a spôsobom, ktorý neohrozuje životné prostredie.

## Riešenie problémov

SYMPTÓM	MOŽNÉ PRÍČINY	RIEŠENIE
<b>Stroj sa nechce spustiť.</b>	Kefy sa nedotýkajú armatúry.	Skontrolujte kefy a vymeňte ich, ak sú opotrebované.
<b>Stroj nedokáže rezať závit.</b>	Tupé závitnice. Preťaženie v dôsledku pretrhnutých alebo neokrúhlych závitov. Nízka kvalita alebo nedostatok oleja na rezanie závitov. Nedostatočné sieťové napätie.	Vymeňte závitnice. Možné príčiny nájdete nižšie.  Použite dostatočné množstvo oleja na rezanie závitov RIDGID®. Skontrolujte napájacie napätie.
<b>V komutátore motora sa tvoria iskry.</b>	Nedostatočný kontakt medzi kefami a komutátorom. Kefy sa nedotýkajú komutátora správne.  Kefy rôznych výrobcov. Nové kefy.	Utiahnutím krytiel kief zaistíte pevné pritlačenie kief na komutátor. Vymeňte opotrebované kefy a/alebo armatúru. Používajte iba kefy RIDGID®. Usaďte kefy spustením jednotky na 15 minút na voľnobeh v smere vpred/späť.
<b>Závitorezná hlava nechce spustiť rezanie závitov.</b>	Závitorezná hlava nie je rovno s koncom rúry. Sila zapadnutia nesprávne vyvinutá na závitoreznú hlavu. Koniec rúry odrezaný šikmo. Tupé alebo zlomené závitnice. Stroj beží nesprávnym smerom.  Závitnice nesprávne nastavené v závitoreznej hlave.	Zatlačením na kryciu dosku závitoreznej hlavy spustíte rezanie závitov. Vyviňte silu zapadnutia cez os rúry.  Odrežte koniec rúry rovno. Vymeňte závitnice. Skontrolujte polohu posuvného prepínača F/R. Zaistite, aby boli závitové čeluste nastavené smerom von proti okám krycej dosky.
<b>Pretrhnuté závit.</b>	Poškodené, odštiepené alebo opotrebované závitorezné hlavy. Nevhodný olej na rezanie závitov alebo nedostatočné množstvo oleja. Nesprávny typ závitnice pre materiál.  Zlý materiál/kvalita rúry.	Vymeňte závitnice.  Použite dostatočné množstvo oleja na rezanie závitov RIDGID®. Vyberte vysokootáčkové závitnice z nehrdzavejúcej ocele alebo zliatiny pre aplikáciu. Použite kvalitnejšiu rúru.
<b>Neokrúhle alebo stlačené závit.</b>	Príliš tenká hrúbka steny rúry.	Použite plán 40 alebo väčšiu hrúbku steny.
<b>Podporné zariadenie sa počas rezania závitov otáča.</b>	Čeluste podporného zariadenia sú znečistené. Podporné rameno je nesprávne vyrovnané. Podporné rameno nie je tesné.	Vyčistite ich drôtenou kefou.  Vyrovnajzte podporné rameno v jednej rovine s rúrou. Utiahnite vodiacu skrutku.
<b>Tenké závit.</b>	Závitovky sú v nesprávnom poradí.	Umiestnite závitovky do správnej drážky závitoreznej hlavy.



# Clupe electrice

## 600-I/690-I



### **⚠ AVERTIZARE!**

Citiți cu atenție manualul de exploatare înainte de a utiliza această sculă. Neînțelegerea și nerespectarea conținutului acestui manual poate cauza electrocutări, incendii și/sau vătămări personale grave.

#### Clupe electrice 600-I/690-I Power Drives

Înregistrați seria de mai jos și rețineți seria produsului care se află pe placa de identificare.

Nr. serie  
Cat.

--	--

## Cuprins

<b>Formular de înregistrare a numărului de serie</b> .....	227
<b>Simboluri de siguranță</b> .....	229
<b>Avertizări generale privind siguranța mașinilor-unelte electrice</b> .....	229
Siguranța în zona de lucru .....	229
Siguranța electrică .....	229
Siguranța individuală .....	230
Utilizarea și întreținerea mașinilor-unelte electrice .....	230
Service .....	231
<b>Informații specifice privind siguranța</b> .....	231
Siguranța clupelor electrice .....	231
<b>Descriere, specificații și echipamentul standard</b> .....	232
Denumire tip .....	232
Echipamentul standard .....	232
Specificații tehnice .....	233
<b>Inspekția înainte de utilizare</b> .....	233
<b>Pregătire și exploatare</b> .....	234
Montarea capetelor .....	235
Rezistența la forțele de filetare .....	236
Filetare .....	237
Inspectarea filetelor .....	238
<b>Instrucțiuni de întreținere</b> .....	238
Curățarea .....	239
Schimbarea cuțitelor filieră în capetele filieră 11-R .....	239
Înlocuirea periiilor în motor .....	239
<b>Accesorii</b> .....	239
<b>Depozitarea mașinii</b> .....	240
<b>Service și reparare</b> .....	240
<b>Ulei pentru filetare</b> .....	240
<b>Dezafectarea</b> .....	240
<b>Depanare</b> .....	241
<b>Declarație de conformitate CE</b> .....	Interior copertă spate
<b>Garanție pe viață</b> .....	Coperta spate

\* Traducere a instrucțiunilor originale

## Simboluri de siguranță

În acest manual al utilizatorului și pe produs sunt utilizate simboluri de siguranță și cuvinte semnalizatoare pentru a comunica informații importante pentru siguranță. Acest capitol este furnizat pentru îmbunătățirea înțelegerii respectivelor cuvinte semnal și a simbolurilor.



Acesta este simbolul de avertizare privind siguranța. Este utilizat pentru a vă avertiza cu privire la posibilele pericole de accidentare. Respectați toate mesajele de siguranță, care urmează după acest simbol, pentru a evita posibilele vătămări sau deces.

### ⚠ PERICOL

Simbolul PERICOL indică o situație periculoasă care, dacă nu este evitată, va duce la deces sau la accidentări grave.

### ⚠ AVERTIZARE

AVERTIZARE indică o situație periculoasă care, dacă nu este evitată, poate cauza deces sau accidentări grave.

### ⚠ PRECAUȚIE

PRECAUȚIE indică o situație periculoasă care, dacă nu este evitată, ar putea cauza accidentări minore sau moderate.

### NOTĂ

NOTĂ indică informații referitoare la protejarea proprietății.



Acest simbol înseamnă că trebuie să citiți cu atenție manualul de exploatare înainte de a utiliza echipamentul. Manualul de exploatare conține informații importante referitoare la exploatarea sigură și corespunzătoare a echipamentului.



Acest simbol înseamnă că trebuie să purtați întotdeauna ochelari de protecție cu apărători laterale atunci când manevrați sau utilizați acest echipament pentru a reduce riscul vătămării ochilor.



Acest simbol indică riscul de prindere a degetelor, mâinilor, hainelor și altor obiecte pe sau între pinioane sau alte piese rotative, cauzând accidentări prin strivire.



Acest simbol indică riscul de electrocutare.



Acest simbol indică faptul că dispozitivul se poate răsturna, cauzând răniri prin lovire sau strivire.



Acest simbol înseamnă să nu purtați mănuși în timp ce acționați această mașină, pentru a reduce riscul de prindere.



Acest simbol înseamnă că trebuie utilizat dispozitivul de reazem pentru a opune rezistență la forțele de filetare, a mări controlul și a reduce riscul de lovire, strivire sau alte vătămări.

## Avertizări generale privind siguranța mașinilor-unelte electrice\*

### ⚠ AVERTIZARE

**Citiți toate avertizările de siguranță, instrucțiunile și specificațiile livrate cu această mașină-unealtă. Nerespectarea tuturor instrucțiunilor prezentate mai jos poate cauza electrocutări, incendii și/sau accidentări grave.**

### **PĂSTRAȚI TOATE AVERTIZĂRILE ȘI INSTRUCȚIUNILE PENTRU CONSULTARE ULTERIOARĂ!**

Termenul „mașină-unealtă electrică” din avertismente se referă la mașina-unealta electrică alimentată de la rețeaua electrică (cablată) sau unealta electrică alimentată de la acumulator (necablată).

## Siguranța în zona de lucru

- **Mențineți zona de lucru curată și bine iluminată.** Zonele aglomerate sau întunecoase favorizează accidentele.
- **Nu acționați mașinile-unelte electrice în medii explozive, cum ar fi în prezența lichidelor, gazelor sau pulberilor inflamabile.** Mașinile-unelte electrice produc scântei care pot aprinde praful sau vaporii.
- **Nu permiteți copiilor și celor din jur să se apropie în timpul utilizării unei mașini-unelte electrice.** Distragerea atenției poate cauza pierderea controlului.

## Siguranța electrică

- **Fișele de conectare ale mașinii-unelte electrice trebuie să se potrivească prizei. Nu modificați niciodată ștecherul în niciun fel. Nu utilizați fișele de conectare ale adaptorului la mașinile-unelte electrice prevăzute cu împământare (legate la pământ).** Fișele de conectare nemodificate și prizele potrivite vor reduce riscul de electrocutare.

\*Textul utilizat în capitolul Avertizări generale privind siguranța mașinilor-unelte electrice al acestui manual este conform cerințelor, redarea cuvânt cu cuvânt a standardului aplicabil UL/CSA 62841. Acest capitol conține practici de reguli generale de siguranță pentru numeroase tipuri diferite de mașini-unelte electrice. Nu fiecare prevedere se aplică fiecărui echipament, și unele nu se aplică acestui echipament.

- **Evitați contactul corpului cu suprafețe legate la pământ sau la masă precum țevile, caloriferele, plitele și frigidererele.** Există un risc sporit de electrocutare în cazul în care corpul dvs. este în contact cu pământul sau conectat la împământare.
- **Nu expuneți mașinile-unelte electrice la ploaie sau la condiții de umezeală.** Apa pătrunsă într-o mașină-unelă electrică va spori riscul de electrocutare.
- **Nu maltratați cablul de alimentare. Nu utilizați niciodată cablul de alimentare pentru a transporta, trage sau deconecta mașinile-unelte electrice. Feriți cablul de alimentare de căldură, ulei, muchii ascuțite sau piese în mișcare.** Cablurile de alimentare deteriorate sau încălcite sporesc riscul de electrocutare.
- **Când exploatați o mașină-unelă electrică în exterior, utilizați un cablu prelungitor adecvat pentru utilizare în exterior.** Utilizarea unui cablu potrivit pentru utilizarea în exterior reduce pericolul de electrocutare.
- **Dacă utilizarea unei mașini-unelte electrice într-un loc umed nu poate fi evitată, utilizați o sursă de alimentare protejată printr-un întrerupător cu sesizarea curenților de punere la pământ (GFCI).** Utilizarea unui GFCI (întrerupător de siguranță sensibil la defect de împământare) reduce pericolul de electrocutare.

## Siguranța individuală

- **Fiți atent, urmăriți ce faceți și acționați mașina-unelă electrică cu simț practic. Nu utilizați mașini-unelte electrice când sunteți obosit sau sub influența drogurilor, a alcoolului sau a medicamentelor.** Un moment de neatenție în timp ce exploatați mașinile-unelte electrice poate avea drept rezultat accidentări grave.
- **Utilizați echipamentele individuale de protecție. Întotdeauna purtați echipament de protecție pentru ochi.** Echipamentul de protecție, precum masca anti praf, pantofii de protecție antiderapanți, casca sau antifoanele, folosite în condiții adecvate, reduc riscul de accidentare.
- **Împiedicați pornirea neintenționată. Asigurați-vă că întrerupătorul mașinii-unelte este în poziția oprit înainte de conectarea acesteia la o sursă de alimentare și/sau baterie, de ridicarea sau transportarea sa.** Transportarea mașinilor-unelte electrice cu degetul pe întrerupător sau punerea sub tensiune a mașinilor-unelte electrice cu întrerupătorul în poziția pornit provoacă accidente.
- **Îndepărtați orice cheie de reglare sau cheie fixă înainte de a porni mașina-unelă electrică.** O cheie fixă sau o cheie lăsată atașată la o piesă rotativă a mașinii-unelte electrice poate avea ca rezultat vătămări.

- **Nu vă aplecați peste unealta electrică. Mențineți-vă permanent sprijinul adecvat și echilibrul.** Acest lucru asigură un control mai bun al mașinilor-unelte electrice în situații neprevăzute.
- **Îmbrăcați-vă corespunzător. Nu purtați haine largi sau bijuterii. Feriți părul, hainele și mânușile de piesele în mișcare.** Hainele largi, bijuteriile sau părul lung pot fi prinse în piesele în mișcare.
- **Dacă dispozitivele sunt prevăzute pentru racordarea instalațiilor extractoare și colectoare de praf, asigurați-vă că acestea sunt conectate și utilizate corespunzător.** Colectarea prafului poate reduce pericolele provocate de acesta.
- **Nu lăsați ca familiarizarea prin utilizarea frecventă a mașinilor-unelte să vă facă încrezător și să ignorați principiile de siguranță.** O acțiune neglijentă poate cauza vătămări grave într-o fracțiune de secundă.

## Utilizarea și întreținerea mașinilor-unelte electrice

- **Nu forțați mașinile-unelte electrice. Utilizați mașina-unelă electrică corespunzătoare pentru aplicația dvs.** Mașina-unelă electrică corectă va funcționa mai bine și mai sigur la frecvența pentru care a fost proiectat.
- **Nu utilizați mașina-unelă electrică dacă butonul nu îl pornește ON sau oprește OFF.** Orice mașină-unelă electrică care nu poate fi controlată de la întrerupător este periculos și trebuie reparat.
- **Deconectați ștecherul de la sursa de alimentare electrică și/sau demontați pachetul de baterii, dacă este detașabil, din mașina-unelă electrică înainte de a efectua orice reglaje, de a schimba accesoriu sau de a depozita mașinile-unelte electrice.** Aceste măsuri preventive de siguranță reduc riscul pornirii accidentale a mașinilor-unelte electrice.
- **Nu lăsați mașinile-unelte electrice inactive la îndemâna copiilor și nu permiteți persoanelor nefamiliarizate cu mașina-unelă electrică sau cu aceste instrucțiuni să o acționeze.** Mașinile-unelte electrice sunt periculoase în mâinile utilizatorilor neinstruiți.
- **Întrețineți mașinile-unelte electrice și accesoriile. Depistați nealinierea sau blocarea pieselor în mișcare, deteriorarea componentelor și orice alte stări care ar putea afecta exploatarea mașinilor-unelte electrice. Dacă este avariata, duceți mașina-unelă electrică la reparat înainte de a o utiliza.** Numeroase accidente sunt cauzate de mașini-unelte electrice incorect întreținute.



- **Mențineți sculele tăietoare ascuțite și curate.** Sculele tăietoare întreținute corespunzător, cu muchii tăietoare ascuțite sunt mai puțin expuse la blocare și sunt mai ușor de operat.
- **Utilizați mașina-unealtă electrică, accesoriile și piesele, etc. în conformitate cu aceste instrucțiuni, ținând cont de condițiile de lucru și de munca ce trebuie efectuată.** Utilizarea mașinii-unelte electrice pentru operațiuni diferite de cele pentru care este destinată poate duce la situații periculoase.
- **Mențineți mânerul și suprafețele de apucare uscate, curate și fără ulei sau vaselină.** Mânerul și suprafețele de apucare alunecoase nu permit manipularea și controlul sigur al mașinii-unelte în situații neașteptate.

## Service

- **Încredințați pentru service mașina-unealtă electrică a dvs. unei persoane calificate pentru reparații, utilizând numai piese de schimb identice.** Aceasta va asigura menținerea siguranței în exploatarea mașinii-unelte electrice.

## Informații specifice privind siguranța

### ▲ AVERTIZARE

**Acest capitol conține informații importante despre siguranță, specifice acestui echipament.**

**Citiți cu atenție aceste atenționări înainte de utilizarea clupelor electrice pentru a reduce riscul de electrocutare sau de vătămare gravă personală.**

### PĂSTRAȚI ACESTE INSTRUCȚIUNI!

Păstrați acest manual în același loc cu mașina în vederea utilizării de către operator.

## Siguranța clupelor electrice

- **Utilizați întotdeauna dispozitivul de sprijin livrat cu mașina-unealtă.** Pierderea controlului în timpul operării poate cauza vătămări grave.
- **Țineți mâncile și hainele bine încheiate când operați mașina-unealtă. Nu vă aplecați peste mașina-unealtă sau peste țeavă.** Îmbrăcămintea poate fi agățată de țeavă sau mașina-unealtă cauzând strangularea.
- **O singură persoană are voie să conducă procesul de lucru și operarea mașinii-unelte.** Implicarea altor persoane poate cauza operații neintenționate și vătămarea.
- **Mențineți pardoselile uscate și fără materiale alunecoase, cum ar fi uleiul.** Podelele alunecoase provoacă accidente.

- **Nu purtați mănuși când operați mașina-unealtă. Nu vă aplecați peste mașina-unealtă sau peste țeavă.** Mănușile pot fi agățate de țeavă sau mașina-unealtă cauzând strangularea.
- **Întotdeauna țineți ferm clupa electrică atunci când filetați sau retrageți capul-filieră de pe țeavă pentru a rezista la forțe, indiferent de dispozitivul de reazem utilizat.** Aceasta va reduce riscul de lovire, strivire și alte modalități de vătămare.
- **Respectați instrucțiunile pentru utilizare corectă a mașinii. Nu o folosiți în alte scopuri, cum ar fi găurirea sau acționarea troliilor.** Alte utilizări sau modificarea mașinii pentru alte aplicații pot crește pericolul de vătămare gravă.
- **Nu utilizați această acționare electrică dacă întrerupătorul ON/OFF (pornit/oprit) este defect.** Acest întrerupător-comutator este un dispozitiv de siguranță care vă permite să opriți motorul atunci când eliberați întrerupătorul.
- **Nu folosiți filiere tocite sau deteriorate.** Sculele ascuțite de tăiere necesită un moment mai mic și clupa electrică este mai ușor de operat.
- **Mențineți mânerul uscat și curat, lipsit de ulei și vaselină.** Astfel se realizează controlul mai bun al mașinii-unelte.
- **Utilizați doar capete filiere RIDGID împreună cu acționările electrice RIDGID.** Alte capete filieră pot să nu se potrivească corect în acționarea electrică și astfel cresc riscul de deteriorare a echipamentului sau de vătămare personală.

Dacă aveți întrebări privind acest produs RIDGID®:

- Contactați distribuitorul local RIDGID.
- Vizitați RIDGID.com pentru a găsi punctul local de contact RIDGID.
- Contactați departamentul tehnic de service Ridge Tool Technical Service Department la [rtctechservices@emerson.com](mailto:rtctechservices@emerson.com), sau în SUA și Canada apelați (800) 519-3456.

## Descriere, specificații și echipamentul standard

### Denumire tip

Modelele de clupe electrice RIDGID® 600-I și 690-I Power Drives au acționări dublu izolate care furnizează energie pentru filetarea țevilor și conductelor. Rotirea înainte și înapoi poate fi selectată cu un întrerupător glisant în timp ce ON/OFF (pornirea/oprirea) este comandată cu un întrerupător de contact momentan cu două trepte.

Clupa electrică 600-I Power Drive este proiectată să utilizeze cap atașabil capete filieră RIDGID 11-R (țeavă 1/8" – 1 1/4"). Clupa electrică 690-I Power Drive este proiectată pentru a utiliza cap atașabil capete filieră RIDGID 11-R (țeavă 1/8" – 2"). Este necesar un adaptor pentru utilizarea clupe electrice 690-I Power Drive cu mărimile 1/8" – 1 1/4". Adaptorul și dimensiunile 1 1/2" – 2" sunt ținute în Clupa electrică 690-I utilizând un mecanism de reținere.



Figura 3 – 602/692 Brațe reazem

Numărul de serie al mașinii pentru Clupele electrice 600-I Power Drive și 690-I Power Drive este amplasată la partea inferioară a carcasei motorului. Ultimele 4 cifre ale numărului de serie indică luna și anul de fabricație (MMYY).



Figura 1 – Clupă electrică Model 600-I Power Drive



Figura 2 – Clupă electrică Model 690-I Power Drive

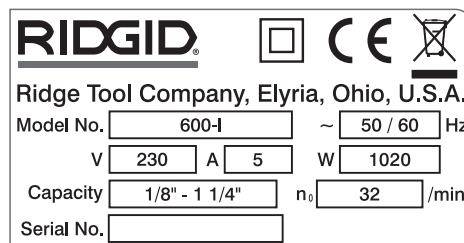


Figura 4 – Seria mașinii

### Echipamentul standard

Modelul de clupă electrică 600-I/690-I este livrat cu următoarele articole:

- Power Drive (Clupă electrică)
- 690-I Adaptor (doar 690-I)
- Manual de exploatare

**NOTĂ** Selecția materialelor adecvate și a metodelor de instalare, îmbinare și fasonare este responsabilitatea proiectantului sistemului și/sau a instalatorului. Selecția unor materiale și metode necorespunzătoare poate cauza defectarea sistemului.

Oțelul inoxidabil și alte materiale rezistente la coroziune pot fi contaminate în timpul instalării, îmbinării și fasonării. Această contaminare poate cauza corodare și defectare prematură. Înainte de orice tentativă de instalare, trebuie efectuată o evaluare atentă a materialelor și metodelor pentru condițiile specifice de serviciu, inclusiv cele chimice și de temperatură.

## Specificații tehnice

Parametri	Clupa electrică 600-I Power Drive	Clupa electrică 690-I Power Drive
Capacitate de filetare pentru țevi	1/8 la 1 1/4 inch (3 până la 32 mm)	1/8 până la 2 inch (3 până la 50 mm)
Menținere cap filieră	Arc inelar	Mecanism de reținere (1 1/2 – 2 inch) Arc inelar (1/8 – 1 1/4 inch)
Filete LH (pe stânga)	Da	Da
Braț de sprijin	Cat. 602, Cat. 601	Cat. 692, Cat. 691
Adaptor	Nu este necesar.	Se folosește cu capete filieră 1/8" până la 1 1/4"
Tipul motorului	Motor universal, monofazat	Motor universal, monofazat
Wați	1270 (120V), 1020 (220-240V)	1270 (120V), 1020 (220-240V)
Disponibil tensiune/fază	120V/1PH, 220-240V/1PH	120V/1PH, 220-240V/1PH
Amperi	12A (120V), 5A (220-240V)	12A (120V), 5A (220-240V)
Turația de operare (RPM)	36 (120V), 32 (220-240V)	36 (120V), 32 (220-240V)
Comenzi	Întreprupător glisant Înainte/Înapoi Întreprupător ON/OFF (pornit/oprit) de contact momentan în două trepte	Întreprupător glisant Înainte/Înapoi Întreprupător ON/OFF (pornit/oprit) de contact momentan în două trepte
Cap reductor	Aluminiu turnat sub presiune lubrifiat permanent	Aluminiu turnat sub presiune lubrifiat permanent
Lungime	20 inch (508 mm)	24,13 inch (613 mm)
Lățime	3,75 inch (95 mm)	4,75 inch (121 mm)
Înălțime	7,5 inch (191 mm)	8 inch (203 mm)
Greutate	12,65 lbs (5,7 kg)	21,15 lbs (9,6 kg)
Presiunea sonoră (L <sub>PA</sub> )*	83 dB(A), K=3	83 dB(A), K=3
Puterea sonoră (L <sub>WA</sub> )*	94 dB(A), K=3	94 dB(A), K=3
Vibrații*	< 2,5 m/s <sup>2</sup> , K=1,5	< 2,5 m/s <sup>2</sup> , K=1,5

\* Măsurătorile de sunet și vibrații sunt efectuate în conformitate cu un test standardizat prin Standardul IEC62841-1.

- Nivelurile de vibrații pot fi utilizate pentru comparare cu alte unelte și pentru evaluarea preliminară a expunerii.
- Emisiile sonore și de vibrații pot să varieze cu localizarea și utilizarea specifică a acestor unelte.
- Nivelurile de expunere zilnică pentru sunet și vibrații trebuie evaluate pentru fiecare aplicație și trebuie adoptate măsuri corespunzătoare de siguranță când este necesar. Evaluarea nivelurilor de expunere trebuie să considere timpul în care uneltea este deconectată și nu este utilizată. Acesta poate reduce semnificativ nivelul de expunere pe toată perioada de lucru.

## Inspecția înainte de utilizare

### ⚠ AVERTIZARE



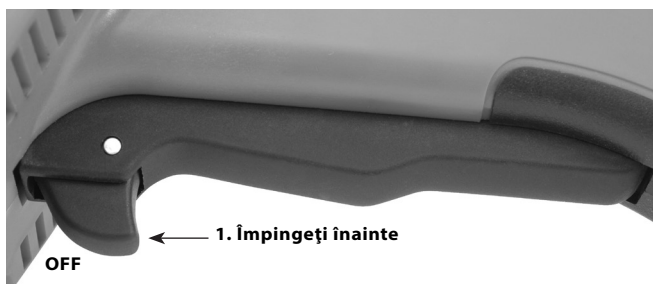
**Înainte de fiecare utilizare, verificați clupa electrică și remediați orice problemă pentru a reduce riscul de vătămare gravă de la electrocutare, strivire sau alte cauze și pentru a preveni deteriorarea clupe electrice.**

1. Asigurați-vă că clupa electrică nu este conectată la rețea.
2. Curățați clupa electrică de orice urmă de ulei, vaselină sau impurități incluzând mânerul și comenzile. Aceasta ajută inspecția și ajută la prevenirea scăpării de sub control a mașinii sau a comenzilor.

3. Verificați clupa electrică și brațul de reazem pentru următoarele:

- Deteriorarea sau modificări ale cablului de alimentare și a prizei.
- Asamblare corectă și integralitate.
- Piese deteriorate, prost aliniat sau gripate.
- Funcționarea corectă a întrerupătorului ON/OFF de contact momentan în două trepte (Figura 5).
- Dinții de prindere a brațului de reazem sunt curăți și în bune condiții. Dinții pot fi curățați cu o perie de sârmă.
- Prezența și lizibilitatea etichetelor de avertizare.
- Orice altă stare care ar putea împiedica exploatarea normală și în condiții de siguranță.

Dacă sunt probleme, nu utilizați dispozitivul de perforare până ce acestea nu sunt remediate.



**Figura 5A – Întrerupător de contact momentan în două trepte ON/OFF**

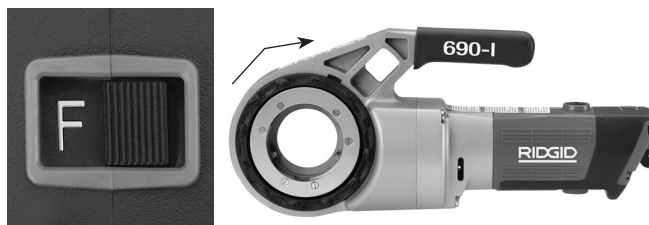


**Figura 5B – Întrerupător de contact momentan în două trepte ON/OFF**

4. Verificați marginile tăietoare al filierelor la uzură, deformare, ciobire sau alte situații. Dispozitivele de perforare tocite sau deteriorate măresc forța necesară, produc perforări de calitate proastă și sporesc riscul de accidentare.
5. Verificați și mențineți orice alt echipament utilizat conform instrucțiunilor sale pentru a asigura corecta lui funcționare.
6. Urmând instrucțiunile de pregătire și operare verificați clupa electrică la funcționare corectă.
  - Deplasați întrerupătorul F/R (înainte/înapoi) în poziția F. Apăsați și eliberați întrerupătorul ON/OFF (Figura 5). Aveți confirmarea că rotația clupei electrice se efectuează în sens orar (Vezi figura 6) și se oprește când întrerupătorul este eliberat.
  - Repetați procesul pentru funcționarea ÎNAPOI (sens antiorar). Dacă unitatea nu se rotește în direcția corectă sau dacă întrerupătorul cu pedală nu controlează funcționarea dispozitivului, nu utilizați dispozitivul înainte de a fi reparat.

**NOTĂ** Modificați poziția întrerupătorului glisant F/R numai când întrerupătorul declanșator ON/OFF este deconectat. Lăsați clupa electrică să se oprească complet înainte de a inversa direcția cu întrerupătorul glisant F/R. Aceasta va reduce riscul de deteriorare a clupe electrice.

- Apăsați și mențineți întrerupătorul ON/OFF. Inspectați componentele mobile, să nu fie nealiniat, blocate, să nu producă zgomote ciudate sau să nu existe condiții neobișnuite. Eliberați întrerupătorul. Dacă descoperiți condiții neobișnuite, nu utilizați echipamentul, până când nu a fost reparat.



**Figura 6A – Poziția întrerupătorului F (ÎNAINTE) (sens orar)**



**Figura 6B – Poziția întrerupătorului R (ÎNAPOI) (sens antiorar)**

7. Eliberați întrerupătorul ON/OFF și deconectați mașina cu mâinile uscate.

## Pregătire și exploatare

### ⚠ AVERTIZARE



**Pregătiți și exploatați clupa electrică conform acestor proceduri pentru a reduce riscul de vătămări cauzate de electrocutări, prinderi, loviri, strivire și alte cauze și pentru ajuta prevenirea deteriorării clupe electrice.**

**Utilizați un dispozitiv de reazem adecvat conform acestor instrucțiuni. Dispozitivele de reazem îmbunătățesc controlul și reduc riscurile de lovire, strivire și/sau alte vătămări.**

**Atunci când utilizați un dispozitiv de reazem altul decât brațul de reazem cel furnizat, dispozitivul de reazem trebuie să reacționeze contra carcasei reductorului sau carcasei ventilatorului. Dispozitivele reazem care ating carcasa motorului sau mânerului pot deteriora aceste piese sau crește riscul de vătămare.**

**Întotdeauna țineți ferm clupa electrică atunci când filetați sau îndepărtați capul filieră de pe țevă pentru a rezista la forțe, indiferent de dispozitivul de reazem utilizat. Aceasta va reduce riscul de lovire, strivire și alte modalități de vătămare.**

**Nu purtați mănuși sau îmbrăcăminte largă. Țineți mânecile și jachetele încheiate. Hainele largi se pot încălci în componentele rotative, cauzând rănire prin strivire.**

**Rezemați corect țeava. Aceasta va reduce riscul de cădere, strivire a țevii și a vătămarilor grave.**

**Nu utilizați o clupă electrică fără un întrerupător ON/OFF și un întrerupător glisant F/R care funcționează corect.**

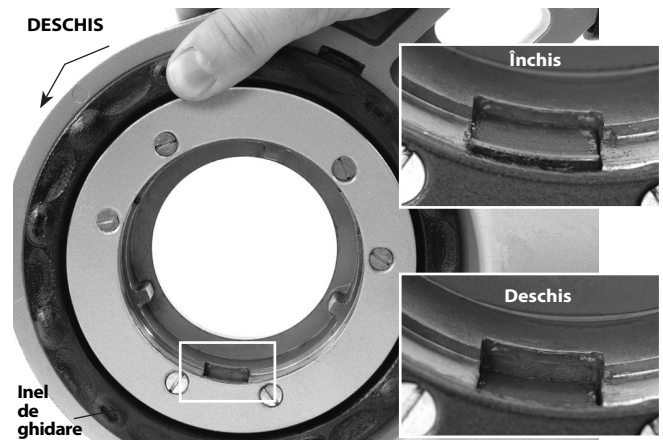
**Atât procesul de canelare, cât și întrerupătorul cu pedală trebuie controlate de o singură persoană. A nu se utiliza de mai multe persoane, simultan. În caz de încălzire, operatorul trebuie să aibă control asupra întrerupătorului cu pedală.**

- Controlați zona de lucru pentru:
  - Iluminare adecvată.
  - Lichide, vapori sau prafuri inflamabile. Dacă sunt prezente, nu lucrați în zonă până nu au fost identificate sursele și remediate. Clupele electrice nu sunt proiectate anti explozie și pot cauza scânteii.
  - Un loc curat, orizontal, stabil și uscat pentru întregul echipament și operator.
  - Bună ventilare. Nu utilizați în mod extensiv în zone mici, închise.
  - Priză de tensiune corectă, împământată corespunzător. Dacă aveți dubii, cereți unui electrician autorizat să verifice priza.
  - O cale liberă de acces la o priză, care nu conține nici o sursă potențială de deteriorare a cablului de alimentare.
- Verificați țeava de filetat și fittingurile corespondente pentru a confirma că este corectă clupa electrică pentru lucrarea respectivă. *Vezi specificații.* Nu folosiți pentru a fileta altceva decât semifabricate drepte.
 

Echipamente pentru alte aplicații pot fi găsite în catalogul de scule Ridge Tool catalog, online la RIDGID.com sau prin apelarea Ridge Tool Technical Service în SUA și Canada la (800) 519-3456.
- Asigurați-vă că echipamentul ce este folosit a fost corect verificat.
- Pregătiți țeava corect așa cum este necesar. Asigurați-vă că țeava este debitată perpendicular și debavurată. Taietura țevii în unghi poate deteriora filierele în timpul filetării sau să cauzeze dificultăți la angajarea capului de filetare.

## Montarea capetelor

- Montați capete filieră 1½" sau 2" sau adaptor în 690-I:
  - Asigurați-vă că întrerupătorul ON/OFF este eliberat și clupa electrică nu este conectată.
  - Rotiți anti orar inelul de ghidare pentru a deschide mecanismul de reținere. Introduceți complet capul filierei sau canelura adaptorului (dacă este necesar) în clupa electrică (Figura 7).
  - Eliberați inelul de ghidare și confirmați că adaptorul/capul filierei este fixat.
  - Pentru detașare efectuați procesul în sens invers.

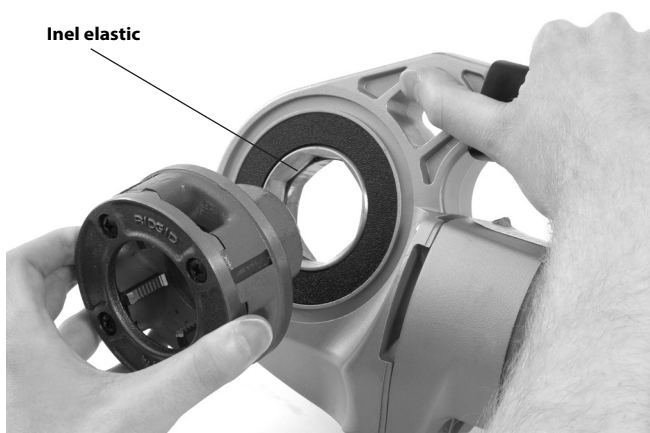


**Figura 7 – Mecanism de reținere, inel de antrenare în poziția Deschis/Închis**



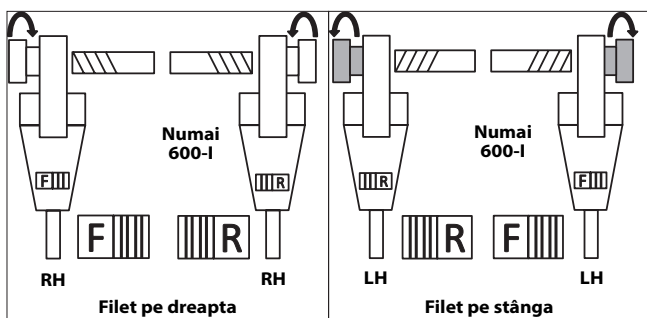
**Figura 8 – Montarea adaptorului în 690-I**

6. Montarea 1¼" și a capetelor filieră mai mici:
  - a. Asigurați-vă că întrerupătorul ON/OFF este eliberat și clupa electrică este decuplată din priză.
  - b. Dacă este necesar montați adaptorul în 690-I (Figura 8).
  - c. Introduceți perpendicular capătul octogonal al capului filierei 11-R în clupa electrică până când este fixat cu inelul elastic. Pe modelul 600-I, capul filieră poate fi introdus pe cealaltă parte a clupe electrice. La modelul 690-I, capetele filieră pot fi introduse doar de pe partea adaptorului.
  - d. Pentru detașare trageți capul filieră din clupa electrică. Dacă este necesar folosiți un ciocan de plastic sau un bloc de lemn pentru a extrage prin baterie capul filieră. Nu forțați capul filieră, în acest fel puteți deteriora scula.



**Figura 9 – Montarea capetelor filieră în clupa electrică 600-I**

7. Poziționați întrerupătorul glisant F/R al clupe electrice pentru direcția de filetare dreapta sau stânga dorită. Vezi figura 10.



**Figura 10 – Orientare întrerupător glisant/cap filieră**

8. Asigurați-vă că țeava de filetat este stabilă și asigurată pentru a preveni bascularea în timpul utilizării. Utilizați standuri de țeavă adecvate pentru a susține lungimea țevii.

9. Verificați nivelul uleiului de filetare RIDGID Thread Cutting Oil în gresorul RIDGID 418. Îndepărtați tava de șpan și vă asigurați că sita filtrului este curată și complet imersă în ulei. Dacă este necesar înlocuiți sau completați uleiul. Amplasați găleata gresorului 418 sub capătul țevii de filetat.

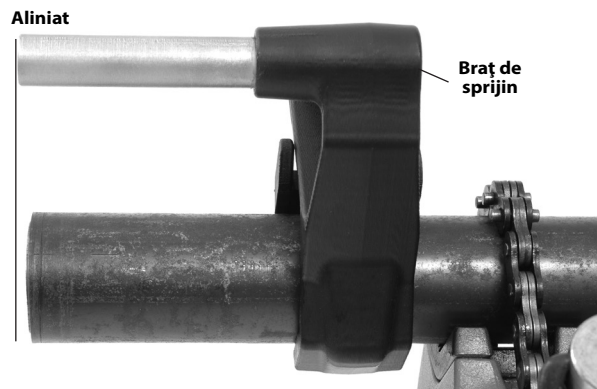
### Rezistența la forțele de filetare

Utilizarea brațului reazem livrat:

- a. Întotdeauna utilizați brațul reazem furnizat (braț reazem 601 sau 602 pentru 600-I, 691 sau braț reazem 692 pentru 690-I) cu excepția când nu poate fi utilizat datorită spațiului sau a altor constrângeri. Brațul de reazem se prinde de țeavă și ajută la rezistența față de forțele de filetare.
- b. Amplasați brațul de reazem pe țeavă astfel încât capătul brațului de reazem să se alinieze cu capătul țevii și partea superioară a brațului reazem să fie orizontală (Figura 11). În acest fel se așează corespunzător brațul suport pentru filetare și previne intrarea uleiului în motor. (Figura 12).
- c. Asigurați-vă că bacurile brațului suport sunt aliniate perpendicular și strângeți sigur brațul de reazem.



**Figura 11A – Poziționare braț reazem**



**Figura 11B – Poziționare braț reazem**



**Figura 12 – Orientarea corectă a clupe electrice**

Atunci când nu poate fi utilizat brațul de reazem:

Atunci când filetați țevi la locație sau alte aplicații similare s-ar putea ca brațul reazem să nu poată fi folosit datorită constrângerilor de spațiu.

- a. Dacă este posibil îndepărtați țeava și filetați-o prinsă într-o menghină. Dacă nu se poate realiza acest lucru, trebuie utilizate alte dispozitive de reazem pentru a susține rezistența la forțele de filetare, cum ar fi așezarea carcasei reductorului clupe electrice sau carcasa ventilatorului pe un element de rigidizare structurală (de exemplu pereți, grinzi sau bare). Aceasta necesită ca țeava și elementele adiacente să poată rezista la greutatea sculei și forțele de filetare. S-ar putea să fie necesar să adăugați temporar sau permanent reazeme pentru țeavă sau elemente de structură.
- b. Pentru filetări pe dreapta, capul filierei se va roti în sens orar (privind din față capul filierei). Forțele dezvoltate de momentul de filetare vor fi în direcția opusă sau sens antiorar. Rotirea și forța se vor inversa pentru filete pe stânga. Asigurați-vă că dispozitivul de reazem este pregătit pentru a prelua corect forța de filetare.
- c. Nu amplasați clupa electrică sau mânerul lângă elemente de structură adiacente pentru a opune rezistență forțelor de filetare deoarece aceasta poate cauza deteriorări clupe electrice.
- d. Mențineți clupa electrică față de elementele de structură și nu plasați degete sau mâini între clupa electrică și elementele de structură. Când îndepărtați capul filieră de filet, țineți ferm clupa electrică pentru a opune rezistență la forțele din ruperea șpanului de filetare. Acești pași vor reduce riscul de lovire, strivire și alte vătămări. Întrerupătorul ON/OFF poate fi eliberat în orice moment pentru a opri OFF clupa electrică.

Întotdeauna țineți ferm acționarea electrică atunci când filetați sau retrageți capul-filieră de pe țeavă pentru a rezista la forțe, indiferent de dispozitivul de reazem utilizat. Aceasta va reduce riscul de lovire, strivire și alte modalități de vătămare. Întrerupătorul ON/OFF (pornit/oprit) poate fi eliberat în orice moment pentru a opri acționarea electrică.

## Filetare

10. Conectați la rețea clupa electrică având mâinile uscate.
11. Poziționați capul filieră deasupra capătului țevii și reze-mați clupa electrică așa cum se indică în *Secțiunea Rezistența la forțele de filetare*.



**Figura 13 – Pornire filetare**

12. Acționați simultan întrerupătorul ON/OFF și împingeți în placa de acoperire a capului filieră cu palma mâinii libere pentru a porni filetarea. Nu purtați mănuși, bijuterii sau utilizați o lavetă în timp ce împingeți pe placa de acoperire – aceasta crește riscul de prindere și vătămare. Odată ce cuțitele filierei se angajează în țeavă, filetele sunt tăiate pe măsură ce filierele se trag spre capătul țevii.  
Întotdeauna țineți ferm mânerul clupe electrice pentru a rezista la forțele de manevrare. Dispozitivele de reazem pot aluneca și astfel permite clupe electrice să se deplaseze. Întrerupătorul ON/OFF poate fi eliberat în orice moment pentru a opri clupa electrică.
13. Oprii împingerea în placa de acoperire și utilizați unghetorul pentru a aplica o cantitate consistentă de ulei pentru filetare RIDGID Thread Cutting Oil pe suprafața care urmează a fi filetată. Aceasta va scădea momentul de filetare, va îmbunătăți calitatea filetării și crește durata de viață a filierei.



**Figura 14 – Țeavă de filetat**

14. Apăsați întrerupătorul ON/OFF până când capătul țevii este la nivel cu marginea filierei și eliberați întrerupătorul. Lăsați clupa electrică să ajungă la o oprire completă.



**Figura 15 – Țeava la nivel cu marginea filierelor**

15. Inversați întrerupătorul glisant F/R (înainte/înapoi) și acționați întrerupătorul ON/OFF (pornit/oprit) pentru a îndepărta capul filieră de pe țeava filetată. Țineți ferm de mânerul clupe electrice pentru a opune rezistență la forțele dezvoltate la îndepărtarea capului filieră.

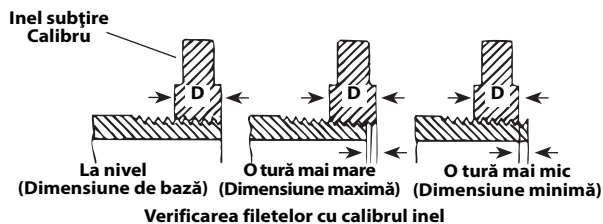
**NOTĂ** Modificați poziția întrerupătorului glisant F/R numai când întrerupătorul ON/OFF este deconectat. Lăsați clupa electrică să se oprească complet înainte de a inversa direcția cu întrerupătorul glisant F/R. Aceasta va reduce riscul de deteriorare a clupe electrice.

16. Deconectați întrerupătorul și detașați clupa și capul filieră de pe țeavă.
17. Decuplați clupa electrică cu mâinile uscate.

18. Ștergeți uleiul și reziduurile de la filetare din capul filierei, având grijă să nu vă tăiați în resturile ascuțite sau canturi. Curățați orice picătură de ulei vărsată în zona de lucru.

## Inspectarea filetelor

1. Îndepărtați orice rest de ulei, șpan sau reziduuri de pe filet.
2. Verificați vizual filetul. Filetele trebuie să fie netede și complete cu o formă bună. Dacă apar probleme cum ar fi ruperea spirei filetului, spire subțiri sau necircularitate a țevii, este posibil ca filetul să nu etanșeze când este asamblat. Consultați diagrama "Depanarea" pentru ajutor în diagnosticarea acestor situații.
3. Verificați dimensiunea filetului. Metoda preferată a verificării dimensiunii filetului este un calibrul inelar. Există diferite tipuri de calibre inelare și utilizarea lor poate diferi față de ce este arătat în Figura 16.
  - Înșurubați calibrul inel pe filet prin strângere manuală.
  - Vedeți cât iese capătul țevii filetate prin calibrul inel. Capătul țevii trebuie să fie la nivel cu suprafața laterală a calibrului plus sau minus o tură. Dacă filetul nu corespunde cu calibrul, debitați filetul, ajustați capul filieră și tăiați un nou filet. Utilizarea unui filet care nu corespunde toleranțelor corecte poate cauza scurgeri.



**Figura 16 – Verificare dimensiune filet**

- Dacă nu este disponibil un calibrul inel pentru a verifica dimensiunea filetului, este posibil să utilizați un fitting curat nou reprezentativ pentru cele care sunt folosite la lucrare pentru calibrarea dimensiunii filetului. Pentru filete 2" sub standard NPT, filetele trebuie astfel tăiate încât să se obțină 4 până la 5 ture de angajare prin strângere manuală cu fittingul, iar pentru filetele 2" sub standard BSPT trebuie să fie 3 ture.

## Instrucțiuni de întreținere

### ⚠ AVERTIZARE

**Asigurați-vă că întrerupătorul ON/OFF este în poziția OFF și că dispozitivul este debransat înainte de a efectua orice activități de întreținere sau de a face reglaje.**

**Păstrați unealta conform acestor proceduri pentru a reduce riscul de vătămări de electrocutare, prinderi sau alte cauze.**



## Curățarea

1. După fiecare utilizare goliți șpanul de filetare din tava gresorului 418 și ștergeți orice reziduu de ulei.
2. Ștergeți orice reziduu de ulei, vaselină, șpan sau impurități de pe clupa electrică inclusiv mânăre și comenzi. Curățați mecanismul de reținere 690-I.
3. Ștergeți orice reziduu de ulei, vaselină sau impuritate de pe brațul de reazem. Dacă este necesar curățați bacurile brațului de reazem cu o perie de sârmă.
4. Îndepărtați șpanul și murdăria de pe capetele filierei.

## Schimbarea cuțitelor filieră în capetele filieră 11-R

O varietate de filiere este disponibilă pentru montare în capetele filieră RIDGID 11-R. Vezi în catalog pentru disponibilitate.

1. Detașați cele patru șuruburi (4) de pe acoperire (2) și îndepărtați placa de acoperire.
2. Îndepărtați filierele vechi (3) de pe capul filieră.
3. Introduceți cuțite filieră noi în fante – numerotate spre margine. Numerele de pe cuțitele filieră trebuie să corespundă cu cele de pe fantele capului filieră. Întotdeauna înlocuiți setul complet de filiere.

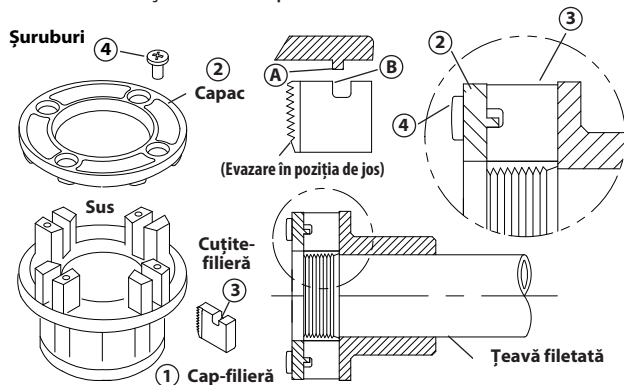


Figura 17 – Montarea cuțitelor filieră în capul filieră

4. Înlocuiți placa de acoperire și strângeți ușor cele patru șuruburi.
5. Așezați capul pe țeava deja filetată până când cuțitele filieră încep să așchieze. Aceste forțe opresc cuțitele filieră (4) spre exterior în bosajele (4) de pe placa de acoperire și setați corect dimensiunea.
6. Strângeți sigur cele patru șuruburi. Îndepărtați țeava filetată și executați o așchiere de testare.

## Înlocuirea periilor în motor

Verificați periile motorului la fiecare 6 luni. Înlocuiți când sunt uzate la mai puțin de 5/16" (8 mm).

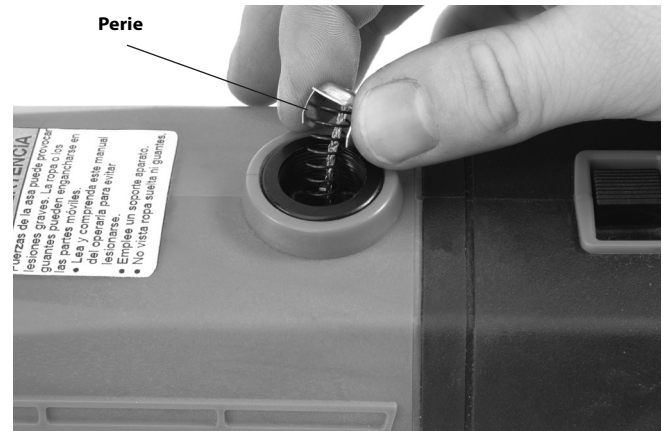


Figura 18 – Montare perii

1. Deconectați mașina de la sursa de putere.
2. Deșurubați capacele periilor (Figurile 1 și 2). Detașați și verificați periile. Înlocuiți când sunt uzate la mai puțin de 5/16" (8 mm). Inspectați comutatorul pentru uzură. Dacă este uzat excesiv, trimiteți dispozitivul la reparat.
3. Montați din nou periile/montați perii noi și strângeți sigur capacele periilor.
4. Reprezintă o bună practică de a lăsa să funcționeze în gol echipamentul timp de 15 minute în direcția înainte urmat de 15 minute în direcția înapoi pentru a roda periile la colectorul rotorului înainte de utilizare.

## Accesorii

### ⚠️ AVERTIZARE

Pentru a reduce riscul de vătămări grave, utilizați numai accesoriile proiectate special și recomandate pentru utilizare cu clupele electrice 600-I și 690-I Power Drives așa cum sunt listate mai jos. Alte accesorii adecvate pentru utilizare cu alte unelte pot fi periculoase atunci când sunt folosite cu clupele electrice 600-I și 690-I Power Drives.

## Accesorii clupe electrice 600-I și 690-I

Nr. catalog	Denumire tip
45923	602 Braț reazem
45928	692 Braț reazem
46668	600-I Cutie de transport
46673	690-I Cutie de transport
10883	418 Ungător cu 1 galon (3,8 litri) ulei Nu-Clear
16703	Menghină 425 1/8" - 2 1/2" TRISTAND
36273	Menghină 460-6 1/8" - 6" TRISTAND
45543	Perii 115V
45588	Perii 230V

Mai multe informații referitoare la accesoriile specifice uneltei pot fi găsite în catalogul RIDGID și online la RIDGID.com

## Depozitarea mașinii

**⚠️ AVERTIZARE** Clupele electrice Power Drive trebuie să fie depozitate în interior sau bine acoperite atunci când vremea este ploioasă. Păstrați mașina într-o zonă închisă, ferită de accesul copiilor și al persoanelor nefamiliarizate cu mașinile. Acest dispozitiv poate cauza răniri grave, în mâinile utilizatorilor neinstruiți.

## Service și reparare

### ⚠️ AVERTIZARE

**Lucrările de service sau de reparații necorespunzătoare pot face ca mașina să nu mai funcționeze în condiții de siguranță.**

„Instrucțiunile de întreținere” vor aborda majoritatea cerințelor de operare ale acestei mașini. Orice problemă care nu este abordată în acest capitol trebuie încredințată numai unui tehnician de service autorizat RIDGID.

Mașina-unealtă trebuie dusă la un Centru de service independent autorizat RIDGID sau returnată la fabrică. Folosiți numai piese de schimb RIDGID.

Pentru informații privind cel mai apropiat centru de service independent autorizat RIDGID sau pentru orice întrebări referitoare la lucrările de service sau reparații:

- Contactați distribuitorul local RIDGID.
- Vizitați RIDGID.com pentru a găsi punctul local de contact RIDGID.
- Contactați Ridge Tool Technical Service Department at [rtctechservices@emerson.com](mailto:rtctechservices@emerson.com) sau în SUA și Canada apelați (800) 519-3456.

## Ulei pentru filetare

Pentru informații referitoare la utilizarea și manevrarea uleiului de filetat RIDGID® Thread Cutting Oil, consultați etichetele de pe recipient și fișele tehnice de material și siguranța (MSDS). MSDS este disponibil la RIDGID.com sau prin contactarea departamentului de service tehnic Ridge Tool Technical Service Department la (800) 519-3456 pentru SUA și Canada sau [rtctechservices@emerson.com](mailto:rtctechservices@emerson.com).

## Dezafectarea

Piese componente ale clupe electrice conțin materiale valoroase și pot fi reciclate. Există companii specializate în reciclare care pot avea reprezentanțe locale. Dezafectați componentele în conformitate cu toate reglementările în vigoare. Pentru informații suplimentare contactați autoritățile locale de gestionare a deșeurilor.



**Pentru statele CE:** Nu dezafectați echipamentele electrice împreună cu deșeurile menajere!

În conformitate cu Directiva Europeană 2012/19 - UE privind deșeurile de echipamente electrice și electronice, și implementarea acesteia în legislația națională, echipamentele electrice care nu mai pot fi folosite trebuie colectate și reciclate într-un mod nepoluant.

## Depanare

SIMPTOM	MOTIVE POSIBILE	REZOLVARE
<b>Mașina nu funcționează.</b>	Periile nu ating rotorul.	Verificați periile, înlocuiți-le dacă sunt uzate.
<b>Mașina nu este capabilă să fileteze.</b>	Filieri tocite. Suprasolicitare datorită filetelor deformată sau necirculare. Ulei de filetare de calitate slabă sau insuficient. Tensiunea de rețea insuficientă.	Înlocuiți filierele. Vezi mai jos posibilele cauze.  Utilizați ulei de filetare RIDGID® Thread Cutting Oil în cantitate adecvată. Verificați tensiunea de alimentare.
<b>Se formează scântei la colectorul motorului.</b>	Contact insuficient între perii și colector.  Periile nu ating corect colectorul rotorului. Perii de diferite fabricații. Perii noi.	Strângeți capacele periilor pentru a asigura că periile sunt presate sigur pe colectorul rotorului. Înlocuiți periile uzate și sau rotorul.  Utilizați doar perii RIDGID®. Rodați periile prin funcționarea echipamentului în gol timp de 15 minute înainte și înapoi.
<b>Capul filieră nu începe să fileteze.</b>	Capul filieră nu este perpendicular pe capătul țevii. Nu este aplicată corespunzător forța de angajare pe capul filieră. Capătul țevii nu este debitat perpendicular. Filiere boante sau rupte. Mașina funcționează în direcția greșită.  Set de filiere necorespunzător în capul filieră.	Apăsați placa de acoperire a capului filieră pentru a începe filetarea. Aplicați forța de angajare prin axa centrală a țevii. Debitați capătul țevii perpendicular. Înlocuiți filierele. Verificați poziția întrerupătorului glisant F/R (înainte/înapoi). Aveți grijă ca pieptenii de filetare să fie așezați în afară spre bosajele plăcii de acoperire.
<b>Filete deformat.</b>	Filiere deteriorate, ciobite sau uzate. Ulei de filetare inadecvat sau insuficient.  Tip incorect de filieră pentru material.  Calitate/material slab de țeavă.	Înlocuiți filierele. Utilizați numai ulei de filetare RIDGID® în cantitate adecvată. Selectați filiere din oțel rapid, inoxidabil sau aliaj care sunt adecvate pentru aplicație. Utilizați țevi de calitate mai ridicată.
<b>Filete necirculare sau strivite.</b>	Grosimea peretelui țevii prea subțire.	Utilizați țevi cu grosimea peretelui conform specificației 40 sau pereți mai groși.
<b>Dispozitivul de reazem se rotește în timpul filetării.</b>	Bacurile brațului de reazem murdare. Brațul de reazem nu este aliniat corect.  Brațul de reazem nu este strâns.	Curățați cu peria de sârmă. Aliniați brațul de reazem vertical față de țeavă. Strângeți șurubul de avans.
<b>Filete subțiri.</b>	Filierele nu sunt poziționate corect.	Așezați cuțitele filieră în fantele corespunzătoare ale capului.



# Motoros hajtóegységek

## 600-I/690-I



### **⚠ VIGYÁZAT!**

A berendezés használata előtt figyelmesen olvassa el ezt az útmutatót. A figyelmeztetések és utasítások meg nem értése és be nem tartása áramütést, tüzet és/vagy súlyos sérülést okozhat.

#### 600-I/690-I motoros hajtóegységek

Az alábbi helyen jegyezze fel és őrizze meg a sorozatszámot, melyet a termék adattábláján talál meg.

Sorozat-  
sz.

--	--

## Tartalomjegyzék

<b>A berendezés sorozatszámának rögzítésére szolgáló rész</b> .....	243
<b>Biztonsági szimbólumok</b> .....	245
<b>A szerszámgépekre vonatkozó általános biztonsági figyelmeztetések</b> .....	245
A munkaterület biztonsága.....	245
Elektromos biztonság.....	245
Személyes biztonság .....	246
A szerszámgép használata és karbantartása .....	246
Szerviz.....	247
<b>Különleges biztonsági információk</b> .....	247
A motoros hajtóegység biztonsága.....	247
<b>Leírás, műszaki adatok és általános felszerelés</b> .....	247
Magyarázat.....	247
Standard változat.....	248
Műszaki adatok.....	249
<b>Szemrevételezés a használat előtt</b> .....	249
<b>Beállítás és üzemeltetés</b> .....	250
Menetvágó fejek felszerelése.....	251
Menetvágási erők ellentartása .....	252
Menetvágás .....	253
Menetek ellenőrzése .....	254
<b>Karbantartási útmutató</b> .....	255
Tisztítás.....	255
11-R menetvágó fejek menetvágóinak cseréje.....	255
Kefék cseréje a motorban .....	255
<b>Tartozékok</b> .....	256
A 600-I és 690-I motoros hajtóegység tartozékai .....	256
<b>A gép tárolása</b> .....	256
<b>Szerviz és javítás</b> .....	256
<b>Menetvágó olaj</b> .....	257
<b>Ártalmatlanítás</b> .....	257
<b>Hibaelhárítás</b> .....	258
<b>EK megfelelőségi nyilatkozat</b> .....	Hátsó borító belseje
<b>Élettartam-jótállás</b> .....	Hátsó borítás

\* Eredeti használati utasítás fordítása

## Biztonsági szimbólumok

A jelen kezelési útmutatóban ésmagán a terméken biztonsági szimbólumok és jelzőszavak láthatók, melyek fontos biztonsági információkat közölnek. A jelen fejezet célja, hogy elősegítse jelzőszavak és szimbólumok értelmezését.



Ez a biztonsági figyelmeztető szimbólum. A szimbólum a lehetséges személyi sérülés kockázatára hívja fel a figyelmet. Az esetleges sérülések vagy halál elkerülésének érdekében tartsa be a szimbólumot követő biztonsági üzeneteket.

### ⚠ VESZÉLY

A VESZÉLY szó olyan kockázatos helyzetet jelöl, melyet ha nem kerülnek el, halállal vagy komoly sérülésekkel jár.

### ⚠ FIGYELMEZTETÉS

A FIGYELMEZTETÉS szó olyan kockázatos helyzetet jelöl, melyet ha nem kerülnek el, halállal, vagy komoly sérülésekkel járhat.

### ⚠ VIGYÁZAT

A VIGYÁZAT szó olyan kockázatos helyzetet jelöl, mely kisebb, mérsékelt sérülésekkel járhat.

### MEGJEGYZÉS

A MEGJEGYZÉS szó a vagyontárgyak védelmével kapcsolatos információkat jelöli.



Ez a szimbólum azt jelenti, hogy figyelmesen olvassa el az üzemeltetési útmutatót a készülék használata előtt. A kezelési útmutató fontos információkat tartalmaz a készülék biztonságos és megfelelő használatával kapcsolatban.



Ez a szimbólum azt jelenti, hogy a szemsérülések elkerülésének érdekében mindig viseljen oldalárnyékolóval ellátott védőszemüveget vagy szemvédőt, amikor kezeli vagy használja a készüléket.



E szimbólum arra figyelmeztet, hogy a fogaskerekek és egyéb forgó részek becsíphetik az ujjakat, kezeket, ruházatot és egyebeket, és zúzószerű sérülést okozhatnak.



Ez a szimbólum elektromos áramütés kockázatát jelöli.



Ez a szimbólum a gép felborulásának veszélyét jelzi, ami ütési vagy zúzódási sérülést okozhat.



Ez a szimbólum azt jelzi, hogy a gép működtetése során ne viseljen kesztyűt, csökkentendő a beakadás veszélyét.



E szimbólum azt jelzi, hogy a menetvágási erők ellentartására, az uralom megőrzése érdekében, ill. az ütési, zúzószerű és/vagy egyéb sérülések megelőzésére kitémasztó eszközt kell alkalmazni.

## A szerszámgépekre vonatkozó általános biztonsági figyelmeztetések\*

### ⚠ FIGYELMEZTETÉS

**A szerszámgéphez tartozó összes biztonsági figyelmeztetést, útmutatót, ábrát és előírást el kell olvasni. Az alábbi útmutató figyelmen kívül hagyása áramütést, tüzet és/vagy súlyos sérülést eredményezhet.**

### MINDEN FIGYELMEZTETÉST ÉS UTASÍTÁST ŐRIZZEN MEG A KÉSŐBBIEKRE!

A figyelmeztetésekben a „szerszámgép” kifejezés az Ön hálózati áramforrásról működő (vezetékes) vagy akkumulátoros működésű (vezeték nélküli) szerszámgépére vonatkozik.

### A munkaterület biztonsága

- **A munkahelyet tartsa tisztán, és biztosítsa a jó megvilágítást.** A zsúfolt vagy sötét helyek vonzzák a baleseteket.

- **Ne működtesse a szerszámgépeket robbanásveszélyes környezetben, például gyúlékony folyadékok, gázok vagy por jelenlétében.** A szerszámgépek szikrái begyűjthetik a porokat és gőzöket.

- **A szerszámgép működtetése során tartsa távol a gyermekeket és az ott tartózkodókat.** Figyelmének elvonása esetén elvesztheti ellenőrzését a készülék fölött.

### Elektromos biztonság

- **A szerszámgép dugaszának illeszkednie kell az aljzatba. Semmilyen módon ne módosítsa a dugaszt. Földelt szerszámgéppel ne használjon csatlakozóadaptert.** Módosítatlan dugasz és megfelelő aljzat csökkenti az áramütés kockázatát.
- **Kerülje az érintkezést földelt felületekkel (pl. cső, fűtőtű, tűzhely, hűtő stb.).** Nagyobb a veszélye az áramütésnek, ha a teste le van földelve.
- **Óvja a szerszámgépeket az eső vagy nedvesség hatásától.** A gépbe jutó víz növeli az áramütés kockázatát.

\* A jelen kézikönyv Szerszámgépekre vonatkozó általános biztonsági figyelmeztetések c. fejezetében leírt szöveg az előírásoknak megfelelően az UL/CSA 62841 kiadású szabvány szó szerinti kivonata. E fejezet számos különböző típusú szerszámgéphez tartalmaz általános biztonsági gyakorlatokat. Nem mindegyik óvintézkedés vonatkozik mindegyik szerszámra; egyes leírt óvintézkedések esetleg erre a szerszámra nem vonatkoznak.

- **A csatlakozózsínort kíméletesen használja. Soha ne hordozza, húzza vagy áramtalanítsa a szerszámgépet a zsínort fogva, illetve húzva. Óvja a zsínort a melegtől, olajtól, élektől és mozgó alkatrészekről.** A kábel sérülése vagy összegabalyodása növeli az áramütés kockázatát.
- **Ha a szerszámgépet a szabadban használja, kültéri használatra szolgáló hosszabbítózsínort alkalmazzon.** A kültéri használatra engedélyezett hosszabbító használata csökkenti az áramütés veszélyét.
- **Ha a szerszámgépet feltétlenül nedves helyen kell használni, hibaáram-védőkapcsolóval (GFCI) védett tápot alkalmazzon.** A megszakító használatával csökkenthető az áramütés kockázata.

## Személyes biztonság

- **Legyen elővigyázatos, figyeljen oda a munkára, és megfontoltan használja a szerszámgépet. Ne használja a gépet fáradtan, illetve gyógyszer, alkohol vagy kábítószer hatása alatt.** A szerszámgépek működése során egy pillanatnyi figyelmetlenség is súlyos személyi sérülést okozhat.
- **Használjon személyi védőfelszerelést. Mindig viseljen szemvédőt.** A körülményeknek megfelelő védőfelszerelés, például porszűrő maszk, csúszásmentes biztonsági lábbeli, védősisak vagy fülvédő használatával csökkenthető a személyi sérülés kockázata.
- **Akadályozza meg a véletlen beindítást. Áramforrás/akkumulátor csatlakoztatása, illetve a szerszám felemelése vagy elvitele előtt gondoskodjon róla, hogy a kapcsoló kikapcsolt állásban legyen.** Ha a szerszámgépet ujját a kapcsolón tartva hordozza, illetve ha úgy helyezni áram alá, hogy bekapcsolt állásban van a kapcsolója, az könnyen balesethez vezethet.
- **A szerszámgép bekapcsolása előtt távolítson el minden beállítókulcsot.** Ha a szerszámgép egy forgó alkatrészén rajta marad egy kulcs, az személyi sérüléshez vezethet.
- **Ne végezzen munkát veszélyesen kinyújtózott helyzetben. Mindig stabilan álljon, és ügyeljen az egyensúlyára.** Így váratlan helyzetben könnyebben megőrizheti uralmát a szerszámgép fölött.
- **Legyen megfelelő az öltözéke. Ne viseljen laza ruhát vagy ékszert. Tartsa távol a mozgó alkatrészekről a haját, ruháját és kesztyűjét.** A laza ruházatot, ékszereket vagy hosszú hajat bekaphatják a mozgó alkatrészek.
- **Ha csatlakoztathatók porelszívó és -gyűjtő berendezések, akkor gondoskodjon ezek megfelelő csatlakoztatásáról és használatáról.** Porgyűjtés alkalmazásával csökkenthető a porral kapcsolatos veszélyek.
- **Ne hagyja, hogy a gyakori szerszámhasználat adta tájékozottság elbizakodottságra, ill. a szerszámok biztonsági elveinek figyelmen kívül hagyására adjon okot.** Az óvatlanság miatt a másodperc törtrésze alatt súlyos személyi sérülés keletkezhet

## A szerszámgép használata és karbantartása

- **Ne erőltesse túl a szerszámgépet. Mindig az alkalmazásnak megfelelő készüléket használjon.** A megfelelő szerszámgéppel jobban, biztonságosabban végezhető el a munka, és a készülék a tervezett sebességgel fog működni.
- **Ne használja a szerszámgépet, ha azt a kapcsolóval nem lehet be- vagy kikapcsolni.** A kapcsoló segítségével nem vezérelhető készülék veszélyes, és javítást igényel.
- **Mielőtt bármilyen beállítást végezne, kiegészítőt cserélne, vagy eltenné a szerszámgépet, húzza ki annak dugaszát az elektromos aljzatból, illetve válassza le róla az akkumulátort (ha az leválasztható).** Az ilyen megelőző biztonsági intézkedésekkel csökkenthető a szerszámgép véletlen beindításának veszélye.
- **A leállított szerszámgépet gyermekek elől elzárt helyen tartsa. Ne engedje, hogy olyan személy használja a gépet, aki nem ismeri jól azt vagy a jelen útmutatót.** Gyakorlatlan felhasználó kezében a szerszámgépek veszélyesebbek lehetnek.
- **Tartsa karban a szerszámgépeket és tartozékaikat. Ellenőrizze, jól igazodnak-e a mozgó alkatrészek, semmi sem akadályozza-e a mozgásukat, nincsenek-e eltörve az egyes alkatrészek, és ellenőrizzen minden olyan további körülményt, amely befolyásolhatja a szerszámgép működését.** A sérült szerszámgépet javíttassa meg, mielőtt használná. Sok baleset a nem megfelelően karbantartott szerszámgépek okoznak.
- **A vágóeszközöket tartsa élesen és tisztán.** A megfelelően karbantartott, éles vágóélű vágóeszközök kisebb valószínűséggel akadnak el, és könnyebb velük dolgozni.
- **A szerszámgépet, a kiegészítőket, a betétkéseket stb. a jelen használati útmutatónak megfelelően használja, figyelembe véve a munkakörülményeket és az elvégzendő munka jellegét.** A szerszámgép a tervezettől eltérő alkalmazása veszélyes helyzetet eredményezhet.
- **A fogantyúkat tartsa szárazon, tisztán, valamint olaj- és zsírmentesen.** Ha a fogantyúk, ill. a megfogófelületek csúszósak, akkor a használat nem lehet biztonságos, és váratlan helyzetekben megszűnhet a szerszám feletti uralom.



## Szerviz

- **A szerszám gép javítását bízza képzett javító szakemberre, akinek az eredetivel azonos cserealkatrészeket kell használnia.** Ezzel biztosítható a szerszám gép biztonságának fenntartása.

## Különleges biztonsági információk

### ▲ FIGYELMEZTETÉS

**Ez a rész kizárólag a jelen szerszám gépre vonatkozó biztonsági információkat tartalmaz.**

**Az áramütés és a súlyos sérülések kockázatának csökkentése érdekében olvassa el az óvintézkedéseket a motoros hajtóegységek használata előtt.**

### ŐRIZZE MEG EZT AZ ÚTMUTATÓT!

Az útmutatót a berendezéssel együtt tárolja és szállítsa, hogy az mindig elérhető legyen a kezelő számára.

## A motoros hajtóegység biztonsága

- **Mindig használja a szerszámhoz mellékelt támasztó eszközt.** Ha működés közben kicsúszik a kezéből az irányítás, az személyi sérülést okozhat.
- **A szerszám használata közben tartsa begombolva öltözékét és annak ujjait: Ne nyúljon át a szerszámon vagy a csövön.** A ruházatot ugyanis ekkor a cső vagy a szerszám becsípheti.
- **A munkafolyamat irányítását és a szerszám működtetését kizárólag egy ember felügyelheti.** Amennyiben több ember vesz részt a folyamatban, az véletlenszerű működtetéshez és személyi sérüléshez vezethet.
- **A padló mindig legyen száraz, és csúszós anyagoktól, például olajtól mentes.** A csúszós padló vonzza a bal eseteket.
- **A szerszám működtetés közben ne viseljen kesztyűt. Ne nyúljon át a szerszámon vagy a csövön.** A kesztyűt a cső vagy a szerszám becsípheti.
- **Menetvágáskor, ill. a menetvágó fej csőről való eltávolításakor a kitámasztó eszköz használatától függetlenül mindig erősen tartsa a motoros hajtóegységet, ellentartva a menetvágási erőknek.** Ezzel csökkenthető az ütéses, zúzások és/vagy egyéb sérülések veszélye.
- **A jelen gép biztonságos használatára vonatkozó útmutatásokat be kell tartani. Ne használja egyéb célokra pl: furatok elkészítésére vagy csőről forgatására.** Az ettől eltérő használat vagy a gép más alkalmazáshoz való módosítása fokozhatja a súlyos sérülés kockázatát.

- **Ne használja a motoros hajtóegységet, ha az ON/OFF (BE/KI) kapcsoló hibás.** E kapcsoló biztonsági eszköz, mellyel – a kapcsoló elengedésével – a motor leállítható.
- **Tompa, ill. sérült menetvágót használni tilos.** Az éles vágószerszámok kisebb nyomtatékat igényelnek, és velük a motoros hajtóegység irányítása is könnyebb.
- **A fogantyúkat tartsa szárazon, tisztán, valamint olaj- és zsírmentesen.** Így jobban kezelheti a gépet.
- **A RIDGID motoros hajtóegységgel kizárólag RIDGID menetvágókat szabad használni.** Más menetvágó fejek esetlegesen nem illeszkednek megfelelően a motoros hajtóegységhez, ez pedig fokozhatja a berendezés károsodásának, ill. a személyi sérülés kockázatát.

Ha kérdései vannak ezzel a RIDGID® termékkel kapcsolatban:

- Lépjen kapcsolatba a helyi RIDGID-forgalmazóval.
- Látogasson el a RIDGID.com címre, és keresse meg az Ön esetében illetékes RIDGID kapcsolattartási pontot.
- Forduljon a Ridge Tool műszaki szervizrészlegéhez a következő elérhetőségen: [rttechservices@emerson.com](mailto:rttechservices@emerson.com), ill. az USA-ban és Kanadában a következő számon: (800) 519-3456.

## Leírás, műszaki adatok és általános felszerelés

### Magyarázat

A RIDGID® 600-I és 690-I típusú motoros hajtóegységei csővekre és vezetékcsatornákra történő menetvágáshoz meghajtást szolgáltató, kettős szigetelésű hajtóegységek. Egy csúszókapcsoló segítségével előre- és hátrameneti forgásirány választható ki. A főkapcsoló funkcióját kétlépéses kontakt-pillanatkapcsoló látja el.

A 600-I hajtóegység a RIDGID 11-R csuklós fejű menetvágó fejeivel (1/8" – 1/4" méretű cső) való használatra készült. A 690-I hajtóegység a RIDGID 11-R (1/8" – 2" méretű cső) csuklós fejű menetvágó fejeivel való használatra készült. Ha a 690-I motoros hajtóegységet 1/8" – 1/4" méretű csövekhez kívánják használni, ahhoz adapter szükséges. Az adaptert és a 1/2" – 2" méretű csöveket a 690-I hajtóegységben rögzítőmechanizmus tartja meg.



1. ábra – 600-I típusú motoros hajtóegység



2. ábra – 690-I típusú motoros hajtóegység



3. ábra – 602/692 kitámasztó karok

A 600-I és 690-I motoros hajtóegységek sorozatszámát tartalmazó tábla a motor házának alsó részén található. A sorozatszám utolsó 4 számjegye a gyártás hónapját és évét jelzi (HHÉÉ).

<b>RIDGID</b>			
Ridge Tool Company, Elyria, Ohio, U.S.A.			
Model No.	600-I	~	50 / 60 Hz
V	230	A	5
Capacity	1/8" - 1 1/4"		n <sub>0</sub> 32 /min
Serial No.			

4. ábra – A gép sorozatszáma

### Standard változat

A 600-I/690-I típusú motoros hajtóegységek szállítási terjedelme a következő:

- Motoros hajtóegység
- 690-I adapter (csak a 690-I esetén)
- Üzemeltetői útmutató

**MEGJEGYZÉS** A megfelelő anyagok és telepítési, csatlakoztatási és alakadási módszerek megválasztása a rendszer tervezőjének és/vagy telepítőjének felelőssége. A nem megfelelően megválasztott anyagok vagy módszerek rendszerhibát okozhatnak.

A rozsdamentes acél és más korrózióálló anyagok a telepítés, csatlakoztatás és alakadás során szennyeződhetnek. Ez a szennyeződés korróziót okozhat, ami idő előtti meghibásodáshoz vezethet. Minden telepítési munkát megkísérlése előtt gondosan elemezni kell az adott üzemi feltételekhez megfelelő anyagokat és módszereket, beleértve a vegyszereket és a hőmérsékletet is.

## Műszaki adatok

Paraméter	600-I motoros hajtóegység	690-I motoros hajtóegység
Csőmenetvágási kapacitás	1/8 – 1/4 coll (3 – 32 mm)	1/8 – 2 coll (3 – 50 mm)
Menetvágófej rögzítése	Rugós gyűrűvel	Rögzítőmechanizmus (1 1/2 – 2 coll) Rugós gyűrű (1/8 – 1/4 coll)
Balmenet készítése	Igen	Igen
Kitámasztó kar	Sz. 602, Sz. 601	Sz. 692, Sz. 691
Adapter	Nem szükséges.	1/8" – 1/4" menetvágó fejekkel használatos.
Motor típusa	Univerzális motor, egyfázisú	Univerzális motor, egyfázisú
Teljesítmény, W	1270 (120V), 1020 (220-240V)	1270 (120V), 1020 (220-240V)
Elérhető feszültség/fázis	120V/1-f., 220-240V/1-f.	120V/1-f., 220-240V/1-f.
Áramerősség	12A (120V), 5A (220-240V)	12A (120V), 5A (220-240V)
Üzemi fordulatszám (ford./perc)	36 (120V), 32 (220-240V)	36 (120V), 32 (220-240V)
Kezelőszervek	Forgásirányváltó csúszókapcsoló Kétlépéses kontakt-pillanatkapcsoló, mint főkapcsoló	Forgásirányváltó csúszókapcsoló Kétlépéses kontakt-pillanatkapcsoló, mint főkapcsoló
Meghajtó fej	Nyomásos öntéses alumínium, állandó zsírzással	Nyomásos öntéses alumínium, állandó zsírzással
Hosszúság	20 hüvelyk (508 mm)	24,13 hüvelyk (613 mm)
Szélesség	3,75 hüvelyk (95 mm)	4,75 hüvelyk (121 mm)
Magasság	7,5 hüvelyk (191 mm)	8 hüvelyk (203 mm)
Tömeg	12,65 lbs (5,7 kg)	21,15 lbs (9,6 kg)
Hangnyomás (L <sub>PA</sub> )*	83 dB(A), K=3	83 dB(A), K=3
Hangteljesítmény (L <sub>WA</sub> )*	94 dB(A), K=3	94 dB(A), K=3
Rezgés*	<2,5 m/s <sup>2</sup> , K=1,5	<2,5 m/s <sup>2</sup> , K=1,5

\* A hang- és rezgésmérések az IEC62841-1 szabvány szerinti szabványosított vizsgálatnak megfelelően történtek.

- A rezgésszintek az egyéb szerszámokkal történő összehasonlításra, valamint az expozíció előzetes felmérésére alkalmazhatók.

- A hang- és rezgés kibocsátás az Ön elhelyezkedésétől, valamint a szerszámok konkrét felhasználásától függően változó lehet.

- Mindegyik alkalmazáshoz külön kell kiértékelni a napi zaj- és rezgés expozíciós szinteket, és szükség esetén meg kell hozni a megfelelő biztonsági intézkedéseket. Az expozíciós szintek kiértékelésénél azt az időt is figyelembe kell venni, amikor a szerszám ki van kapcsolva és nincs használatban. Ez az idő jelentősen csökkenti a teljes munkaidőre eső expozíciós szintet.

## Szemrevételezés a használat előtt

### ▲ FIGYELMEZTETÉS



**Minden használat előtt vegye szemügre a motoros hajtóegységet, és hárítson el minden problémát az elektromos áramütésből, zúzásokból, sérülésekből és egyéb okokból származó komoly sérülések, illetve a hajtóegység megsérülésének elkerülésében.**

1. Ellenőrizze, hogy a motoros hajtóegység ki van-e húzva a hálózathoz.

2. Tisztítsa le minden olajat, zsírt és egyéb szennyeződést a hajtóegységről és a kitámasztó eszközről (a fogókarokról és a kezelőszervekről is). Ez megkönnyíti a szemrevételezéses ellenőrzést, egyben megakadályozza, hogy a gép vagy egyik kezelőeleme kicsússzon a kezéből.
3. Ellenőrizze a motoros hajtóegységet és a kitámasztó kart a következők tekintetében:
  - A kábel és a dugó sérülése, ill. átalakítása.
  - Megfelelő összeszereltség, teljesség.
  - Sérült, nem megfelelően illeszkedő, ill. összeakadó alkatrészek.
  - A főkapcsoló szerepét betöltő kétlépéses kontakt-pillanatkapcsoló megfelelő működése (5. ábra).
  - A kitámasztó kar akadófogai tiszták és jó állapotúak. A fogak drótkéfével tisztíthatók.
  - A figyelmeztető címke megléte és olvashatósága.
  - A biztonságos, normál működést megakadályozó egyéb körülmény.

Ha bármilyen problémát talál, annak kijavításáig ne használja a motoros hajtóegységet, ill. a kitémasztó eszközt.



**5A ábra – A főkapcsoló szerepét betöltő kétlépéses kontakt-pillanatkapcsoló**

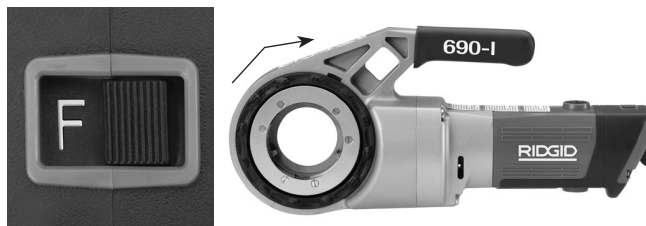


**5B ábra – A főkapcsoló szerepét betöltő kétlépéses kontakt-pillanatkapcsoló**

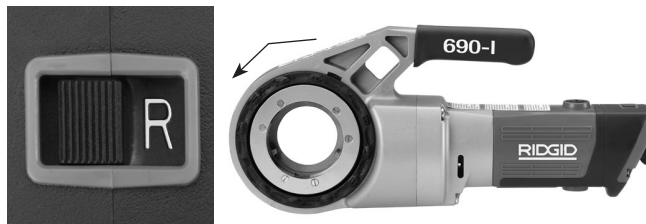
4. Ellenőrizze, hogy a menetvágók vágóélei nem kopottak vagy deformálódtak-e, ill. nem láthatók-e forgácsok vagy egyéb problémák. A tompa vagy sérült vágószerszámok növelik a munkához szükséges erőt, rossz minőségű meneteket eredményeznek, és fokozzák a sérülésveszélyt.
5. Minden egyéb használatban levő berendezést is a hozzájuk tartozó útmutatások szerint ellenőrizzen és tartson karban, mert csak így működnek megfelelően.
6. A beállítási és üzemeltetési útmutató szerint ellenőrizze, hogy a motoros hajtóegység megfelelően működik-e.
  - Az F/R (előre-/hátrameneti) kapcsolót fordítsa F állásba. Nyomja le és engedje el a főkapcsolót (5. ábra). Ellenőrizze, hogy a motoros hajtóegység az óramutató irányába forog-e (Lásd a 6. ábrát), és a kapcsoló elengedésekor leáll-e.
  - Ismétlje meg az eljárást a REVERSE (óramutatóval ellentétes) mozgásnál is. Ha a motoros hajtóegység forgásiránya nem megfelelő, vagy a gép nem reagál a főkapcsolóra, akkor ne használja a gépet, amíg a hibát ki nem javítják.

**MEGJEGYZÉS** Az F/R csúszókapcsoló pozícióját csak akkor változtassa meg, ha a főkapcsolót elengedte. Mielőtt a forgásirányt az F/R csúszókapcsolóval megváltoztatná, hagyja teljesen leállni a motoros hajtóegységet. Így csökkenthető a hajtóegység sérülésének veszélye.

- Tartsa lenyomva a főkapcsolót. Vizsgálja meg a mozgórészeket, hogy jól vannak-e beigazítva, nem szorulnak-e, nem adnak-e ki furcsa hangot, és nem tapasztalható-e bármi szokatlan. Engedje el a főkapcsolót. Ha valami szokatlant tapasztal, ne használja a gépet, amíg meg nem javítják.



**6A ábra – F (ELŐRE MENET) (Óramutató irányába) kapcsolópozíció**



**6B ábra – R (HÁTRAMENET) (Óramutatóval ellentétes irányba) kapcsolópozíció**

7. Engedje el a főkapcsolót, és száraz kézzel húzza ki a gépet.

## Beállítás és üzemeltetés

### ⚠ FIGYELMEZTETÉS



**A motoros hajtóegység beállítását és üzemeltetését a jelen eljárásrend szerint végezze. Így csökkenthető az áramütésből, elakadásból, ütődésből, zúzásból és egyéb okból bekövetkező sérülés veszélye, és jobban megakadályozható a motoros hajtóegység károsodása.**

**Megfelelő a jelen útmutatóban megadott kitémasztó eszközt kell használni. A kitémasztó eszközök elősegítik az uralom megőrzését valamint az ütéses, zúzós és/vagy egyéb sérülések megakadályozását.**

**Ha a mellékelt kitémasztó kartól eltérő kitémasztó eszközt használ, akkor annak a hajtóműházra, ill. a ventilátorházra kell átvinnie az erőt. A motor házával, ill. a fogókarral érintkező kitémasztó eszközök károsíthatják ezeket az alkatrészeket, ill. növelhetik a sérülés veszélyét.**

**Menetvágáskor, ill. a menetvágó fej csőről való eltávolításakor a kitámasztó eszköz használatától függetlenül mindig erősen tartsa a motoros hajtóegységet, ellentartva az alkalmazás során keletkező erőknek. Ezzel csökkenthető az ütéses, zúzások és egyéb sérülések veszélye.**

**Ne viseljen kesztyűt, ill. laza ruhát. A köpenyt és a ruhaujjakat mindig tartsa begombolva. A laza ruha beakadhat a forgó alkatrészekbe, és zúzódási, ill. ütődési sérülést okozhat.**

**Megfelelően támassza alá a csövet. Így csökkenthető a cső leesésének, ill. a megbotlásnak és a súlyos sérülésnek a veszélye.**

**A motoros hajtóegységet ne használja, ha nem működik megfelelően a főkapcsoló, ill. az F/R csúszókapcsoló.**

**A munkafolyamatot és a főkapcsolót egyazon személy irányítsa. Ne működjön együtt egyenél több személlyel. A kezelőnek beakadás esetére ellenőrzése alatt kell tartania a főkapcsolót.**

1. Ellenőrizze, hogy a munkaterületen:

- Van-e megfelelő megvilágítás.
- Található-e a közelben gyúlékony folyadék, gőz vagy por, mely könnyen lángra lobbanhat. Ha ilyenek megtalálhatók a területen, ne dolgozzon a helyszínen, míg az eredetük nem lett azonosítva, és a probléma nem lett elhárítva. A motoros hajtóeszközök nem robbanásbiztosak, így szikraképződést okozhatnak.
- A berendezésnek és a kezelőnek egyaránt tiszta, vízszintes, stabil és száraz helye van.
- A szellőzés megfelelő. Ne használja hosszú ideig kisméretű, zárt területen.
- Van-e megfelelően huzalozott, megfelelő feszültségű tápaljzat. Ha bizonytalan, ellenőriztesse az aljzatot szakképzett villanszerelővel.
- Tisztítsa meg az elektromos aljzathoz vezető utat, hogy ne legyen ott olyan potenciális veszélyforrás, amely károsíthatja az elektromos vezetékét.

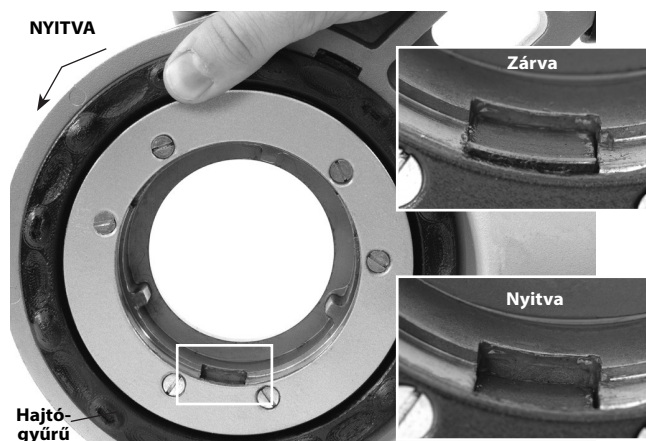
2. Ellenőrizze a megmunkálendő csövet és a hozzá tartozó csatlakozásokat. Ellenőrizze, hogy a választott motoros hajtóegység megfelel-e a munkára. *Lásd a Műszaki adatok c. részt.* Kizárólag egyenes csőanyagra készítsen menetet.

Más alkalmazásokhoz megfelelő felszerelést a Ridge Tool katalógusban, az interneten a RIDGID.com címen, ill. az USA-ban és Kanadában a Ridge Tool műszaki szolgáltatási részlegénél, az (800) 519-3456 telefonszámon találhat.

3. Győződjön meg arról, hogy az alkalmazandó berendezést megfelelően ellenőrizték-e.
4. Az előírásoknak megfelelően készítse elő a csövet. A csövet derékszögben kell levágni, és sorjamentesíteni kell. A ferdén levágott cső menetvágáskor károsíthatja a vágószerszámokat, ill. nehézzé teheti a menetvágó fejek felhelyezését.

### Menetvágó fejek felszerelése

5. 1½" vagy 2" méretű menetvágó fej vagy adapter beszerelése a 690-I típusba:
  - a. Ellenőrizze, hogy a főkapcsoló nincs-e lenyomva, és a hajtóegység ki van-e húzva a hálózatból.
  - b. A hajtóegység gyűrűjét az óramutatóval ellentétes irányba mozgatva nyissa a rögzítőmechanizmust. Teljesen vezesse be a menetvágó fej, ill. az adapter (ha szükséges) bordázott végét a hajtóegységbe. (7. ábra).
  - c. Engedje el a hajtóegység gyűrűjét, és ellenőrizze, hogy a menetvágó fej/adapter biztonságosan a helyén van-e.
  - d. A kiszereleshez fordított sorrendben kell eljárni.



**7. ábra – Rögzítőmechanizmus, hajtógyűrű a nyitott/zárt pozícióban**



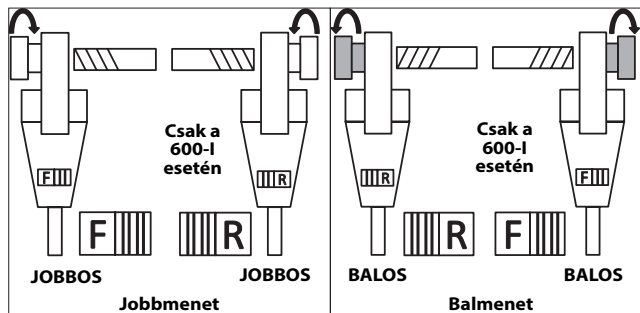
**8. ábra – Adapter beszerelése a 690-I-be**

6. 1¼" és annál kisebb méretű menetvágó fejek beszerelése:
  - a. Ellenőrizze, hogy a főkapcsoló nincs-e lenyomva, és a motoros hajtóegység ki van-e húzva a hálózathoz.
  - b. Szükség esetén szerelje be az adaptert a 690-I típusba (8. ábra).
  - c. A 11-R menetvágó fej nyolcszögű végét merőlegesen helyezze be a motoros hajtóegységbe, úgy, hogy a rugós gyűrű rögzítse a fejet. A 600-I típusnál a menetvágó fej a motoros hajtóegység bármelyik oldalába behelyezhető. A 690-I esetén a menetvágó fejek csak az adapter felőli oldalról helyezhetők be.
  - d. A kisereléshez húzza ki a menetvágó fejet a motoros hajtóegységből. Szükség esetén puha kalapáccsal, ill. fadarabbal ütögesse ki a menetvágó fejet. Ne üssön rá erősen a menetvágó fejre, ez ugyanis károsíthatja a



**9. ábra – Menetvágó fejek beszerelése a 600-I motoros hajtóegységbe**

7. A motoros hajtóegység F/R csúszókapcsolóját állítsa be aszerint, hogy jobb- vagy balmenetet kíván vágni. Lásd a 10. ábrát



**10. ábra – Csúszókapcsoló/menetvágó fej tájolása**

8. A megmunkálandó csőnek stabilan, a használat közben történő felborulás ellen védett állapotban kell lennie. A cső teljes hosszát támassza alá megfelelő csőállványokkal.
9. Ellenőrizze a RIDGID menetvágó olaj szintjét a RIDGID 418 olajozóban. Vegye ki a forgácstálcát, és ellenőrizze, hogy a szűrőszita tiszta-e, és teljesen bemelegült-e az olajba. Szükség szerint cseréljen, ill. töltsön utána olajat. Helyezze a 418 olajozó vödört a megmunkálandó csővég alá.

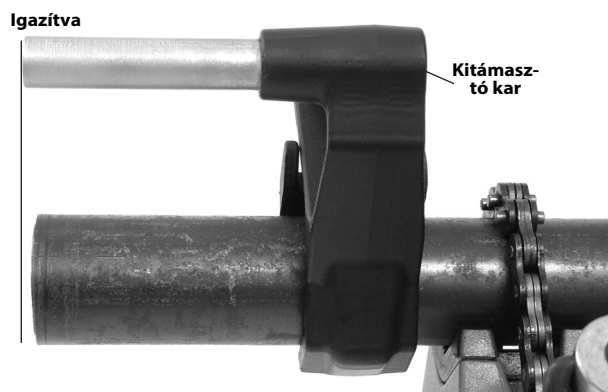
### Menetvágási erők ellentartása

A mellékelt kitémasztó kar használatával:

- a. Mindig a mellékelt kitémasztó kart (601 vagy 602 sz. kitémasztó kar a 600-I, ill. 691 vagy 692 sz. Kitémasztó kar a 690-I esetén) kell használni, kivéve, ha alkalmazása a szűk hely vagy egyéb korlátozások miatt nem lehetséges. A kitémasztó kar a csőre fogható, és segít a menetvágáskor keletkező erők ellentartásában.
- b. Tegye a kitémasztó kart a csőre úgy, hogy a vége a cső végéhez kerüljön, és a felső része vízszintes legyen (11. ábra). Így a kitémasztó kar megfelelően elhelyezhető a menetvágáshoz, és megakadályozható, hogy menetvágó olaj kerüljön a motorba (12. ábra).
- c. Ellenőrizze, hogy a kitémasztó kar pofái merőlegesen illeszkednek-e a csőhöz. Szilárdan húzza meg a kitémasztó kart.



11A ábra – A kitámasztó kar pozicionálása



11B ábra – A kitámasztó kar pozicionálása



12. ábra – A motoros hajtóegység megfelelő tájolása

Ha a kitámasztó kar nem használható:

Ha a csövet beépített állapotban kell megmunkálni, vagy a kitámasztó kar egyéb helyproblémák miatt nem használható.

- Ha csak lehetséges, szerelje ki a csövet, és a menetvágást satuban végezze. Ha ez nem lehetséges, akkor a menetvágáskor keletkező erők ellentartására más kitámasztó eszközt kell igénybevenni. Ilyen lehet pl., ha a motoros hajtóegység fogaskerék- vagy ventilátorházát

egy közelben levő, megfelelő szilárdságú szerkezeti elemhez (pl. falhoz, gerendához, keresztrúdhoz, stb.) támasztja. A csőnek és a környezetnek ilyenkor mindig ki kell bírnia a szerszám súlyát, ill. a menetvágáskor keletkező erőket. Lehet, hogy ideiglenes, ill. állandó csőtámaszokat, szerkezeti elemeket kell beiktatni.

- Jobbmenet készítése esetén a menetvágó fej az óramutató irányába forog (a menetvágó fej homlokfelületére nézve). A menetvágás nyomtatékából adódó erők így a másik, azaz az óramutatóval ellentétes irányba hatnak. Balmenet készítésekor a forgásirány és az erő is ellentétes. A kitámasztó eszközt mindig úgy kell beállítani, hogy megfelelően elnyelje a menetvágási erőt.
- A motoros hajtóegység motorját, ill. fogókarját ne támassza a környező szerkezeti elemekhez a menetvágási erők ellentartására, mivel ekkor a motoros hajtóegység károsodhat.
- Tartsa a motoros hajtóegységet a szerkezeti elemén, és ne tegye ujjait vagy kezét ezek közé. Amikor a menetvágó fejek kifelé haladnak a menetből, mindig tartsa erősen a motoros hajtóegységet, hogy ellen tudjon tartani a menet vágáskor keletkezett forgácsok töréséből származó erőknek. Ezek a lépések csökkentik az ütéses, zúzásos és/vagy egyéb sérülések veszélyét. Az ON/OFF (BE/KI) kapcsoló elengedésével a motoros hajtóegység bármikor kikapcsolható.

Menetvágáskor, ill. a menetvágó fej csőről való eltávolítása-kor a kitámasztó eszköz használatától függetlenül mindig erősen tartsa a motoros hajtóegységet, ellentartva a erőknek. Ezzel csökkenthető az ütéses, zúzásos és/vagy egyéb sérülések veszélye. Az ON/OFF (BE/KI) kapcsoló elengedésével a motoros hajtóegység bármikor kikapcsolható.

## Menetvágás

- A motoros hajtóegységet száraz kézzel kösse be a hálózatba.
- A menetvágó fejet helyezze fel a csőre, és támassza ki a motoros hajtóegységet a következőkben leírtak szerint: *Menetvágási erők ellentartása.*



**13. ábra – A menet megkezdése**

12. A menetvágás megkezdéséhez egyidejűleg aktiválja a főkapcsolót, és szabad kezének tenyerével fejtse ki nyomás a menetvágó fej burkolatlemezére. A burkolatlemez lenyomásakor ne viseljen kesztyűt, ékszert, ill. kendőt, ez ugyanis fokozza a beakadás és sérülés veszélyét. Ha a menetvágó szerszám belekapott a csőbe, a menetek vágása magától megtörténik: a szerszám saját magát húzza rá a cső végére.

A fogókarra ható erők ellentartásához mindig fogja erősen a motoros hajtóegység fogokarját. A kitámasztó eszközök megcsúszhatnak, és emiatt a motoros hajtóegység elmozdulhat. A főkapcsoló elengedésével a motoros hajtóegység bármikor kikapcsolható.

13. Szüntesse meg a burkolatlemezre kifejtett nyomást, és az olajozóval vigyen fel bőséges mennyiségű RIDGID menetvágó olajat a megmunkált területre. Ezzel lecsökkenthető a menetvágás nyomatéka, javítható a menet minősége, és megnövelhető a menetvágó szerszám élettartama.



**14. ábra – Menetvágás csőre**

14. Tartsa lenyomva a főkapcsolót addig, amíg a cső vége egy síkba nem kerül a menetvágó szélével. Ekkor engedje el a kapcsolót. Várjon, amíg a motoros hajtóegység teljesen nem áll le.



**15. ábra – A cső a menetvágók szélével egy síkban van**

15. Kapcsolja át az F/R csúszókapcsolót, és működtesse a főkapcsolót a menetvágó szerszám megmunkált csőről való eltávolításához. A fogókarra ható erők ellentartása érdekében a menetvágó fej lecsavarásakor mindig fogja erősen a motoros hajtóegység fogokarját.

**MEGJEGYZÉS** Az F/R csúszókapcsolót csak akkor kapcsolja át, ha a főkapcsolót már elengedte. Mielőtt a forgásirányt az F/R csúszókapcsolóval megváltoztatná, hagyja teljesen leállni a motoros hajtóegységet. Így csökkenthető a hajtóegység sérülésének veszélye.

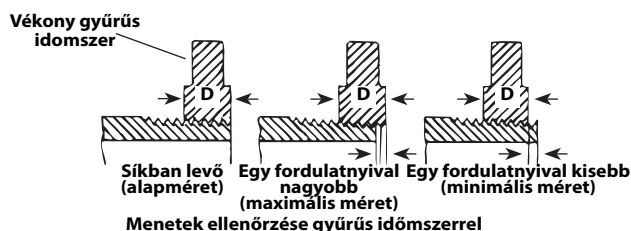
16. Engedje el a kapcsolót, és vegye le a motoros hajtóegységet, valamint a menetvágó fejet a csőről.
17. Húzza ki a motoros hajtóegységet száraz kézzel.
18. Törölje ki az olajat és a törmeléket a menetekből és a menetvágó fejből. Ügyeljen rá, hogy ne vágja meg magát az éles törmelékkel, ill. az éles szélékkel. A munkaterületről tisztítsa ki minden olajkiömlést.

### Menetek ellenőrzése

1. A menetről tisztítsa le minden olajat, forgácsot és törmeléket.
2. Szemrevételezze a menetet. A meneteknek simának, folyamatosnak, megfelelő alakúnak kell lenniük. Ha menetszakadás, elvékonyodott menetek, körköröségi hiba vagy hasonló problémák láthatók, akkor előfordulhat, hogy a menet nem tömít megfelelően. Lásd a "Hibaelhárítás" táblázatot a problémák okának megkereséséről.
3. Ellenőrizze a menet méretét. A menet méretét legkedvezőbb gyűrűs idomszerrel ellenőrizni. Különböző típusú gyűrűs idomszerek léteznek: ezek használata eltérhet a következő ábrán láthatóétól: 16. ábra.



- Kézzel csavarozza rá a gyűrűs idomszert a menetre.
- Figyelje meg, hogy a csővég mennyire nyúlik túl a gyűrűs idomszereken. A cső végének legfeljebb egy fordulatnyi eltéréssel egy síkba kell esnie az idomszer oldalával. Ha a menet idomszeres vizsgálatának eredménye nem kielégítő, akkor vágja le a menetet, állítsa be a menetvágó fejet, és vágjon új menetet. Az a menet, amelynek idomszeres vizsgálata nem ad kielégítő eredményt, szivárgást okozhat.



16. ábra – A menet méretének ellenőrzése

- Ha a menet méretének ellenőrzésére nem áll rendelkezésre gyűrűs idomszer, akkor a menet mérete a majdan ténylegesen használandóval megegyező, új, tiszta csőcsatlakozóval is ellenőrizhető. 2"-es és annál kisebb NPT menetek esetén a menetet olyan hosszban kell kivágni, hogy a csőcsatlakozó kézzel történő felcsavarásakor 4-5 menet összekapcsolódjon. BSPT menetek alatt ez az érték 3 menet.

## Karbantartási útmutató

### ▲ FIGYELMEZTETÉS

**Mielőtt bármilyen karbantartási vagy beállítási műveletbe kezdene, bizonyosodjon meg róla, hogy a gép főkapcsolója elengedett állapotban van-e, és ki van-e húzva a csatlakozószinórja.**

**Az áramütésből, elakadásból, ütődésből, zúzásból és egyéb okból bekövetkező sérülés veszélyének csökkentése érdekében a szerszámot a jelen útmutató szerint kell karbantartani.**

### Tisztítás

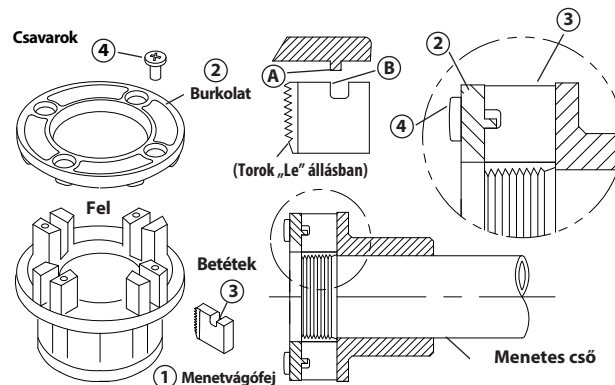
1. A menetvágásból eredő forgácsot minden használat után ki kell tisztítani a 418 olajozó forgácsolócsőjéből, és minden olajmaradékot is ki kell törölni.
2. A motoros hajtóegységről, annak fogókarjairól és a kezelőszervekről is törölni le minden olajat, forgácsot, zsírt és egyéb szennyeződést. Tisztítsa meg a 690-I rögzítőmechanizmusát.

3. A kitámasztó karról törölni le minden olajat, forgácsot, zsírt és egyéb szennyeződést. Szükség esetén drótkéfével tisztítsa meg a kitámasztó kar pófáit.
4. Távolítsa el a forgácsot és egyéb szennyeződést a menetvágó fejekről.

## 11-R menetvágó fejek menetvágóinak cseréje

A RIDGID 11-R menetvágó fejekbe számos menetvágó szerelhető. Az elérhető változatokról lásd a katalógust.

1. Szerelje ki a négy (4) csavart a (2) burkolatból, és szerelje le a fedőlemezt.
2. Vegye ki a régi (3) menetvágókat a menetvágó fejből.
3. Helyezze be az új menetvágókat a hornyokba, a számozott szélükkel felfelé. A menetvágókon levő számoknak egyezniük kell a menetvágó fej hornyain levőkkel. A menetvágókat mindig készletként cserélje.



17. ábra – Menetvágók beszerelése a menetvágó fejbe

4. Cserélje a fedőlemezt, és kismértékben húzza meg a négy csavart.
5. A menetvágó fejet helyezze egy már csavarral ellátott csőre, úgy, hogy a menetvágók megkezdjék a menetvágást. Az ezzel járó erők a (4) menetvágókat kifelé felütköztetik a fedőlemez (4) szemeire, és beállítják a megfelelő méretet.
6. Szilárdan húzza meg a négy csavart. Vegye ki a megmunkált csövet, és végezzen tesztvágást.

## Kefék cseréje a motorban

A motor keféit 6 havonta kell ellenőrizni. A keféket cserélni kell, ha 5/16"-nél (8 mm) kisebbre koptak.



**18. ábra – A kefék beszerelése**

1. Húzza ki a gépet a betáplálásból.
2. Csavarozza le a kefék sapkáit (1. és 2. ábra). Szerelje ki és ellenőrizze a keféket. A keféket cserélni kell, ha 5/16"-nél (8 mm) kisebbre koptak. Ellenőrizze a kommutátor kopását. Ha túlzottan kopott, akkor szervizeltesse a szerszámot.
3. Szerelje vissza a keféket/szerelje be az új keféket, és szilárdan húzza meg a kefék sapkáit.
4. Legcélszerűbb, ha használat előtt a kefék és a kommutátor megfelelő egymáshoz állása érdekében a gépet terhelés nélkül 15 percig előre-, majd 15 percig hátra- menetben járatják.

## Tartozékok

### ▲ FIGYELMEZTETÉS

**A súlyos sérülés kockázatának csökkentése érdekében csak kifejezetten a 600-I és 690-I motoros hajtóegységhez tervezett és javasolt, alább felsorolt tartozékokat használjon. Ha a 600-I és 690-I motoros hajtóegységekkel egyéb, más szerszámokhoz tervezett tartozékokat használnak, az veszélyes lehet.**

## A 600-I és 690-I motoros hajtóegység tartozékai

Katalógus- sz.	Megnevezés
45923	602 kitámasztó kar
45928	692 kitámasztó kar
46668	600-I hordtáska
46673	690-I hordtáska
10883	418 olajozó 1 gallon (3,8 liter) Nu-Clear olajjal
16703	425 1/8" - 2 1/2" TRISTAND satu
36273	460-6 1/8" - 6" TRISTAND satu
45543	115V-os kefék
45588	230V-os kefék

A szerszámhoz tartozó tartozékokról további információk a RIDGID katalógusban, ill. az interneten, a következő címen található: RIDGID.com

## A gép tárolása

**▲ FIGYELMEZTETÉS** A motoros hajtóegységeket beltéren, ill. esős időtől megfelelően leszigetelve kell tartani. A gépet zárható helyen tartsa, hogy ne kerülhessen gyermekek vagy a gépek kezelésében nem jártas személyek kezébe. Gyakorlatlan felhasználó kezében a gépek súlyos sérülést okozhatnak.

## Szerviz és javítás

### ▲ FIGYELMEZTETÉS

**A nem megfelelő szervizelés vagy javítás nem biztonságos üzemeltetést eredményezhet.**

A „Karbantartási utasítás” című részben a gép szükséges karbantartásának nagy része le van írva. Az olyan problémák elhárítását, amellyel az említett rész nem foglalkozik, a RIDGID hivatalos szervizének szakemberére kell bízni.

A szerszámot a RIDGID felhatalmazott független szervizközpontjába vagy a gyárba kell visszajuttatni. Kizárólag RIDGID pótalkatrészeket szabad használni.

Ha tájékoztatásra van szüksége a legközelebbi RIDGID független, felhatalmazott szervizközponttól, vagy bármilyen, szervizeléssel vagy javítással kapcsolatos kérdése van:

- Lépjen kapcsolatba a helyi RIDGID-forgalmazóval.
- Látogasson el a RIDGID.com címre, és keresse meg az Ön esetében illetékes RIDGID kapcsolattartási pontot.
- Forduljon a Ridge Tool műszaki szolgáltatási részlegéhez az [rttechservices@emerson.com](mailto:rttechservices@emerson.com) címen, illetve az USA-ban és Kanadában a (800) 519-3456 számon.

## Menetvágó olaj

A RIDGID® menetvágó olaj használatáról és kezeléséről lásd a tartályon elhelyezett címkét valamint az anyagbiztonsági adatlapot (ang.röv. MSDS). Az MSDS elérhető a RIDGID.com címen, ill. a Ridge Tool műszaki szolgáltatási részlegétől (az USA-ban és Kanadában a (800) 519-3456 számon, ill. az [rttechservices@emerson.com](mailto:rttechservices@emerson.com) címen).

## Ártalmatlanítás

A motoros hajtóegységek alkatrészei értékes nyersanyagokat tartalmaznak, és újrahasznosíthatók. Az Ön lakóhelyén az újrahasznosítással erre szakosodott szervezetek foglalkoznak. Az alkatrészeket a helyi előírásoknak megfelelően ártalmatlanítsa. További információkért lépjen kapcsolatba a helyi hulladékkezelési szervvel.



**Az EK országaiban:** Az elektromos berendezéseket ne dobja ki a háztartási hulladékkal együtt!

Az elektromos és elektronikus berendezések hulladékairól szóló 2012/19/EU irányelv (illetve annak a helyi törvényekben megvalósított előírásai) szerint a már nem használható elektronikus hulladékokat külön kell összegyűjteni, és a környezetvédelmi előírásoknak megfelelően kell ártalmatlanítani.

## Hibaelhárítás

TÜNET	LEHETSÉGES OKOK	MEGOLDÁS
<b>A gép nem működik.</b>	A kefék nem érintkeznek a fegyverzettel.	Ellenőrizze a keféket; ha kopottak, cserélje őket.
<b>A géppel nem vágható menet.</b>	Tompa menetvágó szerszámok. Túlterhelés a szakadt, ill. körköröségi hibás menetek miatt. Gyenge minőségű, ill. elégtelen mennyiségű menetvágó olaj. Nem kielégítő vonali feszültség.	Cserélje a menetvágó szerszámokat. A lehetséges okokat lásd alább.  A RIDGID® menetvágó olajat használja, megfelelő minőségben. Ellenőrizze a tápfeszültséget.
<b>Szikraképződés a motor kommutátoránál.</b>	Nem kielégítő érintkezés a kefék és a kommutátor között. A kefék nem érintkeznek megfelelően a kommutátorral. Más gyártmányú kefék. Új kefék.	Húzza meg a kefék sapkait úgy, hogy a kefék szilárdan rányomódjanak a kommutátorra. Cserélje a kopott keféket és/vagy fegyverzetet. Kizárólag RIDGID® keféket használjon. Állítsa a keféket a megfelelő helyzetbe: ehhez járassa a gépet terhelés nélkül 15 percig előre-, majd hátramenetben.
<b>A menetvágó fej nem kezdi meg a menetvágást.</b>	A menetvágó fej nem merőleges a csővégre. A menetvágó fejre nem megfelelően fektik ki az erőt. A csővég nem merőlegesen van levágva. Tompa, ill. törött menetvágók. A gép nem megfelelő irányban jár.  A menetvágók nem megfelelően helyezkednek el a menetvágó fejben.	A menetvágás megkezdéséhez fejtse ki a nyomást a menetvágó fej fedőlapjára. Az erőt a cső középvonalában kell kifejteni. Merőlegesen vágja le a csővéget. Cserélje a menetvágókat. Ellenőrizze a menetirányváltó csúszókapcsolót. Ellenőrizze, hogy a vágókések kifelé hozzárérnek-e a fedőlap szemeihez.
<b>Szakadt menetek.</b>	Sérült, lepattant részeket mutató, ill. kopott menetvágók. Nem megfelelő, ill. elégtelen mennyiségű menetvágó olaj. Az anyaghoz nem megfelelő menetvágó.  Gyenge minőségű cső / csőanyag.	Cserélje a menetvágókat.  Kizárólag RIDGID® menetvágó olajat használjon, megfelelő minőségben. Az alkalmazáshoz megfelelő gyorsacél, rozsdamentes acél, ill. ötvözet anyagú menetvágókat használjon. Jobb minőségű csövet használjon.
<b>Körköröségi hibás, ill. összezúzott menetek.</b>	A cső fala túl vékony.	40-es vagy nagyobb falvastagságú anyagot használjon.
<b>A kitámasztó eszköz elfordul menetvágáskor.</b>	A kitámasztó kar pofái szennyezettek. A kitámasztó kar nincs megfelelően elhelyezve. A kitámasztó kar nem elég szoros.	Drótkefével tisztítsa meg. A kitámasztó kart a csőre merőlegesen igazítsa el. Húzza meg a rögzítőcsavart.
<b>Vékony menetek.</b>	A menetvágók nem a megfelelő sorrendben vannak elhelyezve.	A menetvágókat a menetvágó fej megfelelő hornyába helyezze.

# Ηλεκτρικοί βιδολόγοι

## 600-I/690-I



### **⚠ ΠΡΟΕΙΔΟΠΟΙΗΣΗ!**

Διαβάστε προσεκτικά το παρόν εγχειρίδιο χειρισμού πριν χρησιμοποιήσετε αυτό το εργαλείο. Αν δεν κατανοήσετε και δεν τηρήσετε τις οδηγίες που περιλαμβάνονται σε αυτό το εγχειρίδιο, μπορεί να προκληθεί ηλεκτροπληξία, πυρκαγιά ή/και σοβαρός τραυματισμός.

### Ηλεκτρικοί βιδολόγοι 600-I/690-I

Σημειώστε παρακάτω τον αριθμό σειράς που αναγράφεται στην πινακίδα τεχνικών χαρακτηριστικών του προϊόντος και φυλάξτε τον.

Σειριακός  
Αρ.

## Πίνακας περιεχομένων

<b>Μορφή εγγραφής για το σειριακό αριθμό της μηχανής</b> .....	259
<b>Σύμβολα ασφαλείας</b> .....	261
<b>Γενικές προειδοποιήσεις ασφαλείας ηλεκτρικού εργαλείου</b> .....	261
Ασφάλεια χώρου εργασίας .....	261
Ηλεκτρική ασφάλεια .....	262
Σωματική ακεραιότητα.....	262
Χρήση και φροντίδα του ηλεκτρικού εργαλείου .....	262
Σέρβις.....	263
<b>Ειδικές πληροφορίες για την ασφάλεια</b> .....	263
Ασφάλεια ηλεκτρικού βιδολόγου .....	263
<b>Περιγραφή, τεχνικά χαρακτηριστικά και βασικός εξοπλισμός</b> .....	264
Περιγραφή .....	264
Βασικός εξοπλισμός .....	265
Τεχνικά χαρακτηριστικά.....	265
<b>Έλεγχος πριν από τη λειτουργία</b> .....	266
<b>Ρύθμιση και λειτουργία</b> .....	267
Τοποθέτηση φιλιέρων .....	268
Αντίσταση στις δυνάμεις ελικοτόμησης .....	269
Ελικοτόμηση .....	270
Έλεγχος σπειρωμάτων .....	271
<b>Οδηγίες συντήρησης</b> .....	272
Καθαρισμός.....	272
Αλλαγή μαχαιριών σε φιλιέρες 11-R .....	272
Αντικατάσταση ψήκτρων σε μοτέρ .....	272
<b>Βοηθητικά εξαρτήματα</b> .....	272
<b>Αποθήκευση μηχανήματος</b> .....	273
<b>Σέρβις και επισκευή</b> .....	273
<b>Λάδι ελικοτόμησης</b> .....	273
<b>Απόρριψη</b> .....	273
<b>Επίλυση προβλημάτων</b> .....	274
<b>Δήλωση συμμόρφωσης ΕΚ</b> .....	Οπισθόφυλλο, εσωτερική πλευρά
<b>Εγγύηση χρόνου ζωής</b> .....	Οπισθόφυλλο

\* Μετάφραση του πρωτοτύπου των οδηγιών χρήσης

## Σύμβολα ασφαλείας

Στο παρόν εγχειρίδιο χειρισμού και στο προϊόν, τα σύμβολα ασφαλείας και οι προειδοποιήσεις χρησιμοποιούνται για τη μετάδοση σημαντικών πληροφοριών που αφορούν την ασφάλεια. Στόχος αυτής της ενότητας είναι η βελτίωση της κατανόησης αυτών και προειδοποιήσεων και συμβόλων.



Αυτό είναι το σύμβολο προειδοποίησης για θέματα ασφαλείας. Χρησιμοποιείται για να σας προειδοποιήσει για πιθανό κίνδυνο τραυματισμού. Τηρείτε πιστά όλα τα μηνύματα ασφαλείας που ακολουθούν αυτό το σύμβολο για να αποφύγετε πιθανό τραυματισμό ή θάνατο.

### ⚠ ΚΙΝΔΥΝΟΣ

Η ένδειξη ΚΙΝΔΥΝΟΣ επισημαίνει μια επικίνδυνη κατάσταση, η οποία, εάν δεν αποφευχθεί, θα οδηγήσει σε θάνατο ή σοβαρό τραυματισμό.

### ⚠ ΠΡΟΕΙΔΟΠΟΙΗΣΗ

Η ένδειξη ΠΡΟΕΙΔΟΠΟΙΗΣΗ επισημαίνει μια επικίνδυνη κατάσταση, η οποία, αν δεν αποφευχθεί, θα μπορούσε να οδηγήσει σε θάνατο ή σοβαρό τραυματισμό.

### ⚠ ΠΡΟΣΟΧΗ

Η ένδειξη ΠΡΟΣΟΧΗ επισημαίνει μια επικίνδυνη κατάσταση, η οποία, αν δεν αποφευχθεί, θα μπορούσε να οδηγήσει σε μικρής ή μέτριας σοβαρότητας τραυματισμό.

### ΕΠΙΣΗΜΑΝΣΗ

Η ένδειξη ΕΠΙΣΗΜΑΝΣΗ δηλώνει πληροφορίες που σχετίζονται με την προστασία περιουσιακών αγαθών.



Αυτό το σύμβολο σημαίνει ότι θα πρέπει να διαβάσετε προσεκτικά το εγχειρίδιο χειρισμού προτού χρησιμοποιήσετε τον εξοπλισμό. Το εγχειρίδιο χειρισμού περιλαμβάνει σημαντικές πληροφορίες για την ασφαλή και ορθή λειτουργία του εξοπλισμού.



Αυτό το σύμβολο σημαίνει ότι θα πρέπει να φοράτε πάντα γυαλιά ασφαλείας με πλαϊνή θωράκιση ή γυαλιά προσωπίδες όταν χειρίζεστε ή χρησιμοποιείτε αυτό τον εξοπλισμό ώστε να μειώνεται ο κίνδυνος τραυματισμού των οφθαλμών.



Αυτό το σύμβολο επισημαίνει τον κίνδυνο να πιαστούν τα δάκτυλα, τα χέρια, τα ρούχα σας ή άλλα αντικείμενα στα γρανάζια ή σε άλλα περιστρεφόμενα μέρη του εργαλείου, με κίνδυνο τραυματισμού.



Αυτό το σύμβολο επισημαίνει τον κίνδυνο ηλεκτροπληξίας.



Αυτό το σύμβολο υποδεικνύει κίνδυνο ανατροπής του μηχανήματος, που μπορεί να προκαλέσει τραυματισμό από χτύπημα ή σύνθλιψη.



Το σύμβολο αυτό υποδεικνύει να μην φοράτε γάντια όταν χρησιμοποιείτε αυτό το μηχάνημα, ώστε να μειωθεί ο κίνδυνος να μπλεχτούν τα χέρια σας στα εξαρτήματα του μηχανήματος.



Το σύμβολο αυτό υποδεικνύει την ανάγκη χρήσης ενός μηχανισμού αντιστήριξης για την αντίσταση στις δυνάμεις ελικοτόμησης, τη βελτίωση του ελέγχου και τη μείωση του κινδύνου χτυπήματος, σύνθλιψης και/ή άλλων τραυματισμών.

## Γενικές προειδοποιήσεις ασφαλείας ηλεκτρικού εργαλείου\*

### ⚠ ΠΡΟΕΙΔΟΠΟΙΗΣΗ

**Διαβάστε όλες τις προειδοποιήσεις ασφαλείας, τις οδηγίες, τις εικόνες και τα τεχνικά χαρακτηριστικά που παρέχονται με αυτό το ηλεκτρικό εργαλείο. Αν δεν τηρηθούν όλες οι οδηγίες που αναγράφονται παρακάτω μπορεί να προκληθεί ηλεκτροπληξία, πυρκαγιά ή/και σοβαρός τραυματισμός.**

**ΦΥΛΑΞΤΕ ΟΛΕΣ ΤΙΣ ΠΡΟΕΙΔΟΠΟΙΗΣΕΙΣ ΚΑΙ ΤΙΣ ΟΔΗΓΙΕΣ ΩΣΤΕ ΝΑ ΑΝΑΤΡΕΞΕΤΕ ΣΕ ΑΥΤΕΣ ΣΤΟ ΜΕΛΛΟΝ!**

Ο όρος «ηλεκτρικό εργαλείο» που περιέχεται στις προειδοποιήσεις αναφέρεται σε ηλεκτρικά εργαλεία με τροφοδοσία ρεύματος (με καλώδιο) και σε ηλεκτρικά εργαλεία με τροφοδοσία μπαταρίας (χωρίς καλώδιο).

## Ασφάλεια χώρου εργασίας

- Διατηρείτε την περιοχή εργασίας καθαρή και φροντίζετε να υπάρχει καλός φωτισμός. Αν ο χώρος εργασίας δεν είναι τακτοποιημένος ή έχει κακό φωτισμό, μπορεί να προκληθεί ατύχημα.
- Μη θέτετε σε λειτουργία ηλεκτρικά εργαλεία σε περιβάλλον με κίνδυνο έκρηξης, όπως σε μέρη που υπάρχουν εύφλεκτα υγρά, αέρια ή σκόνη. Τα ηλεκτρικά εργαλεία δημιουργούν σπινθήρες οι οποίοι ενδέχεται να προκαλέσουν ανάφλεξη της σκόνης ή των αναθυμιάσεων.
- Κρατήστε τα παιδιά και τους μη μετέχοντες στην εργασία σε απόσταση ενόσω χειρίζεστε ένα ηλεκτρικό εργαλείο. Λά βετε υπόψη ότι τυχόν περισπασμοί μπορεί να οδηγήσουν σε απώλεια ελέγχου του εργαλείου.

\* Το κείμενο που χρησιμοποιείται στην ενότητα των γενικών προειδοποιήσεων ασφαλείας ηλεκτρικού εργαλείου του παρόντος εγχειρίδιου έχει μεταφερθεί κατά λέξη, όπως απαιτείται, από το ισχύον πρότυπο UL/CSA 62841. Η ενότητα αυτή περιλαμβάνει γενικούς κανόνες ασφαλείας για πολλούς διαφορετικούς τύπους ηλεκτρικών εργαλείων. Δεν ισχύουν όλες οι προφυλάξεις για όλα τα εργαλεία και ορισμένες δεν ισχύουν για το συγκεκριμένο εργαλείο.

## Ηλεκτρική ασφάλεια

- Τα βύσματα σύνδεσης των ηλεκτρικών εργαλείων πρέπει να ταιριάζουν με την αντίστοιχη πρίζα παροχής. Μην διενεργείτε ποτέ και με κανένα τρόπο τροποποιήσεις στο βύσμα. Μην χρησιμοποιείτε προσαρμογείς στα βύσματα γειωμένων ηλεκτρικών εργαλείων. Τα μη τροποποιημένα βύσματα και η σύνδεσή τους στις σωστές πρίζες παροχής μειώνουν τον κίνδυνο ηλεκτροπληξίας.
- Αποφύγετε οποιαδήποτε σωματική επαφή με γειωμένες επιφάνειες, όπως σωλήνες, καλοριφέρ, ηλεκτρικές κουζίνες και ψυγεία. Σε περίπτωση γείωσης του σώματός σας, υπάρχει αυξημένος κίνδυνος ηλεκτροπληξίας.
- Μην εκθέτετε τα ηλεκτρικά εργαλεία σε βροχή ή υγρασία. Ενδεχόμενη διείσδυση νερού σε ένα ηλεκτρικό εργαλείο θα αυξήσει τον κίνδυνο ηλεκτροπληξίας.
- Μην κακομεταχειρίζεστε το καλώδιο. Μην χρησιμοποιείτε ποτέ το καλώδιο για τη μεταφορά, την έλξη ή την αποσύνδεση από την παροχή ρεύματος του ηλεκτρικού εργαλείου. Κρατήστε το καλώδιο μακριά από θερμότητα, λάδια, αιχμηρές γωνίες ή κινούμενα μέρη του εργαλείου. Τα κατεστραμμένα ή μπερδεμένα καλώδια αυξάνουν τον κίνδυνο ηλεκτροπληξίας.
- Κατά τη χρήση του ηλεκτρικού εργαλείου σε εξωτερικό χώρο, χρησιμοποιήστε μια προέκταση καλωδίου ενδεδειγμένη για την εν λόγω χρήση. Η χρήση καλωδίου ενδεδειγμένου για χρήση σε εξωτερικούς χώρους μειώνει τον κίνδυνο ηλεκτροπληξίας.
- Εάν η χρήση ηλεκτρικού εργαλείου σε περιβάλλον με υγρασία είναι αναπόφευκτη, χρησιμοποιήστε μια διάταξη με προστασία διακόπτη κυκλώματος βλάβης γείωσης (GFCI). Η χρήση διάταξης GFCI μειώνει τον κίνδυνο ηλεκτροπληξίας.

## Σωματική ακεραιότητα

- Να είστε σε ετοιμότητα και εγρήγορη, συγκεντρωμένοι και προσεκτικοί με τις ενέργειές σας και να λειτουργείτε με γνώμονα την κοινή λογική κατά τη χρήση οποιοδήποτε ηλεκτρικού εργαλείου. Μην χρησιμοποιείτε ηλεκτρικά εργαλεία όταν είστε κουρασμένοι ή ενώ βρίσκεστε υπό την επήρεια ναρκωτικών ουσιών, αλκοόλ ή φαρμάκων. Μια στιγμή απροσεξίας κατά το χειρισμό του ηλεκτρικού εργαλείου, μπορεί να προκαλέσει σοβαρό τραυματισμό.
- Χρησιμοποιείτε ατομικό προστατευτικό εξοπλισμό. Να φοράτε πάντα ειδικά προστατευτικά γυαλιά. Ο εξοπλισμός προστασίας που χρησιμοποιείται σε τέτοιου είδους περιπτώσεις, όπως η μάσκα προστασίας από τη σκόνη, τα ειδικά υποδήματα ασφαλείας με αντιολισθητικές σόλες, το κράνος ή τα προστατευτικά αυτιών, περιορίζει τον κίνδυνο τραυματισμών.

- Αποτρέψτε τυχόν μη σκόπιμη εκκίνηση του εργαλείου. Βεβαιωθείτε ότι ο διακόπτης είναι κλειστός (βρίσκεται στη θέση off) πριν συνδέσετε το εργαλείο στην παροχή ρεύματος και/ή στη μπαταρία, πριν σηκώσετε ή μεταφέρετε το εργαλείο. Η μεταφορά ηλεκτρικών εργαλείων με το δάκτυλο στο διακόπτη ή η ενεργοποίηση ηλεκτρικών εργαλείων ενώ ο διακόπτης είναι ανοικτός (βρίσκεται στη θέση on) ενέχουν κίνδυνο πρόκλησης ατυχημάτων.
- Αφαιρέστε τυχόν κλειδιά ρύθμισης πριν θέσετε το εργαλείο σε λειτουργία. Εάν κάποιο κλειδί παραμείνει προσαρτημένο σε περιστρεφόμενο μέρος του ηλεκτρικού εργαλείου μπορεί να προκληθεί σοβαρός τραυματισμός.
- Χειρίζεστε πάντα το εργαλείο από την πλευρά του διακόπτη. Διατηρείτε πάντοτε σωστή, σταθερή στάση και ισορροπία. Έτσι, ελέγχετε καλύτερα το ηλεκτρικό εργαλείο αν προκύψει κάτι απροσδόκητο.
- Φορέστε κατάλληλη ενδυμασία. Μην φοράτε φαρδιά ενδύματα ή κοσμήματα. Κρατήστε τα μαλλιά, τα ενδύματα και τα γάντια μακριά από τα κινούμενα μέρη. Τα φαρδιά ενδύματα, τα κοσμήματα ή τα μακριά μαλλιά μπορεί να παγιδευτούν σε κινούμενα μέρη.
- Εάν παρέχονται συσκευές για τη σύνδεση των βοηθημάτων εξαγωγής και συλλογής σκόνης, βεβαιωθείτε ότι είναι συνδεδεμένες και ότι χρησιμοποιούνται σύμφωνα με τον ενδεδειγμένο τρόπο. Η χρήση μεθόδων συλλογής σκόνης μπορεί να μειώσει τους κινδύνους που έχουν άμεση σχέση με αυτή.
- Μην αφήσετε την εξοικείωση που αποκτήσατε από τη συχνή χρήση των εργαλείων να σας επιτρέψει να εφησυχάσετε και να αγνοήσετε τις αρχές ασφαλείας που ισχύουν για τα εργαλεία. Μια απρόσεκτη ενέργεια μπορεί να προκαλέσει σοβαρό τραυματισμό σε κλάσματα του δευτερολέπτου.

## Χρήση και φροντίδα του ηλεκτρικού εργαλείου

- Μην ασκείτε πίεση στο ηλεκτρικό εργαλείο. Χρησιμοποιείτε το σωστό ηλεκτρικό εργαλείο για την εκάστοτε εφαρμογή που επιθυμείτε. Όταν χρησιμοποιείτε το σωστό εργαλείο, μπορείτε να εκτελέσετε καλύτερα και ασφαλέστερα την εργασία σας και σύμφωνα με τα πρότυπα με τα οποία σχεδιάστηκε εξ αρχής.
- Μην χρησιμοποιείτε ένα ηλεκτρικό εργαλείο αν ο διακόπτης του δεν μπορεί να το θέσει σε και εκτός λειτουργίας. Κάθε ηλεκτρικό εργαλείο που δεν είναι δυνατό να ελεγχθεί από το διακόπτη είναι επικίνδυνο και πρέπει να υποβάλλεται σε επισκευή.



- Αποσυνδέστε το φως από την πηγή ρεύματος ή/και αφαιρέστε την μπαταρία από το ηλεκτρικό εργαλείο, αν αυτή μπορεί να αφαιρεθεί, προτού διενεργήσετε τυχόν ρυθμίσεις, αλλάξετε εξαρτήματα ή αποθηκεύσετε ηλεκτρικά εργαλεία. Τα εν λόγω προληπτικά μέτρα ασφαλείας μειώνουν τον κίνδυνο να τεθεί κατά λάθος σε λειτουργία το ηλεκτρικό εργαλείο.
- Φυλάξτε τα ανενεργά ηλεκτρικά εργαλεία μακριά από παιδιά και μην αφήνετε άτομα που δεν είναι εξοικειωμένα με το ηλεκτρικό εργαλείο ή τις παρούσες οδηγίες να χειριστούν το ηλεκτρικό εργαλείο. Τα ηλεκτρικά εργαλεία είναι επικίνδυνα σε χέρια ανειδίκευτων χρηστών.
- Συντηρείτε τα ηλεκτρικά εργαλεία και τα εξαρτήματα. Ελέγξτε για τυχόν μη ευθυγράμμιση ή μπλοκάρισμα των κινούμενων μερών, για φθορές στα εξαρτήματα και κάθε άλλη κατάσταση η οποία ενδέχεται να επηρεάσει τη λειτουργία του ηλεκτρικού εργαλείου. Αν υπάρχουν ζημιές, παραδώστε το ηλεκτρικό εργαλείο για επισκευή πριν από οποιαδήποτε χρήση του. Πολλά ατυχήματα προκαλούνται από κακή συντήρηση των ηλεκτρικών εργαλείων.
- Διατηρείτε τα εργαλεία κοπής αιχμηρά και καθαρά. Η σωστή συντήρηση των εργαλείων κοπής με αιχμηρές κοπτικές ακμές ελαχιστοποιούν τον κίνδυνο μπλοκαρίσματος τους και καθιστούν τον έλεγχό τους ευκολότερο.
- Χρησιμοποιείτε το ηλεκτρικό εργαλείο, τα βοηθητικά εξαρτήματα και τα κλειδιά κλπ., σύμφωνα με τις παρούσες οδηγίες, λαμβάνοντας υπόψη τις συνθήκες εργασίας και την προς εκτέλεση εργασία. Η χρήση του ηλεκτρικού εργαλείου για εργασίες διαφορετικές από αυτές για τις οποίες προορίζεται μπορεί να δημιουργήσει επικίνδυνες καταστάσεις.
- Διατηρείτε τις λαβές και τις επιφάνειες λαβής στεγνές, καθαρές και απαλλαγμένες από λάδια και γράσα. Οι ολισθηρές λαβές και επιφάνειες λαβής δεν επιτρέπουν τον ασφαλή χειρισμό και έλεγχο του εργαλείου σε μη αναμενόμενες καταστάσεις.

## Σέρβις

- Παραδώστε το ηλεκτρικό εργαλείο για εργασίες σέρβις από κάποιον πιστοποιημένο αντιπρόσωπο σέρβις ο οποίος χρησιμοποιεί μόνο πανομοιότυπα ανταλλακτικά. Έτσι, θα διασφαλιστεί η τήρηση της ασφάλειας του ηλεκτρικού εργαλείου.

## Ειδικές πληροφορίες για την ασφάλεια

### ⚠ ΠΡΟΕΙΔΟΠΟΙΗΣΗ

Η παρούσα ενότητα περιλαμβάνει σημαντικές πληροφορίες ασφαλείας που αφορούν ειδικά το συγκεκριμένο εργαλείο.

Διαβάστε προσεκτικά αυτά τα μέτρα προφύλαξης πριν χρησιμοποιήσετε τους ηλεκτρικούς βιδολόγους, ώστε να μειωθεί ο κίνδυνος ηλεκτροπληξίας ή σοβαρής σωματικής βλάβης.

### ΦΥΛΑΞΤΕ ΑΥΤΕΣ ΤΙΣ ΟΔΗΓΙΕΣ!

Το εγχειρίδιο αυτό πρέπει να βρίσκεται μαζί με το μηχάνημα, για χρήση από το χειριστή.

## Ασφάλεια ηλεκτρικού βιδολόγου

- Χρησιμοποιείτε πάντα τον μηχανισμό αντιστήριξης που συνοδεύει το εργαλείο. Η απώλεια ελέγχου κατά τη λειτουργία μπορεί να προκαλέσει τραυματισμό.
- Όταν χρησιμοποιείτε το εργαλείο, πρέπει να έχετε κουμπωμένα τα μανίκια και τα μπουφάν σας. Μην τεντώνετε τα χέρια σας πάνω από το εργαλείο ή τον σωλήνα. Μπορεί να πιαστούν και να μπλεχτούν τα ρούχα σας στον σωλήνα ή το εργαλείο.
- Η διαδικασία εργασίας και η λειτουργία του εργαλείου πρέπει να ελέγχονται από ένα μόνο άτομο. Αν εμπλακούν και άλλα άτομα στη διαδικασία, μπορεί να προκληθεί μη σκοπούμενη λειτουργία και τραυματισμός.
- Διατηρείτε το δάπεδο στεγνό και καθαρό, χωρίς γλιστερά υλικά όπως λάδι. Σε ολισθηρό δάπεδο είναι πολύ πιθανό να συμβεί ατύχημα.
- Μη φοράτε γάντια όσο χειρίζεστε το εργαλείο. Μην τεντώνετε τα χέρια σας πάνω από το εργαλείο ή τον σωλήνα. Τα γάντια μπορεί να πιαστούν και να μπλεχτούν στον σωλήνα ή το εργαλείο.
- Κρατάτε πάντα σταθερά τον ηλεκτρικό βιδολόγο κατά την ελικότομηση ή την εξαγωγή της φιλιέρας από τον σωλήνα ώστε να υπάρχει αντίσταση στις δυνάμεις ελικότομησης, ανεξαρτήτως εάν χρησιμοποιείτε και μηχανισμό αντιστήριξης. Με τον τρόπο αυτό θα μειώσετε τον κίνδυνο χτυπήματος, σύνθλιψης και άλλων τραυματισμών.
- Ακολουθήστε τις οδηγίες για τη σωστή χρήση αυτού του μηχανήματος. Μην το χρησιμοποιείτε για άλλους σκοπούς, όπως για παράδειγμα για τη διάνοιξη οπών ή την περιστροφή βαρούλκων. Άλλου είδους χρήση ή η τροποποίηση αυτού του μηχανήματος για άλλες εφαρμογές ενδέχεται να αυξήσει τον κίνδυνο σοβαρού τραυματισμού.

- **Μη χρησιμοποιείτε αυτόν τον ηλεκτρικό βιδολόγο εάν έχει καταστραφεί ο διακόπτης ON/OFF (ενεργοποίηση/απενεργοποίηση).** Ο διακόπτης αυτός αποτελεί διάταξη ασφαλείας και σας δίνει τη δυνατότητα να σταματήσετε το μοτέρ ελευθερώνοντας το διακόπτη.
- **Μη χρησιμοποιείτε μαχαιρία που είναι στομωμένα ή έχουν υποστεί ζημιά.** Όταν είναι αιχμηρά τα εργαλεία κοπής απαιτείται μικρότερη ροπή και είναι ευκολότερος ο χειρισμός του ηλεκτρικού βιδολόγου.
- **Διατηρείτε τις λαβές στεγνές και καθαρές, χωρίς λάδια και γράσα.** Θα έχετε καλύτερο έλεγχο του εργαλείου.
- **Με τους ηλεκτρικούς βιδολόγους RIDGID χρησιμοποιείτε μόνο φιλιέρες RIDGID,** γιατί οι άλλες φιλιέρες ενδέχεται να μην εφαρμόζουν σωστά στον ηλεκτρικό βιδολόγο, αυξάνοντας έτσι τον κίνδυνο να προκληθεί ζημιά στον εξοπλισμό ή τραυματισμός.

Εάν έχετε οποιαδήποτε απορία σχετικά με το συγκεκριμένο προϊόν RIDGID®:

- Επικοινωνήστε με τον τοπικό διανομέα RIDGID.
- Επισκεφθείτε τη διεύθυνση RIDGID.com για να βρείτε το πλησιέστερο σημείο επικοινωνίας της RIDGID στην περιοχή σας.
- Επικοινωνήστε με το Τμήμα Σέρβις της Ridge Tool στην ηλεκτρονική διεύθυνση [rtctechservices@emerson.com](mailto:rtctechservices@emerson.com) ή για ΗΠΑ και Καναδά καλέστε στο (800) 519-3456.

## Περιγραφή, τεχνικά χαρακτηριστικά και βασικός εξοπλισμός

### Περιγραφή

Τα μοντέλα των ηλεκτρικών βιδολόγων RIDGID® 600-I και 690-I διαθέτουν διπλή μόνωση και χρησιμοποιούνται για την ηλεκτρική ελικοτόμηση σωλήνων και αγωγών. Η επιλογή δεξιάς ή αριστερής περιστροφής ελέγχεται από έναν ολισθαίνοντα διακόπτη, ενώ η λειτουργία ON/OFF από έναν στιγμιαίο διακόπτη επαφής δύο βαθμίδων.

Το μοντέλο 600-I του ηλεκτρικού βιδολόγου χρησιμοποιείται με φιλιέρες RIDGID 11-R (σωλήνες 1/8" – 1 1/4"). Το μοντέλο 690-I του ηλεκτρικού βιδολόγου χρησιμοποιείται με φιλιέρες RIDGID 11-R (σωλήνες 1/8" – 2"). Για τη χρήση του ηλεκτρικού βιδολόγου 690-I απαιτείται προσαρμογέας στα μεγέθη 1/8" – 1 1/4". Στον ηλεκτρικό βιδολόγο 690-I, ο προσαρμογέας και τα μεγέθη 1 1/2" – 2" συγκρατούνται με τη βοήθεια ενός μηχανισμού συγκράτησης.



Εικόνα 1 – Μοντέλο 600-I ηλεκτρικού βιδολόγου

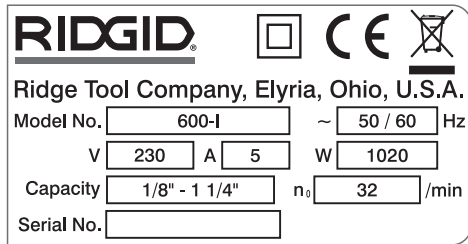


Εικόνα 2 – Μοντέλο 690-I ηλεκτρικού βιδολόγου



Εικόνα 3 – Βραχίονες αντιστήριξης 602/692

Η πινακίδα του αριθμού σειράς του ηλεκτρικού βιδολόγου 600-I και 690-I βρίσκεται στο κάτω μέρος του πλαισίου του μοτέρ. Τα 4 τελευταία ψηφία του αριθμού σειράς δηλώνουν το μήνα και το έτος κατασκευής (MMEE).



**Εικόνα 4 – Αριθμός σειράς μηχανήματος**

### Βασικός εξοπλισμός

Οι ηλεκτρικοί βιδολόγοι 600-I/690-I συνοδεύονται από τα παρακάτω εξαρτήματα:

- Ηλεκτρικός βιδολόγος
- Προσαρμογέας 690-I (μόνο για το 690-I)
- Εγχειρίδιο χειρισμού

### Τεχνικά χαρακτηριστικά

Παράμετρος	Ηλεκτρικός βιδολόγος 600-I	Ηλεκτρικός βιδολόγος 690-I
Δυνατότητα ελικοτόμησης σωλήνα	1/8 έως 1 1/4 ίντσες (3 έως 32 mm)	1/8 έως 2 ίντσες (3 έως 50 mm)
Βάση φιλιέρας	Ελατηριωτός δακτύλιος	Μηχανισμός συγκράτησης (1 1/2 – 2 ίντσες) Ελατηριωτός δακτύλιος (1/8 – 1 1/4 ίντσες)
Αριστερά σπειρώματα	Ναι	Ναι
Βραχίονας αντιστήριξης	Αρ. 602, Αρ. 601	Αρ. 692, Αρ. 691
Προσαρμογέας	Δεν απαιτείται.	Με φιλιέρες 1/8" έως 1 1/4".
Τύπος κινητήρα	Μοτέρ Universal, μονοφασικό	Μοτέρ Universal, μονοφασικό
Watt	1270 (120V), 1020 (220-240V)	1270 (120V), 1020 (220-240V)
Διαθέσιμη τάση/φάση	120V/1PH, 220-240V/1PH	120V/1PH, 220-240V/1PH
Amps	12A (120V), 5A (220-240V)	12A (120V), 5A (220-240V)
Στροφές λειτουργίας (σ.α.λ.)	36 (120V), 32 (220-240V)	36 (120V), 32 (220-240V)
Κουμπιά ελέγχου	Ολισθαίνων διακόπτης δεξιάς/αριστερής περιστροφής Στιγμιαίος διακόπτης επαφής ON/OFF δύο βαθμίδων	Ολισθαίνων διακόπτης δεξιάς/αριστερής περιστροφής Στιγμιαίος διακόπτης επαφής ON/OFF δύο βαθμίδων
Μειωτήρας	Χυτοπρεσσαριστό αλουμίνιο με μόνιμο γράσο	Χυτοπρεσσαριστό αλουμίνιο με μόνιμο γράσο
Μήκος	20 ίντσες (508 mm)	24,13 ίντσες (613 mm)
Πλάτος	3,75 ίντσες (95 mm)	4,75 ίντσες (121 mm)
Ύψος	7,5 ίντσες (191 mm)	8 ίντσες (203 mm)
Βάρος	12,65 λίβρες (5,7 κιλά)	21,15 λίβρες (9,6 κιλά)
Ηχητική πίεση (L <sub>PA</sub> )*	83 dB(A), K=3	83 dB(A), K=3
Ηχητική ισχύς (L <sub>WA</sub> )*	94 dB(A), K=3	94 dB(A), K=3
Δόνηση*	<2,5 m/s <sup>2</sup> , K=1,5	<2,5 m/s <sup>2</sup> , K=1,5

\* Οι μετρήσεις ήχου και δονήσεων γίνονται σύμφωνα με ένα τυποποιημένο τεστ βάσει του Προτύπου IEC62841-1.

- Τα επίπεδα δονήσεων μπορούν να χρησιμοποιηθούν για σύγκριση με άλλα εργαλεία και για την προκαταρκτική εκτίμηση έκθεσης.
- Οι εκπομπές ήχου και δονήσεων ενδέχεται να διαφέρουν λόγω της τοποθεσίας που βρίσκεστε και της ειδικής χρήσης των εργαλείων αυτών.
- Για κάθε εφαρμογή πρέπει να αξιολογούνται τα καθημερινά επίπεδα έκθεσης στον ήχο και τις δονήσεις και να λαμβάνονται τα κατάλληλα μέτρα ασφαλείας όπου απαιτείται. Η εκτίμηση των επιπέδων έκθεσης πρέπει να λαμβάνει υπόψη τον χρόνο που ένα εργαλείο είναι απενεργοποιημένο και δεν χρησιμοποιείται. Με τον τρόπο αυτό μπορεί να μειωθούν σημαντικά τα επίπεδα έκθεσης στη συνολική διάρκεια της εργασίας.

### ΕΠΙΣΗΜΑΝΣΗ

Ο σχεδιαστής του συστήματος και/ή ο επιβλέπων την εγκατάσταση είναι υπεύθυνοι να επιλέξουν τα κατάλληλα υλικά και την κατάλληλη τεχνική εγκατάσταση, καθώς και τις μεθόδους συναρμογής και διαμόρφωσης. Αν επιλεγθούν ακατάλληλα υλικά ή ακατάλληλες μέθοδοι, μπορεί να προκληθεί βλάβη του συστήματος.

Τα εξαρτήματα από ανοξείδωτο ατσάλι ή από άλλα υλικά ανθεκτικά στη διάβρωση μπορεί να ρυπανθούν κατά την εγκατάσταση, τη συναρμογή και τη διαμόρφωση του συστήματος. Η ρύπανση αυτή μπορεί να προκαλέσει διάβρωση και πρόωρη αστοχία. Πριν προχωρήσετε στην εγκατάσταση, θα πρέπει να έχουν αξιολογηθεί προσεκτικά όλα τα υλικά και οι μέθοδοι για τις συνθήκες της συγκεκριμένης εφαρμογής, καθώς και όλες οι χημικές παράμετροι και οι παράμετροι που αφορούν τη θερμοκρασία.

## Έλεγχος πριν από τη λειτουργία

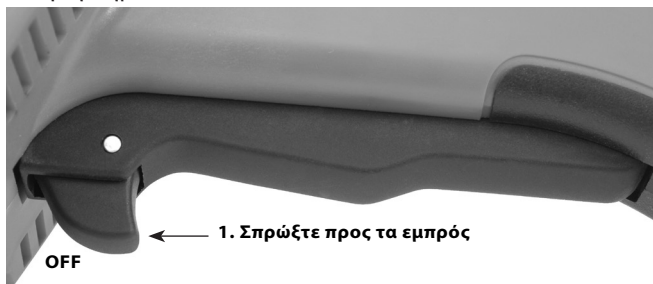
### ⚠ ΠΡΟΕΙΔΟΠΟΙΗΣΗ



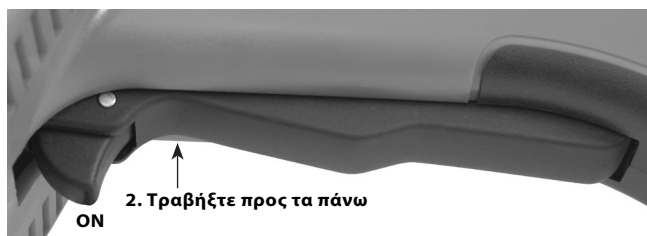
**Πριν από κάθε χρήση, ελέγξτε τον ηλεκτρικό βιδολόγο και διορθώστε τυχόν προβλήματα, ώστε να μειωθεί ο κίνδυνος σοβαρού τραυματισμού από ηλεκτροπληξία, σύνθλιψη και άλλα αίτια και να προληφθεί τυχόν βλάβη του βιδολόγου.**

1. Βεβαιωθείτε ότι ο ηλεκτρικός βιδολόγος δεν είναι στην πρίζα.
2. Καθαρίστε τον ηλεκτρικό βιδολόγο και το μηχανισμό αντιστήριξης από τυχόν λάδια, γράσα ή ακαθαρσίες, συμπεριλαμβανομένων των λαβών και κουμπιών. Έτσι διευκολύνεται ο έλεγχος και μειώνεται η πιθανότητα να σας γλιστρήσει το μηχάνημα ή κάποιο χειριστήριο.
3. Επιθεωρήστε τον ηλεκτρικό βιδολόγο και το βραχίονα αντιστήριξης για τα εξής:
  - Ζημιά ή τροποποίηση στο καλώδιο και το βύσμα.
  - Σωστή συναρμολόγηση, συντήρηση και πληρότητα.
  - Κατεστραμμένα, μη ευθυγραμμισμένα ή μπλοκαρισμένα εξαρτήματα.
  - Σωστή λειτουργία του στιγμιαίου διακόπτη επαφής ON/OFF δύο βαθμίδων (Εικόνα 5).
  - Καθαριότητα και καλή κατάσταση των δοντιών σύσφιξης του βραχίονα αντιστήριξης. Μπορείτε να καθαρίσετε τα δόντια με συρματένια βούρτσα.
  - Ύπαρξη και καλή κατάσταση της ετικέτας προειδοποίησης.
  - Κάθε άλλη κατάσταση που μπορεί να εμποδίσει την ασφαλή και κανονική λειτουργία του μηχανήματος.

Σε περίπτωση που εντοπίσετε προβλήματα, μη χρησιμοποιήσετε τον ηλεκτρικό βιδολόγο ή το μηχανισμό αντιστήριξης αν το πρόβλημα δεν αποκατασταθεί.



**Εικόνα 5A – Στιγμιαίος διακόπτης επαφής ON/OFF δύο βαθμίδων**



**Εικόνα 5B – Στιγμιαίος διακόπτης επαφής ON/OFF δύο βαθμίδων**

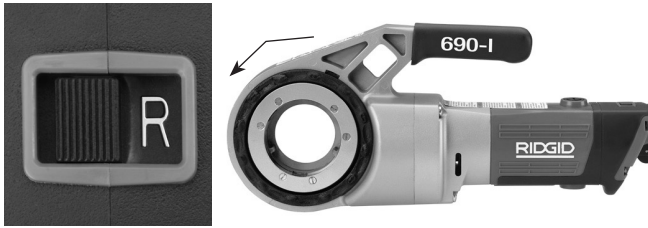
4. Ελέγξτε τις κοπτικές ακμές των μαχαιριών για τυχόν φθορά, παραμόρφωση, σπασίματα ή άλλα προβλήματα. Όταν τα εξαρτήματα κοπής είναι στομωμένα ή φθαρμένα αυξάνεται η δύναμη που απαιτείται, δημιουργούνται σπειρώματα κακής ποιότητας και αυξάνεται ο κίνδυνος τραυματισμού.
5. Ελέγχετε και συντηρείτε τυχόν άλλα εξαρτήματα που χρησιμοποιείτε σύμφωνα με τις αντίστοιχες οδηγίες τους, προκειμένου να διασφαλίσετε τη σωστή τους λειτουργία.
6. Ελέγχετε τη σωστή λειτουργία του ηλεκτρικού βιδολόγου, ακολουθώντας τις οδηγίες ρύθμισης και λειτουργίας.
  - Μετακινήστε το διακόπτη F/R (Δεξιά/αριστερή περιστροφή) στη θέση F. Πατήστε και απελευθερώστε το διακόπτη ON/OFF (Εικόνα 5). Βεβαιωθείτε ότι ο ηλεκτρικός βιδολόγος περιστρέφεται δεξιόστροφα (βλ. Εικόνα 6) και σταματά όταν απελευθερώνεται ο διακόπτης.
  - Επαναλάβετε τη διαδικασία για τη λειτουργία REVERSE (αριστερόστροφη κίνηση). Αν ο ηλεκτρικός βιδολόγος δεν περιστρέφεται στη σωστή κατεύθυνση ή αν ο διακόπτης ON/OFF δεν ελέγχει τη λειτουργία του μηχανήματος, μη χρησιμοποιείτε το μηχάνημα μέχρι να επισκευαστεί.

**ΕΠΙΣΗΜΑΝΣΗ** Αλλάξτε τη θέση του ολισθαίνοντα διακόπτη F/R μόνο αν έχει απελευθερωθεί ο διακόπτης ενεργοποίησης ON/OFF. Πριν αντιστρέψετε την κατεύθυνση με τον ολισθαίνοντα διακόπτη F/R, αφήστε τον ηλεκτρικό βιδολόγο για σταματήσει τελείως. Με τον τρόπο αυτό θα αποφύγετε τον κίνδυνο να προκληθεί ζημιά στον ηλεκτρικό βιδολόγο.

- Πατήστε και κρατήστε πατημένο το διακόπτη ON/OFF. Ελέγξτε τα κινούμενα εξαρτήματα για κακή ευθυγράμμιση, μπλοκάρισμα, περίεργους θορύβους ή άλλες ασυνήθιστες καταστάσεις. Απελευθερώστε το διακόπτη ON/OFF. Αν διαπιστώσετε οποιοδήποτε ασυνήθιστες καταστάσεις, μην χρησιμοποιήσετε το μηχάνημα μέχρι να επισκευαστεί.



Εικόνα 6Α – Θέση διακόπτη F (FORWARD) (δεξιόστροφη)



Εικόνα 6Β – Θέση διακόπτη R (REVERSE) (αριστερόστροφη)

7. Απελευθερώστε το διακόπτη ON/OFF και βγάλτε το μηχανήμα από την πρίζα με στεγνά χέρια.

## Ρύθμιση και λειτουργία

### ⚠ ΠΡΟΕΙΔΟΠΟΙΗΣΗ



Η ρύθμιση και λειτουργία του ηλεκτρικού βιδολόγου πρέπει να γίνεται σύμφωνα με τις ακόλουθες οδηγίες, ώστε να μειώνεται ο κίνδυνος τραυματισμού από ηλεκτροπληξία, εμπλοκή, χτύπημα, σύνθλιψη ή άλλα αίτια και να προλαμβάνεται η πρόκληση ζημιών στον ηλεκτρικό βιδολόγο.

Χρησιμοποιείτε κατάλληλο μηχανισμό αντιστήριξης, σύμφωνα με αυτές τις οδηγίες. Οι μηχανισμοί αντιστήριξης βελτιώνουν τον έλεγχο και μειώνουν τον κίνδυνο χτυπήματος, σύνθλιψης ή/και άλλων τραυματισμών.

Όταν χρησιμοποιείτε μηχανισμό αντιστήριξης διαφορετικό από τον παρεχόμενο βραχίονα αντιστήριξης, ο μηχανισμός θα πρέπει να αντιστηρίζεται στο πλαίσιο μειωτήρα ή στο πλαίσιο ανεμιστήρα. Μηχανισμοί αντιστήριξης που έρχονται σε επαφή με το πλαίσιο του μοτέρ ή τη λαβή ενδέχεται να προκαλέσουν ζημιά στα εξαρτήματα αυτά και να αυξήσουν τον κίνδυνο τραυματισμού.

Κρατάτε πάντα σταθερά τον ηλεκτρικό βιδολόγο κατά την ελικοτόμηση ή την εξαγωγή της φιλιέρας από το σωλήνα ώστε να υπάρχει αντίσταση στις δυνάμεις ελικοτόμησης, ανεξαρτήτως εάν χρησιμοποιείτε και μηχανισμό αντιστήριξης. Με τον τρόπο αυτό θα μειώσετε τον κίνδυνο χτυπήματος, σύνθλιψης και άλλων τραυματισμών.

Μη φοράτε γάντια ή φαρδιά ενδύματα. Τα μανίκια και το μπουφάν σας πρέπει να είναι κουμπωμένα. Τα φαρδιά ενδύματα μπορεί να μπλεχτούν στα περιστρεφόμενα μέρη και να προκαλέσουν τραυματισμό λόγω χτυπήματος ή σύνθλιψης.

Στηρίζετε σωστά το σωλήνα. Με τον τρόπο αυτό θα μειώσετε τον κίνδυνο πτώσης του σωλήνα, ανατροπής και σοβαρού τραυματισμού.

Μη χρησιμοποιείτε τον ηλεκτρικό βιδολόγο εάν δεν λειτουργεί σωστά ο διακόπτης ON/OFF και ο ολισθαίνων διακόπτης F/R.

Ένα άτομο θα πρέπει να ελέγχει τόσο τη διαδικασία της εργασίας όσο και το διακόπτη ON/OFF. Μη χρησιμοποιείτε το μηχανήμα με περισσότερα από ένα άτομα. Σε περίπτωση εμπλοκής, ο χειριστής θα πρέπει να ελέγχει το διακόπτη ON/OFF.

1. Ελέγξτε το χώρο εργασίας ως προς τα εξής:

- Επαρκής φωτισμός.

- Εύφλεκτα υγρά, ατμοί ή σκόνη που ενδέχεται να αναφλεγούν. Αν υπάρχει κάτι από τα παραπάνω, μην εργαστείτε στο συγκεκριμένο χώρο μέχρι να εντοπιστούν οι αιτίες και να αντιμετωπιστεί το πρόβλημα. Οι ηλεκτρικοί βιδολόγοι δεν είναι αντιαεκρηκτικού τύπου και μπορεί να δημιουργήσουν σπινθήρες.

- Καθαρός, επίπεδος, σταθερός και στεγνός χώρος για όλο τον εξοπλισμό και το χειριστή.

- Καλός εξαερισμός. Μη χρησιμοποιείτε παρατεταμένα τον εξοπλισμό σε μικρούς και κλειστούς χώρους.

- Κατάλληλα συνδεδεμένη ηλεκτρική πρίζα με σωστή τάση. Εάν έχετε αμφιβολία, ζητήστε να ελέγξει την πρίζα διπλωματούχος ηλεκτρολόγος.

- Ελεύθερη διαδρομή προς ηλεκτρική πρίζα που δεν περιέχει πιθανές πηγές βλαβών για το ηλεκτρικό καλώδιο.

2. Ελέγξτε το σωλήνα που θα ελικοτομηθεί και τους συναφείς συνδέσμους και βεβαιωθείτε ότι ο ηλεκτρικός βιδολόγος που έχετε επιλέξει είναι το κατάλληλο εργαλείο για την εργασία σας. Βλ. τεχνικά χαρακτηριστικά. Μη χρησιμοποιείτε το μηχανήμα για οτιδήποτε άλλο εκτός από ευθεία υλικά.

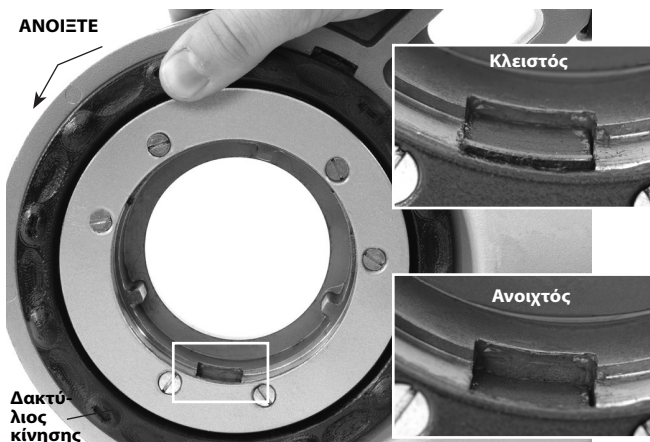
Για άλλες εφαρμογές, μπορείτε να βρείτε εξοπλισμό στον κατάλογο της Ridge Tool, και διαδικτυακά στη διεύθυνση RIDGID.com, ή να καλέσετε το Τμήμα Σέρβις της Ridge Tool στις ΗΠΑ και τον Καναδά στο (800) 519-3456.

3. Βεβαιωθείτε ότι ο εξοπλισμός που θα χρησιμοποιήσετε έχει ελεγχθεί προσεκτικά.

4. Προετοιμάστε κατάλληλα το σωλήνα, όπως απαιτείται. Βεβαιωθείτε ότι ο σωλήνας είναι κομμένος κάθετα και χωρίς ρινίσματα. Σωλήνες κομμένοι υπό γωνία ενδέχεται να προκαλέσουν ζημιά στα μαχαίρια κατά την ελικοτόμηση ή δυσκολίες στη λειτουργία της φιλιέρας.

## Τοποθέτηση φιλιέρων

5. Τοποθέτηση φιλιέρας 1½" ή 2" ή προσαρμογέα στο 690-I:
  - α. Βεβαιωθείτε ότι έχετε απελευθερώσει το διακόπτη ON/OFF και ότι ο ηλεκτρικός βιδολόγος δεν είναι στην πρίζα.
  - β. Περιστρέψτε το δακτύλιο κίνησης αριστερόστροφα για να ανοίξετε το μηχανισμό συγκράτησης. Τοποθετήστε καλά τη φιλιέρα ή τον προσαρμογέα (αν απαιτείται) από την πλευρά του αυλακωτού άκρου μέσα στον ηλεκτρικό βιδολόγο (Εικόνα 7).
  - γ. Απελευθερώστε το δακτύλιο κίνησης και βεβαιωθείτε πως η φιλιέρα/προσαρμογέας έχουν ασφαλίσει.
  - δ. Αφαιρέστε ακολουθώντας την αντίστροφη διαδικασία.

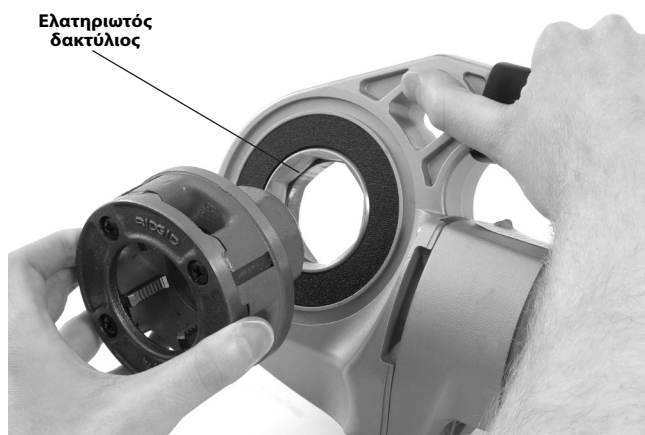


Εικόνα 7 – Μηχανισμός συγκράτησης, δακτύλιος κίνησης στην ανοιχτή/κλειστή θέση



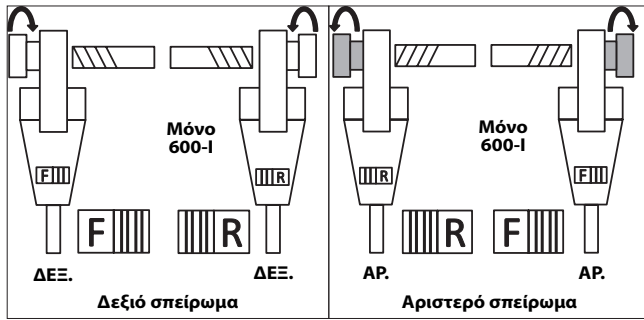
Εικόνα 8 – Τοποθέτηση προσαρμογέα στο 690-I

6. Τοποθέτηση φιλιέρων 1¼" ή μικρότερων:
  - α. Βεβαιωθείτε ότι έχετε απελευθερώσει το διακόπτη ON/OFF και ότι ο ηλεκτρικός βιδολόγος δεν είναι στην πρίζα.
  - β. Αν χρειάζεται, τοποθετήστε προσαρμογέα στο 690-I (Εικόνα 8).
  - γ. Τοποθετήστε κάθετα το οκταγωνικό άκρο της φιλιέρας 11-R στον ηλεκτρικό βιδολόγο μέχρι να ασφαλίσει με τον ελατηριωτό δακτύλιο. Στο 600-I, η φιλιέρα μπορεί να εισαχθεί σε οποιαδήποτε από τις δύο πλευρές του ηλεκτρικού βιδολόγου. Στο 690-I, οι φιλιέρες εισάγονται μόνο από την πλευρά του προσαρμογέα.
  - δ. Για να αφαιρέσετε τη φιλιέρα, τραβήξτε την από τον ηλεκτρικό βιδολόγο. Αν χρειάζεται, χρησιμοποιήστε ένα μαλακό σφυρί ή ένα κομμάτι ξύλο για να βγάλετε τη φιλιέρα με μικρά χτυπηματάκια. Μη χτυπάτε δυνατά τη φιλιέρα γιατί μπορεί να προκαλέσετε ζημιά στο εργαλείο.



Εικόνα 9 – Τοποθέτηση φιλιέρων στον ηλεκτρικό βιδολόγο 600-I

7. Τοποθετήστε τον ολισθαίνοντα διακόπτη F/R στην κατάλληλη θέση για δεξιό ή αριστερό σπείρωμα. Βλ. Εικόνα 10.



**Εικόνα 10 – Προσανατολισμός ολισθαίνοντα διακόπτη/φιλιάρας**

8. Βεβαιωθείτε ότι ο σωλήνας που θα ελικοτομηθεί βρίσκεται σε σταθερή και ασφαλισμένη θέση για να αποφύγετε τυχόν ανατροπή κατά τη χρήση. Χρησιμοποιήστε τα κατάλληλα στηρίγματα για υποστήριξη του σωλήνα σε όλο το μήκος του.
9. Ελέγξτε τη στάθμη του λαδιού κοπής σπειρωμάτων RIDGID στο λαδικό RIDGID 418. Αφαιρέστε το δίσκο υπολειμμάτων και βεβαιωθείτε ότι το διάφραγμα του φίλτρου είναι καθαρό και πλήρως βυθισμένο στο λάδι. Αναπληρώστε ή προσθέστε λάδι, όπως απαιτείται. Τοποθετήστε το δοχείο του λαδικού 418 κάτω από το άκρο του σωλήνα που θα ελικοτομήσετε.

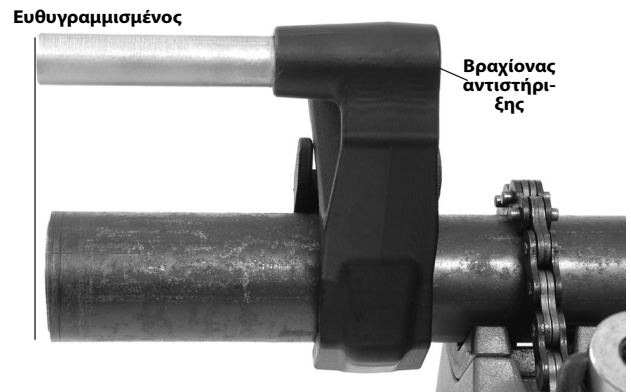
### Αντίσταση στις δυνάμεις ελικοτόμησης

Χρήση του παρεχόμενου βραχίονα αντιστήριξης:

- α. Χρησιμοποιείτε πάντα τον παρεχόμενο βραχίονα αντιστήριξης (βραχίονας αντιστήριξης 601 ή 602 για το μοντέλο 600-I, βραχίονας αντιστήριξης 691 ή 692 για το μοντέλο 690-I), εκτός εάν δεν μπορεί να χρησιμοποιηθεί λόγω χώρου ή άλλων περιορισμών. Ο βραχίονας αντιστήριξης στερεώνεται στο σωλήνα και συμβάλλει στην αντίσταση στις δυνάμεις ελικοτόμησης.
- β. Τοποθετήστε το βραχίονα αντιστήριξης στο σωλήνα, έτσι ώστε το άκρο του βραχίονα να βρίσκεται σε ευθεία γραμμή με το άκρο του σωλήνα και το πάνω μέρος του βραχίονα αντιστήριξης να είναι οριζόντιο (Εικόνα 11). Με τον τρόπο αυτό, τοποθετείται σωστά ο βραχίονας αντιστήριξης για την ελικοτόμηση και αποφεύγεται η διαρροή του λαδιού ελικοτόμησης προς το μοτέρ (Εικόνα 12).
- γ. Βεβαιωθείτε ότι οι σιαγόνες του βραχίονα αντιστήριξης βρίσκονται σε ευθεία γραμμή κάθετα στο σωλήνα και στερεώνουν καλά το βραχίονα αντιστήριξης.



**Εικόνα 11Α – Τοποθέτηση του βραχίονα αντιστήριξης**



**Εικόνα 11Β – Τοποθέτηση του βραχίονα αντιστήριξης**



**Εικόνα 12 – Σωστός προσανατολισμός του ηλεκτρικού βιδολόγου**

Όταν δεν είναι δυνατή η χρήση βραχίονα αντιστήριξης:

Σε επί τόπου ελικοτόμηση ή σε παρόμοιες εφαρμογές, η χρήση του βραχίονα αντιστήριξης ενδέχεται να μην είναι δυνατή λόγω περιορισμών στο χώρο.

α. Αν είναι δυνατό, αφαιρέστε το σωλήνα και πραγματοποιήστε την ελικοτόμηση σε μέγγενη. Αν αυτό δεν είναι δυνατό, μπορείτε να χρησιμοποιήσετε άλλους τρόπους στήριξης για αντίσταση στις δυνάμεις ελικοτόμησης, όπως τη στήριξη του πλαισίου του μειωτήρα ή του ανεμιστήρα σε παρακείμενο δομικό στοιχείο (π.χ. τοίχο, δοκίδα ή δοκό). Στην περίπτωση αυτή, ο σωλήνας και ο περιβάλλον χώρος πρέπει να αντέχουν το βάρος του εργαλείου και τις δυνάμεις ελικοτόμησης. Ενδέχεται να απαιτείται η προσθήκη προσωρινών ή μόνιμων στηριγμάτων σωλήνα ή δομικών στοιχείων.

β. Για δεξιά ελικοτόμηση, η φιλιέρα λειτουργεί δεξιόστροφα (κοιτώντας την όψη της φιλιέρας). Οι δυνάμεις από τη ροπή ελικοτόμησης θα αναπτύσσονται στην αντίθετη, δηλαδή αριστερόστροφη, κατεύθυνση. Η περιστροφή και οι δυνάμεις θα είναι αντίστροφες στην περίπτωση αριστερής ελικοτόμησης. Βεβαιωθείτε ότι έχετε τοποθετήσει μηχανισμό αντιστήριξης ο οποίος απορροφά κατάλληλα τις δυνάμεις ελικοτόμησης.

γ. Μη στηρίζετε το μοτέρ ή τη λαβή του ηλεκτρικού βιδολόγου σε παρακείμενα δομικά στοιχεία για αντίσταση στις δυνάμεις ελικοτόμησης, καθώς με τον τρόπο αυτό ενδέχεται να προκληθούν ζημιές στον ηλεκτρικό βιδολόγο.

δ. Στηρίξτε τον ηλεκτρικό βιδολόγο στο δομικό στοιχείο και μην τοποθετείτε τα δάχτυλα ή τα χέρια σας ανάμεσα στο βιδολόγο και το δομικό στοιχείο. Κατά την εξαγωγή της φιλιέρας από το σπειρώμα, κρατάτε πάντα σταθερά τον ηλεκτρικό βιδολόγο για αντίσταση στις δυνάμεις που αναπτύσσονται από τη θραύση των κομματιών μετάλλου. Με αυτά τα βήματα θα μειώσετε τον κίνδυνο χτυπήματος, σύνθλιψης και άλλων τραυματισμών. Για να σταματήσετε τη λειτουργία του ηλεκτρικού βιδολόγου, μπορείτε να πατήσετε το διακόπτη ON/OFF ανά πάσα στιγμή.

Κρατάτε πάντα σταθερά τον ηλεκτρικό βιδολόγο κατά την ελικοτόμηση ή την εξαγωγή της φιλιέρας από τον σωλήνα, ώστε να υπάρχει αντίσταση στις δυνάμεις που αναπτύσσονται, ανεξαρτήτως εάν χρησιμοποιείτε και μηχανισμό αντιστήριξης. Με τον τρόπο αυτό θα μειώσετε τον κίνδυνο χτυπήματος, σύνθλιψης και άλλων τραυματισμών. Για να σταματήσετε τη λειτουργία του ηλεκτρικού βιδολόγου, μπορείτε να πατήσετε τον διακόπτη ON/OFF (ενεργοποίηση/απενεργοποίηση) ανά πάσα στιγμή.

## Ελικοτόμηση

10. Συνδέστε τον ηλεκτρικό βιδολόγο στην πρίζα με στεγνά χέρια.
11. Τοποθετήστε τη φιλιέρα πάνω στο άκρο του σωλήνα και στηρίξτε τον ηλεκτρικό βιδολόγο, σύμφωνα με τις οδηγίες στην ενότητα για την αντίσταση στις δυνάμεις ελικοτόμησης.



Εικόνα 13 – Έναρξη ελικοτόμησης

12. Πατήστε το διακόπτη ON/OFF και ταυτόχρονα πιέστε το κάλυμμα της φιλιέρας με την παλάμη του ελεύθερου χεριού σας για να ξεκινήσει η ελικοτόμηση. Μη φοράτε γάντια ή κοσμήματα και μη χρησιμοποιείτε πανιά όταν πιέζετε το κάλυμμα, γιατί αυξάνεται ο κίνδυνος να πιαστούν στο εργαλείο και να τραυματιστείτε. Μόλις τα μαχαίρια αρχίσουν να λειτουργούν στο σωλήνα, θα κόβονται σπειρώματα μέχρι τα μαχαίρια φτάσουν στο τέλος του σωλήνα.

Κρατάτε πάντα σταθερά τη λαβή του ηλεκτρικού βιδολόγου για αντίσταση στις δυνάμεις που αναπτύσσονται στη λαβή. Οι μηχανισμοί αντιστήριξης μπορεί να γλιστρήσουν με αποτέλεσμα να μετακινηθεί ο ηλεκτρικός βιδολόγος. Για να σταματήσετε τη λειτουργία του ηλεκτρικού βιδολόγου, μπορείτε να πατήσετε το διακόπτη ON/OFF ανά πάσα στιγμή.

13. Σταματήστε να πιέζετε το κάλυμμα και χρησιμοποιήστε το λαδικό για να ρίξετε αρκετή ποσότητα λαδιού κοπής σπειρωμάτων RIDGID στην περιοχή ελικοτόμησης. Με τον τρόπο αυτό μειώνεται η ροπή ελικοτόμησης, βελτιώνεται η ποιότητα του σπειρώματος και αυξάνεται η διάρκεια ζωής του μαχαιριού.





Εικόνα 14 – Ελικοτόμηση σωλήνα

14. Πατήστε το διακόπτη ON/OFF μέχρι το άκρο του σωλήνα να βρεθεί σε ευθεία με το άκρο των μαχαιριών και απελευθερώστε το διακόπτη. Αφήστε τον ηλεκτρικό βιδολόγο να σταματήσει εντελώς.



Εικόνα 15 – Σωλήνας στο ίδιο επίπεδο με το άκρο των μαχαιριών

15. Αντιστρέψτε τον ολισθαίνοντα διακόπτη F/R και ενεργοποιήστε το διακόπτη ON/OFF για να βγάλετε τη φιλιέρα από το σωλήνα ελικοτόμησης. Κρατήστε σταθερά τη λαβή του ηλεκτρικού βιδολόγου για αντίσταση στις δυνάμεις που αναπτύσσονται στη λαβή κατά την εξαγωγή της φιλιέρας.

#### ΕΠΙΣΗΜΑΝΣΗ

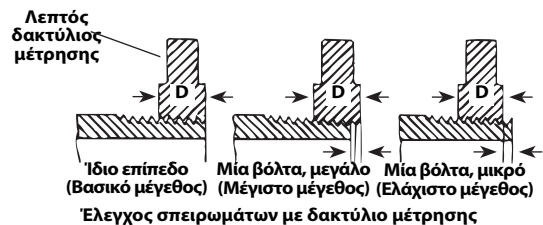
Αλλάξτε τη θέση του ολισθαίνοντα διακόπτη F/R μόνο αν έχει απελευθερωθεί ο διακόπτης ON/OFF. Πριν αντιστρέψετε την κατεύθυνση με τον ολισθαίνοντα διακόπτη F/R, αφήστε τον ηλεκτρικό βιδολόγο για σταμάτησε τελείως. Με τον τρόπο αυτό θα αποφύγετε τον κίνδυνο να προκληθεί ζημιά στον ηλεκτρικό βιδολόγο.

16. Απελευθερώστε το διακόπτη και αφαιρέστε τον ηλεκτρικό βιδολόγο και τη φιλιέρα από το σωλήνα.

17. Βγάλτε τον ηλεκτρικό βιδολόγο από την πρίζα με στεγνά χέρια.
18. Σκουπίστε το λάδι και τα υπολείμματα από τα σπειρώματα και από τη φιλιέρα, φροντίζοντας να μην κοπείτε στα αιχμηρά μεταλλικά υπολείμματα ή στις ακμές. Καθαρίστε το λάδι που έχει χυθεί στην περιοχή εργασίας.

#### Έλεγχος σπειρωμάτων

1. Αφαιρέστε τυχόν λάδια, κομματάκια μετάλλου ή υπολείμματα από το σπείρωμα.
  2. Ελέγξτε το σπείρωμα οπτικά. Τα σπειρώματα πρέπει να είναι ομαλά και εντελή, σε καλή μορφή. Σε περίπτωση που παρατηρούνται προβλήματα όπως κοψίματα στο σπείρωμα, λεπτά σπειρώματα ή μη ελικοειδής επιφάνεια σωλήνα, το σπείρωμα ενδέχεται να μη σφραγίζει όταν δημιουργηθεί. Ανατρέξτε στον πίνακα για την "Επίλυση προβλημάτων" για βοήθεια στη διάγνωση αυτών των προβλημάτων.
  3. Ελέγξτε το μέγεθος του σπειρώματος. Η προτιμητέα μέθοδος για τον έλεγχο του μεγέθους του σπειρώματος είναι ο δακτύλιος μέτρησης. Υπάρχουν διάφορα είδη δακτυλίων μέτρησης και η χρήση τους μπορεί να διαφέρει από τη χρήση που περιγράφεται στην Εικόνα 16.
- Βιδώστε και σφίξτε με το χέρι το δακτύλιο μέτρησης στο σπείρωμα.
  - Δείτε πόσο εκτείνεται το άκρο του σωλήνα μέσα από το δακτύλιο μέτρησης. Το άκρο του σωλήνα πρέπει να είναι στο ίδιο επίπεδο με την πλευρά του μετρητή συν ή πλην μια βόλτα. Αν η μέτρηση του σπειρώματος δεν είναι σωστή, κόψτε το σπείρωμα, ρυθμίστε τη φιλιέρα και πραγματοποιήστε άλλη ελικοτόμηση. Η χρήση σπειρώματος που δεν έχει σωστή μέτρηση μπορεί να προκαλέσει διαρροές.



Εικόνα 16 – Έλεγχος μεγέθους σπειρώματος

- Εάν δεν διαθέτετε δακτύλιο μέτρησης για να ελέγξετε το μέγεθος του σπειρώματος, μπορείτε να χρησιμοποιήσετε έναν καινούργιο καθαρό σύνδεσμο σαν αυτούς που χρησιμοποιούνται στις αντίστοιχες εργασίες για να μετρήσετε το μέγεθος των σπειρωμάτων. Για σπειρώματα NPT 2" και κάτω, τα σπειρώματα θα πρέπει να κόβονται ώστε να έχουν 4 έως 5 βόλτες για σφίξιμο με το χέρι με το σύνδεσμο, ενώ για σπειρώματα BSPT 2" και κάτω, οι βόλτες θα πρέπει να είναι 3.

## Οδηγίες συντήρησης

### ⚠ ΠΡΟΕΙΔΟΠΟΙΗΣΗ

**Βεβαιωθείτε ότι ο διακόπτης ON/OFF έχει απελευθερωθεί και ότι το μηχάνημα έχει βγει από την πρίζα, πριν εκτελέσετε οποιαδήποτε εργασία συντήρησης ή ρύθμισης.**

**Η συντήρηση του μηχανήματος πρέπει να γίνεται σύμφωνα με τις ακόλουθες οδηγίες, για να μειώσετε τον κίνδυνο τραυματισμού από ηλεκτροπληξία, παγίδευση ή άλλα αίτια.**

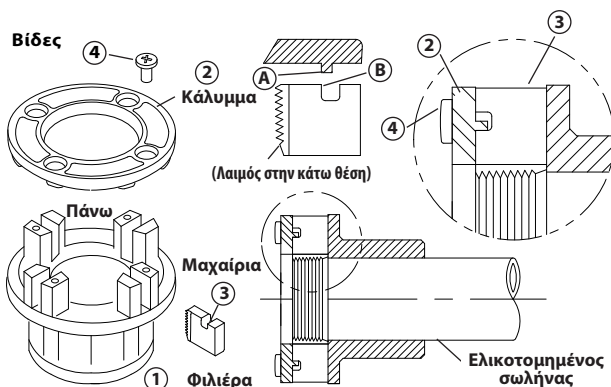
### Καθαρισμός

1. Μετά από κάθε χρήση, αδειάστε τα υπολείμματα της ελικοτόμησης από το δίσκο υπολειμμάτων του λαδικού 418 και σκουπίστε τυχόν υπολείμματα λαδιού.
2. Καθαρίστε τον ηλεκτρικό βιδολόγο από τυχόν λάδια, γράσα, μεταλλικά υπολείμματα ή ακαθαρσίες, συμπεριλαμβανομένων των λαβών και κουμπιών. Καθαρίστε το μηχανισμό συγκράτησης του 690-I.
3. Σκουπίστε τυχόν λάδια, γράσα ή ακαθαρσίες από το βραχίονα αντιστήριξης. Αν χρειάζεται, καθαρίστε τις σιαγόνες του βραχίονα αντιστήριξης με συρματένια βούρτσα.
4. Αφαιρέστε από τις φιλιέρες τα μεταλλικά υπολείμματα και τις ακαθαρσίες.

### Αλλαγή μαχαιριών σε φιλιέρες 11-R

Διατίθεται μια σειρά από μαχαιρία για τοποθέτηση στις φιλιέρες RIDGID 11-R. Βλ. τον κατάλογο για διαθεσιμότητα.

1. Αφαιρέστε τις τέσσερις βίδες (4) από το καπάκι (2) και αφαιρέστε το κάλυμμα.
2. Αφαιρέστε τα παλιά μαχαιρία (3) από τη φιλιέρα.
3. Τοποθετήστε νέα μαχαιρία στις υποδοχές – με την πλευρά του αριθμού προς τα πάνω. Οι αριθμοί στα μαχαιρία πρέπει να αντιστοιχούν με τους αριθμούς στις υποδοχές της φιλιέρας. Αντικαθιστάτε πάντα τα μαχαιρία ως σετ.



Εικόνα 17 – Τοποθέτηση μαχαιριών στη φιλιέρα

4. Αντικαταστήστε το κάλυμμα και σφίξτε ελαφρά τις τέσσερις βίδες.
5. Τοποθετήστε τη φιλιέρα σε ήδη ελικοτομημένο σωλήνα μέχρι να αρχίσουν τα μαχαιρία την ελικοτόμηση. Με τον τρόπο αυτό, τα μαχαιρία σταματούν αναγκαστικά (4) προς τα έξω πάνω στις προεξοχές (4) του καλύμματος και ρυθμίζεται σωστά το μέγεθος.
6. Σφίξτε καλά τις τέσσερις βίδες. Αφαιρέστε τον ελικοτομημένο σωλήνα και εκτελέστε μια δοκιμαστική κοπή.

### Αντικατάσταση ψήκτρων σε μοτέρ

Ελέγχετε τις ψήκτρες του μοτέρ κάθε 6 μήνες. Αντικαθιστάτε μόλις φθαρούν και γίνουν κάτω από 5/16" (8 mm).



Εικόνα 18 – Τοποθέτηση ψήκτρας

1. Βγάλτε το μηχάνημα από την πρίζα.
2. Ξεβιδώστε τις τάπες της ψήκτρας (Εικόνες 1 και 2). Αφαιρέστε και ελέγξτε τις ψήκτρες. Αντικαθιστάτε μόλις φθαρούν και γίνουν κάτω από 5/16" (8 mm). Ελέγξτε το συλλέκτη για φθορά. Αν είναι φθαρμένος υπερβολικά, δώστε το μηχάνημα για σέρβις.
3. Τοποθετήστε και πάλι τις ψήκτρες/τοποθετήστε νέες ψήκτρες και σφίξτε καλά τις τάπες ψήκτρας.
4. Πριν τη χρήση, είναι καλό να αφήνετε τη μονάδα να λειτουργήσει στο ρελαντί για 15 λεπτά στη δεξιά κατεύθυνση και στη συνέχεια για 15 λεπτά στην αριστερή, ώστε να εφαρμόσουν οι ψήκτρες στο συλλέκτη.

### Βοηθητικά εξαρτήματα

#### ⚠ ΠΡΟΕΙΔΟΠΟΙΗΣΗ

**Προκειμένου να μειωθεί ο κίνδυνος σοβαρού τραυματισμού, χρησιμοποιείτε μόνο τα βοηθητικά εξαρτήματα που είναι ειδικά σχεδιασμένα και συνιστώνται για χρήση με τους ηλεκτρικούς βιδολόγους 600-I και 690-I, όπως αυτά που αναφέρονται παρακάτω. Άλλα βοηθητικά εξαρτήματα που είναι κατάλληλα για χρήση με άλλα εργαλεία ενδέχεται να είναι επικίνδυνα όταν χρησιμοποιούνται στους ηλεκτρικούς βιδολόγους 600-I και 690-I.**

## Βοηθητικά εξαρτήματα ηλεκτρικού βιδολόγου 600-I και 690-I

Αρ. καταλόγου	Περιγραφή
45923	Βραχίονας αντιστήριξης 602
45928	Βραχίονας αντιστήριξης 692
46668	Κασετίνα 600-I
46673	Κασετίνα 690-I
10883	Λαδικό 418 με 1 γαλόνι (3,8 λίτρα) λάδι Nu-Clear
16703	Μέγγενη TRISTAND 425 1/8" - 2 1/2"
36273	Μέγγενη TRISTAND 460-6 1/8" - 6"
45543	Ψήκτρες 115V
45588	Ψήκτρες 230V

Για περισσότερες πληροφορίες σχετικά με τα βοηθητικά εξαρτήματα που είναι ειδικά σχεδιασμένα για το εργαλείο, ανατρέξτε στον κατάλογο της RIDGID και διαδικτυακά στη διεύθυνση RIDGID.com

## Αποθήκευση μηχανήματος

**▲ ΠΡΟΕΙΔΟΠΟΙΗΣΗ** Οι ηλεκτρικοί βιδολόγοι πρέπει να φυλάσσονται σε εσωτερικό χώρο ή να καλύπτονται καλά όταν βρέχει. Το μηχάνημα πρέπει να φυλάσσεται σε κλειδωμένο χώρο μακριά από παιδιά και άτομα που δεν είναι εξοικειωμένα με το χειρισμό μηχανημάτων. Τα μηχανήματα αυτά μπορεί να προκαλέσουν σοβαρό τραυματισμό στα χέρια ανειδίκευτων χρηστών.

## Σέρβις και επισκευή

### ▲ ΠΡΟΕΙΔΟΠΟΙΗΣΗ

**Ακατάλληλο σέρβις ή επισκευή μπορεί να καταστήσει το μηχάνημα μη ασφαλές για λειτουργία.**

Στις "Οδηγίες συντήρησης" περιλαμβάνονται οι περισσότερες ανάγκες σέρβις αυτού του μηχανήματος. Προβλήματα που δεν αναφέρονται σ' αυτή την ενότητα πρέπει να αντιμετωπίζονται μόνο από εξουσιοδοτημένους τεχνικούς σέρβις της RIDGID.

Το εργαλείο θα πρέπει να αποστέλλεται σε ανεξάρτητο εξουσιοδοτημένο κέντρο σέρβις της RIDGID ή να επιστρέφεται στο εργοστάσιο. Χρησιμοποιείτε μόνο ανταλλακτικά RIDGID.

Για πληροφορίες σχετικά με το πλησιέστερο ανεξάρτητο εξουσιοδοτημένο κέντρο σέρβις της RIDGID στην περιοχή σας, ή για απορίες σχετικά με το σέρβις ή τις επισκευές:

- Επικοινωνήστε με τον τοπικό διανομέα RIDGID.
- Επισκεφθείτε τη διεύθυνση RIDGID.com για να βρείτε το πλησιέστερο σημείο επαφής της RIDGID στην περιοχή σας.
- Επικοινωνήστε με το Τμήμα Σέρβις της Ridge Tool στην ηλεκτρονική διεύθυνση [rtctechservices@emerson.com](mailto:rtctechservices@emerson.com) ή για ΗΠΑ και Καναδά καλέστε στο (800) 519-3456.

## Λάδι ελικοτόμησης

Για πληροφορίες σχετικά με τη χρήση και το χειρισμό του λαδιού κοπής σπειρωμάτων RIDGID®, ανατρέξτε στις ετικέτες του δοχείου και στο δελτίο δεδομένων ασφαλείας υλικού (MSDS). Μπορείτε να βρείτε το MSDS στη διεύθυνση RIDGID.com ή να επικοινωνήσετε με το Τμήμα Σέρβις της Ridge Tool στο (800) 519-3456 στις ΗΠΑ και τον Καναδά, ή τη διεύθυνση ηλεκτρονικού ταχυδρομείου [rtctechservices@emerson.com](mailto:rtctechservices@emerson.com).

## Απόρριψη

Τα εξαρτήματα των ηλεκτρικών βιδολόγων περιέχουν πολύτιμα υλικά και μπορούν να ανακυκλωθούν. Εταιρείες ανακύκλωσης υπάρχουν και κατά τόπους. Πρέπει να απορρίπτετε τα εξαρτήματα σύμφωνα με όλους τους ισχύοντες κανονισμούς. Επικοινωνήστε με την υπηρεσία διαχείρισης απορριμμάτων της περιοχής σας για περισσότερες πληροφορίες.



**Για χώρες της ΕΚ:** Μην απορρίπτετε τον ηλεκτρικό εξοπλισμό μαζί με τα οικιακά απορρίμματα!

Σύμφωνα με την Ευρωπαϊκή Οδηγία 2012/19/ - ΕΕ σχετικά με τα απόβλητα ηλεκτρικού και ηλεκτρονικού εξοπλισμού και την ενσωμάτωσή της στην εθνική νομοθεσία, ο ηλεκτρικός εξοπλισμός που δεν μπορεί πλέον να χρησιμοποιηθεί πρέπει να συλλέγεται ξεχωριστά και να απορρίπτεται με τρόπο φιλικό προς το περιβάλλον.

## Επίλυση προβλημάτων

ΣΥΜΠΤΩΜΑ	ΠΙΘΑΝΕΣ ΑΙΤΙΕΣ	ΕΠΙΛΥΣΗ
<p><b>Το μηχάνημα δεν λειτουργεί.</b></p> <p><b>Το μηχάνημα δεν ελικοτομεί.</b></p>	<p>Οι ψήκτρες δεν έρχονται σε επαφή με τον σπλισμό.</p> <p>Στομωμένα μαχαίρια.</p> <p>Υπερφόρτωση λόγω κομμένων ή μη ελικοειδών σπειρωμάτων.</p> <p>Κακής ποιότητας ή ανεπαρκές λάδι κοπής σπειρωμάτων.</p> <p>Ανεπαρκής τάση γραμμής.</p>	<p>Ελέγξτε τις ψήκτρες, αντικαταστήστε αν έχουν φθαρεί.</p> <p>Αντικαταστήστε τα μαχαίρια.</p> <p>Βλ. πιθανές αιτίες παρακάτω.</p> <p>Χρησιμοποιήστε επαρκή ποσότητα λαδιού κοπής σπειρωμάτων RIDGID®.</p> <p>Ελέγξτε την τάση παροχής.</p>
<p><b>Δημιουργούνται σπινθήρες στο συλλέκτη του μοτέρ.</b></p>	<p>Ανεπαρκής επαφή ανάμεσα στις ψήκτρες και το συλλέκτη.</p> <p>Οι ψήκτρες δεν έρχονται σε καλή επαφή με το συλλέκτη.</p> <p>Ψήκτρες διαφορετικής κατασκευής.</p> <p>Νέες ψήκτρες.</p>	<p>Σφίξτε τις τάπες ψήκτρων για να διασφαλίσετε πως οι ψήκτρες θα πιέζονται σταθερά πάνω στο συλλέκτη.</p> <p>Αντικαταστήστε τις φθαρμένες ψήκτρες και/ή τον σπλισμό.</p> <p>Χρησιμοποιείτε μόνο ψήκτρες RIDGID®.</p> <p>Εφαρμόστε τις ψήκτρες λειτουργώντας τη μονάδα στο ρελαντί για 15 λεπτά στη δεξιά και αριστερή περιστροφή.</p>
<p><b>Η φιλιέρα δεν ξεκινά την ελικοτόμηση.</b></p>	<p>Η φιλιέρα δεν ταιριάζει καλά με το άκρο του σωλήνα.</p> <p>Δεν εφαρμόζεται σωστά η δύναμη ενεργοποίησης στη φιλιέρα.</p> <p>Το άκρο του σωλήνα δεν είναι κομμένο κάθετα.</p> <p>Στομωμένα ή σπασμένα μαχαίρια.</p> <p>Το μηχάνημα λειτουργεί στη λάθος κατεύθυνση.</p> <p>Τα μαχαίρια έχουν ρυθμιστεί εσφαλμένα στη φιλιέρα.</p>	<p>Πιέστε το κάλυμμα της φιλιέρας για να ξεκινήσει η ελικοτόμηση.</p> <p>Εφαρμόστε δύναμη ενεργοποίησης μέσω της κεντρικής γραμμής του σωλήνα.</p> <p>Κόψτε το άκρο του σωλήνα κάθετα.</p> <p>Αντικαταστήστε τα μαχαίρια.</p> <p>Ελέγξτε τη θέση του ολισθαίνοντα διακόπτη F/R.</p> <p>Βεβαιωθείτε πως τα μαχαίρια είναι ρυθμισμένα προς τα έξω, πάνω στις προεξοχές του καλύμματος.</p>
<p><b>Κομμένα σπειρώματα.</b></p>	<p>Κατεστραμμένα, ξεφτισμένα ή φθαρμένα μαχαίρια.</p> <p>Ακατάλληλο ή ανεπαρκές λάδι κοπής σπειρωμάτων.</p> <p>Λάθος τύπος μαχαιριού για το συγκεκριμένο υλικό.</p> <p>Κακή ποιότητα υλικού σωλήνα.</p>	<p>Αντικαταστήστε τα μαχαίρια.</p> <p>Χρησιμοποιήστε μόνο λάδι κοπής σπειρωμάτων RIDGID® σε επαρκή ποσότητα.</p> <p>Επιλέξτε μαχαίρια υψηλής ταχύτητας από ανοξείδωτο χάλυβα ή κράμα, κατάλληλα για τη συγκεκριμένη εφαρμογή.</p> <p>Χρησιμοποιήστε σωλήνα υψηλότερης ποιότητας.</p>
<p><b>Μη ελικοειδή ή χτυπημένα σπειρώματα.</b></p> <p><b>Ο μηχανισμός αντιστήριξης στρέφεται κατά την ελικοτόμηση.</b></p>	<p>Το τοίχωμα του σωλήνα είναι πολύ λεπτό.</p> <p>Ακαθαρσίες στις σιαγόνες του βραχίονα αντιστήριξης.</p> <p>Ο βραχίονας αντιστήριξης δεν είναι σωστά ευθυγραμμισμένος.</p> <p>Ο βραχίονας αντιστήριξης δεν είναι σφιγμένος.</p>	<p>Χρησιμοποιήστε πάχος τοιχωμάτων 40 ή μεγαλύτερο.</p> <p>Καθαρίστε με συρμάτινη βούρτσα.</p> <p>Ευθυγραμμίστε σωστά το βραχίονα αντιστήριξης σε σχέση με το σωλήνα.</p> <p>Σφίξτε τον κοχλία.</p>
<p><b>Λεπτά σπειρώματα.</b></p>	<p>Τα μαχαίρια δεν έχουν τοποθετηθεί στη σωστή σειρά.</p>	<p>Τοποθετήστε τα μαχαίρια στη σωστή υποδοχή της φιλιέρας.</p>

## 600-I/690-I



### **⚠ UPOZORENJE!**

Pažljivo pročitajte ove upute prije uporabe alata. Ne-poštivanje Uputa iz ovog priručnika može imati za posljedicu strujni udar, požar i/ili teške tjelesne ozljede.

#### **600-I/690-I alati**

U donji okvir upišite serijski broj s natpisne pločice proizvoda i sačuvajte ga za buduće potrebe.

Serijski  
br.

--	--

## Sadržaj

<b>Formular za pohranjivanje serijskog broja stroja</b> .....	275
<b>Sigurnosni simboli</b> .....	277
<b>Opća sigurnosna upozorenja za električni alat</b> .....	277
Sigurnost radnog područja.....	277
Zaštita od struje.....	277
Osobna zaštita .....	278
Korištenje i briga o električnom alatu .....	278
Servisiranje .....	279
<b>Posebne sigurnosne informacije</b> .....	279
Sigurnost električne nareznice.....	279
<b>Opis, tehnički podaci i standardna oprema</b> .....	279
Opis .....	279
Standardna oprema .....	280
Tehničke karakteristike.....	281
<b>Provjera prije uporabe</b> .....	281
<b>Namještanje i rad</b> .....	282
Ugradnja nareznih glava.....	283
Otpor sili nareza .....	284
Narezivanje.....	285
Pregled nareza .....	286
<b>Upute za održavanje</b> .....	286
Čišćenje .....	287
Zamjena noževa u nareznim glavama 11-R.....	287
Zamjena četki u motoru.....	287
<b>Pribori</b> .....	288
<b>Skladištenje stroja</b> .....	288
<b>Servisiranje i popravak</b> .....	288
<b>Ulje za narezivanje</b> .....	288
<b>Zbrinjavanje</b> .....	288
<b>Otklanjanje grešaka</b> .....	289
<b>EU Izjava o sukladnosti</b> .....	Unutarnja strana stražnje stranice
<b>Cjeloživotno jamstvo</b> .....	Poledina

\* Prijevod originalnih uputa

## Sigurnosni simboli

U ovom radnom priručniku i na samom proizvodu sigurnosni se simboli i signalne riječi koriste za prijenos važnih sigurnosnih informacija. Ovaj odjeljak služi za poboljšavanje razumijevanja tih signalnih simbola i riječi.



Ovo je znak sigurnosnog upozorenja, koji upozorava na potencijalnu opasnost od tjelesnih ozljeda. Da biste spriječili tjelesne ozljede i smrtni ishod, pridržavajte se svih sigurnosnih poruka koje slijede ovaj znak.

### ⚠ OPASNOST

OPASNOST ukazuje na opasnu situaciju koja, ako se ne izbjegne, može rezultirati teškim ozljedama ili smrtnim ishodom.

### ⚠ UPOZORENJE

UPOZORENJE označava opasnu situaciju koja, ako se ne izbjegne, može rezultirati teškim ozljedama ili smrtnim ishodom.

### ⚠ OPREZ

OPREZ označava opasnu situaciju koja, ako se ne izbjegne, može rezultirati lakšim ili srednje teškim ozljedama.

### NAPOMENA

NAPOMENA ukazuje na informacije vezane uz zaštitu imovine.



Ovaj znak Vas upozorava da prije korištenja opreme pažljivo pročitate korisnički priručnik. Korisnički priručnik sadrži važne informacije o sigurnosti i ispravnom radu opreme.



Ovaj znak upozorava na obveznu uporabu zaštitne maske ili zaštitnih naočala s bočnim štitnicima prilikom rukovanja ili korištenja ove opreme, kako bi se izbjegla opasnost od ozljeda očiju.



Ovaj znak upozorava da pokretni dijelovi uređaja mogu prignječiti i zahvatiti ruke, prste i druge dijelove tijela.



Ovaj znak označava opasnost od električnog udara.



Ovaj simbol označava opasnost od prevrtanja stroja zbog čega može doći do ozljeda uslijed udarca ili gnječenja.



Ovaj simbol znači da ne nosite rukavice dok radite za ovim strojem kako biste smanjili rizik od zapletaja.



Ovaj simbol označava korištenje naprave za podupiranje za sprječavanje utjecaja sile nareza, poboljšanje kontrole i smanjenje opasnosti od udaranja, nagnječenja i/ili drugih ozljeda.

## Opća sigurnosna upozorenja za električni alat\*

### ⚠ UPOZORENJE

**Pročitajte sva sigurnosna upozorenja, upute, ilustracije i specifikacije koje ste dobili s ovim električnim alatom. Nepoštivanje uputa može za posljedicu imati strujni udar, požar i/ili tešku tjelesnu ozljedu.**

### SAČUVAJTE SVA UPOZORENJA I UPUTE KAO BUDUĆU REFERENCU!

Termin "električni alat" u upozorenjima se odnosi na vaš električni aparat koji se priključuje na izvor napona (sa kabelom) ili električni aparat koji radi na baterije (bežični).

### Sigurnost radnog područja

- **Održavajte radno područje čistim i dobro osvijetljenim.** Neuredna ili mračna područja pogoduju nezgodama.

- **Nemojte raditi s električnim alatom u eksplozivnom okruženju, kao što su ona u kojima postoje zapaljive tekućine, plinovi ili prašina.** Električni alati stvaraju iskre koje mogu zapaliti prašinu ili plinove.

- **Držite djecu i posjetitelje daleko za vrijeme rada električnog alata.** Ometanje vam može odvratiti pozornost i dovesti do gubitka kontrole.

### Zaštita od struje

- **Utikači električnog alata moraju odgovarati utičnici. Ni na koji način nemojte modificirati utikač. Utikače s adapterom nemojte koristiti s uzemljenim alatima.** Utikače koje niste mijenjali i odgovarajuće utičnice smanjuju opasnost od strujnog udara.
- **Izbjegavati tjelesni kontakt s uzemljenim površinama poput cijevi, radijatora, štednjaka i zamrzivača.** Ako je vaše tijelo uzemljeno postoji povećana opasnost od strujnog udara.

\* Tekst korišten u poglavlju Opća sigurnosna upozorenja za električni alat ovog priručnika je doslovno preuzet, koliko je to bilo potrebno, iz odgovarajuće norme UL/CSA 62841. Ovo poglavlje sadrži opća sigurnosna pravila sigurne prakse za nekoliko različitih tipova električnih alata. Nije svaka mjera opreza primjenjiva za svaki alat, a neke se ne primjenjuju za ovaj alat.

- **Alat ne izlažite kiši ili mokrim uvjetima.** Ako u električni alat uđe voda povećava se opasnost od strujnog udara.
- **Nemojte oštećivati kabel.** Kabel nemojte nikada upotrebljavati za nošenje, povlačenje ili za izvlačenje utikača električnog alata. Kabel držite dovoljno daleko od izvora topline, ulja, oštih rubova i pokretnih dijelova. Oštećeni ili zapetljani kabeli povećavaju opasnost od strujnog udara.
- **Pri radu s električnim alatom na otvorenom koristite produžni kabel pogodan za korištenje na otvorenom.** Uporabom kabela namijenjenog vanjskoj uporabi smanjuje se opasnost od strujnog udara.
- **Ako je rad s električnim alatom na vlažnom mjestu neizbježan, koristite zaštitnu strujnu sklopku (GFCI) u slučaju otkaza mase.** Uporaba GFCI utičnice smanjuje rizik od strujnog udara.

## Osobna zaštita

- **Tijekom uporabe električnog alata budite pažljivi, pratite što radite i razumno koristite električni alat.** Alat nemojte koristiti ako ste umorni ili ako ste konzumirali drogu, alkohol i lijekove. Trenutak nepažnje pri radu s električnim alatima može za posljedicu imati teške ozljede.
- **Upotrebljavajte opremu za osobnu zaštitu. Uvijek nosite zaštitu za oči.** Oprema za osobnu zaštitu, kao na primjer maska protiv prašine, zaštitne cipele s potplatima protiv klizanja, zaštitna kaciga ili štitnici za sluh, koja se koristi za odgovarajuće uvjete, umanjit će opasnost od povrede.
- **Spriječite slučajno uključivanje alata. Prije nego alat povežete na izvor napajanja i/ili dio sa baterijom, podižete ili nosite alat provjerite nalazi li se prekidač u položaju "isključeno".** Nošenje alata sa prstom na prekidaču ili aktivacija alata sa uključenim prekidačem pogoduje nezgodama.
- **Uklonite ključ za podešavanje ili ključ za odvijanje prije nego što uključite električni alat.** Ključ ili pribor koji su ostali na rotirajućem dijelu električnog alata mogu izazvati povrede.
- **Nemojte posezati predaleko. Provjerite stojite li na čvrstoj podlozi i u svakom trenutku zadržite ravnotežu.** To omogućava bolju kontrolu alata u neočekivanim situacijama.
- **Propisno se oblačite. Nemojte nositi lepršavu odjeću i nakit. Kosu, odjeću i rukavice držite podalje od pokretnih dijelova.** Labava odjeća, nakit ili duga kosa mogu biti zahvaćeni pokretnim dijelovima.
- **Ako postoje uređaji sa povezivanje sa usisivačima i sakupljačima prašine provjerite jesu li dobro spojeni i koriste li se ispravno.** Uporaba takve opreme umanjuje opasnost koja nastaje nakupljanjem prašine.
- **Ne dozvolite da vas poznavanje rukovanja koje ste dobili čestom upotrebom alata učini neopreznim i učini da zanemarite sigurnosne principe rukovanja alatom.** Neoprezan rad može prouzrokovati tešku ozljedu u djeliću sekunde.

## Korištenje i briga o električnom alatu

- **Nemojte preopteretiti alat. Koristite alat koji odgovara poslu koji obavljate.** Odgovarajući električni alat radit će bolje i sigurnije brzinom za koju je napravljen.
- **Nemojte koristiti električni alat ako ga prekidači ne uključuju i isključuju.** Električni alat koji se ne može kontrolirati pomoću sklopke je opasan i potrebno ga je popraviti.
- **Prije podešavanja, mijenjanja nastavaka ili spremanja alata izvadite utikač iz utičnice i/ili iz alata izvadite uložak baterije ako se može uklanjati.** Takve preventivne sigurnosne mjere smanjuju opasnost od slučajnog uključivanja alata.
- **Kada ne koristite alat držite ga podalje od dohvata djece a osobama koje nisu upoznate s alatom ili koje nisu pročitale ove upute za uporabu nemojte dozvoljavati da ga koriste.** Električni alati su opasni ako ih koriste neobučene osobe.
- **Održavajte alate i opremu. Provjerite jesu li pokretni dijelovi alata loše postavljeni ili spojeni, nisu li dijelovi popucali te postoje li drugi uvjeti koji mogu utjecati na rad električnog alata. Prije uporabe popravite oštećenu električni alat.** Neispravno održavanje električnih alata uzrokuje mnoge nesreće.
- **Alate za rezanje održavajte oštima i čistima.** Ispravno održavani alati za rezanje s oštrim rubovima manje se savijaju i lakši su za kontroliranje.
- **Koristite električne alate, dodatke i nastavke u skladu s ovim uputama i one koji su propisani za specifičnu vrstu alata.** Upotreba električnog alata za radnje za koje on nije predviđen može dovesti do opasnih situacija.
- **Držite ručke suhim i rukohvate čistim, te bez ulja i masti.** Klizave ručke i površine za hvatanje ne omogućuju sigurno rukovanje i kontrolu nad alatom u nepredviđenim situacijama.



## Servisiranje

- **Električni alat može servisirati samo kvalificirano servisno osoblje upotrebljavajući identične zamjenske dijelove.** To će zajamčiti održavanje sigurnosti električnog alata.

## Posebne sigurnosne informacije

### ⚠ UPOZORENJE

**Ovaj odjeljak sadrži važne sigurnosne informacije koje su karakteristične za ovaj alat.**

**Pažljivo pročitajte ove upute za upotrebu prije prvog korištenja alata kako biste smanjili rizik od električnog udara ili ozljeda ljudi.**

### SAČUVAJTE OVE UPUTE!

Držite ovaj priručnik u blizini uređaja kako bi ga rukovatelj mogao upotrijebiti.

## Sigurnost električne nareznice

- **Uvijek upotrebljavate potporni uređaj isporučen s alatom.** Gubitak kontrole tijekom rada može rezultirati ozljedom.
- **Rukave i jakne držite zakopčanima dok upravljate alatom. Nemojte posezati preko alata ili preko cijevi.** Odjeća može biti zahvaćena cijevi ili alatom, što može dovesti do zapletaja.
- **Samo jedna osoba mora nadzirati radni proces i rad alata.** Uključivanje dodatnih osoba u postupak može rezultirati neželjenim uključivanjem i ozljedom.
- **Neka podovi budu čisti i neka na njima nema skliskih materijala poput ulja.** Skliski podovi uzrokuju nezgode.
- **Ne nosite rukavice dok upravljate alatom. Nemojte posezati preko alata ili preko cijevi.** Rukavice mogu biti zahvaćene cijevi ili alatom, što može dovesti do zapletaja.
- **Pri narezivanju ili vraćanju narezni glava s cijevi uvijek čvrsto držite električnu nareznicu kako biste se oduprli sili, neovisno o tome koju napravu za podupiranje koristite.** To će smanjiti opasnost od ozljeda uslijed udaranja i nagnječenja i drugih ozljeda.
- **Slijedite upute o ispravnom korištenju ovog stroja. Ne koristite za druge svrhe, kao što je bušenje rupa ili okretanje vitla.** Drukčija uporaba ili modificiranje ovog uređaja za druge namjene mogu povećati opasnost od teških ozljeda.

- **Nemojte koristiti ovaj električni alat ako je prekidač za uključivanje/isključivanje pokvaren.** Ovaj prekidač je sigurnosna naprava koja vam omogućava gašenje motora otpuštanjem prekidača.
- **Nemojte koristiti tupe ili oštećene noževe.** Oštri alati za rezanje zahtijevaju manji moment, a električnom nareznicom je lakše upravljati.
- **Držite ručke suhim i čistim; bez ulja i maziva.** Omogućava bolju kontrolu alata.
- **S električnim nareznicama RIDGID koristite samo narezne glave RIDGID.** Druge narezne glave možda neće ispravno sjesti u električnu nareznicu što povećava opasnost od oštećivanja opreme i osobne ozljede.

Ako imate bilo kakvih pitanja u vezi ovog RIDGID® proizvoda:

- Kontaktirajte sa svojim lokalnim RIDGID distributerom.
- Posjetite RIDGID.com kako biste pronašli svoju kontaktnu točku za RIDGID.
- Kontaktirajte tehnički servisni odjel tvrtke Ridge Tool na [rtctechservices@emerson.com](mailto:rtctechservices@emerson.com), a u SAD-u i Kanadi nazovite (800) 519-3456.

## Opis, tehnički podaci i standardna oprema

### Opis

Alati RIDGID® Model 600-I i 690-I su dvostruko izolirani alati koji daju napajanje cijevi koju narezujete i vodu. Rotacija unaprijed i unatrag može se odabrati putem kliznog prekidača, dok se UKLJUČENO/ISKLJUČENO kontrolira putem momentnog kontaktnog prekidača u dva koraka.

Alat 600-I je dizajniran tako da koristi zglobne narezne glave RIDGID 11-R (cijev od 1/8" – 1 1/4"). Alat 690-I je dizajniran tako da koristi zglobne narezne glave RIDGID 11-R (cijev od 1/8" – 2"). Za korištenje alata 690-I s veličinama od 1/8" – 1 1/4" potreban je adapter. Adapter i veličine od 1 1/2" – 2" stoje u alatu 690-I pomoću mehanizma za držanje.



Slika 1 – Alat model 600-I

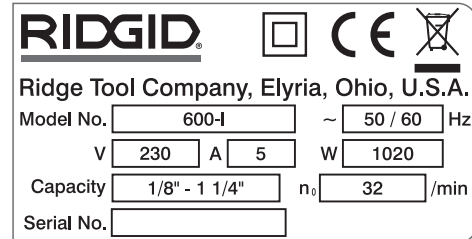


Slika 2 – Alat model 690-I



Slika 3 – Potporne ruke 602/692

Alati 600-I i 690-I imaju nazivnu pločicu sa serijskim brojem na dnu kućišta motora. Posljednje 4 znamenke serijskog broja označavaju mjesec i godinu proizvodnje (MMGG).



Slika 4 – Serijski broj stroja

### Standardna oprema

Modeli 600-I/690-I dolaze sa sljedećim stavkama:

- Alat
- 690-I adapter (samo 690-I)
- Priručnik za korisnike

**NAPOMENA** Odabir odgovarajućih materijala i načina ugrađivanja, metode spajanja i formiranja su odgovornost projektanta sustava i/ili montera. Odabir neodgovarajućih materijala i metoda bi mogao prouzročiti otkazivanje sustava.

Nehrđajući čelik i drugi materijali otporni na koroziju mogu biti zagađeni tijekom ugrađivanja, spajanja i oblikovanja. Ovo zagađenje bi moglo prouzročiti koroziju i prerano otkazivanje. Pomna procjena materijala i postupaka za posebne uvjete servisiranja, uključujući kemikalije i temperaturu, trebala bi se obaviti prije bilo kakva pokušaja ugrađivanja.

## Tehničke karakteristike

Parametar	600-I alat	690-I alat
Kapacitet narezivanja cijevi	1/8 do 1 1/4 inča (3 do 32 mm)	1/8 do 2 inča (3 do 50 mm)
Držanje narezne glave	Prstenasta opruga	Mehanizam za držanje (1 1/2 – 2 inča) Prstenasta opruga (1/8 – 1 1/4 inča)
LH narezi	Da	Da
Potporna ruka	br. 602, Br. 601	br. 692, Br. 691
Prilagodnik za alate	Nije potrebno.	Koristi se s narezanim glavama veličine od 1/8" do 1 1/4".
Tip motora	Jednofazni motor Universal	Jednofazni motor Universal
Wati	1270 (120V), 1020 (220-240V)	1270 (120V), 1020 (220-240V)
Dostupni napon/faza	120V/1 PH, 220-240V/1 PH	120V/1 PH, 220-240V/1 PH
Amperi	12A (120V), 5A (220-240V)	12A (120V), 5A (220-240V)
Radna brzina (okretaji u minuti)	36 (120V), 32 (220-240V)	36 (120V), 32 (220-240V)
Kontrole	Klizni prekidač Unaprijed/Unatrag Momentni kontaktni prekidač u dva koraka UKLJUČENO/ISKLJUČENO	Klizni prekidač Unaprijed/Unatrag Momentni kontaktni prekidač u dva koraka UKLJUČENO/ISKLJUČENO
Reduktorska glava	Stalno podmazivan aluminijski kalup za nareze	Stalno podmazivan aluminijski kalup za nareze
Duljina	20 inča (508 mm)	24,13 inča (61,3 cm)
Širina	3,75 inča (9,5 cm)	4,75 inča (12,1 cm)
Visina	7,5 inča (19,1 cm)	8 inča (20,3 cm)
Težina	12,65 lbs (5,7 kg)	21,15 lbs (9,6 kg)
Tlak zvuka (L <sub>PA</sub> )*	83 dB(A), K=3	83 dB(A), K=3
Snaga zvuka (L <sub>WA</sub> )*	94 dB(A), K=3	94 dB(A), K=3
Vibracije*	< 2,5 m/s <sup>2</sup> , K=1,5	< 2,5 m/s <sup>2</sup> , K=1,5

\* Mjerenja vibracija i buke izvršena su u skladu sa standardiziranim testom oprema standardu IEC62841-1.

- Razine vibracija mogu se koristiti za usporedbu s drugim alatima i za preliminarnu procjenu izloženosti.

- Emisije buke i vibracija mogu se razlikovati ovisno o vašoj lokaciji i uporabi tih alata.

- Dnevne razine izloženosti buci i vibracijama moraju se procijeniti za svaku primjenu i po potrebi uz uporabu primjerenih sigurnosnih mjera. Za procjenu razina izloženosti treba uzeti u obzir vrijeme tijekom kojeg je alat isključen i nije u uporabi. To može značajno smanjiti razinu izloženosti tijekom ukupnog razdoblja rada.

## Provjera prije uporabe

### ⚠ UPOZORENJE



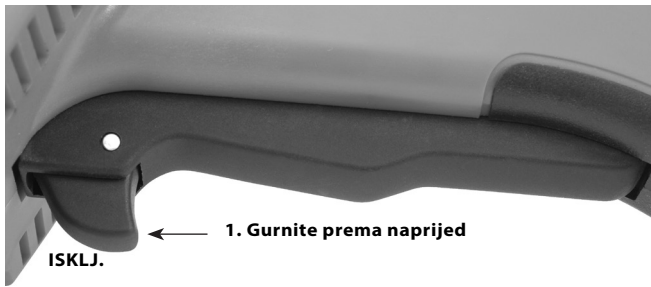
**Prije svake uporabe provjerite alat i ispravite sve probleme kako biste smanjili opasnost od ozbiljnih ozljeda uslijed električnog udara, gnječenja ili drugih uzroka, te spriječili oštećenje alata.**

1. Pazite da je alat iskopčan iz struje.
2. Uklonite ulje, masnoću ili prašinu s alata i naprave za podupiranje, uključujući i ručke i upravljačke komande. To olakšava pregled i pomaže u sprječavanju da stroj ili upravljač isklizne iz ruke.

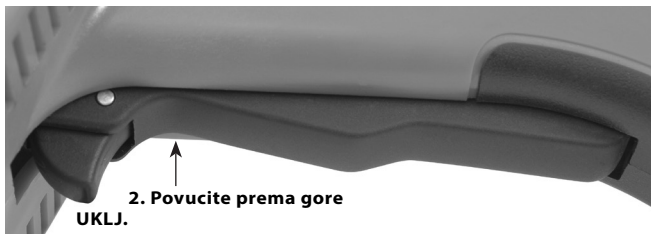
3. Na alatu i potpornoj ruci provjerite sljedeće:

- Oštećenja ili promjene na kabelu i utikaču.
- Ispravno sastavljanje, održavanje i cjelovitost.
- Oštećene, nepravilno poravnate ili spojne dijelove.
- Ispravnost rada momentnog kontaktnog prekidača u dva koraka za UKLJUČENO/ISKLJUČENO (slika 5).
- Jesu li zubi za hvatanje na potpornoj ruci čisti i u dobrom stanju. Zube možete očistiti žičanom četkom.
- Postojanje i čitljivost naljepnice za upozorenje.
- Ostala stanja koja mogu spriječiti siguran i normalan rad.

Ukoliko problemi postoje, ne koristite alat ili potporni uređaj dok se problemi ne otklone.



**Slika 5A – Momentni kontaktni prekidač UKLJUČENO/ ISKLJUČENO u dva koraka**

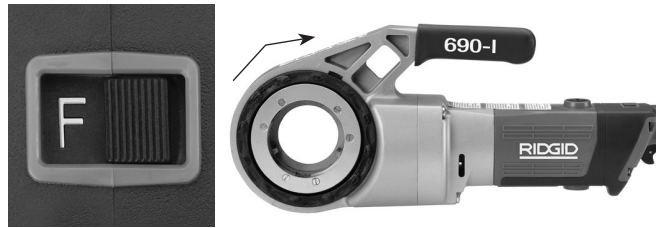


**Slika 5B – Momentni kontaktni prekidač UKLJUČENO/ ISKLJUČENO u dva koraka**

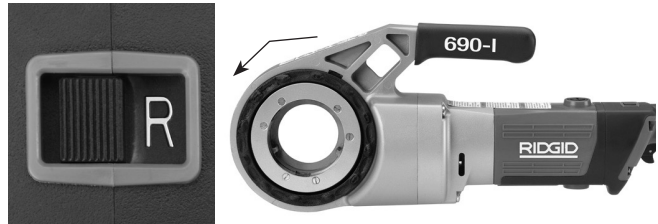
4. Pregledajte jesu li oštrice nareznih glava istrošene, izobličene, odlomljene ili nešto slično. Tupi ili oštećeni rezni alati povećavaju potrebnu silu, proizvode slabu kakvoću navoja i povećavaju opasnost od ozljeda.
5. Pregledavajte i održavajte svu ostalu opremu koja se koristi prema odgovarajućim uputama kako biste se uvjerali da radi ispravno.
6. Slijedeći upute za postavljanje i rad provjerite radi li alat ispravno.
  - Pomjerite prekidač F/R (Unaprijed/Unatrag) u položaj F. Oslobodite prekidač UKLJUČENO/ISKLJUČENO (slika 5). Provjerite rotira li se alat u smjeru kazaljke na satu (Pogledajte sliku 6) i zaustavlja li se po otpuštanju prekidača.
  - Ponovite proces za rad REVERSE (obrnuto od smjera kazaljke na satu). Ako se alat ne rotira u ispravnom smjeru ili ako prekidač UKLJUČENO/ISKLJUČENO ne upravlja radom stroja nemojte koristiti stroj dok ga ne popravite.

**NAPOMENA** Položaj kliznog prekidača F/R mijenjajte samo kad je prekidač UKLJUČENO/ISKLJUČENO otpušten. Dopustite alatu da se potpuno zaustavi prije okretanja smjera putem kliznog prekidača F/R. To će smanjiti rizik od oštećenja alata.

- Oslobodite prekidač UKLJUČENO/ISKLJUČENO. Provjerite pokretne dijelove na nepravilnost, vezivanje, čudne zvukove ili druge neuobičajene uvjete. Oslobodite ON/OFF sklopku. Ako nađete neobičajna stanja, ne upotrebljavajte stroj dok ga ne popravite.



**Slika 6A – Položaj prekidača F (NAPRIJED) (u smjeru kazaljke na satu)**



**Slika 6B – Položaj prekidača R (UNATRAG) (obrnuto od smjera kazaljke na satu)**

7. Otpustite prekidač UKLJUČENO/ISKLJUČENO i suhim rukama iskopčajte uređaj.

## Namještanje i rad

### ⚠ UPOZORENJE



**Podesite i koristite alat u skladu s ovim postupcima kako biste smanjili opasnost ozljeda zbog električnog udara, zapetljanja, udaraca, nagnječenja i drugih uzroka i kako biste spriječili oštećenje alata.**

**Koristite odgovarajuću napravu za podupiranje u skladu s ovim uputama. Naprave za podupiranje poboljšavaju kontrolu i smanjuju opasnost od ozljeda uslijed udaranja i nagnječenja i/ili drugih ozljeda.**

**Ako koristite drugu napravu za podupiranje osim priložene potporne ruke, ta naprava mora djelovati nasuprot kućišta reduktora ili kućišta ventilatora. Naprave za podupiranje koje su u doticaju s kućištem motora ili ručkom mogu oštetiti te dijelove i povećati opasnost od ozljeda.**

**Pri narezivanju ili vraćanju nareznih glava s cijevi uvijek čvrsto držite alat kako biste se oduprli sili nareza, neovisno o tome koju napravu za podupiranje koristite. To će smanjiti opasnost od ozljeda uslijed udaranja i nagnječenja i drugih ozljeda.**

**Nemojte nositi rukavice niti široku odjeću. Neka rukavi i jakne budu zakopčani. Široka se odjeća može zapetljati u rotirajuće dijelove i uzrokovati ozljede zbog nagnječenja ili udaranja.**

**Cijev poduprite na odgovarajući način. To će smanjiti opasnost od pada cijevi, spoticanja i ozbiljnih ozljeda.**

**Nemojte koristiti alat bez savršeno ispravnog prekidača za UKLJUČENO/ISKLJUČENO i kliznog prekidača F/R.**

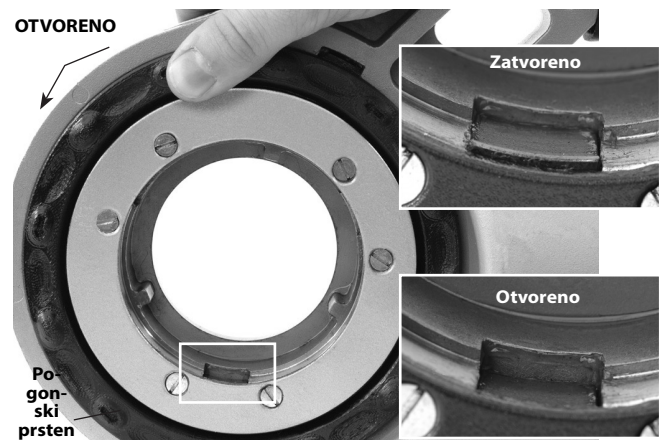
**Jedna osoba mora upravljati i radnim procesom i prekidačem UKLJUČENO/ISKLJUČENO. Više od jedne osobe ne smije upravljati alatom. U slučaju zapetljavanja rukovatelj mora kontrolirati prekidač UKLJUČENO/ISKLJUČENO.**

- Na radnom mjestu provjerite sljedeće:
  - Odgovarajuća rasvjeta.
  - Da nema zapaljivih tekućina, para ili prašine koji se mogu zapaliti. Ako otkrijete nešto od navedenog, nemojte raditi u tom području dok ne prepoznate i otklonite problem. Alati nisu otporni na eksploziju i mogu iskriti.
  - Čisto, ravno, stabilno, suho mjesto za svu opremu i rukovatelja.
  - Dobra ventilacija. Ne koristite previše u malim i zatvorenim prostorima.
  - Pravilno ožičena električna utičnica ispravnog napona. Ako sumnjate u ispravnost utičnice, obratite se ovlaštenom električaru.
  - Oslobodite prostor za električnu utičnicu koja ne sadrži nikakav potencijalni izvor oštećenja strujnog kabela.
- Provjerite jesu li cijev i svi povezani dijelovi narezani, te je li odabrani alat pravi izbor za određeni posao. *Pogledajte specifikacije.* Nemojte koristiti za narezivanje ičeg drugo osim ravnih klada.
 

Opremu za druge namjene možete pronaći u katalogu Ridge alata, na Internetu na RIDGID.com ili pozivom tehničkoj podršci za Ridge alate u SAD-u ili Kanadi na (800) 519-3456.
- Pazite da je korištena oprema ispravno pregledana.
- Ispravno pripremite cijev po potrebi. Pazite da je cijev ravno odrezana i očišćena od ostataka. Cijev odrezana pod kutom može oštetiti noževe tijekom narezivanja ili uzrokovati poteškoće pri pokretanju narezne glave.

## Ugradnja nareznih glava

- Postavljanje narezne glave od 1½" ili 2" ili adaptera u model 690-I:
  - Provjerite je li prekidač UKLJUČENO/ISKLJUČENO otpušten i je li kabel iskopčan.
  - Okrenite pogonski prsten u smjeru obrnutom od smjera kazaljke na satu kako biste otvorili mehanizam za držanje. Do kraja umetnite klin narezne glave ili adaptera (ako je potreban) u alat (*slika 7*).
  - Otpustite pogonski prsten i provjerite jesu li narezna glava/adapter učvršćeni.
  - Za uklanjanje primijenite obrnuti proces.

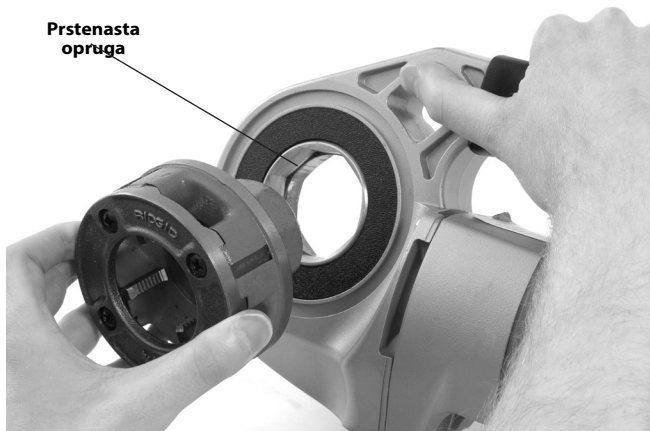


**Slika 7 – Mehaniizam za držanje, pogonski prsten u položaju Otvoreno/Zatvoreno**



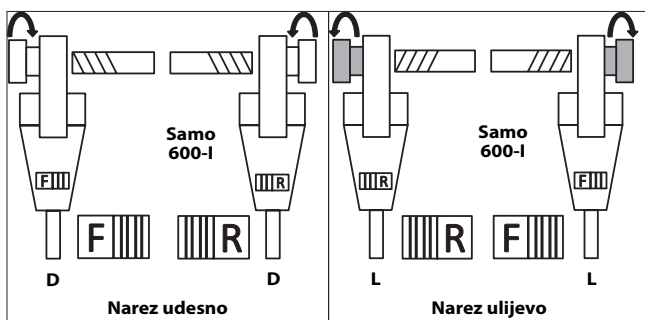
**Slika 8 – Postavljanje adaptera na 690-I**

6. Postavljanje nareznih glava od 1¼" ili manjih:
  - a. Provjerite je li prekidač UKLJUČENO/ISKLJUČENO otpušten i je li kabel iskopčan iz utičnice.
  - b. Po potrebi ugradite adapter u 690-I (slika 8).
  - c. Izravno umetnite osmerokutni kraj narezne glave 11-R u alat dok se ne učvrsti pomoću opružnog prstena. Na modelu 600-I narezna se glava može umetnuti na bilo koju stranu alata. Kod modela 690-I narezne se glave mogu umetnuti samo sa strane s adapterom.
  - d. Kako biste uklonili nareznu glavu povucite je iz alata. Po potrebi upotrijebite meki čekić ili komad drva kako biste izbacili glavu. Nemojte udarati po nareznoj glavi jer to može oštetiti alat.



Slika 9 – Postavljanje nareznih glava u alat 600-I

7. Postavite klizni prekidač F/R na alatu na željeno narezivanje ulijevo ili udesno. Pogledajte sliku 10.



Slika 10 – Smjer kliznog prekidača/narezne glave

8. Pazite da je cijev koju ćete narezivati stabilna i učvršćena kako bi se spriječilo ispadanje tijekom korištenja. Koristite prikladne stalke za cijev kako biste poduprli duljinu cijevi.
9. Provjerite razinu ulja za narezivanje RIDGID u podmazivaču RIDGID 418. Uklonite pladanj za ostatke i provjerite je li zaslon filtra čist i potpuno uronjen u ulje. Po potrebi zamijenite ili dopunite ulje. Postavite vjetro za podmazivač 418 ispod cijevi koju ćete narezivati.

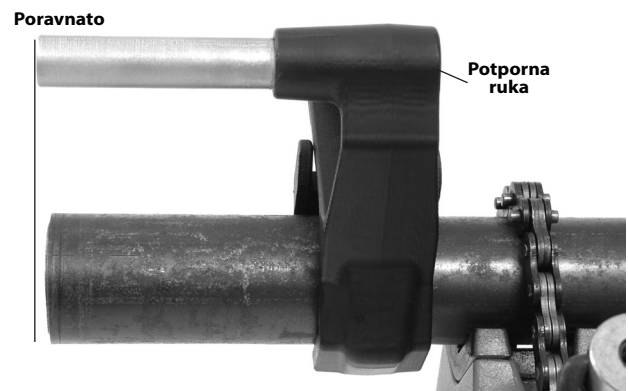
## Otpor sili nareza

Korištenje priložene potporne ruke:

- a. Uvijek koristite priloženu potpornu ruku (601 ili 602 potporna ruka za 600-I, 691 ili 692 potporna ruka za 690-I) osim ako je nije moguće koristiti zbog prostora ili drugih ograničenja. Potporna ruka se kvači za cijev i pomaže u otklanjanju sile narezivanja.
- b. Potpornu ruku postavite na cijev tako da je poravnata s krajem cijevi, a vrh potporne ruke je vodoravan (slika 11). Tako se potporna ruka ispravno postavlja za narezivanje i sprječava ulazak ulja za narezivanje u motor (slika 12).
- c. Pazite da su vilice potporne ruke poravnate s cijevi i dobro učvrstite ruku.



Slika 11A – Postavljanje potporne ruke



Slika 11B – Postavljanje potporne ruke



Slika 12 – Ispravan smjer alata

Kad potpornu ruku nije moguće koristiti:

Pri narezivanju cijevi na mjestu ili kod slične primjene možda neće biti moguće koristiti potpornu ruku zbog prostornih ograničenja.

- a. Ako je moguće uklonite cijev i narezujte u škripcu. Ako to nije moguće treba upotrijebiti druge naprave za podupiranje kako bi se smanjio utjecaj sile nareza, poput postavljanja kućišta reduktora ili kućišta ventilatora uz susjedni član strukture (primjerice zidovi ili okomite i vodoravne grede). Za to cijev i sve što je okružuje moraju moći podnijeti težinu alata i silu nareza. Možda će trebati dodati privremene ili trajne potpornje ili strukturne elemente za cijev.
- b. Za nareze udesno će se narezne glave rotirati u smjeru kazaljke na satu (kad gledate sprijeda u nareznu glavu). Sile koje stvara moment narezivanja imat će suprotan smjer, odnosno smjer suprotan od smjera kazaljke na satu. Smjer vrtnje i sile bit će obrnut kod nareza ulijevo. Pazite da je naprava za podupiranje postavljena tako da pravilno apsorbira silu nareza.
- c. Motor ili ručku alata nemojte stavljati uz susjedne strukturne elemente kako bi djelovali protiv sile nareza jer to može oštetiti alat.
- d. Električnu nareznicu držite uz strukturni element i nemojte stavljati prste niti ruke između električne nareznice i strukturnog elementa. Pri vraćanju narezne glave s nareza uvijek čvrsto držite alat kako biste se oduprli silama koje nastaju zbog lomljenja komadića s nareza. Ti će koraci smanjiti opasnost od ozljeda uslijed udaranja i nagnječenja i drugih ozljeda. Prekidač za uključivanje/isključivanje može se u svakom trenutku otpustiti kako bi se električna nareznica isključila.

Pri narezivanju ili vraćanju narezničkih glava s cijevi uvijek čvrsto držite električnu nareznicu kako biste se oduprli sili, neovisno o tome koju napravu za podupiranje koristite. To će smanjiti opasnost od ozljeda uslijed udaranja i nagnječenja i drugih ozljeda. Prekidač za uključivanje/isključivanje može se u svakom trenutku otpustiti kako bi se električna nareznica isključila.

## Narezivanje

10. Suhim rukama ukopčajte alat.
11. Postavite nareznu glavu preko kraja cijevi i poduprite alat kako je navedeno u *Odjeljku o otporu sili nareza*.



Slika 13 – Početak nareza

12. Kako biste započeli narezivanje istovremeno pritisnite prekidač UKLJUČENO/ISKLUČENO i dlanom slobodne ruke pritisnite pokrovnu ploču narezne glave. Nemojte nositi rukavice niti nakit ili koristiti krpu dok pritisnete pokrovnu ploču - to povećava opasnost od zapetljavanja ili ozljeda. Kad noževi počnu raditi na cijevi narezi će se rezati kako se noževi naslanjaju na kraj cijevi. Uvijek čvrsto držite ručku alata kako biste se oduprli silama s ručke. Naprave za podupiranje mogu sklznuti i omogućiti alatu da se pomiče. Prekidač UKLJUČENO/ISKLUČENO može se u svakom trenutku otpustiti kako bi se alat isključio.
13. Prestanite pritiskivati pokrovni poklopac i pomoću podmazivača nanesite obilnu količinu ulja za narezivanje RIDGID na područje koje će se narezivati. To će smanjiti moment narezivanja, poboljšati kvalitetu nareza i produljiti trajanje noževa.



**Figure 14 – Narezivanje cijevi**

14. Ponovno pritisnite prekidač UKLJUČENO/ISKLJUČENO dok se cijev ne poravna s rubovima noževa i otpustite prekidač. Pustite alat da se potpuno zaustavi.



**Slika 15 – Cijev poravnata s rubom noževa**

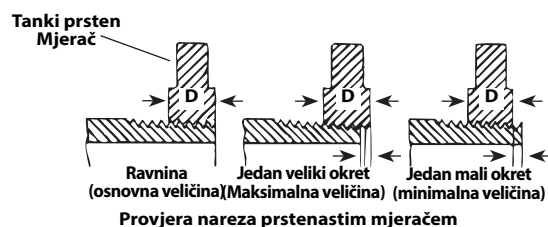
15. Okrenite klizni prekidač F/R u drugi smjer i pokrenite prekidač UKLJUČENO/ISKLJUČENO kako biste uklonili nareznu glavu s narezane cijevi. Čvrsto držite ručku alata kako biste se oduprli silama na ručki koje se stvaraju tijekom vraćanja narezne glave.

**NAPOMENA** Položaj kliznog prekidača F/R mijenjajte samo kad je prekidač UKLJUČENO/ISKLJUČENO otpušten. Dopustite alatu da se potpuno zaustavi prije okretanja smjera putem kliznog prekidača F/R. To će smanjiti rizik od oštećenja alata.

16. Otpustite prekidač i uklonite alat i nareznu glavu s cijevi.  
17. Suhim rukama iskopčajte alat.  
18. Obrišite ulje i ostatke s navoja i s narezne glave pazeći da se ne porežete na oštre otpatke ili oštrice. Očistite svo proliveno ulje iz radnog područja.

## Pregled nareza

1. Uklonite ulje, komadiće i otpatke s nareza.
2. Vizualno pregledajte narez. Narezi trebaju biti glatki i potpuni, dobrog oblika. Ako primijetite probleme poput kidanja nareza, tankih nareza ili cijevi koje nisu savršeno okrugle, narez možda neće dobro brtviti. Pogledajte "Otklanjanje grešaka" nacrt koji će vam pomoći u utvrđivanju ovih problema.
3. Provjerite veličinu nareza. Najbolji način za provjeru veličine nareza je pomoću prstenastog mjerača. Postoje razne inačice prstenastog mjerača, a njihova se uporaba može razlikovati od one prikazane na Slika 16.
  - Navijte prstenasti mjerac čvrsto na narez.
  - Provjerite koliko kraj cijevi izlazi iz prstenastog mjerača. Kraj cijevi trebao bi se poravnati s bočnom stranom mjerača, plus ili minus jedan okret. Ako se narez ne poravna ispravno odrežite narez, prilagodite nareznu glavu i izrežite još jedan narez. Korištenje nareza koji se nije ispravno poravnalo može dovesti do curenja.



**Slika 16 – Provjera veličine nareza**

- Ako za mjerenje veličine nareza nije dostupan prstenasti mjerac moguće je koristiti novi čisti dio koji predstavlja one korištene u radu za mjerenje veličine nareza. Za nareze veličine 2" i ispod NPT, narezi bi trebali biti izrezani tako da je za ručno zatezanje dijela potrebno 4 do 5 okreta, a za nareze veličine 2" i ispod BSPT 3 okreta.

## Upute za održavanje

### ⚠ UPOZORENJE

**Provjerite je li prekidač za UKLJ/ISKLJ u isključen i je li kabel stroja izvučen iz utičnice prije nego što krenete s održavanjem ili podešavanjem.**

**Alat održavajte u skladu s ovim postupcima kako bi se smanjio rizik ozljede uslijed električnog udara, zapetljanja ili drugih uzroka.**



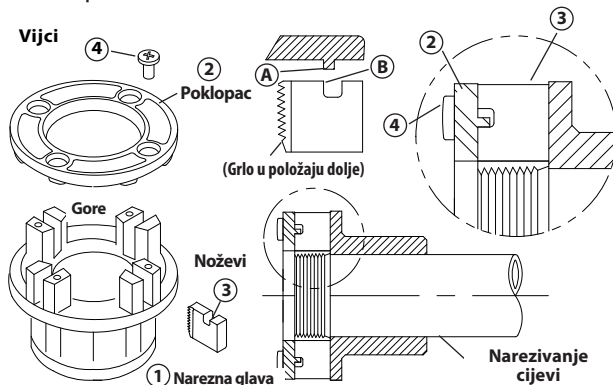
## Čišćenje

1. Nakon svake uporabe izbacite komadiće od narezivanja iz pladnja podmazivača 418 i obrišite ostatke ulja.
2. Uklonite ulje, masnoću, komadiće ili prašinu s alata, uključujući i ručke i upravljačke komande. Očistite mehanizam za držanje na modelu 690-I.
3. Obrišite ulje, masnoću ili prašinu s potporne ruke. Po potrebi očistite vilice potporne ruke čeličnom četkom.
4. Uklonite komadiće i prašinu s narezanih glava.

## Zamjena noževa u nareznim glavama 11-R

Dostupan je veliki izbor noževa koji se mogu postaviti na narezne glave RIDGID 11-R. Dostupnost provjerite u katalogu.

1. Uklonite četiri vijka (4) s poklopca (2) i skinite pokrovni poklopac.
2. Skinite stare noževe (3) s narezne glave.
3. U otvore umetnite nove noževe - rub s brojem prema gore. Brojevi na noževima se moraju poklapati s onima na otvorima narezanih glava. Uvijek zamjenjujte cijeli komplet noževa.



Slika 17 – Postavljanje noževa u nareznu glavu

4. Zamijenite pokrovni poklopac i lagano zategnite četiri vijka.
5. Stavite nareznu glavu na već narezanu cijev dok noževi ne počnu rezati. To prisilno zaustavlja noževe (4) na navarenim pločicama (4) na pokrovnom poklopcu i podešava pravu veličinu.
6. Dobro zategnite četiri vijka. Uklonite narezanu cijev i napravite probni narez.

## Zamjena četki u motoru

Svakih 6 mjeseci provjerite četke motora. Zamijenite ih kad se istroše na manje od  $\frac{5}{16}$ " (8 mm).



Slika 18 – Postavljanje četke

1. Iskopčajte stroj s napajanja.
2. Odvijte kapice četke (slike 1 i 2). Skinite četke i pregledajte ih. Zamijenite ih kad se istroše na manje od  $\frac{5}{16}$ " (8 mm). Provjerite istrošenost kolektora. U slučaju prekomjernog habanja, odnesite alat na servis.
3. Ponovno postavite četke/postavite nove četke i čvrsto zategnite kapice četke.
4. Najbolje je pustiti jedinicu da radi na prazno oko 15 minuta u smjeru prema naprijed, te 15 minuta u obrnutom smjeru kako bi se četke smjestile u kolektor prije uporabe.

## Pribori

### ⚠ UPOZORENJE

**Kako biste smanjili opasnost od teške ozljede, upotrebljavajte samo dodatnu opremu posebno projektiranu i preporučenu za uporabu s alatima 600-I i 690-I, kao što je dolje navedena. Drugi dodaci koji su prikladni za uporabu s drugim alatima mogu biti opasni ako se koriste s alatima 600-I i 690-I.**

### Dodaci za alate 600-I i 690-I

Kataloški br.	Opis
45923	Potporna ruka 602
45928	Potporna ruka 692
46668	Kutija za prijenos 600-I
46673	Kutija za prijenos 690-I
10883	Podmazivač 418 s 1 galonom (3,8 litara) ulja Nu-Clear
16703	Škripac 425 1/8" - 2 1/2" TRISTAND
36273	Škripac 460-6 1/8" - 6" TRISTAND Vise
45543	Četke od 115 V
45588	Četke od 230V

Više informacija o dodacima za alat možete pronaći na Internetu u katalogu RIDGID na RIDGID.com

## Skladištenje stroja

**⚠ UPOZORENJE** Alate za kišnog vremena treba držati u zatvorenom prostoru ili dobro pokriveno. Skladištite stroj u zaključanom prostoru izvan doseg djece i osoba koje nisu upoznate sa strojevima. Ovi strojevi mogu izazvati ozbiljne ozljede na rukama korisnika koji nisu obučeni.

## Servisiranje i popravak

### ⚠ UPOZORENJE

**Neprikladni servis i popravak mogu stroj učiniti nesigurnim za rad.**

“Upute za održavanje” vode računa o većini servisnih potreba ovog stroja. Probleme koji nisu navedeni u ovom odjeljku trebaju isključivo rješavati ovlašteni RIDGID serviseri.

Neispravan alat odnesite u ovlašteni neovisni servisni centar tvrtke RIDGID ili ga vratite u tvornicu. Koristite je isključivo RIDGID servisne dijelove.

Za dodatne informacije o Vama najbližem ovlaštenom neovisnom RIDGID servisnom centru ili pitanjima u vezi popravka ili servisa:

- Obratite se svojem lokalnom RIDGID distributeru.
- Posjetite RIDGID.com kako biste pronašli svoju kontaktnu točku za RIDGID.
- Kontaktirajte tehnički servisni odjel tvrtke Ridge Tool na [rtctechservices@emerson.com](mailto:rtctechservices@emerson.com), a u SAD-u i Kanadi nazovite (800) 519-3456.

## Ulje za narezivanje

Za informacije o korištenju i rukovanju uljem za narezivanje RIDGID® pogledajte etikete na spremniku i sigurnosnom listu s podacima o materijalima (MSDS). MSDS je dostupan na RIDGID.com ili kontaktiranjem tehničke podrške za alate Ridge na broj (800) 519-3456 u SAD-u ili Kanadi ili na adresu [rtctechservices@emerson.com](mailto:rtctechservices@emerson.com).

## Zbrinjavanje

Dijelovi microDrain sustava sadržavaju vrijedne materijale i možete ih reciklirati. Pronađite lokalne tvrtke koje se bave recikliranjem. Zbrinite dijelove u skladu sa svim primjenjivim zakonskim uredbama. Kontaktirajte s lokalnom institucijom za upravljanje otpadom za više informacija.



**Za države EU:** Ne odlažite električnu opremu u kućnim otpadom!

U skladu s Europskom smjernicom 2012/19 - EU o električnoj i elektroničkoj opremi koja predstavlja otpad i njezinoj primjeni u lokalnom zakonodavstvu električnu opremu koju više ne možete upotrijebiti morate odvojeno skupljati i odlagati na odgovarajući, ekološki način.

## Otklanjanje grešaka

SIMPTOM	MOGUĆI RAZLOZI	RJEŠENJE
<b>Stroj neće raditi.</b>	Četke ne dodiruju armaturu.	Provjerite četke i zamijenite ih ako su istrošene.
<b>Stroj ne može narezivati.</b>	Tupi noževi. Preopterećenje uzrokovano pokidanim ili nepravilnim narezima. Loša kvaliteta ili nedovoljna količina ulja za narezivanje. Nedovoljan napon linije.	Zamijenite noževe. Dolje pogledajte moguće razloge.  Upotrijebite dovoljnu količinu ulja za narezivanje RIDGID®. Provjerite dovodni napon.
<b>Na kolektoru motora se stvaraju iskre.</b>	Nedovoljan kontakt između četki i kolektora. Četke ne dodiruju ispravno kolektor. Četke različite proizvodnje. Nove četke.	Zategnite kapice četke kako bi se četke čvrsto pritisnule uz kolektor. Zamijenite istrošene četke i/ili armaturu. Koristite samo četke RIDGID®. Namjestite četke pustivši jedinicu da radi na prazno 15 minuta u smjeru Unaprijed ili Unatrag.
<b>Narezna glava ne počinje s narezivanjem.</b>	Narezna glava nije poravnata s krajem cijevi. Sila pritiska nije ispravno primijenjena na nareznju glavu. Kraj cijevi nije ravno odrezan. Tupi ili slomljeni noževi. Stroj radi u pogrešnom smjeru. Noževi nepravilno postavljeni u nareznoj glavi.	Pogurnite pokrovni poklopac kako biste pokrenuli narezivanje. Primijenite silu pritiska na središnju liniju cijevi. Ravno odrežite kraj cijevi. Zamijenite noževe. Provjerite položaj kliznog prekidača F/R. Pazite da su alati za izradu navoja postavljeni prema vani uz navarene pločice na pokrovnom poklopcu.
<b>Pokidani narezi.</b>	Oštećeni, otkrnuti ili istrošeni noževi. Loše odabrano ili nedovoljna količina ulja za narezivanje. Nepravilna vrsta noža za dotični materijal. Loš materijal/kvaliteta cijevi.	Zamijenite noževe. Upotrijebite dovoljnu količinu isključivo ulja za narezivanje RIDGID®. Odaberite noževe visoke brzine od nehrđajućeg čelika ili legure koji odgovaraju primjeni. Koristite cijev veće kvalitete.
<b>Zakrivljeni ili zgnječeni narezi.</b>	Zid cijevi pretanak.	Koristite cijevi debljine 40 ili više.
<b>Naprava za podupiranje se okreće tijekom narezivanja.</b>	Prljave vilice potporne ruke. Potporna ruka nije ispravno poravnata. Potporna ruka nije učvršćena.	Očistite žičanom četkom. Poravnajte potpornu ruku s cijevi. Učvrstite ulazni vijak.
<b>Tanki narezi.</b>	Noževi nisu postavljeni u odgovarajućem redoslijedu.	Ispravno postavite noževe u otvore narezne glave.



# Električni pogoni

## 600-I/690-I



### **⚠ OPOZORILO!**

Pred uporabo orodja pazorno preberite ta uporabniški priročnik. Nerazumevanje in neupoštevanje vsebine tega priročnika lahko povzroči električni udar, požar in/ali hude telesne poškodbe.

#### Električni pogoni 600-I/690-I

Zapišite si spodnjo serijsko številko in serijsko številko izdelka na napisni tablici.

Serijska št.

--	--

## Kazalo vsebine

<b>Obrazec za vpis serijske številke naprave</b> .....	291
<b>Varnostni simboli</b> .....	293
<b>Splošna varnostna opozorila za električno orodje</b> .....	293
Varnost delovnega območja.....	293
Električna varnost.....	293
Osebna varnost.....	294
Uporaba in nega električnega orodja.....	294
Servisiranje.....	294
<b>Posebne varnostne informacije</b> .....	295
Varnost električnega pogona.....	295
<b>Opis, tehnični podatki in standardna oprema</b> .....	295
Opis.....	295
Standardna oprema.....	296
Tehnični podatki.....	297
<b>Pregled pred uporabo</b> .....	297
<b>Priprava in uporaba</b> .....	298
Vgradnja rezalnih glav.....	299
Upiranje silam pri rezanju navojev.....	300
Rezanje navojev.....	301
Preverjanje navojev.....	302
<b>Navodila za vzdrževanje</b> .....	302
Čiščenje.....	302
Menjava nastavkov rezalnih glav 11-R.....	302
Zamenjava ščetk motorja.....	303
<b>Dodatna oprema</b> .....	303
<b>Shranjevanje naprave</b> .....	303
<b>Servisiranje in popravila</b> .....	303
<b>Olje za rezanje navojev</b> .....	304
<b>Odstranjevanje</b> .....	304
<b>Odpravljanje napak</b> .....	304
<b>Izjava ES o skladnosti</b> .....	Notranja stran zadnje strani
<b>Garancija za celotno življenjsko dobo</b> .....	Zadnja platnica

\* Prevod izvirnih navodil

## Varnostni simboli

V tem uporabniškem priročniku in naizdelku se uporabljajo varnostni simboli in signalne besede za komuniciranje pomembnih varnostnih informacij. Ta razdelek je namenjen izboljššanju razumevanja teh signalnih besed in simbolov.



To je simbol za varnostno opozorilo. Uporablja se za opozarjanje na tveganje telesnih poškodb. Da preprečite morebitno telesno poškodbo ali smrt, upoštevajte varnostna navodila, ki spremljajo ta simbol.

### ⚠ NEVARNOST

NEVARNOST pomeni nevarno situacijo, ki bo povzročila smrt ali hudo telesno poškodbo, če se ji ne izognete.

### ⚠ OPOZORILO

OPOZORILO pomeni nevarno situacijo, ki bi lahko povzročila smrt ali hudo telesno poškodbo, če se ji ne izognete.

### ⚠ POZOR

POZOR pomeni nevarno situacijo, ki bi lahko povzročila manjše ali srednje telesne poškodbe, če se ji ne izognete.

### OPOMBA

OPOMBA pomeni informacijo, ki se nanaša na zaščito lastnine.



Ta simbol vas opozarja, da skrbno preberete uporabniški priročnik, preden začnete uporabljati opremo. Priročnik za uporabnika vsebuje pomembne informacije o varni in pravilni uporabi opreme.



Ta simbol pomeni, da je treba pri uporabi ali delu s to opremo vedno uporabljati varnostna očala s stranskimi ščitniki ali varovalne naočnike, da zmanjšate nevarnost poškodbe oči.



Ta simbol opozarja na tveganje ujetja prstov, dlani, oblačil in drugih predmetov na zobnike ali med njimi ali drugimi vrtečimi se deli, kar povzroči telesne poškodbe zaradi zmečkanja.



Ta simbol označuje nevarnost električnega udara.



Ta simbol označuje nevarnost prevračanja naprave, kar bi lahko povzročilo poškodbe zaradi udarcev ali zmečkanja.



Ta simbol pomeni, da med delom s to napravo ne nosite rokavic, da zmanjšate tveganje zapletanja.



Ta simbol pomeni, da je treba uporabljati podporno napravo, ki se upira silam pri rezanju navojev, izboljša upravljanje in zmanjša tveganje telesnih poškodb zaradi udarca ali zmečkanja in/ali drugih telesnih poškodb.

## Splošna varnostna opozorila za električno orodje\*

### ⚠ OPOZORILO

**Preberite vsa varnostna opozorila, navodila, ilustracije in specifikacije, ki so priložene električnemu orodju. Neupoštevanje vseh spodaj navedenih navodil lahko povzroči električni udar, požar in/ali hude telesne poškodbe.**

### VSA OPOZORILA IN NAVODILA SHRANITE ZA NADALJNJO UPORABO!

Izraz »električno orodje« v opozorilih se nanaša na vaše električno orodje (povezano z električnim kablom), ki je napajano iz električnega omrežja, ali na električno orodje z baterijo (brez kabla).

### Varnost delovnega območja

- **Delovno območje naj bo čisto in dobro osvetljeno.** Neurejeni ali slabo osvetljeni delovni prostori povečujejo verjetnost nesreče.

- **Električnih orodij ne uporabljajte v eksplozivnih atmosferah, npr. v prisotnosti vnetljivih tekočin, plinov ali prahu.** Električna orodja ustvarjajo iskre, zaradi katerih se lahko vnamejo prah ali hlapi.
- **Med uporabo električne naprave bodite varno oddaljeni od otrok in drugih oseb.** Zaradi motenj ob delu lahko izgubite nadzor nad orodjem.

### Električna varnost

- **Vtiči električnega orodja morajo ustrezati vtičnici. Vtiča nikoli na noben način ne spreminjajte. Vtičev prilagojevalnika ne uporabljajte z ozemljenimi električnimi orodji.** Nespremenjeni vtiči in ustrezne vtičnice zmanjšajo nevarnost električnega udara.
- **Izogibajte se stiku z ozemljenimi površinami, kot so cevi, grelniki, štedilniki in hladilniki.** Če je vaše telo ozemljeno, obstaja večja nevarnost električnega udara.
- **Električnega orodja ne izpostavljajte dežju in vlažnim pogojem.** Voda, ki prodre v električno napravo, poveča tveganje električnega udara.

\* Besedilo, ki je navedeno v razdelku Splošna varnostna pravila za električno orodje, je dobesedno prepisano iz ustrezne izdaje standarda UL/CSA 62841. Ta razdelek vsebuje splošne varnostne ukrepe za različne vrste električnih orodij. Vsi previdnostni ukrepi se ne nanašajo na vsa orodja, nekateri pa ne veljajo za to orodje.

- **Kabla ne zlorablajte.** Kabla nikoli ne uporabljajte za prenašanje ali vlečenje oz. za izklop električnega orodja. Kabla ne izpostavljajte vročini, olju, ostrim robovom ali premikajočim se delom. Poškodovani ali prepleteni kabli povečajo možnost električnega udara.
- **Med uporabo električnega orodja na prostem uporabljajte samo podaljške, ki so primerni za uporabo na prostem.** Uporaba kabla, primerne za uporabo na prostem, zmanjšuje tveganje električnega udara.
- **Če se ne morete izogniti uporabi električnega orodja na vlažnem mestu, uporabite stikalo za zemljostično zaščito (GFCI).** Uporaba zemljostične zaščite (GFCI) zmanjšuje tveganje električnega udara.

## Osebna varnost

- **Med uporabo električnega orodja bodite pazljivi, pozorni in razumni. Električnega orodja ne uporabljajte, če ste utrujeni ali pod vplivom drog, alkohola ali zdravil.** Trenutek nepozornosti med uporabo električnega orodja lahko povzroči hude telesne poškodbe.
- **Uporabljajte osebno zaščitno opremo. Vedno nosite zaščitna očala.** Zaščitna oprema, kot so zaščitna maska za prah, zaščitni čevlji z neдрsečim podplatom, zaščitna čelada ali zaščita sluha, ki jo uporabljate skladno z razmerami, zmanjša tveganje telesnih poškodb.
- **Preprečite nehoteni zagon. Prepričajte se, da je stikalo izklopljeno, preden orodje priključite na električni vir in/ali baterijo, ga poberete ali prestavite.** Do nesreče lahko pride, če imate prste na stikalu ali če priklopite napajanje orodij z vključenim stikalom.
- **Pred vklopom električnega orodja odstranite vse nastavitvene gumbe ali izvijač.** Izvijač ali ključ, ki ga pustite pritrjenega na vrtljiv del električnega orodja, lahko povzroči telesne poškodbe.
- **Ne segajte predaleč. Vedno skrbite, da stojite stabilno in imate dobro ravnotežje.** Tako boste imeli v nepredvidljivih situacijah boljši nadzor nad električnim orodjem.
- **Bodite primerno oblečeni. Ne nosite ohlapnih oblačil in nakita. Las, obleke in rokavic ne približujte gibljivim delom.** Ohlapna oblačila, nakit ali dolgi lasje se lahko ujamejo v premikajoče se dele.
- **Če lahko namestite sesalnike in zbiralnike za prah, se prepričajte, da so ti priključeni in pravilno uporabljeni.** Uporaba zbiralnikov za prah lahko zmanjša tveganja zaradi prahu.
- **Ne dovolite, da bi seznanjenost zaradi pogoste uporabe povzročila, da postanete samozadovoljni in prezrete varnostna načela orodja.** Nepredvidno dejanje lahko povzroči hude telesne poškodbe v delčku sekunde.

## Uporaba in nega električnega orodja

- **Električnega orodja ne uporabljajte s silo. Uporabljajte električno orodje, ki je primerno za vaše delo.** Z uporabo primerne električnega orodja boste delo opravili bolje in varneje ter s hitrostjo, za katero je namenjeno.
- **Če s stikalom ne morete vklopiti in izklopiti električnega orodja, ga ne uporabljajte.** Vsako električno orodje, ki ga ne morete upravljati s stikalom, je nevarno in ga je treba popraviti.
- **Izvlcite vtič iz vtičnice in/ali odstranite komplet baterij, če se lahko odstrani, iz električnega orodja preden karkoli prilagodite, zamenjate pripomočke ali električno orodje shranite.** S tovrstnimi preventivnimi varnostnimi ukrepi boste zmanjšali tveganje nenamernega vklopa električnega orodja.
- **Električno orodje, ki ga ne uporabljate, hranite zunaj dosega otrok in ne dovolite, da bi orodje uporabljale osebe, ki električnega orodja ne poznajo ali niso prebrale teh navodil.** Električna orodja so nevarna, če jih uporabljajo neizkušene osebe.
- **Vzdržujte električna orodja in pribor. Preverite, ali so gibljivi deli orodja pravilno nameščeni in se ne zatikajo. Preverite tudi, ali je kateri izmed delov pokvarjen, in bodite pozorni na vsa druga stanja električnega orodja, ki lahko vplivajo na njegovo delovanje. Če je električno orodje poškodovano, ga pred uporabo obvezno popravite.** Številne nesreče so posledica slabo vzdrževanih električnih orodij.
- **Rezalna orodja vzdržujte ostra in čista.** Pravilno vzdrževana rezalna orodja z ostrimi rezili se manjkrat zataknejo in jih je lažje upravljati.
- **Električno orodje, dodatno opremo, nastavke itd. uporabljajte skladno s temi navodili, pri tem pa upoštevajte delovne pogoje in delo, ki ga morate opraviti.** Uporaba električnega orodja v namene, drugačne od tistih, za katere je orodje predvideno, lahko povzroči nevarne situacije.
- **Ročaje in prijemne površine vzdržujte suhe, čiste in razmaščene.** Spolzki ročaji in prijemne površine ne omogočajo varnega ravnanja in nadzora orodja v nepričakovanih situacijah.

## Servisiranje

- **Vaše električno orodje naj servisira samo usposobljen strokovnjak in pri tem uporablja samo originalne nadomestne dele.** Tako bo vaše električno orodje ostalo varno za uporabo.



## Posebne varnostne informacije

### ⚠ OPOZORILO

Ta razdelek vsebuje pomembne varnostne informacije posebej za to orodje.

**Pred uporabo električnih pogonov skrbno preberite ta varnostna navodila, da zmanjšate tveganje električnega udara ali hudih telesnih poškodb.**

### TA NAVODILA SHRANITE!

Ta priročnik hranite skupaj z napravo, da ga lahko uporablja uporabnik naprave.

### Varnost električnega pogona

- Vedno uporabite oporno napravo, dostavljeno z orodjem. Izguba kontrole med uporabo lahko povzroči poškodbo.
- Rokave in jakne držite zapete, ko delate z orodjem. Ne segajte preko orodja ali cevi. Oblačila se lahko ujamejo v cev ali orodje, kar lahko povzroči zapletanje.
- Postopek dela in delovanje orodja mora nadzorovati ena sama oseba. Dodatne osebe v postopku lahko povzročijo neželen vklop in poškodbe.
- Pazite, da bodo tla suha. Na njih ne sme biti spolzkih snovi, npr. olja. Nesreče so lahko posledica spolzkih tal.
- Ne uporabljajte rokavic, ko delate z orodjem. Ne segajte preko orodja ali cevi. Rokavice se lahko ujamejo v cev ali orodje, kar lahko povzroči zapletanje.
- Pri rezanju navojev ali umikanju rezalne glave s cevi vedno trdno držite električni pogon, da se uprete silam pri rezanju navojev, ne glede na uporabljeno podporo napravo. To zmanjša tveganje telesnih poškodb zaradi udarca ali zmečkanja in/ali drugih telesnih poškodb.
- Upoštevajte navodila o pravilni uporabi te naprave. Ne uporabljajte je v druge namene, na primer za vrtenje lukenj ali vrtenje vitlov. Drugačna uporaba ali predelava te naprave za drugačno uporabo lahko poveča tveganje hudih telesnih poškodb.
- Električnega orodja ne uporabljajte, če stikalo za vklop/izklop ne deluje. To stikalo je varnostna naprava, s katero lahko ugasnete motor, tako da sprostite stikalo.
- Ne uporabljajte topih ali poškodovanih rezalnih orodij. Ostra rezalna orodja zahtevajo manj navora in je električni pogon lažje obvladati.
- Ročaje vzdržujte suhe, čiste in razmaščene. To omogoča boljše upravljanje orodja.

- Z električnimi pogoni RIDGID uporabljajte le rezalne glave RIDGID. Druge rezalne glave se morda ne bodo pravilno prilegale električnemu pogonu, kar poveča tveganje škode na opremi in telesnih poškodb.

Če imate vprašanja v zvezi s tem izdelkom RIDGID®:

- Obrnite se na krajevnega distributerja RIDGID.
- Obiščite RIDGID.com, da najdete krajevno zastopstvo RIDGID.
- Obrnite se na oddelek za tehnične storitve za orodja Ridge na naslovu [rtctechservices@emerson.com](mailto:rtctechservices@emerson.com), v ZDA in Kanadi pa lahko pokličete tudi (800) 519-3456.

## Opis, tehnični podatki in standardna oprema

### Opis

Električni pogoni RIDGID® modelov 600-I in 690-I so dvojno izolirani električni pogoni, ki zagotavljajo pogon za rezanje navojev v cevi in kanale. Vrtenje naprej in nazaj lahko izberete z drsnim stikalom, vklop/izklop pa se upravlja z dvostopenjskim stikalom.

Električni pogon 600-I je zasnovan za uporabo spustnih rezalnih glav RIDGID 11-R (cevi od 1/8" do 1 1/4"). Električni pogon 690-I je zasnovan za uporabo spustnih rezalnih glav RIDGID 11-R (cevi od 1/8" do 2"). Za uporabo električnega pogona 690-I z velikostmi od 1/8" do 1 1/4" je potreben prilagodilnik. Prilagodilnik in velikosti od 1 1/2" do 2" sta pritrjena v električnem pogonu 690-I z držalnim mehanizmom.



Slika 1 – Električni pogon modela 600-I

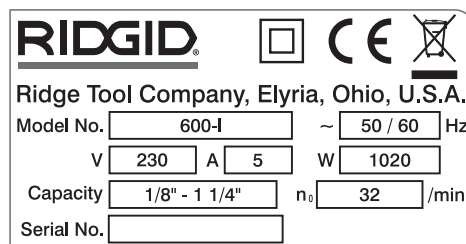


Slika 2 – Električni pogon modela 690-I



Slika 3 – Podporne roke 602/692

Ploščica s serijsko številko električnega pogona 600-I in 690-I je nameščena na dnu ohišja motorja. Zadnja 4 mesta serijske številke označujeta mesec in leto proizvodnje (MMLL).



Slika 4 – Serijska številka naprave

### Standardna oprema

Električni pogoni modela 600-I/690-I imajo priložene naslednje elemente:

- Električni pogon
- Prilagodilnik 690-I (samo 690-I)
- Uporabniški priročnik

**OPOMBA** Za izbiro primernih materialov in načinov vgradnje, spajanja ter oblikovanja je odgovoren projektant in/ali inštalater sistema. Izbira neustreznih materialov in načinov lahko povzroči odpoved sistema.

Nerjaveče jeklo in drugi materiali, odporni proti koroziji, se lahko med vgradnjo, spajanjem in oblikovanjem onesnažijo. Tovrstno onesnaženje lahko povzroči korozijo in skrajšanje življenjske dobe. Pred začetkom vgradnje vedno opravite skrbno vrednotenje materialov in metod za določene pogoje uporabe, vključno s kemičnimi ter temperaturnimi pogoji.

## Tehnični podatki

Parameter	Električni pogon 600-I	Električni pogon 690-I
Zmogljivost vrezovanja navojev v cevi	od 1/8 do 1 1/4 palca (od 3 do 32 mm)	od 1/8 do 2 palca (od 3 do 50 mm)
Pritrditev rezalne glave	Obročasta vzmet	Držalni mehanizem (od 1 1/2 do 2 palca) Obročasta vzmet (od 1/8 do 1 1/4 palca)
Levi navoji	Da	Da
Podporna roka	Ne. 602, Ne. 601	Ne. 692, Ne. 691
Prilagodilnik	Ni potrebno.	Uporablja se za rezalne glave od 1/8" do 1 1/4".
Vrsta motorja	Univerzalni enofazni motor	Univerzalni enofazni motor
W	1270 (120 V), 1020 (220-240 V)	1270 (120 V), 1020 (220-240 V)
Razpoložljiva napetost/faza	120 V/1PH, 220-240 V/1PH	120 V/1PH, 220-240 V/1PH
Tok	12 A (120 V), 5 A (220-240 V)	12 A (120 V), 5 A (220-240 V)
Hitrost delovanja (vrt/min)	36 (120 V), 32 (220-240 V)	36 (120 V), 32 (220-240 V)
Elementi za upravljanje	Drсно stikalo naprej/nazaj Dvostopenjsko stikalo za vklop/izklop	Drсно stikalo naprej/nazaj Dvostopenjsko stikalo za vklop/izklop
Prenos glave	Liti aluminij s trajnim mazanjem	Liti aluminij s trajnim mazanjem
Dolžina	20 palca (508 mm)	24,13 palca (613 mm)
Širina	3,75 palca (95 mm)	4,75 palca (121 mm)
Višina	7,5 palca (191 mm)	8 palca (203 mm)
Teža	12,65 lb (5,7 kg)	21,15 lb (9,6 kg)
Zvočni tlak (L <sub>PA</sub> )*	83 dB(A), K=3	83 dB(A), K=3
Moč zvoka (L <sub>WA</sub> )*	94 dB(A), K=3	94 dB(A), K=3
Vibracije*	<2,5 m/s <sup>2</sup> , K=1,5	<2,5 m/s <sup>2</sup> , K=1,5

\* Merjenje hrupa in vibracij je opravljeno z uporabo standardiziranega preskušanja skladno s standardom IEC62841-1.

- Ravni vibracij se lahko uporabijo za primerjavo z drugimi orodji in preliminarno ocenjevanje izpostavljenosti.
- Emisije hrupa in vibracij se lahko razlikujejo, odvisno od vaše lokacije in načina uporabe orodja.
- Dnevne ravni izpostavljenosti hrupu in vibracijam je treba oceniti za vsako uporabo in je treba upoštevati ustrezne previdnostne ukrepe. Ob ocenjevanju ravni vibracij je treba upoštevati čas, med katerim je orodje izklopljeno in se ne uporablja. To lahko znatno pomanjša raven izpostavljenosti v skupnem času uporabe orodja.

## Pregled pred uporabo

### ⚠ OPOZORILO

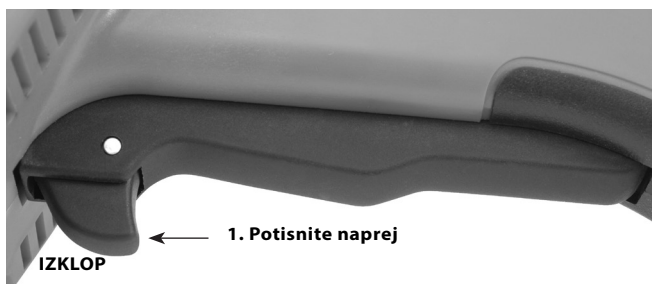


**Pred vsako uporabo preglejte električni pogon in odpravite vse težave, da zmanjšate tveganje hudih telesnih poškodb zaradi električnega udara, zmečkanja in drugih vzrokov ter preprečite škodo na električnem pogonu.**

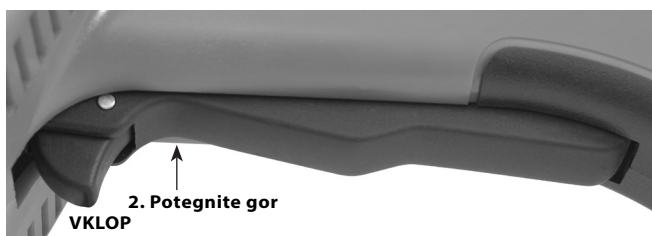
1. Poskrbite, da je električni pogon odklopljen.

- Z električnega pogona in morebitne podporne naprave, vključno z ročaji ter elementi za upravljanje, očistite vse olje, mast in umazanijo. To pomaga pri pregledovanju in preprečuje drsenje naprave ali elementov za upravljanje, ko jih držite.
- Pri električnem pogonu in podporni roki preglejte naslednje:
  - Poškodbe ali predelave kabla in vtiča.
  - Pravilno sestavljanje, vzdrževanje in celovitost.
  - Poškodovani, neizravnani ali zatikajoči se deli.
  - Pravilno delovanje dvostopenjskega stikala za vklop/izklop. (slika 5).
  - Prijemalni zobje podporne roke so čisti in v dobrem stanju. Zobe lahko očistite z žično krtačo.
  - Prisotnost in berljivost opozorilne nalepke.
  - Vsako drugo stanje, ki lahko prepreči varno in običajno delovanje.

Če opazite kakršne koli težave, ne uporabljajte električnega pogona ali podporne naprave, dokler težav ne popravite.



Slika 5A – Dvostopenjsko stikalo za vklop/izklop

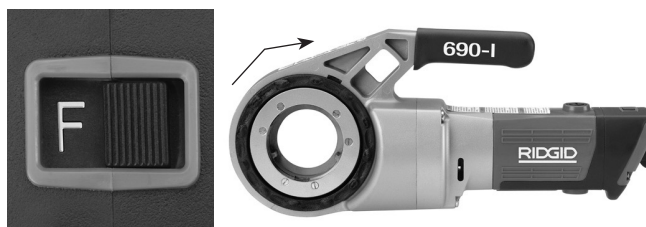


Slika 5B – Dvostopenjsko stikalo za vklop/izklop

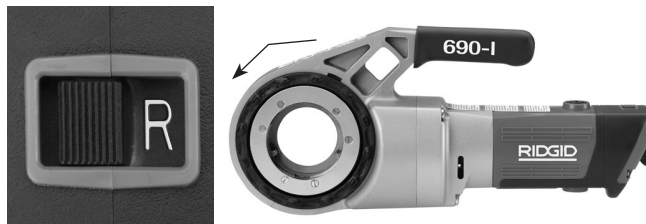
4. Preverite, ali so rezila rezalnih nastavkov obrabljena, deformirana, okrušena ali drugače poškodovana. Topa ali poškodovana rezalna orodja povečajo potrebno silo, povzročijo slabo kakovost navojev in povečajo tveganje telesnih poškodb.
5. Vso drugo uporabljeno opremo pregledajte in vzdržujte skladno z navodili, da zagotovite pravilno delovanje.
6. Preverite pravilno delovanje električnega pogona po navodilih za pripravo in uporabo.
  - Stikalo F/R (naprej/nazaj) preklopite v položaj F (naprej). Pritisnite in sprostite stikalo za vklop/izklop. (slika 5). Preverite, ali se električni pogon vrti v desno (glejte sliko 6) in se ustavi, ko sprostite stikalo.
  - Postopek ponovite za vzvratno delovanje (v levo). Če se električni pogon ne vrti v ustrezno smer ali stikalo za vklop/izklop ne upravlja delovanja stroja, stroja ne uporabljajte, dokler ga ne popravite.

**OPOMBA** Položaj drsnega stikala F/R spremenite samo, ko sprostite stikalo sprožilca za vklop/izklop. Pustite, da se električni pogon do konca ustavi, preden obrnete smer vrtenja z drsnim stikalom F/R. To zmanjša tveganje škode na električnem pogonu.

- Pritisnite in držite stikalo za vklop/izklop. Preverite, ali so gibljivi deli orodja pravilno nameščeni in niso ukleščeni, morebitne nenavadne zvoke ter kakršne koli druge nenavadne pojave. Sprostite stikalo za vklop/izklop. Če opazite neobičajna stanja, naprave ne uporabljajte, dokler ne bo popravljena.



Slika 6A – Položaj stikala F (NAPREJ) (desno)



Slika 6B – Položaj stikala R (VZVRATNO) (levo)

7. Sprostite stikalo za vklop/izklop in s suhimi rokami odklopite napravo.

## Priprava in uporaba

### ⚠ OPOZORILO



**Električni pogon pripravite in uporabljajte skladno s temu postopki, da zmanjšate tveganje telesnih poškodb električnega udara, zapletanja, udarca, zmečkanja in drugih vzrokov ter preprečite škodo na električnem pogonu.**

**Uporabite ustrezno podporno napravo, kot določajo ta navodila. Podporne naprave izboljšajo upravljanje in zmanjšajo tveganje telesnih poškodb zaradi udarca ali zmečkanja in/ali drugih telesnih poškodb.**

**Pri uporabi podporne naprave, ki je drugačna od priložene podporne roke, mora biti podporna naprava naslonjena na ohišje prenosa ali ventilatorja. Podporne naprave, ki se dotikajo ohišja motorja ali ročaja, lahko poškodujejo te dele ali povečajo tveganje telesnih poškodb.**

**Pri rezanju navojev ali umikanju rezalne glave s cevi vedno trdno držite električni pogon, da se uprete silam pri uporabi, ne glede na uporabljeno podporno napravo. To zmanjša tveganje telesnih poškodb zaradi udarca ali zmečkanja in drugih telesnih poškodb.**

**Ne nosite rokavic ali ohlapnih oblačil. Rokavi in jopiči naj bodo zapeti. Ohlapna oblačila se lahko zapletejo med vrteče se dele in povzročijo poškodbe zaradi zmečkanja ter udarca.**

**Pravilno podprite cev. To zmanjša tveganje padca cevi, prevačanja in hudih telesnih poškodb.**

**Električnega pogona ne uporabljajte, če je stikalo za vklop/izklop ali drsno stikalo F/R pokvarjeno.**

**Ena oseba mora nadzorovati tako postopek dela in stikalo za vklop/izklop. Naprave ne sme upravljati več oseb sočasno. V primeru zapletanja mora imeti operater nadzor nad stikalom za vklop/izklop.**

1. Preverite, ali so na delovnem območju prisotne naslednje stvari:

- Ustrezna razsvetljava.
- Vnetljive tekočine, hlapi ali prah, ki se lahko vnamejo. Če so prisotni, v območju ne delajte, dokler viri niso ugotovljeni in odpravljeni. Električni pogoni nimajo protieksplozijske zaščite in lahko povzročijo iskre.
- Čisto, ravno, stabilno in suho mesto za vso opremo ter uporabnika.
- Dobro prezračevanje. Ne uporabljajte v velikem obsegu v majhnih zaprtih prostorih.
- Pravilno ozemljena električna vtičnica z ustrezno napetostjo. V dvomih se obrnite na pooblaščenega električarja.
- Počistite pot do električne vtičnice, tako da ne bo vsebovala morebitnih virov poškodb za električni kabel.

2. Preglejte cev za rezanje navojev in s tem povezane priključke ter potrdite, da je izbrani električni pogon primeren za delo. *Glejte Tehnične podatke.* Naprave ne uporabljajte za rezanje navojev na kar koli razen ravnih palic.

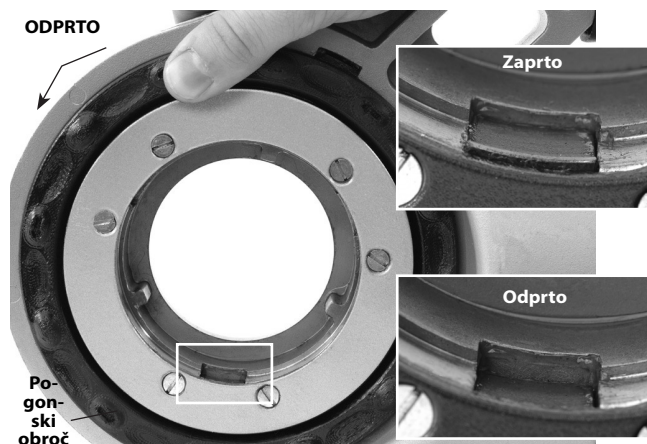
Opremo za druge načine uporabe lahko najdete v katalogu orodij Ridge, na spletu na naslovu RIDGID.com ali s klicem na oddelek za tehnične storitve za orodja Ridge v ZDA in Kanadi na številko (800) 519-3456.

3. Zagotovite ustrezen pregled vse uporabljene opreme.
4. Po potrebi pravilno pripravite cev. Poskrbite, da je cev ravno odrezana in so odstranjeni grebeni. Pod kotom odrezana cev lahko poškoduje rezalne nastavke ali povzroči težave pri nastavljanju rezalne glave.

## Vgradnja rezalnih glav

5. Vgradnja rezalne glave 1½" ali 2" ali prilagodilnika v 690-I:
- a. Poskrbite, da je stikalo za vklop/izklop sproščeno in električni pogon odklopljen.
  - b. Pogonski obroč zavrtite v levo, da odprete držalni mehanizem. Rezalno glavo ali prilagodilnik (po potrebi) vstavite z zobmi naprej v električni pogon (slika 7).

- c. Sprostite pogonski obroč in potrdite, da je rezalna glava/prilagodilnik dobro pritrjena.
- d. Obrnite postopek za odstranjevanje.



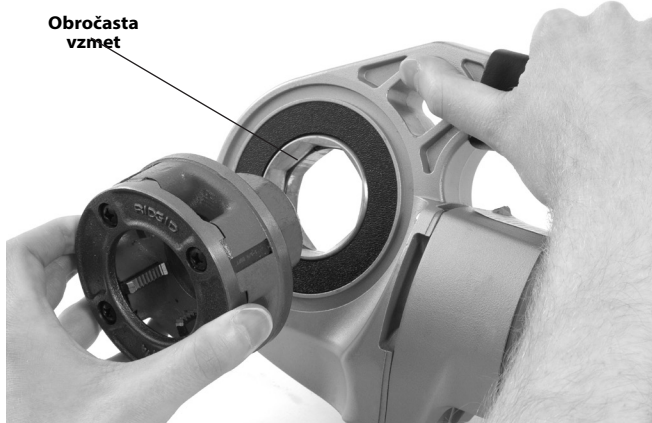
**Slika 7 – Držalni mehanizem, pogonski obroč v odprtem/zaprtem položaju**



**Slika 8 – Vstavljanje prilagodilnika v 690-I**

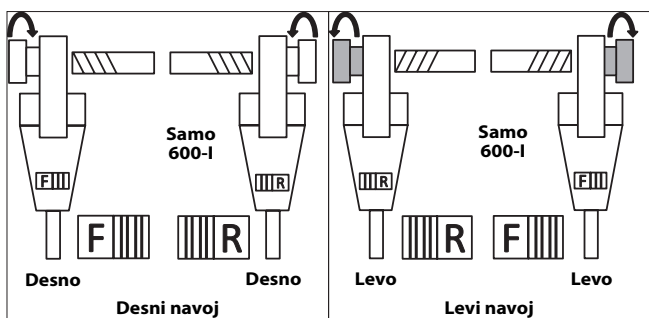
6. Vgradnja rezalnih glav velikosti 1¼" in manjših:
- a. Poskrbite, da je stikalo za vklop/izklop sproščeno in električni pogon odklopljen iz vtičnice.
  - b. Po potrebi vgradite prilagodilnik v pogon 690-I (slika 8).
  - c. Osemkotni del rezalne glave 11-R naravnost vstavite v električni pogon, dokler je ne pritrdi vzmetni obroč. Na modelu 600-I lahko rezalno glavo vstavite v poljubno stran električnega pogona. Na modelu 690-I lahko rezalno glavo vstavite samo na strani prilagodilnika.

d. Če jo želite odstraniti, potegnite rezalno glavo z električnega pogona. Po potrebi uporabite mehko kladivo ali leseno kladivo, da izbijete rezalno glavo. Ne udarjajte po glavi, to lahko poškoduje orodje.



**Slika 9 – Vgradnja rezalnih glav v električni pogon 600-I**

7. Položaj drsnega stikala F/R nastavite za zeleni desni ali levi navoj. Glejte sliko 10.



**Slika 10 – Dršno stikalo/orientacija rezalne glave**

8. Poskrbite, da je cev za vrezovanje navojev stabilna in pritrjena, da preprečite prevračanje med uporabo. Uporabite primerna stojala za cev, da podprete cev po celotni dolžini.

9. Preverite raven olja za vrezovanje navojev RIDGID v mazalniku z oljem RIDGID 418. Odstranite pladenj za ostružke in poskrbite, da je sito filtra čisto in do konca potopljeno v olje. Po potrebi zamenjajte ali dodajte olje. Vedro mazalnika z oljem 418 postavite pod konec cevi, v katero želite vrezati navoje.

## Upiranje silam pri rezanju navojev

Uporaba priložene podporne roke:

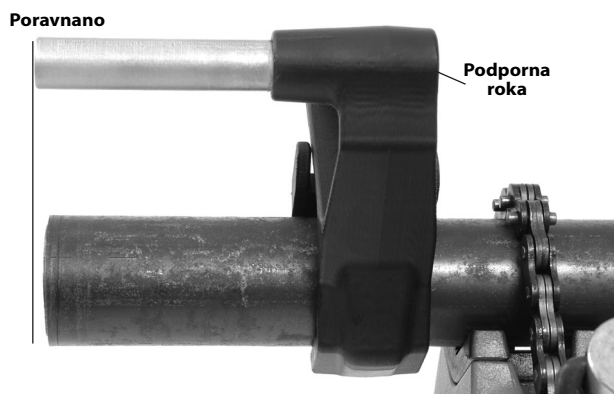
a. Vedno uporabite priloženo podporno roko (podporna roka 601 ali 602 za 600-I, podporna roka 691 ali 692 za 690-I), razen če je ne morete uporabiti zaradi pomanjkanja prostora ali drugih omejitev. Podporna roka se vpne na cev in pomaga, da se uprete silam pri rezanju navojev.

b. Podporno roko postavite na cev, da se konec podporne roke poravnava s koncem cevi in je zgornji del podporne roke vodoraven (slika 11). To pravilno namesti podporno roko za vrezovanje navojev in preprečuje vstop olja za vrezovanje navojev v motor (slika 12).

c. Poskrbite, da so èeljusti podporne roke poravnane s cevjo, in trdno zategnite podporno roko.



**Slika 11A – Določanje položaja podporne roke**



**Slika 11B – Določanje položaja podporne roke**



**Slika 12 – Pravilna orientacija električnega pogona**

Kadar ne morete uporabiti podporne roke:

Kadar vrezujete navoje na cev, ki je že vgrajena, ali podobno, morda ne boste mogli uporabiti podporne roke zaradi prostorskih omejitev.

- a. Če je mogoče, odstranite cev in vrežite navoj v primežu. Če tega ne morete storiti, morate za pomoč pri upiranju silam pri vrezovanju navojev uporabiti druge podporne naprave, na primer postaviti pogonski prenos ali ohišje ventilatorja ob bližnji nosilni element (na primer steno, steber ali preènik). To zahteva, da lahko cev in njena okolica vzdrži težo orodja ter sile pri vrezovanju navoja. Morda boste morali dodati zaèasne ali trajne podpore za cevi ali nosilne elemente.
- b. Za desne navoje se rezalna glava vrti v desno (gledano na èelno stran rezalne glave). Sile, ki nastanejo zaradi navora vrezovanja navojev, bodo potekale v nasprotno ali levo smer. Smer vrtenja in sila se za leve navoje obrneta. Poskrbite, da je podporna naprava pravilno nastavljena za prevzemanje sile vrezovanja navojev.
- c. Motorja ali roèaja elektriènega pogona ne naslonite na nosilne elemente, da se uprete silam pri vrezovanju navojev, ker lahko to poškoduje elektrièni pogon.
- d. Elektrièni pogon držite ob nosilnem elementu in med elektrièni pogon ter nosilni element ne postavljajte prstov ali dlani. Pri umikanju rezalne glave s cevi vedno trdno držite elektrièni pogon, da se uprete silam pri lomljenju ostružkov iz navoja. Ti koraki zmanjšajo tveganje udarca, zmeèkanja in drugih telesnih poškodb. Stikalo za vklop/izklop lahko kadar koli sprostite, da izklopite elektrièni pogon.

Pri rezanju navojev ali umikanju rezalne glave s cevi vedno trdno držite elektrièni pogon, da se uprete silam, ne glede na uporabljeno podporno napravo. To zmanjša tveganje telesnih poškodb zaradi udarca ali zmeèkanja in/ali drugih telesnih poškodb. Stikalo za vklop/izklop lahko kadar koli sprostite, da izklopite elektrièni pogon.

## Rezanje navojev

10. S suhimi rokami priključite elektrièni pogon.
11. Rezalno glavo namestite na konec cevi in podprite elektrièni pogon, kot je opisano v *razdelku Upiranje silam pri rezanju navojev*.



Slika 13 – Zaèenjanje vrezovanja

12. Hkrati vklopite stikalo za vklop/izklop in potisnite proti pokrivni plošèi rezalne glave z dlanjo proste roke, da zaènete navoj. Med pritiskanjem proti pokrivni plošèi ne nosite rokavic in nakita ter ne uporabite krpe – s tem se poveèa tveganje zapletanja in telesnih poškodb. Ko rezalni nastavki primejo za cev se navoj izreže, ko se rezalni nastavki potegnejo na konec cevi.

Vedno trdno držite roèaj elektriènega pogona, da se uprete silam na roèaj. Podporne naprave lahko zdrsnejo in dovolijo premikanje pogona. Stikalo za vklop/izklop lahko kadar koli sprostite, da izklopite elektrièni pogon.

13. Prenehajte pritiskati pokrivno ploščo in uporabite mazalnik z oljem, da nanesete obilo olja za rezanje navojev RIDGID na obmoèje, kjer režete navoje. S tem zmanjšate navor vrezovanja navojev, izboljšate kakovost navoja in poveèate življenjsko dobo rezalne glave.



Slika 14 – Vrezovanje navoja v cev

14. Pritisnite stikalo za vklop/izklop, dokler ni konec cevi poravnani z robom rezalnih nastavkov, in sprostite stikalo. Elektrièni pogon pustite, da se popolnoma ustavi.



**Slika 15 – Cev je poravnana z robom rezalnih nastavkov**

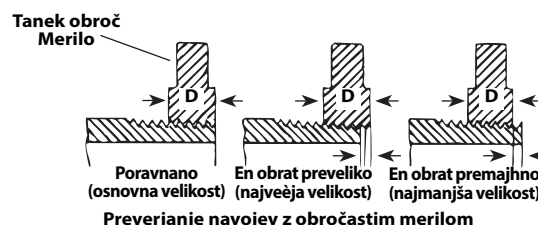
15. Premaknite drsno stikalo F/R v drugo smer in pritisnite stikalo za vklop/izklop, da odstranite rezalno glavo s cevi z navojem. Trdno držite ročaj električnega pogona, da se uprete silam na ročaj, ki se ustvarijo pri snemanju rezalne glave.

**OPOMBA** Položaj drsnega stikala F/R spremenite samo, ko sprostite stikalo sprožilca za vklop/izklop. Pustite, da se električni pogon do konca ustavi, preden obrnete smer vrtenja z drsnim stikalom F/R. To zmanjša tveganje škode na električnem pogonu.

16. Sprostite stikalo in odstranite električni pogon ter rezalno glavo s cevi.
17. S suhimi rokami odklopite električni pogon.
18. Z navojev in rezalne glave obrišite olje in umazanijo, pri tem pa pazite, da se ne urežete na ostri umazaniji ali robovih. Poèistite vse razlito olje v obmoèju dela.

### Preverjanje navojev

1. Z navoja odstranite vse olje, ostrižke in umazanijo.
2. Preglejte navoj. Navoji morajo biti gladki in celoviti z dobro obliko. Èe opazite težave, kot so trganje navoja, tanki navoji ali odstopanje oblike cevi, navoj pri prikljuèitvi morda ne bo tesnil. Glejte »Odpravljanje napak« tabela za pomoè pri diagnostiki teh težav.
3. Preglejte velikost navoja. Prednostni naèin preverjanja velikosti navoja je z obroèastim merilnikom. Obstaja veè slogov obroèastih merilnikov, njihova raba pa se lahko razlikuje od prikazane v *Slika 16*.
  - Obroèasti merilnik z roko privijte na navoj.
  - Poglejte, kako daleè štrli cev skozi obroèasti merilnik. Konec cevi mora biti poravnana s stranico merilnika ali pa mora manjkati en obrat. Èe navoj nima pravilne mere, ga odrežite, nastavite rezalno glavo in vrežite novega. Uporaba navoja, ki nima pravilne mere, lahko povzroèi pušèanje.



**Slika 16 – Preverjanje velikosti navoja**

- Èe za preverjanje velikosti navoja nimate obroèastega merilnika, lahko uporabite nov èist prikljuèek, ki je dober primer uporabljenih, da ocenite velikost navoja. Za navoje 2" NPT in manjše morate navoje vrezati tako, da dosežete od 4 do 5 obratov do zaustavitve pri privijanju prikljuèka z roko, za navoje 2" BSPT in manjše pa morate doseèi 3 obrate.

### Navodila za vzdrževanje

#### **⚠ OPOZORILO**

**Pred izvajanjem vzdrževanja ali prilagoditev se preprièajte, da je stikalo za vklop/izklop izklopljeno in da je naprava odklopljena.**

**Orodje vzdržujte skladno s temi postopki, da zmanjšate tveganje telesnih poškodb zaradi elektriènega udara, zapletanja in drugih vzrokov.**

#### Èišèenje

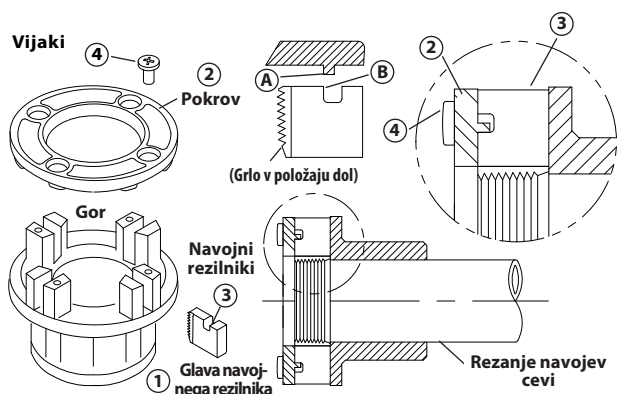
1. Po vsaki uporabi izpraznite ostružke zaradi rezanja navojev iz mazalnika z oljem 418 in obrišite ostanke olja.
2. Z elektriènega pogona obrišite olje, mast, ostružke in umazanijo, tudi z roèajev ter elementov za upravljanje. Oèistite držalni mehanizem 690-I.
3. Olje, mast ali umazanijo obrišite s podporne roke. Po potrebi oèistite èeljasti podporne roke z žièno krtaèo.
4. Z glav odstranite ostružke in umazanijo.

#### Menjava nastavkov rezalnih glav 11-R

Za rezalne glave RIDGID 11-R so na voljo različni rezalni nastavki. Za razpoložljivost glejte katalog.

1. Odstranite štiri vijake (4) s pokrova (2) in odstranite pokrivno ploščo.
2. Z rezalne glave odstranite stare rezalne nastavke (3).
3. Nove rezalne nastavke vstavite v reže z oštevilèeno stranjo navzgor. Številke na rezalnih nastavkih se morajo ujemati s številkami na režah rezalne glave. Rezalne nastavke vedno zamenjajte v kompletu.





Slika 17 – Vgradnja rezalnih nastavkov v glavo

- Zamenjajte pokrovno ploščo in narahlo zategnite štiri vijake.
- Rezne nastavke postavite na cev z že vrezanim navojem, dokler se nastavki ne ujamejo v navoj. To potisne nastavke (4) navzven proti naslonom (4) na pokrovni plošči in pravilno nastavi velikost.
- Trdno zategnite štiri vijake. Odstranite cev z navojem in opravite preizkusno vrezovanje.

## Zamenjava ščetk motorja

Ščetke motorja preverite vsakih 6 mesecev. Zamenjajte jih, ko so obrabljene na manj kot  $\frac{5}{16}$ " (8 mm).



Slika 18 – Vgradnja ščetke

- Odklopite napravo iz vira napajanja.
- Odvijte pokrove ščetk (sliki 1 in 2). Odstranite in pregledajte ščetke. Zamenjajte jih, ko so obrabljene na manj kot  $\frac{5}{16}$ " (8 mm). Preverite, ali je komutator obrabljen. Če je preveč obrabljen, dajte orodje v servis.
- Znova vgradite/vgradite nove ščetke in trdno zategnite pokrove ščetk.
- Najbolje je, da enoto pred uporabo pustite 15 minut delovati v prostem teku v smeri naprej in nato 15 minut v smeri nazaj, da se ščetke usedejo na komutator.

## Dodatna oprema

### ⚠ OPOZORILO

Za zmanjšanje tveganja hudih telesnih poškodb uporabljajte samo opremo, ki je bila posebej zasnovana in priporočena za električne pogone 600-I ter 690-I, na primer spodaj naštetu. Druga dodatna oprema, primerna za uporabo z drugimi orodji, je lahko nevarna, kadar jo uporabljate z električnimi pogoni 600-I in 690-I.

### Dodatna oprema za električne pogone 600-I in 690-I

Kataloška št.	Opis
45923	Podporna roka 602
45928	Podporna roka 692
46668	Torbica za 600-I
46673	Torbica za 690-I
10883	Mazalnik z oljem 418 s 1 galona (3,8 l) olja Nu-Clear
16703	Primež 425 $\frac{1}{8}$ " - 2 $\frac{1}{2}$ " TRISTAND
36273	Primež 460-6 $\frac{1}{8}$ " - 6" TRISTAND
45543	Ščetke za 115 V
45588	Ščetke za 230 V

Dodatne informacije o dodatni opremi za orodje lahko najdete v katalogu RIDGID in preko spleta na naslovu RIDGID.com

## Shranjevanje naprave

**⚠ OPOZORILO** Električni pogoni se morajo v deževnem vremenu shranjevati v zaprtih prostorih ali dobro pokriti. Napravo shranjujte v zaklenjenem prostoru zunaj dosega otrok in oseb, ki niso seznanjene z napravami. Te naprave lahko povzročijo hude telesne poškodbe v rokah neizkušenih uporabnikov.

## Servisiranje in popravila

### ⚠ OPOZORILO

**Zaradi neustreznega servisiranja ali popravila lahko naprava postane nevarna za obratovanje.**

»Navodila za vzdrževanje« zajemajo večino potreb servisiranja te naprave. Morebitne težave, ki jih ta razdelek ne obravnava, naj ureja izključno pooblaščen servisier družbe RIDGID.

Orodje je treba odnesti v neodvisni pooblaščen servisni center RIDGID ali vrniti v tovarno. Uporabljajte le servisne dele RIDGID.

Za informacije o najbližjem neodvisnem pooblaščenem servisnem centru RIDGID ali v primeru kakršnih koli vprašanj o servisiranju ali popravilu:

- Obrnite se na krajevnega distributerja RIDGID.
- Obiščite RIDGID.com, da najdete krajevno zastopstvo RIDGID.
- Obrnite se na oddelek za tehnične storitve za orodja Ridge na naslovu [rttechservices@emerson.com](mailto:rttechservices@emerson.com), v ZDA in Kanadi pa lahko pokličete tudi (800) 519-3456.

## Olje za rezanje navojev

Za informacije o uporabi in ravnanju z oljem za rezanje navojev RIDGID® glejte nalepke na posodi in varnostni podatkovni list materiala (MSDS). MSDS dobite na RIDGID.com ali če se obrnete na oddelek za tehnične storitve za orodja Ridge na naslovu [rttechservices@emerson.com](mailto:rttechservices@emerson.com), v ZDA in Kanadi pa lahko pokličete tudi (800) 519-3456.

## Odstranjevanje

Deli električnega pogona vsebujejo dragocene materiale in jih je mogoče reciklirati. Podjetja, ki so specializirana za recikliranje, lahko najdete tudi v svoji bližini. Komponente zavržite skladno z vsemi zadevnimi predpisi. Več informacij poiščite pri komunalni upravi v svojem kraju.



**Za države EU:** Električne opreme ne odvrzite med gospodinjske odpadke!

V skladu z Evropsko direktivo 2012/19/ - EU o odpadni električni in elektronski opremi in njenem vključevanju v državno zakonodajo, mora neuporabna električna oprema biti zbrana ločeno in odstranjena na pravilen okoljevarstveni način.

## Odpravljanje napak

SIMPTOM	MOŽNI VZROKI	REŠITEV
<b>Naprava ne deluje.</b>	Ščetke se ne dotikajo armature.	Preverite ščetke in jih zamenjajte, če so obrabljene.
<b>Naprava ne more izdelovati navojev.</b>	Topi rezalni nastavki. Preobremenitev zaradi strganih ali neokroglih navojev. Slaba kakovost ali premalo olja za vrezovanje navojev. Nezadostna napajalna napetost.	Zamenjajte rezalne nastavke. Spodaj glejte morebitne vzroke.  Uporabite primerno količino olja za rezanje navojev RIDGID®. Preverite napajalno napetost.
<b>Na komutatorju motorja prihaja do iskrenja.</b>	Nezadosten stik med ščerkami in komutatorjem. Ščetke se ne dotikajo komutatorja na pravilen način. Ščetke drugega proizvajalca. Nove ščetke.	Zategnite pokrove ščerk, da zagotovite, da so ščetke trdno pritisnjene v komutator. Zamenjajte obrabljene ščetke in/ali armaturo. Uporabljajte samo ščetke RIDGID®. Ščetke utecite, tako da enoto pustite delovati po 15 minut naprej in vzvratno.
<b>Rezalna glava ne začne rezati navoja.</b>	Rezalna glava ni pravokotna na konec cevi. Sila pogona se ne prenaša pravilno na rezalno glavo. Konec cevi ni pravokotno odrezan. Topi ali polomljeni rezalni nastavki. Stroj teče v napačno smer. Rezalni nastavki so napačno vstavljeni v rezalno glavo.	Navoj začnite tako, da pritisnete ob pokrivno ploščo rezalne glave. Silo pogona dovedite na srednjico cevi.  Konec cevi odrežite pravokotno. Zamenjajte rezalne nastavke. Preverite položaj drsnega stikala F/R. Poskrbite, da so nastavki pritisnjeni navzven ob naslone na pokrivni plošči.

## Odpravljanje napak

<p><b>Potrgani navoji.</b></p>	<p>Poškodovani, okrušeni ali obrabljeni rezalni nastavki.</p> <p>Slaba kakovost ali premalo olja za vrezovanje navojev.</p> <p>Napačna vrsta rezalnega nastavka za material.</p> <p>Slab material/kakovost cevi.</p>	<p>Zamenjajte rezalne nastavke.</p> <p>Uporabite samo olje za rezanje navojev RIDGID® v primerni količini.</p> <p>Izberite rezalne nastavke za velike hitrosti, nerjaveče jeklo ali zlitine, ki so ustrezni za vaš način uporabe.</p> <p>Uporabite cev višje kakovosti.</p>
<p><b>Neokrogli ali zmečkani navoji.</b></p>	<p>Stena cevi je pretanka.</p>	<p>Uporabite debelino cevi najmanj 40.</p>
<p><b>Med vrezovanjem navoja se vrti podporna naprava.</b></p>	<p>Čeljusti podporne roke so umazane.</p> <p>Podporna roka ni pravilno izravnana.</p> <p>Podporna roka ni zategnjena.</p>	<p>Očistite jih z žično ščetko.</p> <p>Podporno roko pravokotno izravnajte s cevjo.</p> <p>Zategnite podajalni vijak.</p>
<p><b>Tanki navoji.</b></p>	<p>Rezalni nastavki niso vstavljeni v ustreznem zaporedju.</p>	<p>Rezalne nastavke vstavite v ustrezno režo rezalne glave.</p>



# Električne nareznice

## 600-I/690-I



### **⚠ UPOZORENJE!**

Pažljivo pročitajte uputstva pre korišćenja ovog alata. Nepoznavanje i nepridržavanje uputstava iz ovog priručnika može imati za posledicu strujni udar, požar i/ili teške telesne povrede.

#### Električne nareznice 600-I/690-I

Zapišite ispod serijski broj i sačuvajte serijski broj proizvoda koji se nalazi na natpisnoj pločici.

Serijski  
br.


## Sadržaj

<b>Polje za zapisivanje serijskog broja proizvoda</b> .....	307
<b>Sigurnosni simboli</b> .....	309
<b>Opšta sigurnosna upozorenja za električne alate</b> .....	309
Sigurnost radnog područja.....	309
Zaštita od struje.....	309
Lična zaštita.....	310
Upotreba i briga o električnom alatu.....	310
Servisiranje.....	311
<b>Posebne sigurnosne informacije</b> .....	311
Bezbednost električne nareznice.....	311
<b>Opis, tehnički podaci i standardna oprema</b> .....	311
Opis.....	311
Standardna oprema.....	312
Tehnički podaci.....	313
<b>Pregled pre upotrebe</b> .....	313
<b>Podešavanje i rad</b> .....	314
Montiranje nareznih glava.....	315
Odupiranje silama narezivanja navoja.....	316
Narezivanje.....	317
Provera navoja.....	318
<b>Uputstva za održavanje</b> .....	318
Čišćenje.....	319
Zamena nareznica u nareznoj glavi 11-R.....	319
Zamena četkica u motoru.....	319
<b>Dodatna oprema</b> .....	319
<b>Skladištenje mašine</b> .....	320
<b>Servisiranje i popravke</b> .....	320
<b>Ulje za narezivanje</b> .....	320
<b>Odstranjivanje</b> .....	320
<b>Lociranje i uklanjanje kvarova</b> .....	321
<b>EC deklaracija o usaglašenosti</b> .....	Na unutrašnjoj strani poleđine korice
<b>Doživotna garancija</b> .....	Zadnji poklopac

\* Prevod originalnog priručnika

## Sigurnosni simboli

U ovom priručniku za korisnike i na proizvodu nalaze se sigurnosni simboli i signalne reči čija je svrha da prenesu važne bezbednosne informacije. Ovaj deo služi da unapredirazumevanje tih signalnih reči i simbola.

 Ovo je simbol sigurnosnog upozorenja. On se koristi da bi vas upozorio na potencijalne opasnosti povređivanja pri nesrećnim slučajevima. Da biste sprečili telesne povrede i smrtni ishod, pridržavajte se svih sigurnosnih poruka koje prate ovaj simbol.

**⚠ OPASNOST** OPASNOST ukazuje na opasnu situaciju koja, ako se ne izbegne, može prouzrokovati teške telesne povrede ili smrt.

**⚠ UPOZORENJE** UPOZORENJE označava opasnu situaciju koja, ako se ne izbegne, može prouzrokovati smrt ili teške telesne povrede.

**⚠ PAŽNJA** PAŽNJA označava opasnu situaciju koja, ako se ne izbegne, može prouzrokovati lakše ili srednje teške telesne povrede.

**ℹ OBAVEŠTENJE** OBAVEŠTENJE ukazuje na informacije koje se odnose na zaštitu imovine.



Ovaj znak vas upozorava da pre korišćenja opreme pažljivo pročitate priručnik za korisnika. Priručnik za korisnika sadrži važne informacije o sigurnosti i ispravnom radu opreme.



Ovaj simbol upozorava na obaveznu upotrebu zaštitne maske ili zaštitnih naočara sa bočnim štitnicima prilikom manipulacije ili korišćenja ove opreme, da bi se izbegla opasnost od povreda očiju.



Ovaj simbol ukazuje na rizik da se prsti, ruke, odeva i drugi objekti zahvate u zupčanike ili između zupčanika ili drugih rotirajućih delova i time prouzrokuju teške povrede.



Ovaj znak označava opasnost od električnog udara.



Ovaj simbol ukazuje na rizik od nakretanja mašine, koji može da prouzrokuje udar ili prelome.



Ovaj simbol znači da ne nosite rukavice dok radite sa mašinom da bi smanjili rizik od zaplitanja.



Ovaj simbol pokazuje da treba koristiti pomoćnu alatku koja služi za odupiranje silama narezivanja navoja, poboljšanje kontrole, smanjenje opasnosti od udaranja, nagnječenja i/ili drugih povreda.

## Opšta sigurnosna upozorenja za električne alate\*

### ⚠ UPOZORENJE

**Pročitajte sva bezbednosna upozorenja, uputstva, ilustracije i specifikacije koje ste dobili uz ovaj električni alat. Nepridržavanje svih uputstava nabrojanih ispod može imati za posledicu električni udar, požar i/ili tešku povredu.**

### SAČUVAJTE SVA UPOZORENJA I UPUTSTVA ZA BUDUĆE KORIŠĆENJE!

Izraz "uređaj na struju" u upozorenjima se odnosi na uređaj koji je kablom priključen na električnu mrežu ili bežični uređaj koji radi na akumulatorske baterije.

### Sigurnost radnog područja

- **Pobrinite se da radno područje bude čisto i dobro osvetljeno.** Neuredna ili mračna područja su pogodna za nesreće.

- **Nemojte raditi sa električnim alatima u eksplozivnim atmosferama, kao što su one u kojima postoje zapaljive tečnosti, gasovi ili prašina.** Električni alati stvaraju varnice koje mogu zapaliti prašinu ili gasove.
- **Držite decu i posmatrača na udaljenosti u toku rada sa električnim alatom.** Ometanje vam može odvratiti pažnju i dovesti do gubitka kontrole.

### Zaštita od struje

- **Utikači električnih alata moraju biti prilagođeni utičnicama. Ni u kom slučaju nemojte prepravljati utikač. Sa uređajima na struju koji treba da su uzemljeni nemojte da koristite nikakve adaptore za utikač.** Korišćenje nemodifikovanih utikača i odgovarajućih utičnica smanjuje opasnost od strujnog udara.
- **Izbegavajte telesni kontakt sa uzemljenim površinama, kao što su cevi, radijatori, šporeti i**

\*Tekst korišćen u poglavlju Opšta bezbednosna upozorenja ovog priručnika je doslovno preuzet, koliko je to bilo potrebno, iz važećeg standarda UL/CSA 62841. Ovo poglavlje sadrži opšta sigurnosna pravila tehničke eksploatacije za nekoliko različitih tipova električnih alata. Svaka mera predostrožnosti nije primenljiva na svaki alat i samo neke se mogu primeniti na ovaj alat.

**rashladni uređaji.** Ako je vaše telo uzemljeno postoji povećana opasnost od električnog udara.

- **Električne alate ne izlažite na kiši ili pri mokrim uslovima.** Ukoliko uđe voda u električni alat povećava se rizik od električnog udara.
- **Nemojte zloupotrebljavati gajtan.** Gajtan nemojte nikada upotrebljavati za nošenje, vešanje alata ili za izvlačenje utikača električnog alata iz utičnice. Neka kabl bude daleko od izvora toplote, ulja, oštih ivica ili pokretnih delova. Oštećeni ili zapetljani kabl povećava opasnost od električnog udara.
- **Kada sa električnim alatom radite izvan kuće, koristite produžni gajtan koji je pogodan za korišćenje na otvorenom.** Korišćenje gajtana koji je pogodan za korišćenje na otvorenom smanjuje rizik od strujnog udara.
- **Ako je rad sa električnim alatom na vlažnom mestu neizbežan, upotrebite napajanje sa zaštitom (GFCI - prekidač strujnog kola u slučaju greške uzemljenja).** Korišćenje GFCI smanjuje rizik od strujnog udara.

## Lična zaštita

- **Budite u pripravnosti, koncentrišite se na svoj posao i oslanjajte se na zdrav razum pri radu sa električnim alatom.** Nemojte da koristite uređaj na struju ako ste umorni ili pod uticajem droga, alkohola ili lekova. Trenutak nepažnje pri korišćenju električnih alata može imati za posledicu tešku telesnu povredu.
- **Koristite opremu za ličnu zaštitu. Uvek nosite zaštitu za oči.** Oprema za ličnu zaštitu, kao na primer maska za zaštitu od prašine, neklizajuće zaštitne cipele, zaštitna kaciga ili štitnici za uši, koja se koristi za odgovarajuće uslove, smanjiće opasnost od povreda.
- **Sprečite slučajno pokretanje.** Proverite da li je prekidač na poziciji OFF (isključeno) pre nego što povežete izvor struje i/ili bateriju, podignite ili nosite alat. Ukoliko nosite električni alat tako što vam je prst na prekidaču ili ako stavite pod napon električni alat koji je uključen, izazvaćete nezgodu.
- **Pre uključivanja električnog alata uklonite sve ključeve i alatke za podešavanje.** Francuski ključ ili ključ koji je ostavljen zakačen na deo uređaja na struju koji se okreće može da dovede do povrede.
- **Nemojte se naginjati nad radne delove uređaja.** Proverite da li stojite na čvrstoj podlozi i u svakom trenutku zadržite ravnotežu. To Vam omogućava bolju kontrolu nad električnim alatom u neočekivanim situacijama.
- **Budite prikladno obučeni.** Nemojte nositi neučvršćenu odeću ili nakit. Držite vašu kosu, odeću i rukavice što

**dalje od pokretnih delova.** Odrešena odeća, nakit ili kosa može biti uhvaćena u pokretne delove.

- **Ukoliko su uređaji namenjeni za povezivanje jedinica izvlačenje i sakupljanje prašine, uverite se da su povezane i korišćene na ispravan način.** Sakupljanje prašine može smanjiti opasnosti prouzrokovane prašinom.
- **Nemojte dozvoliti da vas poznavanje rukovanja koje ste dobili čestom upotrebom alata učini neopreznim i učini da zanemarite bezbednosne principe rukovanja alatom.** Neoprezan rad može prouzrokovati tešku povredu u deliću sekunde.

## Upotreba i briga o električnom alatu

- **Nemojte da silite električni alat.** Koristite odgovarajući alat za datu namenu. Pravilno izabran alat na struju će završiti posao bolje i sigurnije za potrebnu namenu.
- **Nemojte da koristite alat na struju ukoliko ga prekidač ne okreće ON (uključeno) i OFF (isključeno).** Svaki električni alat koji se ne može kontrolisati prekidačem je opasan i mora se opraviti.
- **Izvadite utikač iz izvora napajanja i/ili uklonite bateriju iz električnog alata, ako je moguće, pre sprovođenja bilo kakvih izmena, promene dodatka ili njegovog odlaganja.** Takve preventivne sigurnosne mere smanjuju rizik od slučajnog pokretanja električnog alata.
- **Odložite alat koji ne koristite van domašaja dece i nemojte da dozvolite osobama koje nisu upoznate sa električnim alatom ili ovim uputstvima da koriste alat.** Alat je opasan u rukama neobučениh korisnika.
- **Održavajte električni alat i dodatke.** Proverite da alat nije pogrešno namešten ili da nisu pogrešno spojeni pokretni delovi, da delovi nisu polomljeni kao i sve druge razloge koji mogu da utiču na rad električnog alata. Ako se ošteti, električni alat pre upotrebe, popravite. Loše održavani električni alati su uzrok mnogih nezgoda.
- **Održavajte rezne alate ostrim i čistim.** Pravilno održavani rezni alati oštih reznih ivica se ređe splepljuju i lakše ih je kontrolisati.
- **Koristite električni alat, dodatni pribor i nastavke alata itd. u skladu sa ovim uputstvima, imajući u vidu radne uslove i posao koji treba uraditi.** Korišćenje električnog alata za rad drugačiji od onog za šta je namenjen može dovesti do opasnih situacija.
- **Održavajte ručke i površine za hvatanje suvim, čistim i bez ulja i masti.** Klizave ručke i površine za hvatanje ne omogućuju sigurno rukovanje i kontrolu nad alatom u nepredviđenim situacijama.



## Servisiranje

- **Električni alat može popravljati samo kvalifikovano servisno osoblje koje upotrebljava identične rezervne delove.** To će omogućiti da se održi sigurnost električnog alata.

## Posebne sigurnosne informacije

### ⚠ UPOZORENJE

**Ovo poglavlje sadrži važne sigurnosne informacije koje su specifične za ovaj alat.**

**Pažljivo pročitajte ove mere predostrožnosti pre upotrebe električne nareznice da biste smanjili opasnost od strujnog udara ili ozbiljnih povreda.**

### SAČUVAJTE OVA UPUTSTVA!

Držite ovaj priručnik u blizini mašine da bi ga rukovalac mogao upotrebiti.

## Bezbednost električne nareznice

- **Uvek koristite pomoćnu alatku koja je isporučena sa alatom.** Gubitak kontrole tokom rada može prouzrokovati telesnu povredu.
- **Rukave i jakne držite zakopčane dok radite sa alatom. Ne previjajte se preko alata ili cevi.** Odeća može biti zahvaćena od strane cevi ili alata prouzrokujući zaplitanje.
- **Samo jedna osoba mora da kontroliše proces rada i funkcionisanje alata.** Uplitanje dodatnih lica u proces može prouzrokovati neželjeno uključivanje i povredu.
- **Neka podovi budu suvi i da nemaju klizave materije kao što je ulje.** Nezgode se dešavaju na klizavim podovima.
- **Ne nosite rukavice dok radite sa alatom. Ne previjajte se preko alata ili cevi.** Rukavice mogu biti zahvaćena od strane cevi ili alata prouzrokujući zaplitanje.
- **Uvek čvrsto držite električnu nareznicu tokom narezivanja ili naslanjanja narezne glave na cev da biste se oduprli silama narezivanja navoja, bez obzira na to što koristite pomoćnu alatku.** Time ćete smanjiti opasnost od udaranja, nagnječenja i drugih povreda.
- **Sledite uputstva o ispravnoj upotrebi koja se nalaze na mašini. Nemojte koristiti za druge namene kao što je bušenje rupa ili okretanje vitla.** Druga upotreba ili prepravka ove mašine za druge poslove može povećati rizik od ozbiljnih povreda.
- **Nemojte koristiti električnu nareznicu ako je prekidač za uključivanje/isključivanje polomljen.** Ovaj prekidač je bezbednosni uređaj koji vam omogućava da isključite motor puštanjem prekidača.

- **Ne upotrebljavajte tupe ili oštećene nareznice.** Oštar rezni alat iziskuje manji obrtni momentat i električnu nareznicu je lakše kontrolisati.
- **Održavajte ručke suvim i čistim; bez ulja i masti.** Time se postiže bolja kontrola alata.
- **Sa RIDGID električnim nareznicama koristite isključivo RIDGID narezne glave.** Druge narezne glave se možda neće dobro uklopiti u električnu nareznicu što će povećati opasnost od oštećenja opreme i povređivanja.

Ako imate nekih pitanja u vezi sa ovim RIDGID® proizvodom:

- Obratite se svom lokalnom RIDGID distributeru.
- Posetite RIDGID.com da pronađete lokalni kontakt firme RIDGID.
- Kontaktirajte Odeljenje za tehničke usluge kompanije Ridge Tool na [rtctechservices@emerson.com](mailto:rtctechservices@emerson.com) ili ako ste u SAD ili Kanadi pozovite (800) 519-3456.

## Opis, tehnički podaci i standardna oprema

### Opis

Električne nareznice marke RIDGID®, modeli 600-I i 690-I, uređaji su s dvostrukom izolacijom za narezivanje cevi i cevovoda. Rotiranje unapred ili unazad moguće je izabrati kliznim prekidačem, dok funkcijom UKLJ/ISKLJ. upravlja kontakt prekidač s dva položaja.

Električna nareznica 600-I konstruisana je tako da koristi upuštene narezne glave RIDGID 11-R (cev od 1/8" – 1 1/4"). Električna nareznica 690-I konstruisana je tako da koristi upuštene narezne glave RIDGID 11-R (cev od 1/8" – 2"). Potreban je adapter da bi se električna nareznica 690-I koristila za cevi veličine 1/8" – 1 1/4". Adapter i cevi veličine 1 1/2" – 2" drže se u električnoj nareznici 690-I pomoću zadržavajućeg mehanizma.



Slika 1 – Električna nareznica model 600-I



Slika 2 – Električna nareznica model 690-I



Slika 3 – 602/692 Potporne stege

Pločica sa serijskim brojem mašine kod električne nareznice 600-I i električne nareznice 690-I nalazi se na donjem delu kućišta motora. Poslednje 4 cifre u serijskom broju ukazuju na mesec i godinu proizvodnje (MMGG).

<b>RIDGID</b>			
Ridge Tool Company, Elyria, Ohio, U.S.A.			
Model No.	600-I	~	50 / 60 Hz
V	230	A	5
Capacity	1/8" - 1 1/4"	n <sub>o</sub>	32 /min
Serial No.			

Slika 4 – Serijski broj mašine

## Standardna oprema

Uz model 600-I/690-I isporučuje se sledeće:

- Električna nareznica
- Adapter 690-I (samo za 690-I)
- Priručnik za rukovaoca

**OBAVEŠTENJE** Izbor odgovarajućih materijala i metode montaže, spajanja i oblikovanja je odgovornost sistem inženjera i/ili montažera. Izbor neodgovarajućih materijala i metoda može prouzrokovati sistemsku grešku.

Nerđajući čelik i drugi materijali otporni na koroziju se mogu kontaminirati u toku montaže, spajanja i oblikovanja. Ova kontaminacija može da dovede do korozije i preranog kvara. Pažljiva procena materijala i metoda za specifične servisne uslove, uključujući hemikalije i temperaturu, treba da se obavi pre nego što se pokuša montaža.

## Tehnički podaci

Parametar	Električna nareznica 600-I	Električna nareznica 690-I
Kapacitet narezivanja cevi	1/8 do 1 1/4 inča (3 do 32 mm)	1/8 do 2 inča (3 do 50 mm)
Držać narezne glave	Prsten sa oprugom	Zaporni mehanizam (1 1/2 – 2 inča) Prsten sa oprugom (1/8 – 1 1/4 inča)
Levi navoji	Da	Da
Pomoćne poluge	br. 602, br. 601	br. 692, br. 691
Adapter	Nije potreban.	Koriste se za narezne glave od 1/8" do 1 1/4".
Tip motora	Univerzalni motor, monofazni	Univerzalni motor, monofazni
Vati	1270 (120 V), 1020 (220-240 V)	1270 (120 V), 1020 (220-240 V)
Napon/faza	120 V/1PH, 220-240 V/1PH	120 V/1PH, 220-240 V/1PH
A	12 A (120 V), 5 A (220-240 V)	12 A (120 V), 5 A (220-240 V)
Radna brzina (o/min)	36 (120 V), 32 (220-240 V)	36 (120 V), 32 (220-240 V)
Upravljački elementi	Klizni prekidač napred/nazad Kontakt prekidač s dva položaja za UKLJ/ ISKLJ	Klizni prekidač napred/nazad Kontakt prekidač s dva položaja za UKLJ/ ISKLJ
Glava zupčanika	Aluminijum liven pod pritiskom, stalno podmazivanje	Aluminijum liven pod pritiskom, stalno podmazivanje
Dužina	20 inča (508 mm)	24,13 inča (613 cm)
Širina	3,75 inča (95 cm)	4,75 inča (121 cm)
Visina	7,5 inča (191 cm)	8 inča (203 cm)
Težina	12,65 lbs (5,7 kg)	21,15 lbs (9,6 kg)
Zvučni pritisak (LPA)*	83 dB(A), K=3	83 dB(A), K=3
Snaga zvuka (LWA)*	94 dB(A), K=3	94 dB(A), K=3
Vibracije*	< 2,5 m/s <sup>2</sup> , K=1,5	< 2,5 m/s <sup>2</sup> , K=1,5

\* Merenje zvuka i vibracija je izvršeno u skladu sa standardizovanim testovima po standardu IEC62841-1.

- Nivoi vibracija se mogu koristiti za poređenje sa drugim alatima i za preliminarnu procenu izloženosti.

- Emisija zvuka i vibracija može varirati usled lokacije i konkretne upotrebe ovih alata.

- Nivo dnevne izloženosti na zvuk i vibracije se mora proceniti za svaku pojedinačnu primenu i ako je potrebno, moraju se preduzeti prikladne sigurnosne mere. Procena nivoa izloženosti mora uzeti u obzir vreme kada je alat isključen i nije u upotrebi. Ovo može značajno umanjiti nivo izloženosti u toku ukupnog radnog perioda.

## Pregled pre upotrebe

## ⚠ UPOZORENJE



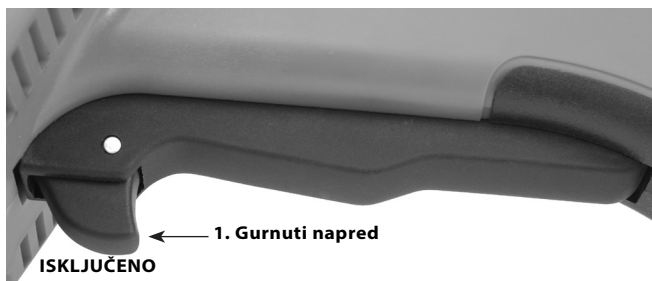
**Pre svake upotrebe pregledajte električnu nareznicu i otklonite sve probleme da biste smanjili opasnost od povređivanja strujnim udarom, nagnječenjem ili na druge načine, i da biste onemogućili oštećivanje električne nareznice.**

1. Prekinite napajanje električne nareznice.
2. Potpuno očistite ulje, mazivo ili prljavštinu sa električne nareznice i pomoćne alatke, sa drški i kontrola. Ovo olakšava pregled i pomaže u zaštiti mašine ili komandi od klizanja u vašim rukama.

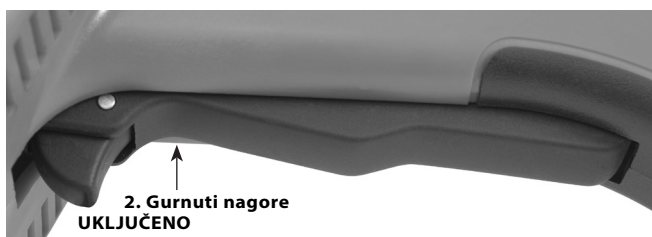
3. Kod električne nareznice i potporne stege proverite sledeće:

- Da li su kabl ili utikač oštećeni ili modifikovani.
- Da li je sve ispravno sastavljeno, održavano i kompletno.
- Da li ima oštećenih, pogrešno nameštenih ili zakočenih delova.
- Da li kontakt prekidač s dva položaja za UKLJ/ISKLJ. radi ispravno (Slika 5).
- Da li su zupci potporne stege čisti i u dobrom stanju. Zupci se mogu očistiti žičanom četkom.
- Da li postoji nalepnica sa upozorenjem i da li je čitljiva.
- Bilo koje drugo stanje koje može uticati na bezbednost i sprečiti normalan rad.

Ako ustanovite bilo koji od ovih problema, nemojte da koristite električnu nareznicu ili pomoćnu alatku dok se problemi ne otklone.



Slika 5A – Kontakt prekidač s dva položaja za UKLJ/ISKLJ

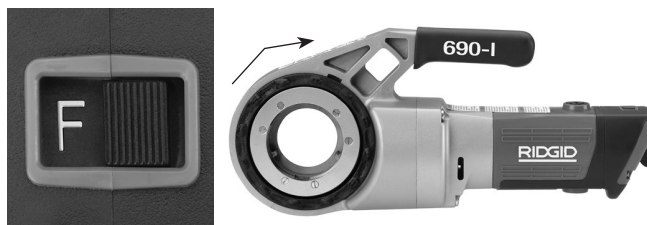


Slika 5B – Kontakt prekidač s dva položaja za UKLJ/ISKLJ

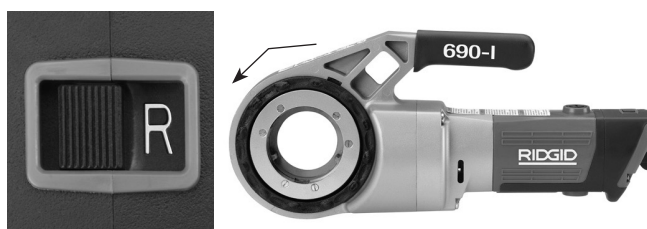
4. Proverite da li su rezne ivice nareznice pohabane, deformisane, da li na njima ima strugotina ili drugih problema. Tup ili oštećen rezni alat povećava iznos potrebne sile, proizvodi loš kvalitet navoja i povećava rizik od povreda.
5. Proverite svaku drugu opremu i izvršite njeno održavanje u skladu sa uputstvima kako biste bili sigurni da će raditi ispravno.
6. Sledeći uputstva za podešavanje i rad proverite da li električna nareznica funkcioniše ispravno.
  - Stavite F/R (unapred/unazad) prekidač u položaj F. Pritisnite i pustite prekidač ON/OFF (Slika 5). Proverite da li se električna nareznica okreće u smeru kazaljke na satu (Pogledajte sliku 6) i da li se zaustavlja kada pustite prekidač.
  - Ponovite postupak za rad UNAZAD (u smeru suprotnom od kazaljke na satu). Ukoliko se električni alat ne okreće u ispravnom smeru ili nožni prekidač ua UKLJ./ISKLJ: ne kontroliše rad mašine, nemojte da koristite mašinu dok se ne popravi.

**OBAVEŠTENJE** Promenite položaj F/R kliznog prekidača tek kada pustite okidni prekidač ON/OFF. Ostavite električnu nareznicu da se potpuno zaustavi pre nego što promenite smer okretanja pomoću F/R kliznog prekidača. Time ćete smanjiti opasnost od oštećivanja električne nareznice.

- Pritisnite i držite prekidač ON/OFF. Proverite pokretne delove da nisu pogrešno poređani, ili pogrešno ukopčani, da nema čudnih zvukova ili nekog drugog neobičnog stanja. Otpustite ON/OFF prekidač. Ako otkrijete bilo kakvo neobično stanje, nemojte da koristite mašinu dok se ne popravi.



Slika 6A – F (FORWARD/napred/) (u smeru kazaljke na satu) položaj prekidača



Slika 6B – R (REVERSE /obrnuto/) (suprotno od kazaljke na satu) položaj prekidača

7. Pustite prekidač ON/OFF i suvim rukama isključite mašinu iz struje.

## Podešavanje i rad

### ⚠ UPOZORENJE



**Podesite električnu nareznicu i koristite je u skladu sa ovim procedurama da biste smanjili opasnost od povređivanja usled strujnog udara, upetljavanja, udaranja, nagnječenja i drugih uzroka, i da ne bi došlo do oštećenja same električne nareznice.**

**Koristite odgovarajuću pomoćnu alatku u skladu sa ovim uputstvima. Pomoćna alatka poboljšava kontrolu i smanjuje opasnost od udaranja, nagnječenja i/ili drugih povreda.**

**Kada ne koristite priloženu potpornu stegu već neku drugu pomoćnu alatku, ta pomoćna alatka mora da se oslanja na kućište zupčanika ili kućište ventilatora. Pomoćne alatke koje dodiruju kućište motora ili ručku mogu da ih oštete ili povećaju opasnost od povrede.**

**Uvek čvrsto držite električnu nareznicu tokom narezivanja ili naslanjanja narezne glave na cev da biste se oduprli silama, bez obzira na to što koristite pomoćnu alatku. Time ćete smanjiti opasnost od udaranja, nagnječenja i drugih povreda.**

**Nemojte nositi rukavice ili labavu odeću. Rukavi i jakne treba da budu zakopčani. Široka odeća može da se uhvati u delove koji se okreću i na taj način da izazove povrede sa prelomima.**

**Poduprite cev na odgovarajući način. Time ćete smanjiti opasnost od pada cevi, zakretanja i ozbiljnog povređivanja.**

**Nemojte koristiti električnu nareznicu ako prekidač ON/OFF i klizni prekidač F/R ne rade kako treba.**

**Jedna osoba mora da kontroliše proces rada i ON/OFF prekidač. Nemojte da radite sa više, već sa jednom osobom. U slučaju nezgode radnik na mašini mora da ima kontrolu nad prekidačem za ON/OFF.**

1. U radnom području proverite sledeće:

- Odgovarajuće osvetljenje.
- Zapaljive fluide, pare ili prašinu koja se može zapaliti. Ako otkrijete nešto od navedenog, nemojte raditi u tom području sve dok ne prepoznate i uklonite problem. Električne nareznice nisu otporne na eksploziju i mogu stvarati varnice.
- Očistite, poravnajte, stabilizujte, osušite mesto za svu opremu i za operatera.
- Dobra ventilacija. Nemojte je koristiti prekomerno u malim i zatvorenim prostorijama.
- Propisno instalirana električna utičnica odgovarajućeg napona. Ukoliko niste sigurni, neka ovlašćeni električar proveriti utičnicu.
- Oslobodite prostor za električnu utičnicu, koji ne sadrži moguće izvore oštećenja kabla za napajanje.

2. Proverite cev koju treba narezati kao i prateću armaturu, i uverite se da je izabrana električna nareznica odgovarajući alat za posao. *Pogledajte specifikacije.* Koristite isključivo za narezivanje ravnih cevi.

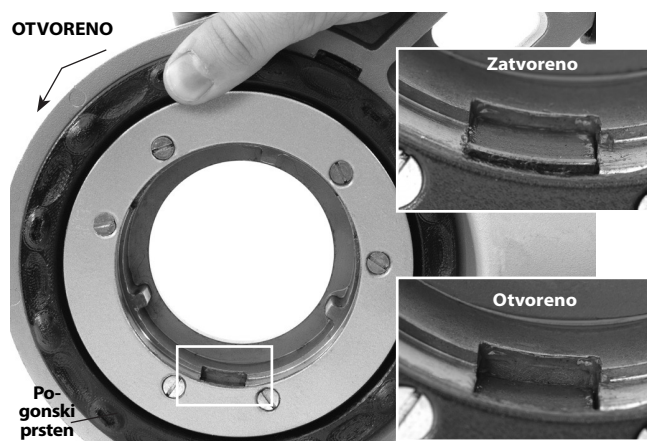
Opremu za druge namene možete pronaći u katalogu kompanije Ridge Tool, onlajn na RIDGID.com ili ako pozovete Odeljenje za tehničke usluge kompanije Ridge Tool u SAD i Kanadi na (800) 519-3456.

3. Postarajte se da oprema koja će se koristiti bude odgovarajuće pregledana.

4. Pripremite cev na odgovarajući način. Cev treba seći pod pravim uglom i treba je očistiti. Cev presečena pod uglom može da ošteti nareznice tokom narezivanja ili može otežati puštanje u rad narezne glave.

## Montiranje nareznih glava

5. Ugradnja narezne glave od 1½" ili 2" ili adaptera u 690-I:
  - a. Proverite da li je prekidač ON/OFF pušten i da li je električna nareznica isključena iz struje.
  - b. Okrenite pogonski prsten u smeru suprotnom od kazaljke na satu da biste otvorili zadržavajući mehanizam. Užlebljeni kraj narezne glave ili adaptera (ako je potreban) potpuno umetnite u električnu nareznicu (Slika 7).
  - c. Pustite pogonski prsten i proverite da li narezna glava/adapter stoji čvrsto.
  - d. Za uklanjanje treba sprovesti obrnuti postupak.



Slika 7 – Zadržavajući mehanizam, pogonski prsten u položaju otvoreno/zatvoreno



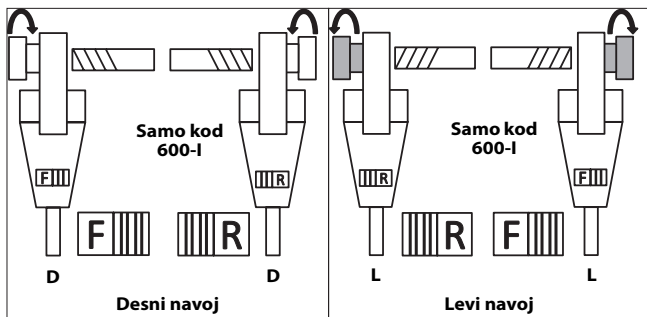
Slika 8 – Stavljanje adaptera u 690-I

6. Ugradnja nareznih glava od 1¼" ili manjih:
  - a. Proverite da li je prekidač ON/OFF pušten i da li je električna nareznica isključena iz utičnice.
  - b. Ako je potrebno, u 690-I ugradite adapter (*Slika 8*).
  - c. Pod pravim uglom gurajte osmougaoni kraj narezne glave 11-R u električnu nareznicu sve dok je ne fiksira prsten sa oprugom. Na modelu 600-I narezna glava može biti umetnuta sa bilo koje strane električne nareznice. Kod modela 690-I narezne glave mogu biti umetnute samo na strani na kojoj se nalazi adapter.
  - d. Da biste uklonili nareznu glavu, izvucite je iz električne nareznice. Ako je potrebno, koristite čekić s mekom glavom ili komad drveta da biste izgurali napolje nareznu glavu. Nemojte udarati direktno u nareznu glavu jer je time možete oštetiti.



**Slika 9 – Stavljanje narezne glave u električnu nareznicu 600-I**

7. Klizni prekidač F/R na električnoj nareznici stavite u potrebni položaj za pravljenje desnog ili levog navoja. Pogledajte sliku 10.



**Slika 10 – Orijentacija kliznog prekidača/narezne glave**

8. Postarajte se da cev na koju će se narezati navoj bude stabilna i pričvršćena da ne bi došlo do njenog okretanja tokom upotrebe. Koristite odgovarajuće stalke kojima ćete podupreti dužinu cevi.

9. Proverite nivo RIDGID ulja za narezivanje navoja u podmazivaču RIDGID 418. Uklonite posudu za opiljke i proverite da li je sito filtera čisto i potpuno potopljeno u ulju. Zamenite ili dodajte ulje ako je potrebno. Kofu podmazivača 418 stavite ispod kraja cevi na kojem će biti narezan navoj.

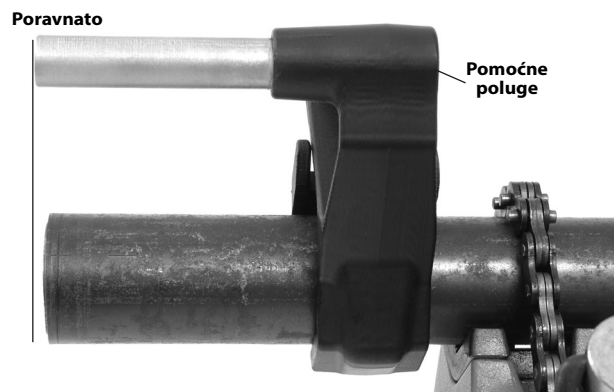
## Odpiranje silama narezivanja navoja

Upotreba priložene potporne stege:

- a. Uvek koristite priloženu potpurnu stegu (potpurnu stegu 601 ili 602 za 600-I, potpurnu stegu 691 ili 692 za 690-I) izuzev ako je nije moguće koristiti zbog prostora ili drugih ograničenja. Potporna stega steže cev i doprinosi opiranju silama narezivanja navoja.
- b. Potpurnu stegu tako postavite na cev da kraj potporne stege bude u ravni s krajem cevi, a da gornji deo potporne stege bude u horizontalnom položaju (*Slika 11*). Time se potporna stega postavlja u odgovarajući položaj za narezivanje i onemogućava se da ulje za narezivanje dospe u motor (*Slika 12*).
- c. Čeljusti potporne stege postavite pod pravim uglom u odnosu na cev i zatim čvrsto zategnite potpurnu stegu.



**Slika 11A – Postavljanje potporne stege**



**Slika 11B – Postavljanje potporne stege**



Slika 12 – Ispravan položaj električne nareznice

Kada potporna stega ne može da se koristi:

Kada treba narezati fiksiranu cev ili koristiti nareznicu u slične svrhe, potporna stega možda neće moći da se koristi zbog ograničenog prostora.

- a. Ako je moguće uklonite cev i narežite je koristeći stegu. Ako to nije moguće, moraju se koristiti drugi načini koji će pomoći u odupiranju silama narezivanja navoja, kao što je naslanjanje kućišta zupčanika ili kućišta propelera električne nareznice o susednu strukturu (na primer zid, stub ili gredu). Za to je neophodno da cev i njena okolina mogu da izdrže težinu alata i sile narezivanja navoja. Može biti neophodno da se dodaju privremeni ili trajni podupirači cevi ili strukturni elementi.
- b. Da bi napravila desni navoj, narezna glava će se okretati u smeru kazaljke na satu (gledano u prednji deo narezne glave). Sile koje stvara obrtni momenat narezivanja delovaće obrnuto ili u smeru suprotnom od kazaljke na satu. Rotacija i sila biće obrnute prilikom narezivanja levog navoja. Postarajte se da pomoćna alatka bude ispravno postavljena da bi mogla da apsorbuje sile narezivanja navoja.
- c. Na susedni strukturni element nemojte da naslonite motor ili dršku električne nareznice radi odupiranja silama narezivanja navoja jer time možete da oštetite električnu nareznicu.
- d. Držite električnu nareznicu naslonjenu na strukturni element i nemojte stavljati prste ili ruke između električne nareznice i strukturnog elementa. Kada naslanjate nareznu glavu na navoj, uvek čvrsto držite električnu nareznicu da biste se oduprli silama koje mogu da unište navoj. Ovi koraci će smanjiti opasnost od udaranja, nagnječenja i drugih povreda. Prekidač ON/OFF možete biti pušten bilo kada da bi se isključila električna nareznica.

Uvek čvrsto držite električnu nareznicu tokom narezivanja ili naslanjanja narezne glave na cev da biste se oduprli silama, bez obzira na to što koristite pomoćnu alatku. Time ćete smanjiti opasnost od udaranja, nagnječenja i drugih povreda. Prekidač za uključivanje/isključivanje može biti pušten bilo kada da bi se isključila električna nareznica.

## Narezivanje

10. Suvim rukama uključite u struju električnu nareznicu.
11. Stavite nareznu glavu preko kraja cevi i poduprite električnu nareznicu kako je opisano u *Poglavlju o odupiranju silama narezivanja navoja*.



Slika 13 – Početak narezivanja

12. Istovremeno aktivirajte ON/OFF prekidač i dlanom slobodne ruke pritisnite poklopac narezne glave da biste počeli s narezivanjem. Dok gurate poklopac nemojte da nosite rukavice ili nakit i nemojte da koristite krpu jer se time povećava opasnost od upetljavanja i povređivanja. Kada nareznica dotakne cev, navoji će početi da se narezuju dok se nareznica bude navlačila na kraj cevi. Uvek čvrsto držite ručku električne nareznice da biste se oduprli silama koje deluju na ručku. Pomoćne alatke mogu da skliznu i omogućće električnoj nareznici da se pomeri. Prekidač ON/OFF možete biti pušten bilo kada da bi se isključila električna nareznica.
13. Prestanite da pritiskate poklopac i podmazivačem nanesite veliku količinu RIDGID ulja za narezivanje navoja na područje koje se narezuje. Time će se smanjiti obrtni momenat narezivanja, poboljšati kvalitet navoja i produžiti radni vek nareznice.



**Slika 14 – Narezivanje cevi**

14. Pritisnite i držite prekidač ON/OFF sve dok se kraj cevi ne poravnava sa ivicom nareznice i zatim pustite prekidač. Ostavite električnu nareznicu da se potpuno zaustavi.



**Slika 15 – Cev poravnata sa ivicom nareznice**

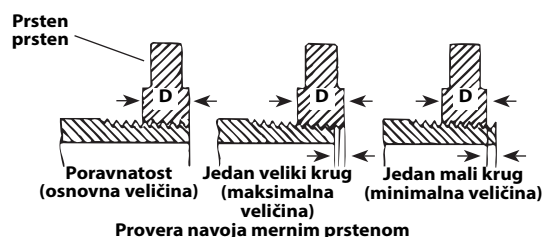
15. Klizni prekidač F/R povucite na drugu stranu i pritisnite ON/OFF prekidač da biste uklonili nareznicu sa narezane cevi. Čvrsto držite ručku električne nareznice da biste se oduprli silama koje deluju na ručku, a koje nastaju tokom skidanja narezne glave.

**OBAVEŠTENJE** Promenite položaj F/R kliznog prekidača tek kada pustite prekidač ON/OFF. Ostavite električnu nareznicu da se potpuno zaustavi pre nego što promenite smer okretanja pomoću F/R kliznog prekidača. Time ćete smanjiti opasnost od oštećivanja električne nareznice.

16. Pustite prekidač i sa cevi skinite električnu nareznicu i nareznicu glavu.
17. Suvim rukama isključite iz struje električnu nareznicu.
18. Obrišite ulje i opiljke sa navoja i narezne glave, pazeći pri tome da se ne posećete na oštre opiljke ili ivice. Iz radnog prostora obrišite prosuto ulje.

## Provera navoja

1. Sa navoja uklonite ulje, opiljke ili ostatke.
2. Vizuelno proverite navoj. Navoji treba da budu glatki i kompletni, i treba da imaju dobar oblik. Ako primetite prekide na navoju, da su navoji tanki ili da je cev donekle izgubila okrugli oblik, navoj možda neće moći dobro da zaptiva. Pogledajte tabelu "Lociranje i uklanjanje kvarova" koja će vam pomoći da otkrijete ove probleme.
3. Proverite veličinu navoja. Najbolja metoda za proveru veličine navoja je pomoću mernog prstena. Postoje razne vrste mernih prstenova i njihova upotreba se može razlikovati od onoga što je prikazano na Slika 16.
  - Čvrsto zategnite merni prsten na navoj.
  - Pogledajte koliko se kraj cevi proteže kroz merni prsten. Kraj cevi treba da bude u istoj ravni sa mernim prstenom, plus ili minus jedan krug. Ako merni prsten pokaže da navoj nije dobar, isecite ga, podesite nareznicu glavu i narežite novi navoj. Korišćenje neadekvatnog navoja može dovesti do curenja.



**Slika 16 – Provera veličine navoja**

- Ako nemate merni prsten kojim biste proverili veličinu navoja, možete da iskoristite novi, čisti priključak kakav inače treba staviti na navoj i time izmeriti njegovu veličinu. Kod NPT navoja veličine 2" i manje, treba ih iseći tako da se čvrsta veza između cevi i armature dobije kada se armatura okrene za 4 do 5 krugova, dok kod BSPT navoja veličine 2" i manje čvrstu vezu treba dobiti nakon 3 kruga.

## Uputstva za održavanje

### ⚠ UPOZORENJE

**Proverite da li je prekidač ON/OFF pušten i da li je mašina isključena iz struje pre nego što počnete sa održavanjem ili podešavanjem.**

**Održavajte alat u skladu sa ovim procedurama da biste smanjili opasnost od povređivanja usled strujnog udara, upetljavanja i drugih uzroka.**



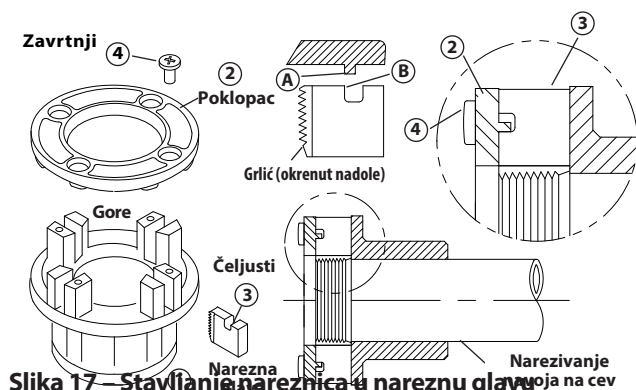
## Čišćenje

1. Nakon svake upotrebe iz posude za opiljke podmazivača 418 ispraznite opiljke nastale narezivanjem i obrišite sve ostatke ulja.
2. Obrišite sve ostatke ulja, maziva, opiljke ili prljavštinu sa električne nareznice, drški i kontrola. Očistite zadržavajući mehanizam na modelu 690-I.
3. Obrišite sve ostatke ulja, maziva ili prljavštinu sa potporne steg. Ako je potrebno žičanom četkom očistite čeljusti potporne steg.
4. Uklonite opiljke i prljavštinu sa narezne glave.

## Zamena nareznica u nareznoj glavi 11-R

U nareznu glavu RIDGID 11-R moguće je montirati razne vrste nareznica. Pogledajte katalog.

1. Uklonite četiri zavrtnja (4) s poklopca (2) i skinite ga.
2. Uklonite stare nareznice (3) iz narezne glave.
3. Umetnite nove nareznice u žljebove tako da ivica s brojevima bude okrenuta nagore. Brojevi na nareznicama moraju se poklapati s brojevima na žljebovima narezne glave. Nareznice uvek menjajte u kompletu.



Slika 17 – Stavljanje nareznica u nareznu glavu

4. Vratite poklopac i malo zategnite četiri zavrtnja.
5. Stavite nareznu glavu na već narezanu cev dok nareznice ne počnu da prave navoj. Ove sile deluju na nareznice (4) zatim na rukavce (4) na poklopcu i podešavaju odgovarajuću veličinu.
6. Čvrsto zategnite četiri zavrtnja. Uklonite cev s navojem i izvršite probno sečenje.

## Zamena četkica u motoru

Četkice motora proveravajte svakih 6 meseci. Zamenite ih kada se istroše na manje od  $\frac{5}{16}$ " (8 mm).



Slika 18 – Stavljanje četkice

1. Isključite mašinu iz struje.
2. Odvijte kapice četkice (slike 1 i 2). Izvadite i proverite četkice. Zamenite ih kada se istroše na manje od  $\frac{5}{16}$ " (8 mm). Proverite kolektor na habanje. U slučaju prekomernog habanja, odnesite alat na servis.
3. Vratite stare ili stavite nove četkice i čvrsto zategnite kapice četkice.
4. Najbolje je da pustite uređaj da 15 minuta radi na prazno unapred i da posle toga radi 15 minuta u suprotnom smeru da bi četkice pre upotrebe dobro nalegle na komutator.

## Dodatna oprema

### ⚠ UPOZORENJE

Da biste smanjili opasnost od ozbiljnog povređivanja koristite isključivo pribor koji je posebno konstruisan i predviđen za modele električne nareznice 600-I i 690-I, poput onih koji su navedeni u daljem tekstu. Pribor koji je predviđen za druge alate može predstavljati opasnost kada se koristi s modelima električne nareznice 600-I i 690-I.

### Pribor za električne nareznice 600-I i 690-I

Kataloški br.	Opis
45923	602 Potporna stega
45928	692 Potporna stega
46668	600-I Prenosna kutija
46673	690-I Prenosna kutija
10883	418 Podmazivač sa 1 galonom (3,8 litara) čistog mineralnog ulja
16703	425 Stega TRISTAND od $\frac{1}{8}$ " - $2\frac{1}{2}$ "
36273	460-6 Stega TRISTAND od $\frac{1}{8}$ " - 6"
45543	Četkice od 115 V
45588	Četkice od 230V

Dodatne informacije o priboru predviđenom za ovaj alat mogu se naći u RIDGID katalogu i onlajn na RIDGID.com

## Skladištenje mašine

**⚠ UPOZORENJE** Električne nareznice se moraju držati u zatvorenom prostoru ili moraju biti dobro pokrivena po kišnom vremenu. Skladištite ovu mašinu u zaključanom prostoru izvan domašaja dece i osoba koje nisu upoznate sa mašinama. U rukama korisnika koji nisu obučeni mašina može prouzrokovati teške povrede.

## Servisiranje i popravke

**⚠ UPOZORENJE**  
**Neodgovarajuće servisiranje ili popravak može učiniti mašinu opasnom za rad.**

Uputstva za održavanje će se pobrinuti za najčešće servisne potrebe ove mašine. Sve probleme koji nisu navedeni u ovom poglavlju treba da otkloni ovlašćeni servisni tehničar firme RIDGID.

Alat treba da odnesete u nezavisni ovlašćeni servisni centar RIDGID ili da ga vratite proizvođaču. Koristite isključivo RIDGID servisne delove.

Za dodatne informacije o vama najbližem nezavisnom ovlašćenom RIDGID servisnom centru ili pitanjima u vezi popravke ili servisa:

Obratite se svom lokalnom RIDGID distributeru.

- Posetite RIDGID.com da biste pronašli lokalnog zastupnika kompanije RIDGID.
- Kontaktirajte Odeljenje za tehničke usluge kompanije Ridge Tool na [rtctechservices@emerson.com](mailto:rtctechservices@emerson.com) ili ako ste u SAD ili Kanadi pozovite (800) 519-3456.

## Ulje za narezivanje

Za informacije o upotrebi i rukovanju RIDGID® uljem za narezivanje navoja pogledajte nalepnice na posudi i Sigurnosno-tehnički list materijala (MSDS). MSDS možete pronaći na RIDGID.com ili ga dobiti ako kontaktirate Odeljenje za tehničke usluge kompanije Ridge Tool na (800) 519-3456 ako ste u SAD ili Kanadi, ili na [rtctechservices@emerson.com](mailto:rtctechservices@emerson.com).

## Odstranjivanje

Delovi električne nareznice sadrže vredne materijale koji se mogu reciklirati. Pronađite lokalne firme koje se bave reciklažom. Odstranite sastavne delove u skladu sa svim primenjivim zakonskim propisima. Kontaktirajte lokalnu instituciju za upravljanje otpadom za više informacija.



**Za države EU:** Ne bacajte električnu opremu zajedno sa otpadom iz domaćinstva!

U skladu sa Evropskom smernicom 2012/19/-EU o otpadnoj električnoj i elektronskoj opremi i njenoj primeni u lokalnom zakonodavstvu, električna oprema koja se više ne može upotrebiti, mora se odvojeno sakupiti i odložiti na odgovarajući ekološki način.

## Lociranje i uklanjanje kvarova

INDIKACIJA	MOGUĆI RAZLOZI	REŠENJE
<b>Mašina na radi.</b>	Četkice ne dodiruju armaturu.	Proverite četkice, zamenite ih ako su istrošene.
<b>Mašina ne može da nareže navoj.</b>	Tupe nareznice. Preopterećenje zbog pohabanih navoja ili navoja nepravilnog oblika. Loš kvalitet ili nedovoljna količina ulja za narezivanje navoja. Nedovoljan napon u mreži.	Zamenite nareznice. Moguće uzroke vidite ispod.  Koristite odgovarajuću količinu RIDGID® ulja za narezivanje navoja. Proverite snabdevanje naponom.
<b>Na komutatoru motora nastaju varnice.</b>	Nedovoljan kontakt između četkica i komutatora. Četkice ne dodiruju komutator kako treba. Četkice drugog proizvođača. Nove četkice.	Zategnite kapice četkica da biste bili sigurni da četkice čvrsto naležu na komutator. Zamenite istrošene četkice i/ili armaturu. Koristite isključivo RIDGID® četkice. Omogućite četkicama da dobro nalegnu uključivanjem uređaja da radi na prazno 15 minuta unapred i unazad.
<b>Narezna glava ne počinje s narezivanjem.</b>	Narezna glava ne naleže pod pravim uglom na kraj cevi. Sila zahvata nije ispravno primenjena na nareznju glavu. Kraj cevi nije isečen pod pravim uglom. Tupe ili polomljene nareznice. Mašina radi u pogrešnom smeru. Nareznice nisu dobro postavljene u nareznoj glavi.	Pritisnite poklopac narezne glave da počela s narezivanjem. Primenite silu zahvata kroz centralnu liniju cevi. Isecite kraj cevi pod pravim uglom. Zamenite nareznice. Proverite položaj kliznog F/R prekidača. Proverite da li su češljaste nareznice navoja okrenute prema napolje ka rukavcima poklopca.
<b>Pokidani navoji.</b>	Oštećene, sastrugane ili istrošene nareznice. Neodgovarajuće ulje ili nedovoljna količina ulja za narezivanje navoja. Pogrešna vrsta nareznice za dati materijal. Loš materijal/kvalitet cevi.	Zamenite nareznice.  Koristite isključivo RIDGID® ulje za narezivanje navoja u odgovarajućoj količini. Izaberite nareznice od nerđajućeg čelika za velike brzine ili nareznice od legure koje odgovaraju predviđenoj nameni. Koristite kvalitetnije cevi.
<b>Navoji nepravilnog oblika ili iskrzani navoji.</b>	Zid cevi je suviše tanak.	Koristite cevi čija je debljina zida 40 ili veća.
<b>Pomoćna alatka se okreće tokom narezivanja.</b>	Čeljusti potporne stege su isprljane. Potporna stega nije dobro podešena.  Potporna stega nije zategnuta.	Očistite žičanom četkom. Podesite potpornu stegu tako da bude pod pravim uglom u odnosu na cev. Zategnite zavrtanj za pomeranje.
<b>Tanki navoji.</b>	Nareznice nisu postavljene ispravnim redosledom.	Stavite nareznice u odgovarajuće žljebove u nareznoj glavi.



# Силовые приводы

## 600-1/690-1



### **⚠ ВНИМАНИЕ!**

Перед началом эксплуатации инструмента внимательно прочитайте данное Руководство по эксплуатации. Непонимание и несоблюдение содержания данного руководства может привести к поражению электрическим током, пожару и/или серьезной травме.

#### Силовые приводы 600-1/690-1

Запишите серийный номер, указанный далее, и сохраните серийный номер, указанный на фирменной табличке.

Серийный  
№

--	--

## Содержание

<b>Бланк для записи серийного номера инструмента</b> .....	323
<b>Знаки безопасности</b> .....	325
<b>Основные предупреждения по безопасному использованию электроприбора</b> .....	325
Безопасность в рабочей зоне .....	325
Электробезопасность.....	326
Личная безопасность.....	326
Использование и уход за электроприбором.....	326
Техническое обслуживание .....	327
<b>Информация по технике безопасности при работе с данным инструментом</b> .....	327
Техника безопасности при использовании силового привода .....	327
<b>Описание, технические характеристики и стандартные принадлежности</b> .....	328
Описание .....	328
Стандартные принадлежности .....	329
Технические характеристики .....	329
<b>Предэксплуатационный осмотр</b> .....	330
<b>Подготовка и эксплуатация устройства</b> .....	331
Установка резьбонарезных головок.....	332
Противодействие силам резьбонарезания.....	333
Нарезание резьбы .....	334
Проверка резьбы .....	335
<b>Инструкция по техническому обслуживанию</b> .....	336
Чистка .....	336
Замена гребенок в резьбонарезных головках 11-R.....	336
Замена щеток в электродвигателе .....	336
<b>Дополнительные принадлежности</b> .....	337
<b>Хранение инструмента</b> .....	337
<b>Обслуживание и ремонт</b> .....	337
<b>Масло для нарезания резьбы</b> .....	337
<b>Утилизация</b> .....	338
<b>Поиск и устранение неисправностей</b> .....	338
<b>Декларация соответствия ЕС</b> .....	Внутренняя сторона задней обложки
<b>Пожизненная гарантия</b> .....	Задняя обложка

\* Перевод исходных инструкций

## Знаки безопасности

В настоящем руководстве по эксплуатации и на продукте обозначения техники безопасности и сигнальные слова используются для сообщения важной информации по безопасности. Этот раздел приведен для улучшения понимания значения этих сигнальных слов и обозначений.



Это предупреждающий символ. Он используется, чтобы предупредить вас о риске травмы. Соблюдайте требования всех сообщений по технике безопасности, которые следуют за данным знаком, чтобы избежать возможных травм или летального исхода.

### **▲ ОПАСНО**

**ОПАСНО** указывает на опасную ситуацию, которая, если ее не избежать, приведет к летальному исходу или к серьезной травме

### **▲ ВНИМАНИЕ!**

**ВНИМАНИЕ** указывает на опасную ситуацию, которая, если ее не избежать, может привести к летальному исходу или к серьезной травме.

### **▲ ОСТОРОЖНО**

**ОСТОРОЖНО** указывает на опасную ситуацию, которая, если ее не избежать, может привести к незначительной травме или к травме средней тяжести.

### **ПРЕДУПРЕЖДЕНИЕ**

**ПРЕДУПРЕЖДЕНИЕ** указывает на информацию, относящуюся к защите имущества.



Этот знак означает "внимательно прочитайте руководство по эксплуатации перед использованием оборудования". Руководство по эксплуатации содержит важную информацию по безопасной и правильной работе с оборудованием.



Этот символ означает "всегда надевайте защитные очки с боковыми щитками или закрытые защитные очки при транспортировке или эксплуатации этого оборудования, чтобы снизить риск повреждения глаз".



Этот знак указывает на риск того, что пальцы, руки, одежда или предметы могут попасть между шестернями или другими вращающимися деталями, что может привести к защемляющим травмам.



Этот знак указывает на опасность поражения электрическим током.



Этот знак указывает на риск опрокидывания машины, что может привести к травмам или переломам.



Этот знак указывает на запрет надевания перчаток во время работы со станком для снижения риска попадания пальцев в механизмы.



Этот знак указывает на необходимость использования опорного устройства для противодействия силам резьбонарезания, улучшения управления и снижения опасности удара, защемления и/или других травм.

## Основные предупреждения по безопасному использованию электроприбора\*

### **▲ ВНИМАНИЕ!**

**Прочтите все предупреждения по безопасному использованию, изучите инструкции, иллюстрации и технические характеристики, предоставляемые с этим электроинструментом. Несоблюдение всех перечисленных ниже инструкций может привести к поражению электрическим током, пожару и/или серьезной травме.**

**СОХРАНИТЕ ВСЕ ПРЕДУПРЕЖДЕНИЯ И ИНСТРУКЦИИ ДЛЯ ПОСЛЕДУЮЩЕГО ИСПОЛЬЗОВАНИЯ!**

Используемый в предупреждениях термин «электроприбор» относится к электроприборам с питанием от сети (со шнуром питания) и от аккумулятора (без шнура питания).

## Безопасность в рабочей зоне

- Рабочая зона должна быть расчищена и хорошо освещена. Загроможденные и слабоосвещенные места повышают опасность возникновения несчастных случаев.
- Недопустимо пользоваться электроприборами во взрывоопасных средах, то есть при наличии горючих жидкостей, газов или пыли. Электроприбор создает искры, которые могут привести к воспламенению пыли или газов.
- Не допускается присутствие детей и посторонних лиц во время работы с электроприбором. Отвлечение внимания может привести оператора к потере управления.

\* Текст, приведенный в разделе «Основные предупреждения по безопасному использованию электроинструмента» в данном руководстве, извлечен дословно, как требуется, из действующего стандарта UL/CSA 62841. В этом разделе содержатся общие правила техники безопасности для различных видов электроприборов. Не все меры предосторожности распространяются на все электроприборы, и некоторые меры предосторожности не применяются к данному электроприбору.

## Электробезопасность

- **Вилки на шнурах питания электроприбора должны подходить к сетевым розеткам. Ни в коем случае не следует видоизменять вилку. Запрещается использование любых переходных вилок для электроприбора с заземлением (заземленного).** При использовании немодифицированной вилки и соответствующей розетки снижается опасность поражения током.
- **Не прикасайтесь к заземленным поверхностям, например, трубам, нагревателям, печам и холодильникам.** В противном случае, если тело человека заземлено, риск поражения током повышается.
- **Запрещается подвергать электроприбор воздействию дождя или влаги.** Проникновение воды внутрь инструмента увеличивает риск удара током.
- **Следует надлежащим образом обращаться со шнуром электропитания. Не следует использовать шнур для переноски или передвижения электроприбора, а также для отключения его от электросети. Следует защищать шнур электропитания от воздействия высокой температуры, масел, острых кромок или движущихся деталей.** Поврежденные и запутанные шнуры увеличивают опасность поражения электрическим током.
- **При эксплуатации электроприбора вне помещения используйте соответствующий удлинитель.** Применение шнура электропитания, предназначенного для эксплуатации вне помещений, снижает опасность поражения электрическим током.
- **Если приходится применять электроприбор во влажном месте, используйте источник электропитания, защищенный устройством защитного отключения (УЗО).** Использование УЗО снижает опасность поражения электрическим током.

## Личная безопасность

- **Будьте внимательны, контролируйте выполняемые действия и пользуйтесь здравым смыслом при работе с электроприбором. Запрещается эксплуатировать электроприбор, находясь в уставшем состоянии или под действием наркотиков, алкоголя или лекарственных препаратов.** Потеря внимания даже на секунду при работе с электроприборами может привести к серьезным травмам.
- **Используйте индивидуальные средства защиты. Всегда надевайте защитные очки.** Использование в соответствующих условиях пылезащитной маски, ботинок с нескользящими подошвами, каски, берушей и других защитных средств снижает травмоопасность.
- **Не допускайте непреднамеренного запуска электроприбора. Прежде чем брать электроприбор в руки, переносить его или подключать к источнику постоянного и (или) батарейного питания, удостоверьтесь, что переключатель находится в положении "выкл.":** Переноска электроприборов с пальцем на переключателе или подзарядка инструмента с переключателем в режиме "вкл." может привести к несчастному случаю.
- **Перед включением электроприбора следует убрать любые гаечные ключи.** Оставленный присоединенным к вращающейся детали регулировочный или гаечный ключ может привести к травме.
- **Не пытайтесь дотянуться. Всегда сохраняйте устойчивое положение и равновесие.** Это обеспечивает более уверенное управление прибором в непредсказуемых ситуациях.
- **Следует надевать подходящую одежду. Не надевайте свободную одежду или украшения. Держите волосы, одежду и перчатки вдали от движущихся частей.** Свободная одежда, украшения или длинные волосы могут попасть в движущиеся части.
- **При возможности подсоединения к пылеочистителям и пылесборникам проследите за тем, чтобы они были подключены и использовались правильно.** Использование пылесборников способствует снижению рисков, связанных с пылью.
- **Не допускайте состояния расслабленности и пренебрежения правилами безопасности, которые могут возникнуть при постоянном использовании инструмента.** Неосторожное действие может за долю секунды причинить серьезную травму.

## Использование и уход за электроприбором

- **Не перегружайте электроприбор. Следует применять правильный электроприбор, соответствующий условиям работы.** Правильный выбор электроприбора способствует более качественному, безопасному и быстрому выполнению работы.
- **Не используйте электроприбор с неисправным выключателем.** Инструмент, который нельзя включить или выключить, опасен и нуждается в ремонте.
- **Отсоединяйте вилку от источника питания и/или извлекайте аккумулятор из электроинструмента, прежде чем выполнить какие-либо регулировки, замену принадлежностей или убрать инструмент на хранение.** Такие профилактические меры уменьшают риск непреднамеренного включения электроинструмента.



- Храните неиспользуемый электроприбор вдали от детей. Не допускайте использования электроприбора лицами, не работавшими ранее с инструментом и не ознакомленными с данными инструкциями. Электроприбор представляет собой опасность в руках неквалифицированных пользователей.
- Выполняйте надлежащее техническое обслуживание электроинструмента и его принадлежностей. Следите за тем, чтобы движущиеся части были отрегулированы и закреплены. Устраняйте поломки деталей или любые другие факторы, которые могут отрицательно повлиять на работу инструмента. В случае выхода электроинструмента из строя его необходимо отремонтировать до начала работы. Многие несчастные случаи происходят вследствие применения электроинструментов, не прошедших надлежащего техобслуживания.
- Следите за тем, чтобы режущие насадки были острыми и чистыми. Режущие насадки с острыми режущими кромками, за которыми ведется надлежащий уход, режут заедают и более удобны в работе.
- Используйте электроприборы, принадлежности, рабочие наконечники и пр. в соответствии с настоящими инструкциями, принимая во внимание условия и цели эксплуатации. Использование электроприбора для работ, отличных от целевого назначения, может привести к созданию опасной ситуации.
- Следите за тем, чтобы ручки и хватные поверхности были сухими и чистыми; не допускайте попадания на них масла или смазки. Скользкие ручки и хватные поверхности препятствуют безопасному обращению и управлению инструментом в неподвижных ситуациях.

### Техническое обслуживание

- Ремонт электроприборов должен осуществляться квалифицированным персоналом с использованием идентичных запчастей на замену. Это обеспечит безопасность подвергающегося техническому обслуживанию электроприбора.

## Информация по технике безопасности при работе с данным инструментом

### ▲ ВНИМАНИЕ!

Этот раздел содержит важную информацию по безопасности, имеющую отношение именно к данному инструменту.

**Перед тем как использовать силовые приводы, внимательно изучите указанные меры предосторожности. Их соблюдение снизит опасность поражения электрическим током и получения серьезных травм.**

### СОХРАНИТЕ НАСТОЯЩУЮ ИНСТРУКЦИЮ!

Храните данное руководство рядом с инструментом, для ее использования оператором.

### Техника безопасности при использовании силового привода

- **Обязательно используйте опорное устройство, поставляемое в комплекте с инструментом.** Потеря контроля над инструментом во время работы может привести к травме.
- **При работе с инструментом куртка и рукава должны быть застегнуты на пуговицы. Не тянитесь руками через инструмент или трубу.** Одежда может быть зацеплена и затянута трубой или механизмом инструмента.
- **Только один человек должен контролировать рабочий процесс и управлять работой инструмента.** Участие посторонних людей в рабочем процессе может привести к непреднамеренным действиям и травмам.
- **Пол должен быть сухим, на нем не должно быть скользких материалов, таких как масло.** Скользкий пол может стать причиной несчастного случая.
- **Запрещается управлять инструментом в рабочих перчатках. Не тянитесь руками через инструмент или трубу.** Перчатки могут быть зацеплены и затянута трубой или механизмом инструмента.
- **Независимо от использования опорного устройства, всегда крепко удерживайте силовой привод в процессе нарезания резьбы или вывинчивания резьбонарезной головки из трубы, чтобы противодействовать силам резьбонарезания.** Это снизит опасность удара, заземления и/или других травм.
- **Соблюдайте инструкции по надлежащему использованию данного инструмента. Запрещается использовать инструмент для иных целей, таких как высверливание отверстий или вращение механизма лебедки.** Ненадлежащее использование или модификация конструкции инструмента для его применения в иных целях повышает опасность серьезной травмы.

- **Запрещается использовать силовой привод со сломанным пусковым переключателем ВКЛ/ВЫКЛ.** Этот выключатель является предохранительным устройством, которое позволяет отключить электродвигатель, отпустив выключатель.
- **Запрещается использовать затупленные или поврежденные резьбонарезные гребенки.** Для острых режущих инструментов требуется меньший крутящий момент, и силовым приводом легче управлять.
- **Следите за тем, чтобы рукоятки инструмента были сухими и чистыми; на них не должно быть масла или смазки.** Это обеспечит более уверенное владение инструментом.
- **С силовыми приводами RIDGID используйте только фирменные резьбонарезные головки RIDGID.** Другие резьбонарезные головки могут не обеспечивать надлежащую посадку в силовой привод, что повышает риск повреждения оборудования и травмопасность.

Если у вас возникли вопросы, касающиеся изделий компании RIDGID®:

- Обратитесь к местному дистрибьютору RIDGID.
- Чтобы найти контактный телефон местного дистрибьютора RIDGID, войдите на сайт RIDGID.com.
- Обратитесь в Отдел технического обслуживания компании Ridge Tool по адресу [rtctechservices@emerson.com](mailto:rtctechservices@emerson.com). В США и Канаде можно также позвонить по номеру (800) 519-3456.

## Описание, технические характеристики и стандартные принадлежности

### Описание

Силовые приводы RIDGID® моделей 600-I и 690-I представляют собой электроприводы с двойной изоляцией, которые обеспечивают электропитание для нарезания резьбы на трубах и кабелепроводах. Выбор направления вращения вперед и назад осуществляется с помощью скользящего переключателя, а управление включением/выключением – с помощью двухпозиционного выключателя.

Силовой привод 600-I предназначен для использования с насадными резьбонарезными головками RIDGID модели 11-R (для труб диаметром 1/8" – 1 1/4"). Силовой привод 690-I предназначен для использования с насадными резьбонарезными головками RIDGID модели 11-R (для труб диаметром 1/8" – 2"). Для использования силового привода 690-I с резьбонарезными головками размером 1/8" – 1 1/4" требуется переходник. Переходник и трубы диаметром 1 1/2" – 2" удерживаются в силовом приводе 690-I с помощью фиксатора.



Рис. 1 – Силовой привод модели 600-I



Рис. 2 – Силовой привод модели 690-I



Рис. 3 – Струбцины-фиксаторы 602/692

Пластина с серийным номером силового привода 600-I и 690-I находится в нижней части корпуса электродвигателя. Последние 4 цифры серийного номера обозначают месяц и год изготовления (ММГГ).

Ridge Tool Company, Elyria, Ohio, U.S.A.

Model No.  ~  Hz

V  A  W

Capacity  n<sub>0</sub>  /min

Serial No.

**Рис. 4 – Серийный номер инструмента**

### Стандартные принадлежности

В комплект силовых приводов моделей 600-I/690-I входит следующее:

- Силовой привод
- Переходник 690-I (только для 690-I)
- Руководство по эксплуатации

**ПРЕДУПРЕЖДЕНИЕ** Выбор соответствующих материалов и способов установки, стыковки и формовки предоставляется проектировщику системы и/или монтажнику. Выбор ненадлежащих материалов и методов может привести к выходу системы из строя.

Нержавеющая сталь и другие коррозионностойкие материалы могут загрязняться во время установки, стыковки и формовки. Такое загрязнение может привести к коррозии и к преждевременному выходу трубы из строя. Тщательная оценка материалов и методов конкретных условий эксплуатации, в том числе применяемых химикатов и температуры, должна быть завершена до начала любых монтажных работ.

### Технические характеристики

Параметр	Силовой привод 600-I	Силовой привод 690-I
Размеры труб	1/8 – 1 1/4 дюйма (3 – 32 мм)	1/8 – 2 дюйма (3 – 50 мм)
Держатель резьбонарезной головки	Кольцевая пружина	Фиксатор (1 1/2 – 2 дюйма) Кольцевая пружина (1/8 – 1 1/4 дюйма)
Левая резьба	Да	Да
Струбина-фиксатор	№ по каталогу 602, № по каталогу 601	№ по каталогу 692, № по каталогу 691
Переходник	Не требуется.	Используется для резьбонарезных головок 1/8" – 1 1/4".
Тип электродвигателя	Универсальный электродвигатель, однофазный	Универсальный электродвигатель, однофазный
Мощность, Ватт	1270 (120 В), 1020 (220-240 В)	1270 (120 В), 1020 (220-240 В)
Напряжение/кол-во фаз	120 В/1 ф., 220-240 В/1 ф.	120 В/1 ф., 220-240 В/1 ф.
Ток, Ампер	12 А (120 В), 5 А (220-240 В)	12 А (120 В), 5 А (220-240 В)
Рабочая частота вращения (об/мин)	36 (120 В), 32 (220-240 В)	36 (120 В), 32 (220-240 В)
Средства управления	Скользкий переключатель направления вперед/назад Двухпозиционный переключатель ВКЛ/ВЫКЛ с самовозвратом	Скользкий переключатель направления вперед/назад Двухпозиционный переключатель ВКЛ/ВЫКЛ с самовозвратом
Передающая головка	Литая алюминиевая со смазкой на весь срок службы	Литая алюминиевая со смазкой на весь срок службы
Длина	20 дюймов (508 мм)	24,13 дюйма (613 мм)
Ширина	3,75 дюйма (95 мм)	4,75 дюйма (121 мм)
Высота	7,5 дюйма (191 мм)	8 дюймов (203 мм)
Масса	12,65 фнт (5,7 кг)	21,15 фнт (9,6 кг)
Звуковое давление (L <sub>PA</sub> )*	83 дБ(А), К=3	83 дБ(А), К=3
Мощность звука (L <sub>WA</sub> )*	94 дБ(А), К=3	94 дБ(А), К=3
Вибрация*	< 2,5 м/с <sup>2</sup> , К=1,5	< 2,5 м/с <sup>2</sup> , К=1,5

\* Измерения уровней звука и вибрации выполняются в соответствии со стандартизованным тестом согласно стандарту IEC62841-1.

- Уровни вибрации могут быть использованы для сравнения с другими инструментами и предварительной оценки воздействия.
- Уровни производимых шумов и вибрации могут изменяться в зависимости от вашего местоположения и конкретного использования этих инструментов.
- Ежедневные уровни экспозиции шумам и вибрации следует оценивать для каждого конкретного применения и при необходимости принимать соответствующие меры безопасности. В оценке уровней экспозиции следует учитывать время, в течение которого инструмент выключен и не используется. Это может значительно снизить уровень экспозиции в течение всего рабочего периода.

## Предэксплуатационный осмотр

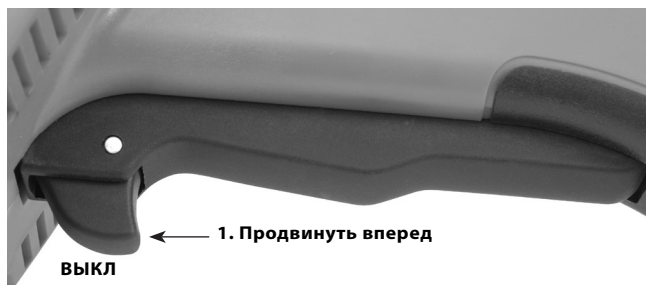
### ⚠ ВНИМАНИЕ!



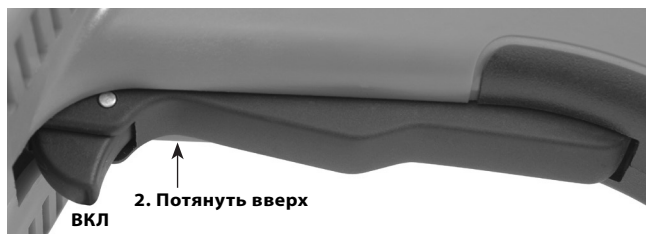
**Перед каждым использованием осматривайте силовой привод, устраняйте малейшие неисправности, чтобы снизить риск серьезной травмы в результате поражения электротоком, заземления и других причин, а также чтобы предотвратить выход силового привода из строя.**

1. Убедитесь, что силовой привод не подсоединен к сети электропитания.
2. Удаляйте с силового привода и с опорного устройства масло, смазку или грязь, особенно с рукояток и средств управления. Это облегчает осмотр и помогает предотвратить выскользывание инструмента или органа управления из рук.
3. Осмотрите силовой привод и струбцину-фиксатор и проверьте:
  - Отсутствие повреждения или видоизменения шнура и вилки электропитания.
  - Правильность сборки, техническое состояние и комплектацию.
  - Отсутствие поврежденных, несоосных или заедающих деталей.
  - Надлежащее функционирование двухпозиционного переключателя ВКЛ/ВЫКЛ с самовозвратом (Рис. 5).
  - Чистоту и надлежащее состояние захватывающих зубьев струбцины-фиксатора. Зубья можно очищать проволочной щеткой.
  - Наличие и разборчивость предупреждающей наклейки.
  - Отсутствие любых других условий, которые могут воспрепятствовать безопасной и нормальной эксплуатации.

При обнаружении каких-либо проблем устраните их, прежде чем использовать силовой привод или опорное устройство.



**Рис. 5А – Двухпозиционный переключатель ВКЛ/ВЫКЛ с самовозвратом**



**Рис. 5В – Двухпозиционный переключатель ВКЛ/ВЫКЛ с самовозвратом**

4. Проверьте отсутствие износа, деформации, сколов или иных дефектов на режущих кромках резьбонарезных гребенок. Затупленный или поврежденный режущий инструмент повышает величину требуемого усилия, нарезает резьбу плохого качества и повышает риск травмы.
5. Выполните осмотр и обслуживание используемого дополнительного оборудования в соответствии с прилагаемыми к нему инструкциями и убедитесь в его надлежащем функционировании.
6. В соответствии с инструкциями по подготовке к работе и эксплуатации, проверьте надлежащее функционирование силового привода.
  - Переместите переключатель F/R (вперед/назад) в положение F. Нажмите и отпустите переключатель ВКЛ/ВЫКЛ (Рис. 5). Убедитесь, что силовой привод вращается по часовой стрелке (См. рис. 6) и останавливается при отпускании переключателя.
  - Повторите процесс для работы в ОБРАТНОМ направлении (против часовой стрелки). Если силовой привод не вращается в правильном направлении, или переключатель ВКЛ/ВЫКЛ не управляет работой инструмента, не используйте инструмент до устранения неисправностей.

**ПРЕДУПРЕЖДЕНИЕ** Изменяйте положение скользящего переключателя F/R только при отпущенном переключателе ВКЛ/ВЫКЛ. Дождитесь полной остановки силового привода, прежде чем изменять направление вращения с помощью скользящего переключателя F/R. Это уменьшит риск повреждения силового привода.

- Нажмите и удерживайте переключатель ВКЛ/ВЫКЛ. Осмотрите подвижные части на предмет перекосов, неправильного расположения, посторонних шумов и других внештатных ситуаций. Отпустите переключатель ВКЛ/ВЫКЛ. При обнаружении каких-либо проблем устраните их, прежде чем использовать инструмент.

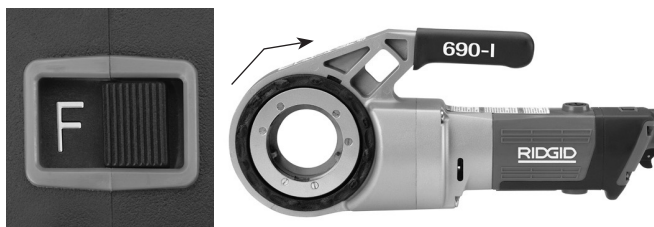


Рис. 6А – Переключатель в положении F (ВПЕРЕД)  
(по часовой стрелке)

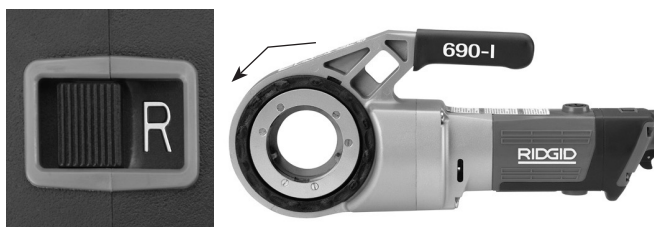


Рис. 6В – Переключатель в положении R (НАЗАД)  
(против часовой стрелки)

7. Отпустите переключатель ВКЛ/ВЫКЛ и сухими руками отсоедините вилку шнура электропитания инструмента.

## Подготовка и эксплуатация устройства

### ⚠ ВНИМАНИЕ!



**Подготовьте к работе силовой привод и эксплуатируйте его в соответствии с указанными процедурами, чтобы снизить риск травмы в результате поражения электрическим током, попадания в движущиеся детали, удара, заземления и других причин, а также для предотвращения повреждения силового привода.**

**Используйте надлежащее опорное устройство в соответствии с настоящей инструкцией. Опорные устройства улучшают управление и снижают опасность удара, заземления и/или других травм.**

**При использовании опорного устройства, отличного от поставляемой струбины-фиксатора, опорное устройство должно противодействовать корпусу редуктора или корпусу вентилятора. Опорные устройства, соприкасающиеся с корпусом электродвигателя или рукояткой, могут повредить эти детали или повысить травмоопасность.**

**Независимо от использования опорного устройства, всегда крепко удерживайте силовой привод в процессе нарезания резьбы или вывинчивания резьбонарезной головки с трубы, чтобы противодействовать примененным силам. Это снизит опасность удара, заземления и/или других травм.**

**Не надевайте перчатки или свободную одежду. Рукава и пуговицы на одежде должны быть застегнуты. Свободная одежда может быть затянута вращающимися частями машины, что приведет к травмам от заземления или удара.**

**Обеспечьте надлежащую опору трубы. Это снижает риск падения трубы, опрокидывания и получения травмы.**

**Запрещается использовать силовой привод при отсутствии правильно работающего переключателя ВКЛ/ВЫКЛ и скользящего переключателя направления F/R.**

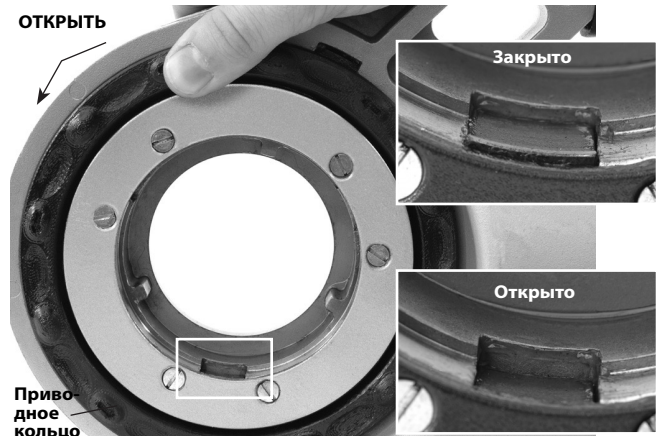
**Один человек должен контролировать рабочий процесс и управлять переключателем ВКЛ/ВЫКЛ. К управлению инструментом допускается не более одного лица. На случай попадания в движущиеся части, оператор должен иметь доступ к переключателю ВКЛ/ВЫКЛ.**

1. Проверьте рабочую зону по следующим позициям:
  - Наличие соответствующего освещения.
  - Отсутствие легковоспламеняющихся жидкостей, паров или горючей пыли. При их наличии не следует приступать к работе в этой зоне до тех пор, пока источники опасностей не будут определены и устранены. Силовые приводы не являются взрывозащищенными и могут создавать искры.
  - Наличие чистого, ровного, устойчивого и сухого места для оператора и всего оборудования.
  - Наличие хорошей вентиляции. Запрещается интенсивное использование инструмента в небольших замкнутых пространствах.

- Наличие правильно смонтированной электрической розетки с надлежащим напряжением. При возникновении сомнений розетка подлежит проверке квалифицированным электриком.
  - Наличие свободного доступа к электрической розетке без потенциальных источников повреждения шнура электропитания.
2. Осмотрите трубу для нарезания резьбы и соответствующие принадлежности и убедитесь, что выбранный силовой привод пригоден для выполнения этой работы. См. *технические характеристики*: Не используйте инструмент для нарезания резьбы на других трубах, кроме прямых заготовок.  
Оборудование для других применений можно найти в каталоге компании Ridge Tool на сайте RIDGID.ru или обратившись к вашему представителю.
  3. Убедитесь, что применяемое оборудование надлежащим образом осмотрено и проверено.
  4. Правильно подготовьте трубу, как требуется. Проверьте, что труба обрезана перпендикулярно и заусенцы удалены. Труба, обрезанная под углом, может повредить резьбонарезные гребенки в процессе нарезания резьбы и создать трудности при подсоединении резьбонарезной головки.

### Установка резьбонарезных головок

5. Установка резьбонарезной головки размером 1½" или 2" или переходника в модель 690-I:
  - a. Проверьте, что переключатель ВКЛ/ВЫКЛ отпущен и силовой привод не подсоединен к сети электропитания.
  - b. Поверните приводное кольцо против часовой стрелки, чтобы открыть фиксатор. Полностью введите резьбонарезную головку или переходник (если требуется) шлицевым торцом в силовой привод (Рис. 7).
  - c. Отпустите приводное кольцо и убедитесь, что резьбонарезная головка/переходник надежно закреплены.
  - d. Для снятия выполните процедуру в обратном порядке.



**Рис. 7 – Фиксатор, приводное кольцо в открытом/закрытом положении**



**Рис. 8 – Установка переходника в силовой привод 690-I**

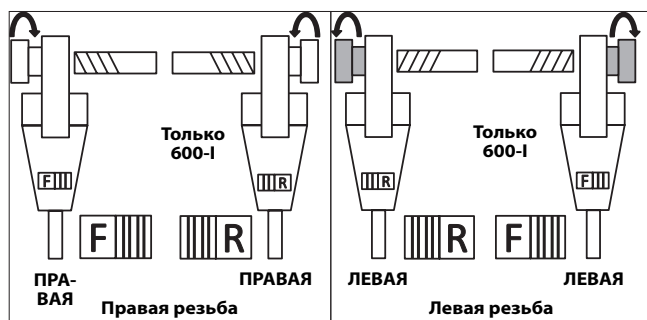
6. Установка резьбонарезных головок размером 1¼" и менее:
  - a. Проверьте, что переключатель ВКЛ/ВЫКЛ отпущен и силовой привод отсоединен от розетки электропитания.
  - b. При необходимости вставьте переходник в силовой привод 690-I (Рис. 8).
  - c. Под прямым углом вставьте восьмигранный торец резьбонарезной головки 11-R в силовой привод, так чтобы он был закреплен пружинным кольцом. В модели 600-I резьбонарезную головку можно вставлять с любой стороны силового привода. В модели 690-I резьбонарезные головки можно вставлять только со стороны переходника.

- d. Чтобы извлечь резьбонарезную головку, вытяните ее из силового привода. При необходимости используйте молоток с мягким бойком или деревянный брусок, чтобы выстукавать резьбонарезную головку из инструмента. Не наносите сильных ударов по резьбонарезной головке, это может повредить инструмент.



**Рис. 9 – Установка резьбонарезных головок в силовой привод 600-I**

7. Установите скользящий переключатель F/R в соответствии с требуемой правой или левой резьбой. См. рис. 10.



**Рис. 10 – Расположение скользящего переключателя/ резьбонарезной головки**

8. Проверьте, что труба для нарезания резьбы устойчива и надежно закреплена во избежание опрокидывания во время использования инструмента. Используйте надлежащие опорные стойки для трубы.
9. Проверьте уровень масла для резьбонарезки RIDGID в масленке RIDGID модели 418. Уберите лоток для сбора стружки и проверьте, что сетчатый фильтр чистый и полностью погружен в масло. При необходимости замените или долейте масло. Поставьте масляный насос модели 418 с резервуаром под торец трубы, на котором будет нарезана резьба.

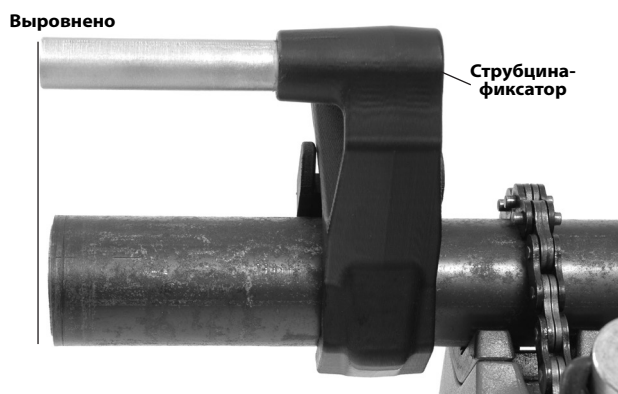
## Противодействие силам резьбонарезания

Использование поставляемой струбцины-фиксатора:

- a. Всегда используйте поставляемую струбцину-фиксатор (струбцина-фиксатор 601 или 602 для модели 600-I, струбцина-фиксатор 691 или 692 для модели 690-I), кроме случаев, когда ее невозможно использовать вследствие небольшого пространства или иных ограничений. Струбцина-фиксатор зажимает трубу и способствует противодействию силам резьбонарезания.
- b. Установите струбцину-фиксатор на трубу, так чтобы конец струбцины-фиксатора был совмещен с концом трубы, а верхняя часть струбцины-фиксатора была расположена горизонтально (рис. 11). Такое расположение струбцины-фиксатора является правильным для нарезания резьбы и предотвращает попадание масла для нарезания резьбы в электродвигатель (рис. 12).
- c. Убедитесь, что зажимные губки струбцины-фиксатора охватывают трубу под прямым углом, и надежно затяните струбцину-фиксатор.



**Рис. 11А – Расположение струбцины-фиксатора**



**Рис. 11В – Расположение струбцины-фиксатора**



**Рис. 12 – Правильное расположение силового привода**

Если струбцину-фиксатор невозможно использовать:

Если труба для нарезания резьбы находится в рабочем положении или в аналогичном применении, струбцину-фиксатор, вероятно, невозможно использовать из-за ограничений пространства.

- a. Можно снять трубу и нарезать резьбу, используя тиски. Если это невозможно сделать, следует использовать другие опорные устройства для противодействия силам резьбонарезания, такие как установка корпуса редуктора или вентилятора силового привода вплотную к соседнему конструктивному элементу (примерами являются стены, балки и поперечины). Для этого требуется, чтобы труба и окружающие ее элементы могли выдержать вес инструмента и силы резьбонарезания. Может потребоваться дополнительное использование временных или постоянных опор для труб или конструктивных элементов.
- b. Для нарезания правой резьбы резьбонарезная головка будет вращаться по часовой стрелке (если смотреть на торец резьбонарезной головки). Силы, создаваемые моментом вращения при нарезании резьбы, будут действовать в противоположном направлении, или против часовой стрелки. При нарезании левой резьбы направление вращения и действия сил изменятся на противоположные. Удостоверьтесь, что опорное устройство установлено так, чтобы должным образом нейтрализовать силу резьбонарезания.
- c. Не устанавливайте электродвигатель силового привода или рукоятку вплотную к соседним конструктивным элементам для противодействия силам резьбонарезания, так как это может привести к повреждению силового привода.
- d. Держите силовой привод вплотную к конструктивному элементу и оберегайте пальцы и руки от попадания между силовым приводом и конструктивным

элементом. При вывинчивании резьбонарезной головки из резьбы всегда крепко удерживайте силовой привод, чтобы противодействовать силам, возникающим в результате ломки стружки от нарезания резьбы. Эти действия снижают опасность удара, защемления и/или других травм. Переключатель ВКЛ/ВЫКЛ можно отпустить в любое время, чтобы выключить силовой привод.

Независимо от использования опорного устройства, всегда крепко удерживайте силовой привод в процессе нарезания резьбы или вывинчивания резьбонарезной головки из трубы, чтобы противодействовать возникающим силам. Это снизит опасность удара, защемления и/или других травм. Пусковой переключатель ВКЛ/ВЫКЛ можно отпустить в любое время, чтобы выключить силовой привод.

## Нарезание резьбы

10. Сухими руками подключите силовой привод к сети электропитания.
11. Установите резьбонарезную головку на торец трубы и удерживайте силовой привод, как указано в разделе "Противодействие силам резьбонарезания".



**Рис. 13 – Начало нарезания резьбы**

12. Одновременно приведите в действие переключатель ВКЛ/ВЫКЛ и ладонью свободной руки прижмите крышку резьбонарезной головки, чтобы начать нарезание резьбы. Не надевайте перчатки и украшения и не используйте тряпки для прижимания крышки – это повышает опасность их попадания в движущиеся детали и последующих травм. Как только гребенки войдут в зацепление с трубой, начнется нарезание резьбы, так как гребенки сами натягивают себя на торец трубы.

Всегда прочно удерживайте рукоятку силового привода для противодействия силам, действующим на рукоятку. Опорные устройства могут соскользнуть,



что приведет к смещению силового привода. Переключатель ВКЛ/ВЫКЛ можно отпустить в любое время, чтобы выключить силовой привод.

13. Прекратите нажимать на крышку и с помощью масленки нанесите большое количество масла RIDGID для резьбонарезки на зону нарезания резьбы. Это позволит снизить крутящий момент нарезания резьбы, повысить качество резьбы и увеличивает срок службы гребенок.



Рис. 14 – Нарезание резьбы на трубе

14. Нажимайте переключатель ВКЛ/ВЫКЛ, пока торец трубы не будет вровень с кромкой резьбонарезных гребенок, и отпустите переключатель. Дождитесь полной остановки силового привода.



Рис. 15 – Торец трубы вровень с кромкой резьбонарезных гребенок

15. Переведите скользящий переключатель F/R в обратное положение и приведите в действие переключатель ВКЛ/ВЫКЛ, чтобы снять резьбонарезную

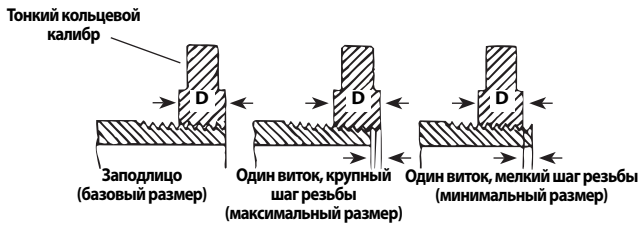
головку с трубы с нарезанной резьбой. Плотнo удерживайте рукоятку силового привода, чтобы противодействовать силам, действующим на рукоятку при выкручивании резьбонарезной головки.

**ПРЕДУПРЕЖДЕНИЕ** Изменяйте положение скользящего переключателя F/R только при отпущенном переключателе ВКЛ/ВЫКЛ. Дождитесь полной остановки силового привода, прежде чем изменять направление вращения с помощью скользящего переключателя F/R. Это уменьшит риск повреждения силового привода.

16. Отпустите переключатель и снимите с трубы силовой привод и резьбонарезную головку.
17. Сухими руками отключите силовой привод от сети электропитания.
18. Вытрите масло и отходы с резьбы и резьбонарезной головки, соблюдая осторожность, чтобы не порезаться об острые отходы или кромки. Очистите рабочую зону от пролитого масла.

### Проверка резьбы

1. Удалите из резьбы масло, стружку или отходы.
2. Осмотрите резьбу. Резьба должна быть правильной формы, однородной и полной. При разрыве резьбы, тонких нитях резьбы или овальности трубы, резьба может не обеспечить герметичность при монтаже. См. таблицу "Поиск и устранение неисправностей" для диагностики этих проблем.
3. Проверьте размер резьбы. Предпочтительным методом проверки размера резьбы является использование кольцевого калибра. Имеются различные типы кольцевых калибров, и их использование может отличаться от указанного в рис. 16.
  - От руки наверните кольцевой калибр на резьбу.
  - Посмотрите, насколько далеко торец трубы проходит сквозь кольцевой калибр. Торец трубы должен быть заподлицо со стороной калибра плюс-минус один виток резьбы. Если размер резьбы не измеряется надлежащим образом, отрежьте резьбу, отрегулируйте резьбонарезную головку и заново нарежьте резьбу. Использование резьбы, не выверенной должным образом по калибру, может привести к утечкам.



Проверка резьбы с помощью кольцевого калибра

**Рис. 16 – Проверка размера резьбы**

- Если нет кольцевого калибра для проверки размера резьбы, можно использовать новый чистый образец фитинга, используемого в работе, для измерения размера резьбы. Для труб NPT размером 2" и менее нарезанная резьба должна содержать 4 – 5 витков для затяжки соединения с фитингом от руки, а для труб BSPT размером 2" и менее – 3 витка.

## Инструкция по техническому обслуживанию

### ▲ ВНИМАНИЕ!

**Перед выполнением любых регулировок или операций технического обслуживания убедитесь, что переключатель ВКЛ/ВЫКЛ отпущен, а инструмент отсоединен от сети электропитания.**

**Выполняйте техническое обслуживание станка в соответствии с указанными процедурами, чтобы уменьшить риск поражения электрическим током, попадания в движущиеся детали механизмов и других причин.**

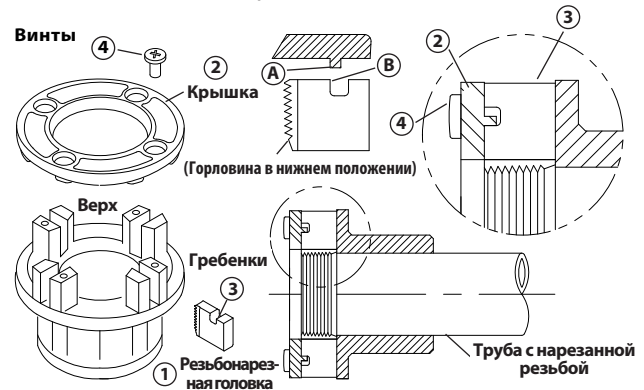
### Чистка

1. После каждого использования удаляйте стружку от нарезания резьбы из лотка для стружки от масляной модели 418 и вытирайте остатки масла.
2. Удаляйте с силового привода масло, смазку, стружку или грязь, особенно с рукояток и средств управления. Очищайте фиксатор силового привода 690-1.
3. Удаляйте масло, смазку или грязь со струбины-фиксатора. При необходимости очищайте зажимные губки струбины-фиксатора проволоочной щеткой.
4. Удаляйте стружку и грязь с резьбонарезных головок.

### Замена гребенок в резьбонарезных головках 11-R

Для установки в резьбонарезные головки RIDGID модели 11-R, поставляется широкий ассортимент резьбонарезных гребенок. См. ассортимент в каталоге.

1. Выверните четыре винта (4) из крышки (2) и снимите крышку.
2. Извлеките старые гребенки (3) из резьбонарезной головки.
3. Вставьте новые гребенки в пазы – пронумерованным торцом вверх. Номера на гребенках должны соответствовать номерам на пазах резьбонарезной головки. Всегда заменяйте гребенки в комплекте.



**Рис. 17 – Установка гребенок в резьбонарезную головку**

4. Установите на место крышку и слегка затяните четыре винта.
5. Установите резьбонарезную головку на трубу с уже нарезанной резьбой, так чтобы гребенки начали нарезать резьбу. Это приводит к установке гребенок (4) наружу напротив выступов (4) на крышке и установке надлежащего размера.
6. Прочно затяните все четыре винта. Извлеките трубу с нарезанной резьбой и выполните пробное нарезание.

### Замена щеток в электродвигателе

Проверяйте щетки электродвигателя каждые 6 месяцев. Заменяйте щетки, если они изношены до высоты менее 5/16" (8 мм).



**Рис. 18 – Установка щетки**

1. Отключите инструмент от источника электропитания.
2. Отверните колпачки щеток (рис. 1 и 2). Снимите и осмотрите щетки. Замените щетки, если они изношены до высоты менее  $\frac{5}{16}$ " (8 мм). Проверьте отсутствие износа коллектора. При значительном износе требуется провести техническое обслуживание.
3. Установите щетки на место/установите новые щетки и плотно затяните колпачки щеток.
4. Перед использованием рекомендуется включить инструмент вхолостую для вращения в течение 15 минут в прямом направлении, а затем в течение 15 минут в обратном направлении, чтобы щетки приработались к коллектору.

## Дополнительные принадлежности

### ▲ ВНИМАНИЕ!

**Для снижения опасности травм используйте только дополнительные принадлежности, специально разработанные и рекомендованные к использованию с силовыми приводами 600-I и 690-I, которые перечислены ниже. Другие принадлежности, подходящие для работы с другими инструментами, могут быть опасны при использовании с силовыми приводами 600-I и 690-I.**

### Дополнительные принадлежности силового привода 600-I и 690-I

№ по каталогу	Описание
45923	602 Струбцина-фиксатор
45928	692 Струбцина-фиксатор
46668	600-I Футляр для переноски
46673	690-I Футляр для переноски
10883	418 Масленка с 1 галлоном (3,8 л) масла Nu-Clear
16703	425 Верстак-тренога с тисками $\frac{1}{8}$ " - 2 $\frac{1}{2}$ "
36273	460-6 Верстак-тренога с тисками $\frac{1}{8}$ " - 6"
45543	Щетки 115 В
45588	Щетки 230 В

Более подробную информацию о дополнительных принадлежностях, предназначенных для этого инструмента, можно найти в каталоге RIDGID на сайте RIDGID.ru

## Хранение инструмента

**▲ ВНИМАНИЕ** Силовые приводы следует хранить внутри помещений или тщательно накрывать в дождливую погоду. Инструмент надлежит хранить в запираемом помещении, недоступном для детей и людей, которые не знакомы с инструментами. Этот инструмент может причинить серьезные травмы в руках неквалифицированных пользователей.

## Обслуживание и ремонт

### ▲ ВНИМАНИЕ!

**Неправильное обслуживание или ремонт могут привести к небезопасной работе станка.**

В разделе "Инструкция по техническому обслуживанию" рассматривается большинство операций обслуживания этого станка. Любые неисправности, не рассмотренные в этом разделе, должен устранять только уполномоченный техник по обслуживанию оборудования RIDGID.

Машину следует направить в авторизованный независимый сервис-центр RIDGID или вернуть на завод-изготовитель. Используйте детали для обслуживания только от компании RIDGID.

Для получения информации о ближайшем авторизованном независимом сервис-центре RIDGID, а также с любыми вопросами по обслуживанию и ремонту:

- Обратитесь к местному дистрибьютору RIDGID.
- Войдите на сайт RIDGID.ru, чтобы найти контактный телефон местного дистрибьютора RIDGID.
- Обратитесь в Отдел технического обслуживания компании Ridge Tool по одному из адресов указанных на сайте RIDGID.ru.

## Масло для нарезания резьбы

Информацию по использованию масла для нарезания резьбы RIDGID® см. на наклейках на контейнере и в Листе данных по безопасности материалов (MSDS). MSDS доступен на сайте RIDGID.ru или предоставляется при обращении в Отдел технического обслуживания компании Ridge Tool по одному из адресов указанных на сайте RIDGID.ru.

## Утилизация

Детали силовых приводов содержат ценные материалы и могут быть подвергнуты повторной переработке. В своем регионе вы можете найти компании, специализирующиеся на утилизации. Утилизируйте компоненты в соответствии со всеми нормативами. Узнайте дополнительную информацию в местной организации по утилизации отходов.



**Для стран ЕС:** Не утилизируйте электроприборы вместе с бытовыми отходами!

В соответствии с Европейской директивой 2012/19/ - EU по утилизации электрического и электронного оборудования, электрическое оборудование, не пригодное для дальнейшего использования, следует собирать отдельно и утилизировать безопасным для окружающей среды способом.

В соответствии с Европейской директивой 2012/19/ - EU по утилизации электрического и электронного оборудования, электрическое оборудование, не пригодное для дальнейшего использования, следует собирать отдельно и утилизировать безопасным для окружающей среды способом.

## Поиск и устранение неисправностей

ПРИЗНАК НЕИСПРАВНОСТИ	ВОЗМОЖНЫЕ ПРИЧИНЫ	РЕШЕНИЕ
<b>Инструмент не работает.</b>	Щетки не касаются якоря электродвигателя.	Проверьте щетки, в случае износа замените.
<b>Инструмент не нарезает резьбу.</b>	Затупленные резьбонарезные гребенки. Перегрузка вследствие неровной или овальной резьбы. Низкое качество или недостаточное количество масла для резьбонарезки. Недостаточное напряжение в сети электропитания.	Замените резьбонарезные гребенки. См. возможные причины ниже. Используйте надлежащее количество масла для резьбонарезки RIDGID®. Проверьте напряжение источника питания.
<b>Образование искр на коллекторе электродвигателя.</b>	Недостаточный контакт между щетками и коллектором. Щетки не обеспечивают надлежащего контакта с коллектором. Щетки другого изготовителя. Новые щетки.	Затяните колпачки щеток, чтобы обеспечить плотное прижатие щеток к коллектору. Замените изношенные щетки или якорь. Используйте только щетки RIDGID®. Приработайте щетки, для этого включите инструмент вхолостую для вращения по 15 минут в прямом и обратном направлениях.
<b>Резьбонарезная головка не начинает нарезание резьбы.</b>	Резьбонарезная головка не перпендикулярна торцу трубы. Усилие для введения в зацепление неправильно прикладывается к резьбонарезной головке. Торец трубы обрезан не перпендикулярно. Затупленные или сломанные резьбонарезные гребенки. Инструмент выполняет вращение в неправильном направлении. Неправильная посадка гребенок в резьбонарезной головке.	Нажмите на крышку резьбонарезной головки, чтобы начать резьбонарезку. Прикладывайте усилие для введения в зацепление вдоль осевой линии трубы. Срежьте торец трубы перпендикулярно. Замените резьбонарезные гребенки. Проверьте положение скользящего переключателя F/R. Удостоверьтесь, что режущие зубья обращены наружу напротив выступов на крышке.

## Поиск и устранение неисправностей

<p><b>Неровные витки резьбы.</b></p>	<p>Поврежденные, зазубренные или изношенные резьбонарезные гребенки.</p> <p>Ненадлежащее масло для резьбонарезки или недостаточное количество масла.</p> <p>Несоответствующий материалу тип резьбонарезной гребенки.</p> <p>Плохой материал/низкое качество трубы.</p>	<p>Замените резьбонарезные гребенки.</p> <p>Используйте только масло для резьбонарезки RIDGID® в надлежащем количестве.</p> <p>Выбирайте быстрорежущие гребенки из нержавеющей или легированной стали, соответствующие применению.</p> <p>Используйте трубу более высокого качества.</p>
<p><b>Овальные или смятые витки резьбы.</b></p>	<p>Малая толщина стенки трубы.</p>	<p>Используйте трубы сортамента 40 или с большей толщиной стены.</p>
<p><b>Опорное устройство проворачивается в процессе нарезания резьбы.</b></p>	<p>Загрязнение зажимных губок струбины-фиксатора.</p> <p>Ненадлежащее выравнивание струбины-фиксатора.</p> <p>Неплотная затяжка струбины-фиксатора.</p>	<p>Очистите проволочной щеткой.</p> <p>Выровняйте струбину-фиксатор перпендикулярно относительно трубы.</p> <p>Затяните подающий винт.</p>
<p><b>Тонкие нитки резьбы.</b></p>	<p>Неправильный порядок установки резьбонарезных гребенок.</p>	<p>Установите гребенки в соответствующие пазы резьбонарезной головки.</p>



# Elektrikli El Paftaları

## 600-I/690-I



### ⚠ UYARI!

Bu aleti kullanmadan önce Kullanıcı Kılavuzu'nu dikkatlice okuyun. Bu kılavuzun içeriğinin anlaşılması ve ona uyulmaması elektrik çarpması, yangın ve/veya ağır kişisel yaralanmalara yol açabilir.

#### 600-I / 690-I Elektrikli El Paftaları

Aşağıdaki Seri Numarası'nı kaydedin ve isim levhasındaki ürün seri numarasını muhafaza edin.

Seri No.

--	--

## İçindekiler

<b>Makine Seri Numarası için Kayıt Formu</b> .....	341
<b>Güvenlik Sembolleri</b> .....	343
<b>Genel Elektrikli Alet Güvenlik Uyarıları</b> .....	343
Çalışma Alanı Güvenliği .....	343
Elektrik Güvenliği .....	343
Kişisel Güvenlik .....	344
Elektrikli Alet Kullanımı ve Bakımı .....	344
Servis .....	344
<b>Özel Güvenlik Bilgileri</b> .....	345
Elektrikli El Paftası Güvenliği .....	345
<b>Açıklama, Teknik Özellikler ve Standart Ekipman</b> .....	345
Açıklama .....	345
Standart Ekipman .....	346
Teknik Özellikler .....	347
<b>Çalışma Öncesi Kontrol</b> .....	347
<b>Hazırlama ve Çalıştırma</b> .....	348
Pafta Kafalarının Takılması .....	349
Dış Açma Kuvvetlerine Direnç Gösterme .....	350
Dış Açma .....	351
Dişlerin İncelenmesi .....	352
<b>Bakım Talimatları</b> .....	353
Temizleme .....	353
11-R Pafta Kafalarındaki Paftaların Değiştirilmesi .....	353
Motordaki Fırçaların Değiştirilmesi .....	353
<b>Aksesuarlar</b> .....	353
<b>Makinenin Depolanması</b> .....	354
<b>Servis ve Tamir</b> .....	354
<b>Diş Açma Yağı</b> .....	354
<b>Elden Çıkarma</b> .....	354
<b>Sorun Giderme</b> .....	355
<b>AB Uygunluk Beyanı</b> .....	Arka Kapağın İçinde
<b>Ömür Boyu Garanti</b> .....	Arka Kapak

\* Orijinal kılavuzun çevirisidir



## Güvenlik Sembolleri

Bu kullanıcı kılavuzunda ve ürün üstünde güvenlik sembolleri ve işaret sözcükleri, önemli güvenlik bilgilerini iletmek üzere kullanılmıştır. Bu bölüm, bu işaret sözcüklerinin ve sembollerin anlaşılması için verilmiştir.



Bu güvenlik uyarısı sembolüdür. Sizi potansiyel kişisel yaralanma tehlikesine karşı uyararak kullanılır. Muhtemel yaralanma veya ölümden sakınmak için bu sembolü izleyen tüm güvenlik mesajlarına uyun.



**TEHLİKE** TEHLİKE sakınılmadığı takdirde ölüm veya ciddi yaralanmayla sonuçlanacak tehlikeli bir durumu gösterir.



**UYARI** UYARI sakınılmadığı takdirde ölüm veya ciddi yaralanmayla sonuçlanabilecek tehlikeli bir durumu gösterir.



**DİKKAT** DİKKAT sakınılmadığı takdirde küçük veya orta derece yaralanmaya yol açabilecek tehlikeli bir durumu gösterir.



**BİLDİRİM** BİLDİRİM eşyanın korunmasıyla ilgili bilgileri gösterir.



Bu sembol ekipmanı kullanmadan önce kullanıcı kılavuzunun dikkatlice okunması gerektiği anlamına gelir. Kullanıcı kılavuzu ekipmanın güvenli ve düzgün kullanımına dair önemli bilgiler içerir.



Bu sembol göz yaralanması riskini azaltmak için ekipmanı taşırken veya kullanırken daima yan korumaları olan güvenlik gözlükleri veya koruyucu gözlüklerin takılması gerektiğini gösterir.



Bu sembol parmakların, ellerin, kıyafetlerin ve diğer nesnelere zımlere neden olacak şekilde dişlilerin veya diğer döner parçaların arasına kapıtılma riskine işaret eder.



Bu sembol elektrik çarpması riskini gösterir.



Bu sembol makinenin devrilerek çarpma veya ezilmeden kaynaklanan yaralanmalara yol açma tehlikesi olduğunu belirtir.



Bu sembol dolanma riskini azaltmak için bu makineyi çalıştırırken eldiven giyilmemesi gerektiği anlamına gelir.



Bu sembol dış açma kuvvetlerine direnç göstermek, kontrolü iyileştirmek ve çarpma, ezilme ve/veya başka yaralanmaların meydana gelme riskini azaltmak için destek cihazları kullanılması gerektiği anlamına gelir.

## Genel Elektrikli Alet Güvenlik Uyarıları\*

### UYARI

**Bu elektrikli aletle birlikte gelen tüm güvenlik uyarıları, talimatları, çizimleri ve teknik bilgileri okuyun. Aşağıda listelenen talimatların tümüne uyulmaması elektrik çarpması, yangın ve/veya ciddi yaralanmalara yol açabilir.**

### TÜM UYARI VE TALİMATLARI GELECEKTE BAŞVURMAK ÜZERE SAKLAYINIZ!

Uyarılardaki "elektrikli alet" terimi elektrik hattından (kablolu) ya da pil ile (kablesiz) çalışan elektrikli aletleri kapsar.

### Çalışma Alanı Güvenliği

- Çalışma alanınızı temiz tutun ve iyi aydınlatın. Dağınık ve karanlık alanlar kazalara yol açabilir.
- Elektrikli aletleri alev alabilen sıvıları, gazların ya da tozların olduğu patlayıcı ortamlarda kullanmayın.

Elektrikli makineler toz ya da gazları tutuşturabilecek kıvılcımlar üretebilirler.

- Elektrikli aletleri kullanırken çocukları ve izleyenleri uzakta tutun.. Dikkatinizi dağıtan şeyler kontrolü kaybetmenize sebep olabilir.

### Elektrik Güvenliği

- Elektrikli aletlerin fişleri prizlere uygun olmalıdır. Fişleri hiçbir şekilde değiştirmeyin. Topraklanmış elektrikli aletler ile adaptör fişi kullanmayın. Değiştirilmemiş fişler ve uygun prizler elektrik çarpma tehlikesini azaltacaktır.
- Aletin gövdesini borular, radyatörler, ocaklar ve buzdolapları gibi topraklanmış yüzeylerle temas ettirmekten kaçının. Eğer vücudunuz topraklanmışsa elektrik çarpması ihtimali artar.
- Elektrikli aletleri yağmura ya da ıslak koşullara maruz bırakmayın. Elektrikli alete giren su, elektrik çarpması ihtimalini artırır.

\* Bu kılavuzun Genel Elektrikli Alet Güvenlik Uyarıları bölümünde kullanılan metin, kanunlar gereği geçerli UL/CSA 62841 standardından harfi harfine alınmıştır. Bu bölüm, pek çok farklı elektrikli makine için genel güvenlik uygulamalarını içerir. Önlemlerin hepsi her makinede geçerli olmayıp bazıları bu makinede geçerli değildir.

- **Kabloyu kötü kullanmayın. Kabloyu elektrikli aleti taşımak, çekmek ya da çıkarmak için asla kullanmayın. Kabloyu ısıdan, yağdan, keskin kenarlardan ve hareketli parçalardan uzak tutun.** Hasarlı ve dolaşmış kablolar elektrik çarpması ihtimalini artırır.
- **Elektrikli bir aleti açık havada kullanmak için açık havaya uygun uzatma kabloları kullanın.** Açık havada kullanıma uygun kabloların kullanılması elektrik çarpması ihtimalini azaltır.
- **Elektrikli aletin nemli ortamda kullanılması kaçınılmaz ise bir topraklama hatası devre kesici (GFCI) korumalı güç kaynağı kullanın.** GFCI kullanımı elektrik çarpması ihtimalini azaltır.

## Kişisel Güvenlik

- **Dikkatli olun, ne yaptığınıza dikkat edin ve elektrikli alet kullanırken sağduyunuzu kullanın. Yorgunken ya da uyuşturucu, alkol veya ilaçların etkisindeyken elektrikli aletler kullanmayın.** Elektrikli makine kullanımı sırasında bir anlık dikkatsizlik ağır kişisel yaralanmalara yol açabilir.
- **Kişisel koruyucu ekipmanlar kullanın. Daima koruyucu gözlük takın.** Toz maskeleri, kaymaz güvenlik ayakkabıları, sert şapkalar ve kulak korumaları gibi koruyucu ekipmanların kullanımı kişisel yaralanmaların azalmasını sağlar.
- **Aletin siz farkında olmadan çalışmaya başlamasını engelleyin. Aleti güç kaynağına ya da pile bağlamadan, kaldırmadan ya da taşımadan önce anahtarının OFF (kapalı) pozisyonda olduğundan emin olun.** Parmağınız anahtarın üzerindeyken elektrikli aletleri taşımanız ya da anahtar ON (açık) konumdayken güç kaynağına bağlamanız kazalara davetiye çıkarır.
- **Elektrikli aleti ON (açık) konuma çevirmeden önce üzerindeki tüm ayar anahtarlarını çıkarın.** Elektrikli aletin dönen parçasına takılı olarak bırakılmış bir anahtar kişisel yaralanmalara yol açabilir.
- **Aşırı zorlamadan kullanın. Her seferinde uygun düzeyde ve dengede kullanın.** Bu, beklenmedik durumlarda elektrikli aleti daha iyi kontrol etmenizi salar.
- **Uygun giyinin. Bol giysiler giymeyin ve takı takmayın. Saçınızı, giysilerinizi ve eldivenlerinizi hareket eden parçalardan uzak tutun.** Bol giysiler, takılar ya da uzun saçlar hareket eden parçalar tarafından kapılabilir.
- **Aletler toz aspiratörü ve toplama tertibatı ile birlikte kullanılacaklarsa tüm bunların bağlı ve uygun şekilde çalıştığından emin olun.** Toz toplayıcıların kullanılması, tozlardan kaynaklı kazaları azaltabilir.
- **Aletlerin sık kullanımı dolayısıyla edinilen aşinalığın laubali davranışa ve aletle ilgili güvenlik ilkelerinin ihmaline yol açmasına izin vermeyin.** Dikkatsiz bir eylem bir saniyeden daha kısa sürede ciddi yaralanmaya neden olabilir.

## Elektrikli Alet Kullanımı ve Bakımı

- **Aşırı zorlamadan kullanın. Uygulamanıza uygun elektrikli aleti kullanın.** Doğru elektrikli alet, tasarlandığı oranda daha iyi ve daha güvenli bir iş yapar.
- **Anahtar elektrikli aleti ON (açık) ve OFF (kapalı) konuma çevirmiyorsa aleti kullanmayın.** Anahtarı çalışmayan elektrikli alet tehlikelidir ve tamir edilmesi gerekir.
- **Herhangi bir ayarlama yapmadan, aksesuarları değiştirmeden veya elektrikli aletleri durdurmadan önce fişini güç kaynağından çekin ve/veya eğer çıkartılabiliyorsa pil paketini çıkartın.** Bu tür güvenlik önlemleri elektrikli makinenin kazayla çalıştırılması ihtimalini azaltır.
- **Kullanmadığınız elektrikli aletlerinizi çocukların uza namayacağı yerlerde saklayın ve elektrikli aletleri kullanma deneyimi olmayan ya da bu talimatlardan habersiz kişilerin kullanmalarına izin vermeyin.** Elektrikli aletler eğitimsiz kullanıcıların ellerinde tehlikelidir.
- **Elektrikli aletleri ve aksesuarlarını muhafaza edin. Elektrikli aletin çalışmasını etkileyecek yanlış ayarlama ya da hareketli parçaların yanlış bağlanması, parçaların kırılması ve diğer durumlara karşı kontrol edin. Eğer hasarlıysa, elektrikli aleti kullanmadan önce tamir ettirin.** Birçok kaza bakımsız elektrikli aletlerden kaynaklanır.
- **Kesme makinelerini keskin ve temiz tutun.** Uygun şekilde bakımı yapılmış keskin uçlu aletlerin takılıp kalma olasılığı düşüktür ve kontrolleri daha kolaydır.
- **Elektrikli aleti, aksesuarlarını, alet uçlarını vs. çalışma koşullarını ve yapılacak işi göz önünde bulundurarak bu talimatlara uygun olarak kullanın.** Elektrikli aletin tasarlandığı uygulama dışında kullanılması tehlikeli durumlara sebep olabilir.
- **Tutma sapları ve kavrama yerlerini kuru, temiz ve yağ ile gres bulunmayacak şekilde muhafaza edin.** Kaygan tutma sapları ve kavrama yerleri beklenmedik durumlarda aletin güvenli şekilde tutulması ve kontrol edilmesine izin vermez.

## Servis

- **Elektrikli aletinizin onarımını vasıflı kişilere sadece aynı yedek parçaları kullanarak yaptırın.** Bu, elektrikli aletin güvenliğinin devamlılığını salıyacaktır.

## Özel Güvenlik Bilgileri

### ⚠ UYARI

**Bu bölüm alete özel önemli güvenlik bilgileri içerir.**

**Elektrikli el paftalarını kullanmadan önce elektrik çarpması veya ağır yaralanma riskini azaltmak için bu önlemleri dikkatle okuyun.**

### BU TALİMATLARI SAKLAYIN!

Operatörün kullanması için bu kılavuzu makinenin yanında bulundurun.

### Elektrikli El Paftası Güvenliği

- **Alet ile birlikte gelen destek cihazını her daim kullanın.** Çalışma sırasında kontrolün kaybolması kişisel yaralanmalara sebep olabilir.
- **Aletin kullanımı sırasında kollarınızı sıvayın ve ceke-tinizin düğmesini ilikleyin. Aletin veya borunun üzerinden uzanmayın.** Kıyafetler boruya veya alete takılıp dolanmaya neden olabilir.
- **Yalnızca bir kişi çalışma sürecini ve alet işletimini kontrol etmelidir.** Sürece dahil olan diğer insanlar, istenmeyen işlemlere ve kişisel yaralanmalara sebep olabilir.
- **Yerleri kuru tutun ve yağ gibi kayganlaştırıcı maddelerden arındırın.** Kaygan zeminler kazalara yol açabilir.
- **Aleti kullanırken eldiven takmayın. Aletin veya borunun üzerinden uzanmayın.** Eldivenler boruya veya alete takılıp dolanmaya neden olabilir.
- **Diş açarken veya pafta kafasını borudan dışarı çekerken kullanılan destek cihazından bağımsız olarak diş açma kuvvetlerine karşı direnç göstermek için elektrikli el paftasını daima sağlam bir şekilde tutun.** Bu, çarpma, ezilme ve başka yaralanma riskini azaltacaktır.
- **Bu makinenin doğru kullanımına ilişkin talimatlara uyun. Delik açmak veya vinç çevirmek gibi farklı amaçlar için kullanmayın.** Başka uygulamalar için kullanılması veya üzerinde değişiklikler yapılması ciddi yaralanma riskini artırabilir.
- **Anahtar düğmesi bozursa bu elektrikli aleti kullanmayın.** Bu anahtar, anahtarı bırakarak motoru kapatmanıza olanak tanıyan bir emniyet cihazıdır.
- **Kör veya hasarlı paftaları kullanmayın.** Keskin kesme aletleri daha az tork gerektirir ve elektrikli el paftasını kontrol etmek daha kolaydır.
- **Sapları kuru ve temiz; yağ ve gresten arındırın.** Bu, aleti daha iyi kontrol etmenizi sağlar.

- **RIDGID Elektrikli El Paftası ile sadece RIDGID pafta kafalarını kullanın,** diğer pafta kafaları elektrikli el paftasına düzgün şekilde oturmayabilir ve ekipmanın zarar görmesi ve kişisel yaralanma riskini artırır.

Bu RIDGID® ürünü ile ilgili sorularınız için:

- Bulduğunuz bölgedeki RIDGID bayisi ile irtibata geçin.
- Yerel RIDGID irtibat noktasının iletişim bilgilerine erişmek için RIDGID.com adresini ziyaret edin.
- Ridge Tool Teknik Servis Departmanı ile rtctechservices@emerson.com adresinden veya ABD ve Kanada'da (800) 519-3456 telefon numarasını aramak suretiyle temas kurun.

## Açıklama, Teknik Özellikler ve Standart Ekipman

### Açıklama

RIDGID® 600-I ve 690-I Modeli Elektrikli EL Paftaları, boru ve kanallarda diş açmak için güç sağlayan çift yalıtımlı tahriklerdir. İleri ve Geri dönüş sürgülü bir anahtarla seçilebilirken ON/OFF (açma/kapatma), iki kademeli bir anlık kontak anahtarı ile kontrol edilir.

600-I Elektrikli El Paftası, RIDGID 11-R Dalgıç Kafalı Pafta Kafalarını (1/8" – 1/4" boru) kullanmak üzere tasarlanmıştır. 690-I Elektrikli El Paftası, RIDGID 11-R Dalgıç Kafalı Pafta Kafalarını (1/8" – 2" boru) kullanmak üzere tasarlanmıştır. 690-I Elektrikli El Paftasını 1/8" – 1/4" boyutlarla kullanmak için bir adaptör gereklidir. Adaptör ve 1/2" – 2" boyutları, bir Tespit Mekanizması kullanarak 690-I Elektrikli El Paftasında tutulur.



Şekil 1 - 600-I Model Elektrikli El Paftası

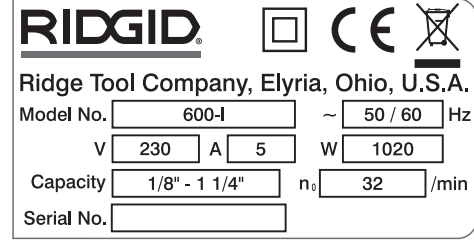


**Şekil 2 - 690-I Model Elektrikli El Paftası**



**Şekil 3 - 602/692 Destek Kolları**

600-I Elektrikli El Paftası ve 690-I Elektrikli El Paftası makine seri numara plakası, motor muhafazasının tabanında bulunur. Seri numarasının son 4 hanesi, üretim ay ve yılını ifade eder (AAYY).



**Şekil 4 - Makine Seri Numarası**

### Standart Ekipman

600-I/690-I Modeli Elektrikli El Paftaları, aşağıdaki öğelerle temin edilir:

- Elektrikli El Paftası
- 690-I Adaptör (sadece 690-I)
- Kullanıcı Kılavuzu

**BİLDİRİM** Uygun malzeme ve tesisat, birleştirme ve kalıp yöntemlerinin seçimi sistem tasarımcısı ve/veya tesisatçının sorumluluğundadır. Uygun olmayan malzeme veya yöntemlerin kullanılması sistemin arızalanmasına neden olabilir.

Paslanmaz çelik ve diğer paslanmaya karşı dirençli malzemeler montaj, birleştirme ve kalıplama sırasında kirlenmeye maruz kalabilir. Bu kirlenme, paslanmaya ve makinenin ömrünün kısalmasına yol açabilir. Malzemelerin ve kimyasal ve sıcaklık dahil belirli servis koşullarına özgü yöntemlerin dikkatli bir şekilde değerlendirme işlemi herhangi bir montaj işine başlamadan önce tamamlanmalıdır.

## Teknik Özellikler

Parametre	600-I Elektrikli El Paftası	690-I Elektrikli El Paftası
Boru Dış Açma Kapasitesi	1/8 ila 1 1/4 inç (3 ila 32 mm)	1/8 ila 2 inç (3 ila 50 mm)
Pafta Kafası Tutma	Halka Yay	Tespit Mekanizması (1 1/2 – 2 inç) Halka Yay (1/8 - 1 1/4 inç)
Sol Dişler	Evet	Evet
Destek Kolu	No. 602, No. 601	No. 692, No. 691
Adaptör	Gerekmez.	1/8" ila 1 1/4" Pafta Kafaları ile kullanılır.
Motor Tipi	Üniversal Motor, Tek Faz	Üniversal Motor, Tek Faz
Watt	1270 (120V), 1020 (220-240V)	1270 (120V), 1020 (220-240V)
Voltaj/Faz Mevcut	120V/1PH, 220-240V/1PH	120V/1PH, 220-240V/1PH
Amper	12A (120V), 5A (220-240V)	12A (120V), 5A (220-240V)
Çalışma Devri (dev/dak)	36 (120V), 32 (220-240V)	36 (120V), 32 (220-240V)
Kumandalar	İleri/Geri Sürgülü Anahtar ON/OFF (açma/kapatma) iki kademeli anlık kontak anahtarı	İleri/Geri Sürgülü Anahtar ON/OFF (açma/kapatma) iki kademeli anlık kontak anahtarı
Dişli Başı	Sabit Gresli Kalıp Döküm Alüminyum	Sabit Gresli Kalıp Döküm Alüminyum
Uzunluk	20 inç (508 mm)	24,13 inç (613 mm)
Genişlik	3,75 inch (95 mm)	4,75 inç (121 mm)
Yükseklik	7,5 inç (191 mm)	8 inç (203 mm)
Ağırlık	12,65 lbs (5,7 kg)	21,15 lbs (9,6 kg)
Ses Basıncı (L <sub>PA</sub> )*	83 dB(A), K=3	83 dB(A), K=3
Ses Gücü (L <sub>WA</sub> )*	94 dB(A), K=3	94 dB(A), K=3
Titreşim*	<2,5 m/s <sup>2</sup> , K=1,5	<2,5 m/s <sup>2</sup> , K=1,5

\* Ses ve Titreşim ölçümleri Standart IEC62841-1 uyarınca standartlaştırılmış bir test ile yapılır.

- Titreşim seviyeleri, diğer araçlarla kıyaslama ve maruz kalmanın ön değerlendirmesi için kullanılabilir.

- Ses ve titreşim emisyonları bulunduğunuz yere ve bu aletlerin özel kullanımına bağlı olarak değişebilir.

- Ses ve titreşim için günlük maruz kalma seviyeleri her uygulama için değerlendirilmeli ve gerektiğinde uygun güvenlik önlemleri alınmalıdır. Maruz kalma seviyelerinin değerlendirilmesinde, bir alet kapalı olduğu ve kullanılmadığı zamanlar da dikkate alınmalıdır. Bu, toplam çalışma süresince maruz kalma düzeyini önemli ölçüde azaltabilir.

## Çalışma Öncesi Kontrol

### ⚠ UYARI

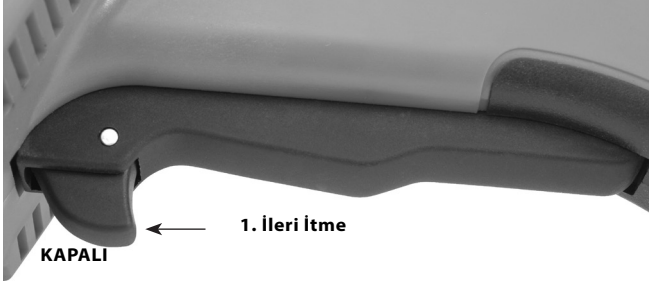


**Her kullanımdan önce elektrikli el paftasını inceleyin ve elektrik çarpması, ezilme ve başka sebepler kaynaklı yaralanma riskini azaltmak ve elektrikli el paftası hasarını önlemek için sorunları giderin.**

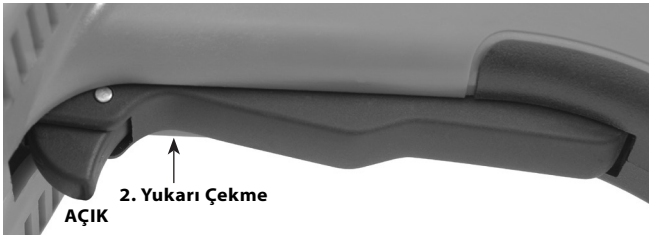
1. Elektrikli el paftasının fişinin çekildiğinden emin olun. Elektrikli el paftasının fişinin çekildiğinden emin olun.

2. Saplar ile kumandalar dahil elektrikli el paftası ve destek cihazından her türlü yağ, gres veya kiri temizleyin. Bu, incelemeyi kolaylaştırır ve makinenin veya kontrolün elinizden kaymasını önlemeye yardımcı olur.
3. Elektrikli el paftasını ve destek kolunu aşağıdaki durumlar açısından inceleyin:
  - Kablo ve fişte hasar veya değişiklik.
  - Doğru montaj, bakım ve eksiksiz olma.
  - Hasarlı, hizası bozulmuş veya yapışmış parçalar.
  - İki kademeli anlık kontak ON/OFF (açma/kapatma) anahtarının doğru çalışması (Şekil 5).
  - Destek kolu dişlerinin temiz ve iyi durumda olması. Dişler, bir tel fırçayla temizlenebilir.
  - Uyarı etiketinin olması ve okunabilirliği.
  - Güvenli ve normal çalışmayı etkileyebilecek başka her türlü durum.

Herhangi bir sorun bulunursa sorunlar çözülünceye kadar elektrikli el paftasını veya destek cihazını kullanmayın.



**Şekil 5A - İki Kademeli Anlık Kontak ON/OFF (açma/kapatma) Anahtarı**



**Şekil 5B - İki Kademeli Anlık Kontak ON/OFF (açma/kapatma) Anahtarı**

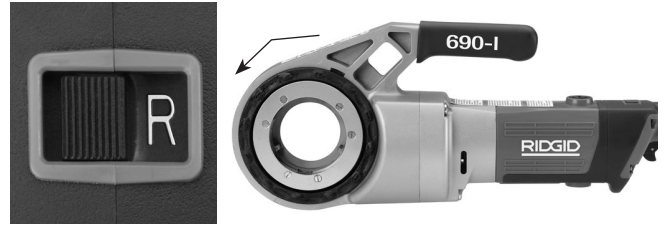
4. Paftaların kesme kenarlarını aşınma, deformasyon, soyulma ve başka sorunlar açısından inceleyin. Kör veya hasarlı kesme aletleri, gerekli kuvvet miktarını artırır, düşük kalite dişler üretir ve yaralanma riskini artırır.
5. Diğer donanımın talimatlara uygun kullanıldıklarından, böylelikle düzgün çalıştıklarından emin olun.
6. Hazırlama ve Çalıştırma talimatlarını takip ederek elektrikli el paftasını doğru çalışma açısından kontrol edin.
  - F/R (İleri/Geri) anahtarını F konumuna getirin. ON/OFF (açma/kapama) anahtarına basıp bırakın (Şekil 5). Elektrikli el paftasının saat yönünde döndüğünü (bkz. Şekil 6) ve anahtar bırakıldığında durduğunu teyit edin.
  - İşlemi REVERSE (geri) (saatin tersi yönde) çalışma için tekrarlayın. Elektrikli el paftası doğru yönde dönmezse veya ON/OFF (açma/kapatma) anahtarı makine çalışmasını kontrol etmezse onarılanaya kadar makineyi kullanmayın.

**BİLDİRİM** F/R sürgülü anahtarının konumunu sadece ON/OFF (açma/kapatma) tetik anahtarı bırakıldığında değiştirin. F/R sürgülü anahtarı ile yönü tersine çevirmeden önce elektrikli el paftasının tamamen durmasını bekleyin. Bu, elektrikli el paftası hasar riskini azaltmaya yardımcı olacaktır.

- ON/OFF (açma/kapama) anahtarına basıp basılı tutun. Hareketli parçaları yanlış hizalama veya yanlış bağlama, tuhaf sesler veya diğer olaan dış durumlara karşı kontrol edin. ON/OFF (açma/kapama) düğmesini bırakın. Olağan dış durumlara karşılaşılanız halinde, onarılanaya kadar makineyi kullanmayın.



**Şekil 6A - F (İLERİ) (Saat Yönünde) Anahtar Konumu**



**Şekil 6B - R (GERİ) (Saatin Tersi Yönde) Anahtar Konumu**

7. ON/OFF (açma/kapatma) anahtarını bırakın ve kuru ellerle makinenin fişini çekin.

## Hazırlama ve Çalıştırma

### ⚠ UYARI



**Elektrik çarpması, dolanma, çarpma, ezilme ve başka sebepler kaynaklı yaralanma riskini azaltmak ve başka elektrikli el paftası hasarlarını önlemeye yardımcı olması için elektrikli el paftasını bu prosedürlere göre hazırlayıp çalıştırın.**

**Bu talimatlar uyarınca uygun bir destek cihazı kullanın. Destek cihazları kontrolü iyileştirir ve çarpma, ezilme ve/veya başka yaralanmaların meydana gelme riskini azaltır.**

**Verilen destek kolu dışında bir destek cihazı kullanırken destek cihazının dişli kutusu gövdesine veya fan muhafazasına karşı etki etmesi gerekir. Motor muhafazasına veya koluna temas eden destek cihazları parçalara hasar verebilir veya yaralanma riskini artırabilir.**

**Dış açarken veya pafta kafasını borudan dışarı çekerken kullanılan destek cihazından bağımsız olarak kullanma kuvvetlerine karşı direnç göstermek için elektrikli el paftasını daima sağlam bir şekilde tutun. Bu, çarpma, ezilme ve başka yaralanma riskini azaltacaktır.**

**Eldiven veya bol giysiler giymeyin. Kol düğmelerinizi ve ceketinizi ilikleyin. Bol giysiler dönen parçalara dolanarak ezilmeden ve çarpmadan kaynaklanan yaralanmalara yol açabilir.**

**Boruyu uygun şekilde destekleyin. Bu, düşen boru, devrilme ve ağır yaralanma riskini azaltacaktır.**

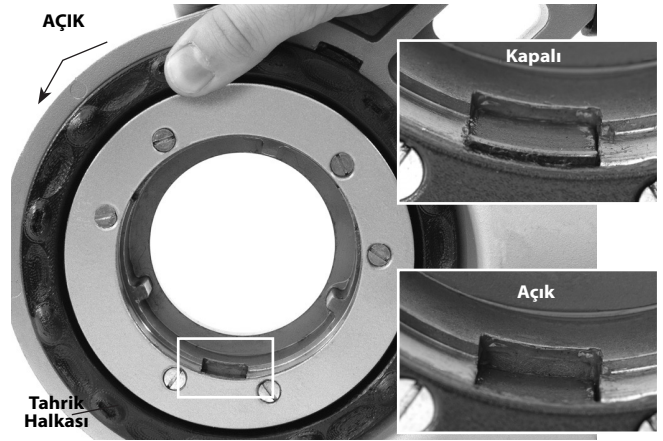
**Doğru çalışan bir ON/OFF (açma/kapatma) anahtarı ve F/R sürgülü anahtarı olmadan elektrikli el paftasını kullanmayın.**

**Bir kişi hem çalışma sürecini hem de ON/OFF (açma/kapatma) anahtarını kontrol etmelidir. Birden fazla kişi ile kullanmayın. Dolanma durumunda operatör, ON/OFF (açma/kapatma) anahtarının kontrolüne hakim olmalıdır.**

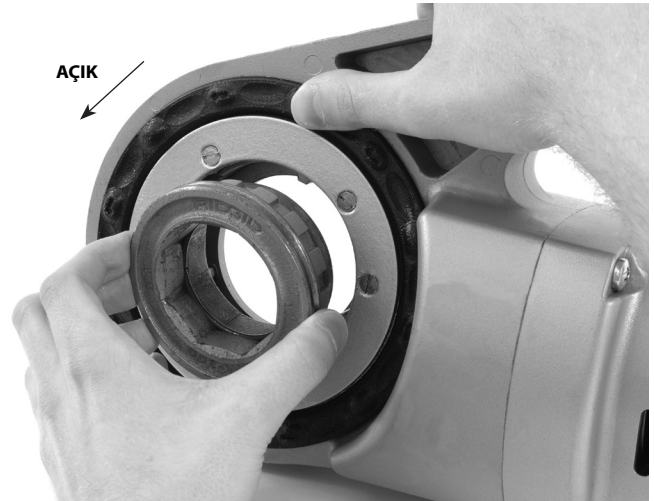
- Çalışma alanını aşağıdakiler açısından kontrol edin:
  - Yeterli ışıklandırma
  - Yanabilir sıvılar, alev alabilir buhar veya tozlar. Alanda böyle bir kaynak olması durumunda tanımlayıp düzeltene kadar çalışma yapmayın. Elektrikli el paftaları patlamaya dayanıklı değildir ve kıvılcımlara neden olabilir.
  - Tüm ekipman ve operatör için temiz, düz, sabit ve kuru bir yer olmalıdır.
  - İyi havalandırma. Küçük ve kapalı alanlarda uzun süre kullanmayın.
  - Doğru voltaja sahip düzgün bir şekilde bağlanmış elektrik prizi. Emin olmadığınız durumlarda prizi yetkili bir elektrik teknisyenine kontrol ettirin.
  - Elektrik prizine giden, elektrik kablosuna zarar verebilecek herhangi bir engelin olmadığı açık bir güzergâh.
- Diş açılacak boruyu ve ilgili bağlantıları inceleyin ve seçilen elektrikli el paftasının, iş için doğru alet olduğunu teyit edin. *Teknik Özelliklere bakın.* Düz malzeme dışında herhangi bir yerde diş açmak için kullanmayın. Başka uygulamalar için ekipman Ridge Alet katalogunda, çevrimiçi olarak RIDGID.com adresinde veya ABD ve Kanada'da (800) 519-3456 numaralı telefondan Ridge Aletleri Teknik Servisini arayarak bulunabilir.
- Kullanılacak ekipmanın doğru şekilde incelendiğinden emin olun.
- Boruyu gereken şekilde hazırlayın. Borunun kare şekilde kesildiğinden ve çapaklarının temizlendiğinden emin olun. Borunun açılı bir şekilde kesilmesi diş açarken paftalara hasar verebilir ve pafta kafasının kenetlenmesinde zorluk çıkarabilir.

## Pafta Kafalarının Takılması

- 690-I'ya 1½" veya 2" Kalıp Kafası veya Adaptörün Takılması:
  - ON/OFF (açma/kapatma) anahtarının bırakıldığından ve elektrikli el paftasının fişinin çekildiğinden emin olun.
  - Tespit mekanizmasını açmak için tahrik halkasını saatin tersi yönde döndürün. Pafta kafası veya adaptör (gerekiyorsa) freze ucunu elektrikli el paftasının içine sonuna kadar sokun (Şekil 7).
  - Tahrik halkasını bırakın ve pafta kafası/adaptörün sağlam olduğunu teyit edin.
  - Çıkarmak için işlemi ters sıralamada uygulayın.

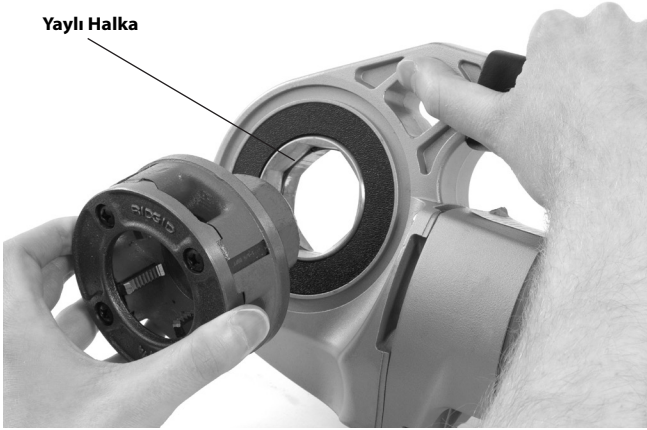


**Şekil 7 - Tespit Mekanizması, Tahrik Halkası Açık/Kapalı Konumda**



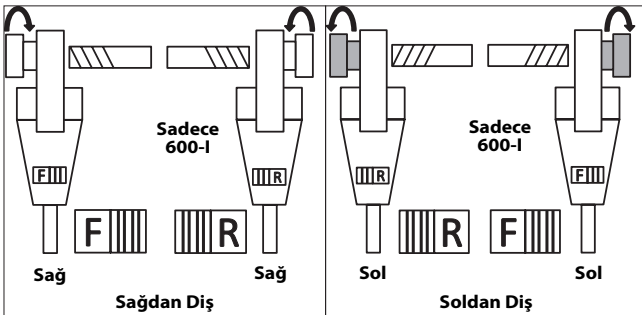
**Şekil 8 - Adaptörün 690-I İçine Takılması**

6. 1¼" ve daha küçük Pafta Kafalarının takılması:
  - a. ON/OFF (açma/kapatma) anahtarının bırakıldığından ve elektrikli el paftasının prizden çekildiğinden emin olun.
  - b. Gerekirse 690-I'ya adaptörü takın (Şekil 8).
  - c. Yaylı halka tarafından sabitleninceye kadar 11-R Pafta Kafasının sekizgen ucunu düz bir şekilde elektrikli el paftasının içine sokun. 600-I'da pafta kafası, elektrikli el paftasının herhangi bir ucuna sokulabilir. 690-I'da pafta kafaları sadece adaptör tarafından sokulabilir.
  - d. Çıkarmak için pafta kafasını elektrikli el paftasından dışarı çekin. Gerekirse pafta kafasını dışarı çıkarmak için yumuşak uçlu bir çekiç veya bir ahşap blok kullanın. Pafta kafasına vurmeyin, alete hasar verebilir.



**Şekil 9 - Pafta Kafalarının 600-I Elektrikli El Paftasına Takılması**

7. Elektrikli el paftası F/R Sürgülü Anahtarını istenen sol veya sağdan dış açma için yerleştirin. Bkz. Şekil 10.



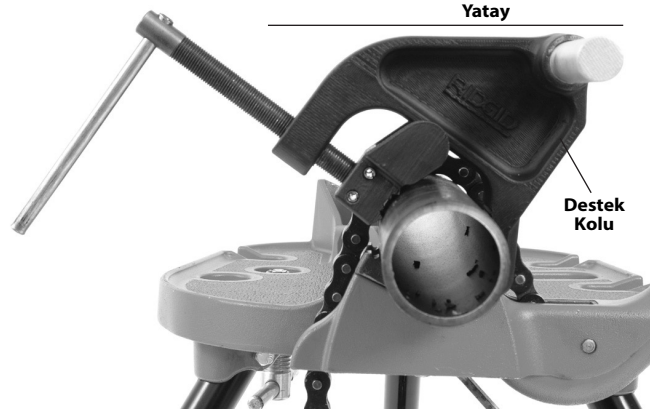
**Şekil 10 - Sürgülü Anahtar/Pafta Kafası Yönü**

8. Kullanım sırasında devrilmeyi önlemek için dış açılacak borunun dengeli ve sabitlenmiş olduğundan emin olun. Boru uzunluğunu desteklemeye uygun boru stantları kullanın.
9. RIDGID 418 yağlayıcıdaki RIDGID Dış Kesme Yağının seviyesini kontrol edin. Parçacık tablasını çıkarın ve filtre süzgecinin temiz olduğunu ve tamamen yağa battığını teyit edin. Gerekirse yağı değiştirin veya yağ ilave edin. 418 Yağlayıcı kepçesini dış açılacak boru ucunun altına yerleştirin.

## Dış Açma Kuvvetlerine Direnç Gösterme

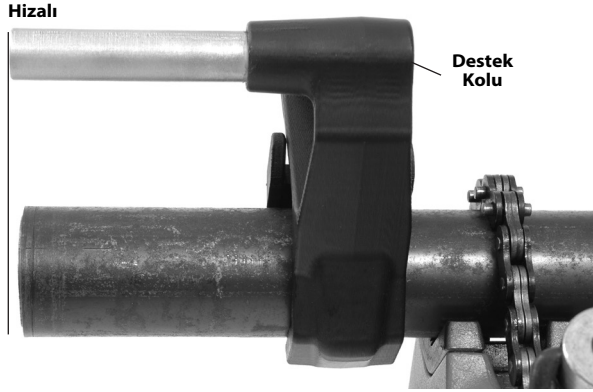
Verilen destek kolunu kullanarak:

- a. Alan veya başka kısıtlamalar yüzünden kullanılamaması durumu hariç daima verilen destek kolunu (600-I için 601 veya 602 destek kolu, 690-I için 691 veya 692 destek kolu) kullanın. Destek kolu boruya kelepçelenir ve dış açma kuvvetlerine direnç göstermeye yardımcı olur.
- b. Destek kolu, borunun ucuyla hizalanacak ve destek kolunun üst kısmı yatay olacak şekilde destek kolunu boruya yerleştirin (Şekil 11). Bu işlem dış açma için destek kolunu yerleştirir ve dış açma yağının motora girmesini önler (Şekil 12).
- c. Destek kolu çenelerinin boruyla düz bir şekilde hizalandığından emin olun ve destek kolunu sağlam bir şekilde sıkın.



**Şekil 11A - Destek Kolunun Konumlandırılması**





**Şekil 11B - Destek Kolumun Konumlandırılması**



**Şekil 12 - Elektrikli El Paftasının Doğru Yönü**

Destek kolu kullanılmadığında:

Yerinde boruya diş açarken veya benzer bir uygulamada alan kısıtlaması yüzünden destek kolu kullanılamayabilir.

- Mümkünse boruyu ve dişi bir mengenede çıkarın. Bu yapılamıyorsa örneğin elektrikli el paftası dişlisi veya fan muhafazasını bitişik bir yapısal elemana (örnekler içerisinde duvarlar, kirişler veya kalaslar yer alır) karşı yerleştirmek gibi diş açma kuvvetlerine direnç göstermeye yardımcı olması için başka destek cihazları kullanılmalıdır. Bu da borunun ve çevresindekilerin aletin ağırlığı ile diş açma kuvvetlerine dayanabilmesini gerektirir. Geçici veya kalıcı boru destekleri veya yapısal elemanlar eklemek gerekebilir.
- Sağdan açılan dişlerde pafta kafası saat yönünde döner (Pafta Kafasının ön tarafına bakarken). Diş açma torkunun oluşturduğu kuvvetler karşı veya saatin tersi yönde olacaktır. Dönüş ve kuvvet, soldan açılan dişlerde ters olacaktır. Destek cihazının, diş açma kuvvetini emecek şekilde hazırlandığından emin olun.
- Elektrikli el paftası hasarına neden olabileceğinden diş açma kuvvetlerine karşı etkide bulunmak için elektrikli el paftası motorunu veya sapı bitişik yapısal elemanlara karşı yerleştirmeyin.

d. Elektrikli El Paftasını yapı elemanı ile birlikte tutun ve el paftası ile yapı elemanı arasına parmağınızı veya elinizi sokmayın. Pafta kafasını gevşetirken başlık dişlerini kırmamak için el paftasını daima sağlam bir şekilde tutun. Bu adımlar, çarpma, ezilme ve başka yaralanma riskini azaltacaktır. Elektrikli el paftasını kapalı konuma çevirmek için anahtar düğmesi herhangi bir anda bırakılabilir.

Diş açarken veya pafta kafasını borudan dışarı çekerken kullanılan destek cihazından bağımsız olarak kuvvete karşı direnç göstermek için elektrikli el paftasını daima sağlam bir şekilde tutun. Bu çarpma, ezilme ve başka yaralanma riskini azaltacaktır. Elektrikli el paftasını kapalı konuma çevirmek için anahtar düğmesi herhangi bir anda bırakılabilir.

### Diş Açma

- Kuru ellerle elektrikli el paftası fişini takın.
- Pafta kafasını borunun üzerine yerleştirin ve elektrikli el paftasını *Diş Açma Kuvvetlerine Direnç Gösterme bölümünde açıklandığı gibi destekleyin.*



**Şekil 13 - Diş Açmaya Başlama**

- Aynı anda ON/OFF (açma/kapatma) anahtarını çalıştırın ve diş açmayı başlatmak üzere boştaki elinizin avuç içi ile Pafta Kafası kapak plakasına karşı itin. Kapak plakasını iterken eldiven ve takı takmayın veya bir bez kullanmayın - bu, dolanma ve yaralanma riskini artırır. Pafta boruya kenetlendiğinde paftalar kendilerini boru ucunun üzerine çekerken dişler kesilecektir.

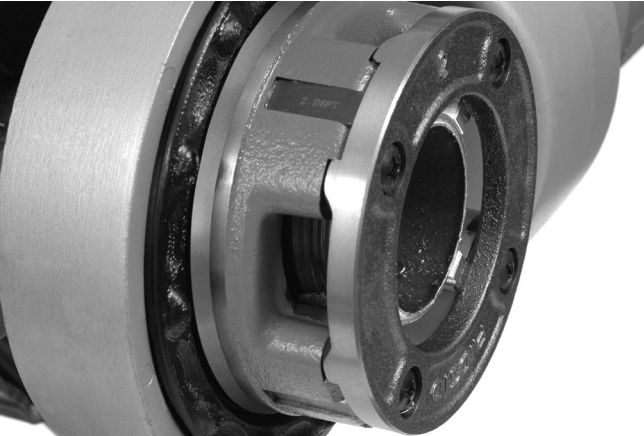
Sap kuvvetlerine direnç göstermek için elektrikli el paftası sapını daima sağlam bir şekilde tutun. Destek cihazları kayarak elektrikli el paftasının hareket etmesine neden olabilir. Elektrikli el paftasını kapalı konuma çevirmek için ON/OFF (açma/kapatma) anahtarı herhangi bir anda bırakılabilir.

13. Kapak plakasını itmeyi bırakın ve diş açılacak alana bol miktarda RIDGID Diş Kesme Yağı sürmek üzere yağlayıcıyı kullanın. Bu, diş açma torkunu düşürecek, diş kalitesini iyileştirecek ve pafta ömrünü uzatacaktır.



**Şekil 14 - Boruya Diş Açılması**

14. Borunun ucu paftaların kenarıyla aynı hizada oluncaya kadar ON/OFF (açma/kapatma) anahtarına basıp bırakın. Elektrikli el paftasının tamamen durmasını bekleyin.



**Şekil 15 - Paftanın Kenarıyla Hizalı Boru**

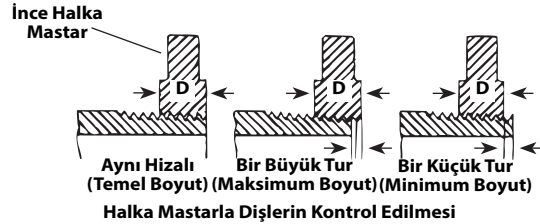
15. Pafta Kafasını diş açılan borudan çıkarmak için F/R sürgülü anahtarını ters çevirip ON/OFF (açma/kapatma) anahtarını çalıştırın. Pafta Kafasını geri çekerken oluşan sap kuvvetlerine direnç göstermek için elektrikli el paftası sapını daima sağlam bir şekilde tutun.

**BİLDİRİM** F/R sürgülü anahtarının konumunu sadece ON/OFF (açma/kapatma) anahtarı bırakıldığında değiştirin. F/R sürgülü anahtarı ile yönü tersine çevirmeden önce elektrikli el paftasının tamamen durmasını bekleyin. Bu, elektrikli el paftası hasar riskini azaltmaya yardımcı olacaktır.

16. Anahtarı bırakın ve elektrikli el paftası ile Pafta Kafasını borudan çıkarın.  
17. Kuru ellerle elektrikli el paftası fişini çıkarın.  
18. Keskin tozlar veya kenarlarla kendinizi kesmemeye dikkat ederek dişlerden ve pafta kafasından yağ ve tozları silin. Çalışma alanına dökülen yağları temizleyin.

### Dişlerin İncelenmesi

1. Dişten yağ, parçacık veya tozları temizleyin.
2. Dişi gözle inceleyin. Dişler iyi bir şekilde pürüzsüz ve eksiksiz olmalıdır. Diş yırtılması, ince dişler veya borunun ovalleşmesi gibi sorunlar gözlemlenirse işlem bittiğinde diş sızdırmazlık sağlamayabilir. Bu sorunların tanısına yardımcı olması için "Sorun Giderme" şemasına bakın.
3. Dişin boyutunu inceleyin. Diş boyutunu kontrol etmede tercih edilen yöntem, bir halka master kullanmaktır. Çok çeşitli halka master stilleri vardır ve kullanımları, Şekil 16'da gösterilenden farklılık gösterebilir.
  - Halka masterı elle sıkarak diş üzerine vidalayın.
  - Boru ucunun halka mastarda ne kadar ilerlediğine bakın. Borunun ucu, eksi veya artı bir tur masterın yan tarafıyla aynı hizada olmalıdır. Diş doğru ölçülmezse diş kesin, pafta kafasını ayarlayın ve başka bir diş kesin. Doğru ölçüde olmayan bir diş kullanılması, kaçaklara neden olabilir.



**Şekil 16 - Diş Boyutunun Kontrol Edilmesi**

- Diş boyutunu incelemek için bir halka master yoksa diş boyutunu ölçmek için işte kullanılanların temsili yeni bir temiz bağlantı kullanmak mümkündür. 2" ve NPT altı dişlerde, dişler bağlantıyla elle sıkarak kenetleme için 4 ila 5 tur ve 2" ile BSPT altı dişler için 3 tur elde edecek şekilde kesilmelidir.

## Bakım Talimatları

### ⚠ UYARI

Herhangi bir bakım veya ayar yapmadan önce ON/OFF (açma/kapatma) anahtarının bırakıldığından ve makine ve fişinin çekili olduğundan emin olun.

Elektrik çarpması, dolaşma ve diğer sebeplerden kaynaklanabilecek yaralanma riskini azaltmak için bu talimatlara uygun bakım yapın.

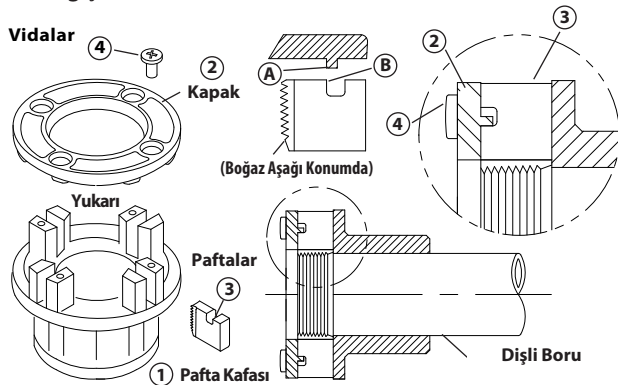
### Temizleme

1. Her kullanımdan sonra 418 Yağlayıcı parçacık tablasından dış açma parçacıklarını boşaltıp yağ artıklarını silin.
2. Saplar ile kumandalar dahil elektrikli el paftasından her türlü yağ, gres, parçacık veya kiri temizleyin. 690-I tespit mekanizmasını temizleyin.
3. Destek kolundan her türlü yağ, gres veya kiri temizleyin. Gerekirse destek kolu çenelerini bir tel fırçayla temizleyin.
4. Pafta kafalarından parçacıkları ve kiri temizleyin.

### 11-R Pafta Kafalarındaki Paftaların Değiştirilmesi

RIDGID 11-R Pafta Kafalarına takmak için çeşitli paftalar mevcuttur. Seçenekleri görmek için kataloga bakın.

1. Dört vidayı ④ kapaktan ② çıkarıp kapak plakasını sökün.
2. Eski paftaları ③ pafta kafasından çıkarın.
3. Numaralı kenar yukarı bakacak şekilde yeni paftaları yuvaların içine sokun. Paftalardaki rakamlar, pafta kafası yuvalarındakilere eşleşmelidir. Paftaları daima set olarak değiştirin.



Şekil 17 - Paftaların Pafta Kafasına Takılması

4. Kapak plakasını geri takıp dört vidayı hafif şekilde sıkın.
5. Pafta dış açmaya başlayıncaya kadar pafta kafasını halihazırda dış açılmış boru üstüne yerleştirin. Bu, kapak plakası üstünde tırnaklara ④ karşı paftalardaki stoperi ④ dışa doğru iter ve boyutu doğru şekilde ayarlar.
6. Dört vidayı sağlam şekilde sıkın. Dişli boruyu çıkarıp bir test kesimi yapın.

### Motordaki Fırçaların Değiştirilmesi

Motor fırçalarını her 6 ayda bir kontrol edin. 5/16" (8 mm) altına aşındıklarında değiştirin.



Şekil 18 - Fırçanın Takılması

1. Makineyi güç kaynağından ayırın.
2. Fırça keplerini gevşetin (Şekiller 1 ve 2). Fırçaları çıkarıp inceleyin. 5/16" (8 mm) altına aşındıklarında değiştirin. Komütatörü aşınma açısından kontrol edin. Aşırı derecede aşınmışsa makineyi servise gönderin.
3. Fırçaları geri takın/yeni fırçalar takın ve fırça keplerini sağlam bir şekilde sıkın.
4. Kullanmadan önce fırçaların komütatöre oturmasını sağlamak için üniteyi rölantide 15 dakika ileri yönde, ardından 15 dakika geri yönde çalıştırmak iyi bir uygulamadır.

### Aksesuarlar

#### ⚠ UYARI

Ağır yaralanma riskini azaltmak için sadece aşağıda listelenenler gibi 600-I ve 690-I Elektrikli El Paftaları ile kullanım için özel olarak tasarlanıp tavsiye edilen aksesuarları kullanın. Başka aletlerle kullanıma uygun olan başka Aksesuarlar, 600-I ve 690-I Elektrikli El Paftaları ile kullanıldığında tehlikeli olabilir.

**600-I ve 690-I Elektrikli El Paftası Aksesuarları**

Katalog No.	Tanım
45923	602 Destek Kolu
45928	692 Destek Kolu
46668	600-I Taşıma Çantası
46673	690-I Taşıma Çantası
10883	1 Galon (3,8 litre) Nu-Clear Yağ ile birlikte 418 Yağlayıcı
16703	425 1/8" - 2 1/2" TRISTAND Mengene
36273	460-6 1/8" - 6" TRISTAND Mengene
45543	115V Fırçalar
45588	230V Fırçalar

Alete özgü aksesuarlarla ilgili daha fazla bilgi RIDGID kataloğunda ve çevrimiçi olarak aşağıdaki adresten bulunabilir: RIDGID.com

**Makinenin Depolanması**

**⚠ UYARI** Elektrikli El Paftaları kapalı mekanda veya yağmurlu havalarda iyice örtülmüş şekilde saklanmalıdır. Makineyi, çocukların ve makinelere aşına olmayan insanların ulaşamayacağı kilitli yerlerde saklayın. Bu makineler, eğitimsiz kullanıcıların elinde ciddi yaralanmalara sebep olabilir.

**Servis ve Tamir****⚠ UYARI**

**Hatalı bakım ve onarım makinenin çalışmasını güvensiz kılabilir.**

"Bakım Talimatları", bu makinenin bakım gereksinimlerinin çoğunu karşılayacaktır. Bu bölümde bahsedilmeyen sorunlar sadece yetkili bir RIDGID bakım teknisyeni tarafından ele alınmalıdır.

Alet bir RIDGID Yetkili Bağımsız Servis Merkezine götürülmeli veya fabrikaya iade edilmelidir. Sadece RIDGID servis parçalarını kullanın.

Size en yakın RIDGID Yetkili Bağımsız Servis Merkezi veya bakım veya onarım ile ilgili bilgi almak için:

- Bulduğunuz bölgedeki RIDGID bayisi ile iletişim kurun.
- Yerel RIDGID irtibat noktasının iletişim bilgilerine erişmek için RIDGID.com adresini ziyaret edin.
- rtctechservices@emerson.com adresinden veya ABD ile Kanada'dan (800) 519-3456 numaralı telefonu arayarak Ridge Aletleri Teknik Servis Departmanı ile iletişime geçebilirsiniz.

**Diş Açma Yağı**

RIDGID® Diş Kesme Yağının kullanılması ve elleçlenmesi ile ilgili bilgi için kaptaki etiketlere ve Malzeme Güvenlik Verileri Belgesine (MSDS) bakın. MSDS, RIDGID.com adresinden veya ABD ve Kanada'da (800) 519-3456 numaralı telefonda veya rtctechservices@emerson.com adresinden Ridge Aletleri Teknik Servis Departmanına danışarak temin edilebilir.

**Elden Çıkarma**

Elektrikli El Paftalarının parçaları değerli malzemeler içerir ve geri dönüştürülebilir. Bulduğunuz bölgede geri dönüşüm konusunda uzmanlaşmış şirketler bulunabilir. Parçaları geçerli düzenlemelere göre elden çıkarın. Daha fazla bilgi için yerel yetkili atık yönetimi birimi ile iletişim kurun.



**AB Ülkeleri için:** Elektrikli cihazları ev atıkları ile birlikte atmayın!

Atık Elektrikli ve Elektronik Cihazlar için Avrupa Yönergesi 2012/19/EU ve yerel mevzuata uygulanmasına göre, kullanılmayacak durumdaki elektrikli cihazlar ayrı olarak toplanmalı ve çevreye zarar vermeyecek şekilde elden çıkarılmalıdır.

## Sorun Giderme

BELİRTİ	OLASI NEDENLER	ÇÖZÜM
<b>Makine çalışmayacaktır.</b>	Fırçalar bobine dokunmuyor.	Fırçaları kontrol edin, aşınmışsa değiştirin.
<b>Makine dış açamayacaktır.</b>	Körelmiş paftalar. Aşınmış veya ovalleşmiş dişler yüzünden aşırı yüklenme. Kötü kaliteli veya yetersiz diş kesme yağı. Yetersiz hat voltajı.	Paftaları değiştirin. Aşağıdaki olası sebeplere bakınız. Yeterli miktarda RIDGID® Diş Kesme Yağı kullanın. Güç kaynağı voltajını kontrol edin.
<b>Motor komütatöründe kıvılcım oluşması.</b>	Fırçalar ile komütatör arasında yetersiz temas. Fırçalar komütatöre doğru şekilde temas etmiyor. Farklı üreticilerin fırçaları. Yeni fırçalar.	Fırçaların komütatör üzerine sağlam bir şekilde bastırıldığından emin olmak için fırça keplerini sıkın. Aşınmış fırçaları ve/veya bobini değiştirin. Sadece RIDGID® fırçalar kullanın. Üniteyi rölantide 15 dakika İleri ve Geri yönde çalıştırarak fırçaları oturtun.
<b>Pafta kafası dış açmıyor.</b>	Pafta kafası borunun ucuyla aynı hizada değil. Kenetleme kuvveti pafta kafasına doğru tatbik edilmemiş. Boru ucu düz kesilmemiştir. Körelmiş veya bozuk paftalar. Yanlış yönde çalışan makine. Pafta kafasında yanlış ayarlanan paftalar.	Diş açmaya başlamak için pafta kafası kapak plakasına karşı itin. Borunun merkez çizgisinden kenetleme kuvveti tatbik edin. Boru ucunu düz şekilde kesin. Paftaları değiştirin. F/R Sürgülü Anahtarın konumunu kontrol edin. Vida lokmalarının kapak plakası tırnaklarına karşı dışa doğru ayarlandığından emin olun.
<b>Aşınmış dişler.</b>	Hasarlı, soyulmuş veya aşınmış paftalar. Yanlış veya yetersiz diş kesme yağı. Malzemeye göre yanlış pafta türü. Kötü boru malzemesi/kalitesi.	Paftaları değiştirin. Sadece yeterli miktarda RIDGID® Diş Kesme Yağı kullanın. Uygulamaya uygun yüksek hızlı, paslanmaz çelik veya alaşım paftalar seçin. Yüksek kalitede boru kullanın.
<b>Ovalleşmiş veya ezilmiş dişler.</b>	Boru duvarı kalınlığı çok ince.	Tarife 40 veya daha yüksek duvar kalınlığı kullanın.
<b>Diş açma esnasında destek cihazı dönüyor.</b>	Destek kolu çeneleri kirli. Destek kolu doğru hizalanmamış. Destek kolu sıkı değil.	Tel fırça ile temizleyin. Destek kolunu boruyla düz şekilde hizalayın. Besleme vidasını sıkın.
<b>İnce Dişler.</b>	Paftalar doğru sıralamada yerleştirilmemiş.	Paftaları pafta kafası yuvasına doğru şekilde yerleştirin.



# Қозғалтқыш жетектері

## 600-1/690-1



### ⚠ ЕСКЕРТУ!

Осы құралды пайдаланбас бұрын осы пайдалану бойынша нұсқаулықты мұқият оқыңыз. Осы нұсқаулықтың мазмұнын түсінбеу және орындамау жағдайында ток соғу, өрт және/немесе қауіпті жарақаттар алу жағдайлары орын алуы мүмкін.

#### 600-1/690-1 қозғалтқыш жетектері

Төмендегі сериялық нөмірді жазыңыз және тақтайшадағы өнімнің сериялық нөмірін сақтаңыз.

Сериялық  
нөмір.

## Мазмұны

Құрылғының сериялық нөміріне арналған жазу формасы .....	357
Қауіпсіздік символдары .....	359
<b>Жалпы электр жабдығы қауіпсіздігі ескертулері</b> .....	359
Жұмыс аймағының қауіпсіздігі .....	359
Электр қауіпсіздігі .....	359
Жеке қауіпсіздік .....	360
Электр жабдығын пайдалану және күтім көрсету .....	360
Қызмет көрсету .....	361
<b>Арнайы қауіпсіздік ақпараты</b> .....	361
Электр жетегінің қауіпсіздігі .....	361
<b>Сипаттама, спецификациялар және стандартты жабдық</b> .....	361
Сипаттама .....	361
Стандартты жабдық.....	362
Спецификациялар.....	362
<b>Жұмыс алдында тексеру</b> .....	363
<b>Орнату және іске қосу</b> .....	364
Кескіш бастиектерді орнату.....	365
Кесу күшіне қарсы тұру .....	366
Кесу .....	367
Бұрандаларды тексеру.....	367
<b>Техникалық қызмет көрсету нұсқаулары</b> .....	368
Тазалау.....	368
11-R кескіш бастиектеріндегі кескіштерді өзгерту.....	368
Мотордағы щеткаларды ауыстыру .....	368
<b>Керек-жарақтар</b> .....	369
<b>Құрылғыны сақтау</b> .....	369
<b>Қызмет және жөндеу</b> .....	369
<b>Кесуге арналған май</b> .....	369
<b>Тастау</b> .....	369
<b>Ақауларды жөндеу</b> .....	370
<b>ЕО сәйкестік мәлімдемесі</b> .....	Ішкі артқы мұқабасы
<b>Толық пайдалану мерзіміне берілетін кепілдік</b> .....	Артқы беті

\* Түпнұсқа нұсқаулардан аударма



## Қауіпсіздік символдары

Осы пайдалану бойынша нұсқаулықта және өнімде қауіпсіздік белгілері мен сигнал сөздер маңызды қауіпсіздік мәліметтерін хабарлау үшін пайдаланылады. Бұл бөлім осы сигнал сөздерді және белгілерді түсінуді жақсарту үшін берілген.



Бұл – қауіптілікті ескерту белгісі. Ол ықтимал жарақат алу қауіптерін ескерту үшін пайдаланылады. Ықтимал жарақат алу немесе өлім жағдайларын болдырмау үшін белгіден кейінгі барлық қауіпсіздік хабарларын орындаңыз.



**ҚАУІП** ҚАУІП орындалмаған жағдайда орындалмаған жағдайда өлімге немесе күрделі жарақатқа әкелетін қауіпті жағдайларды білдіреді.



**ЕСКЕРТУ** ЕСКЕРТУ орындалмаған жағдайда өлімге немесе күрделі жарақатқа әкелуі мүмкін қауіпті жағдайларды білдіреді.



**САҚТАНДЫРУ** САҚТАНДЫРУ орындалмаған кезде жеңіл немесе орташа жарақаттарға әкелетін қауіпті жағдайларды білдіреді.



**ЕСКЕРТПЕ** ЕСКЕРТПЕ меншікті қорғауға қатысты ақпаратты білдіреді.



Бұл белгі құрылғыны пайдаланбас бұрын пайдалану бойынша нұсқаулықты мұқият оқып шығуды білдіреді. Пайдалану бойынша нұсқаулықта құрылғымен қауіпсіз және дұрыс жұмыс істеу бойынша маңызды ақпарат қамтылған.



Бұл белгі көздің зақымдалу қаупін азайту үшін осы жабдықты қолдану немесе пайдалану кезінде бүйірлік қалқандары бар қауіпсіздік қолғабын немесе қорғаныш көзәйнегіні әрқашан киюді білдіреді.



Бұл белгі саусак, қол, киім немесе басқа да нысандардың тісті дөңгелектер немесе басқа да айналмалы бөліктерде немесе олардың арасында қалу қаупін және сыну жарақаттарының болуын көрсетеді.



Бұл символ электр тогының соғуы қаупін білдіреді.



Бұл символ құрылғының шалқайып, соқтығысу немесе сыну жарақаттарына ікелуі қаупін білдіреді.



Бұл символ құрылғыны іске қосқан кезде ілінісу қаупін азайту үшін қолғап кимеу керектігін білдіреді.



Бұл символ тарту күштеріне қарсу тұру, бақылауды жақсарту және соқтығысу, сыну қаупін азайту және/немесе басқа жарақаттардың қаупін төмендету үшін қосымша жабдық пайдаланылатынын білдіреді.

## Жалпы электр жабдығы қауіпсіздігі ескертулері\*

### ▲ ЕСКЕРТУ

Бұл электр құралымен берілген барлық қауіпсіздік ескертулерін, нұсқауларын, суреттерін және сипаттамаларын оқыңыз. Төменде көрсетілген барлық нұсқауларды орындамау электр тогының соғуына, өртке және/немесе ауыр жарақатқа әкелуі мүмкін.

### БОЛАШАҚТА АНЫҚТАМАЛЫҚ РЕТІНДЕ ПАЙДАЛАНУ ҮШІН БАРЛЫҚ ЕСКЕРТУЛЕР МЕН НҰСҚАУЛАРДЫ САҚТАҢЫЗ!

"Электр жабдығы" желілік (сымды) электр жабдықтарына немесе батареямен жұмыс істейтін (сымсыз) қуат құралдарына қатысты қолданылады.

### Жұмыс аймағының қауіпсіздігі

- Жұмыс аймағын таза әрі жарық ұстаңыз. Затқа толы немесе қараңғы орындар бақытсыз жағдайлар ықтималдығын арттырады.

- Жарылыс қаупі бар орталарда, мысалы, тұтанғыш сұйықтықтар, газдар немесе шаң бар жерде электр жабдықтарына іске қосуға болмайды. Электр жабдықтары ұшқын шығарып, бұл шаң немесе түтін шығаруы мүмкін.
- Электр жабдығын іске қосқан кезде балалар мен жаныңыздағы адамдарды алшақ ұстаңыз. Көңіліңіз бөлінген жағдайда бақылаудан айырылуыңыз мүмкін.

### Электр қауіпсіздігі

- Электр жабдығы розеткаға сәйкес келуі керек. Қосқышты қандай да бір жолмен модификациялауға болмайды. Жерге қосылған электр жабдықтарымен адаптерді пайдалануға болмайды. Модификацияланбаған қосқыштар және сәйкес келетін розеткалар электр тогының соғуы қаупін азайтады.
- Құбырлар, радиаторлар, желілер және рефрижераторлар сияқты жерге қосылған беткейлерге денені тигізбеңіз. Денеңіз жерге тиіп тұрса, электр тогына соғылу қаупі артады.

\* Осы нұсқаулықтың Жалпы электр жабдығы қауіпсіздігі ескертулері бөліміндегі мәтін талапқа сәйкес қолданыстағы UL/CSA 62841 стандартынан дәлме-дәл алынады.

Бұл бөлімде көптеген түрлі электр жабдықтары үшін жалпы қауіпсіздік әдістерін қамтиды. Барлық сақтандырулар барлық құралдарға пайдаланылмайды және кейбіреуі бұл құралға қолданылмайды.

- **Электр жабдықтарын жаңбыр астында немесе ылғалды жағдайларда ұстауға болмайды.** Электр жабдығына су кірсе, электр тогының соғуы қауіп артады.
- **Сымды дұрыс пайдалану керек.** Сымды электр жабдығын тасу, тарту немесе желіден ажырату үшін пайдалануға болмайды. Сымды қызу көзінен, бензиннен, өткір жиектер немесе қозғалмалы бөлшектерден алшақ ұстаңыз. Зақымданған немесе шатасқан сым электр тогының соғуы қауіпін арттырады.
- **Электр жабдығын сыртта іске қосқан кезде сыртта пайдалануға жарамды ұзартқыш сымды пайдаланыңыз.** Сыртта пайдалануға арналған сымды пайдалану электр тогының соғуы қауіпін азайтады.
- **Электр жабдығын дымқыл орында пайдалануға тура келсе, жерге тұйықталған кезде тізекті үзушімен (GFCI) қорғалған құралды пайдаланыңыз.** GFCI пайдалану электр тогының соғуы қауіпін азайтады.

### Жеке қауіпсіздік

- **Мұқият болыңыз, не істеп жатқаныңызды бақылаңыз және электр жабдығын пайдалану кезінде саналы іс-әрекет жасаңыз.** Шаршаған кезде немесе есірткі, алкоголь немесе дәрі-дәрмек әсерінде болғанда электр жабдығын пайдаланбаңыз. Электр жабдығын пайдалану кезінде ұқыпсыздық ауыр дене жарақатына әкелуі мүмкін.
- **Жеке қорғаныс құралын пайдаланыңыз.** Үнемі көз қорғанышын пайдаланыңыз. Белгілі бір жағдайларда пайдаланылатын қорғаныш құрал, мысалы, шаңнан қорғайтын маска, тайғанатпайтын қорғаныш аяқ киімдері, каска немесе есту органдарын қорғау құралы жеке дене жарақаттары қауіпін азайтады.
- **Еріксіз іске қосылудың алдын алыңыз.** Қуат көзіне және/немесе батареяға қоспас бұрын, құрылғыны көтеру немесе тасымалдау алдында қосқыштың ӨШІРУ күйінде екеніне көз жеткізіңіз. Электр жабдықтарын саусақты қосқыштың үстіне қойып тасымалдау немесе қосқышы ҚОСУ күйіндегі электр жабдықтарына қуат беруді қосу бақытсыз жағдайларға әкеледі.
- **Электр жабдығын ҚОСУ алдында реттегіш кілтті немесе бұранданы алып тастаңыз.** Электр жабдығының айналмалы бөлігіне бекітулі қалған бұранда немесе кілт дене жарақатына әкелуі мүмкін.
- **Жүктемені тым көп беруге болмайды.** Сәйкес негізді және балансты үнемі сақтап отырыңыз. Бұл күтпеген жағдайларда электр жабдығын жақсырақ қадағалауға мүмкіндік береді.
- **Сәйкесінше киініңіз.** Бос киім немесе әшекей тақпаңыз. Шашыңызды, киіміңізді және қолғаптарыңызды қозғалмалы бөлшектерден алшақ ұстаңыз. Бос киім, әшекей немесе ұзын шаш қозғалмалы бөлшектерге ілінісуі мүмкін.

- **Егер шаңды бөліп алу және жинау бөлшектері үшін құрылғылар берілген болса, олар жұрыс қосылғанына және тиісінше пайдаланылатынына көз жеткізіңіз.** Шаң жинағышты пайдалану шаңға қатысты зияндарды азайтуға мүмкіндік береді.
- **Құралдарды жиі пайдаланудан олармен таныс болуыңыз сақтығыңызды жоғалтып, құрал қауіпсіздігінің қағидаларының еленбеуіне жол бермеңіз.** Абайсыз әрекет әп-сәтте ауыр жарақатқа себеп болуы мүмкін.

### Электр жабдығын пайдалану және күтім көрсету

- **Электр жабдығына күш түсірмеңіз.** Құрылғы үшін тиісті электр жабдығын пайдаланыңыз. Дұрыс электр жабдығы жұмысты өзіне белгіленген жылдамдықпен жақсырақ және қауіпсіздік істейді.
- **Қосқыш арқылы оны ҚОСУ және ӨШІРУ мүмкін болмаса, электр жабдығын пайдаланбаңыз.** Қосқышпен басқарылмайтын кез келген электр жабдығы қауіпті болып табылады және оны жөндеу қажет.
- **Реттеулер орындау, қосалқы құралдарды ауыстыру немесе электр құралдарын сақтау алдында ашаны қуат көзінен ажыратыңыз және/немесе алынбалы болса, батарея жинағын электр құралынан алып тастаңыз.** Мұндай алдын алу қауіпсіздік шаралары электр құралының байқаусызда іске қосылу қауіпін азайтады.
- **Пайдаланылмайтын электр жабдықтарын балалардың қолы жетпейтін жерде сақтаңыз және электр жабдықтарымен немесе нұсқаулармен таныс емес адамдарға онымен жұмыс істеуге рұқсат етпеңіз.** Электр жабдықтары жаттықпаған пайдаланушылар қолданған жағдайда қауіпті болуы мүмкін.
- **Электр құралдары мен қосалқы құралдарына техникалық қызмет көрсетіңіз.** Қозғалмалы бөлшектердің тура келмеушіліктерін немесе қысылып қалуын, бөлшектердің сынуын және электр құралының жұмысына әсер етуі мүмкін басқа жағдайларды тексеріңіз. Егер зақымданса, электр құралын пайдаланбас бұрын жөндеңіз. Көптеген оқыс оқиғалар дұрыс қызмет көрсетілмеген электр құралдарына байланысты орын алады.
- **Кескіш құралдарды өткір әрі таза ұстаңыз.** Өткір жиектері бар сәйкесінше ұсталатын кескіш құралдар қатып қалмайды және оларды басқару оңай.
- **Электр жабдығын, керек-жарақтарды және бекітілетін кескіштерді жұмыс жағдайлары мен орындалатын жұмыстарды ескере отырып, осы нұсқауларға сәйкес пайдаланыңыз.** Электр жабдығын өзге мақсаттарда пайдалану қауіпті жағдайдың орын алуына әкелуі мүмкін.
- **Тұтқаларды және ұстайтын беттерді құрғақ, таза ұстаңыз және тамған майды сүртіңіз.** Сырғанақ тұтқалар мен ұстау беттері қауіпсіз қолдануға және күтпеген жағдайларда құралды басқаруға мүмкіндік бермейді.

## Қызмет көрсету

- **Электр жабдығына білікті жөндеуші маманның тек бірдей ауыстыру бөлшектерімен қызмет көрсетуін қадағалаңыз.** Бұл электр жабдығының қауіпсіздігі сақталуымен қамтамасыз етеді.

## Арнайы қауіпсіздік ақпараты

### ▲ ЕСКЕРТУ

Бұл бөлімде осы жабдыққа қатысты маңызды қауіпсіздік ақпараты қамтылады.

Электр тогының соғуы немесе ауыр дене жарақатын алу қаупін азайту үшін қозғалтқыш жетек көмегімен алдын ала сақтандыруларды мұқият оқып шығыңыз.

### Осы нұсқауларды сақтаңыз!

Бұл нұсқауларды оператор пайдалануы үшін құрылғымен бірге ұстаңыз.

## Электр жетегінің қауіпсіздігі

- **Үнемі құралмен берілетін тіреуіш құрылғыны пайдаланыңыз.** Пайдалану кезінде басқаруды жоғалту дене жарақатына әкелуі мүмкін.
- **Құралды пайдаланған кезде жеңдеріңіз бен кеудешелеріңіздің түймесін салыңыз.** Құрал немесе құбыр арқылы қолыңызды **созбаңыз.** Киімді құбыр немесе құрал тартып, нәтижесінде оралып қалуы мүмкін.
- **Тек бір адам жұмыс процесін және құрал жұмысын басқаруы тиіс.** Процесске басқа адамдардың қатысуы орынсыз жұмыс істеуіне және дене жарақатына әкелуі мүмкін.
- **Еденді құрғақ және май сияқты тайғақ материалдардан таза ұстаңыз.** Тайғақ еден келеңсіз жағдайлар ықтималдығын арттырады.
- **Құралды пайдаланған кезде қолғап кимеңіз.** Құрал немесе құбыр арқылы қолыңызды **созбаңыз.** Қолғапты құбыр немесе құрал тартып, нәтижесінде оралып қалуы мүмкін.
- **Пайдаланылатын тіреу құрылғысына қарамастан, бұрандакесу күшіне қарсы тұру үшін құбыр бұрандасын кесу немесе бастиекті шығару кезінде электр жетегін үнемі қатты ұстаңыз.** Бұл соққы, езу және басқа жарақат қаупін азайтады.
- **Осы құрылғыны тиісті түрде пайдалану нұсқауларын орындаңыз.** Саңылаулар тесу немесе көтергішті бұру сияқты басқа мақсаттарда пайдаланбаңыз. Осы құрылғыны басқаша пайдалану немесе басқа мақсаттарда түрлендіру ауыр жарақат қаупін арттыруы мүмкін.
- **Егер ҚОСУ/ӨШІРУ қосқышы бұзылған болса, осы электр жетегін пайдаланбаңыз.** Бұл қосқыш саусағыңызды алып, қозғалтқышты өшіру мүмкіндігін беретін қауіпсіздік құрылғысы болып табылады.

- **Өтпейтін немесе зақымдалған кескіштерді пайдаланбаңыз.** Өткір кесу құралдары аздау айналу кезін талап етеді және электр жетегін басқару оңайлау болады.
- **Тұтқаларды құрғақ және таза күйде, майдан және жақпа майдан таза ұстаңыз.** Құрал басқаруын жақсартады.
- **RIDGID электр жетектерімен тек RIDGID бастиектерін пайдаланыңыз.** Басқа бастиектер электр жетегіне дұрыс енгізілмеуі мүмкін және жабдық зақымының және дене жарақатының қаупін арттырады.

Егер осы RIDGID® өніміне қатысты қандай да бір сұрақ туындаса:

- Жергілікті RIDGID дистрибьюторына хабарласыңыз.
- Жергілікті RIDGID байланыс орнын табу үшін RIDGID.com торабына кіріңіз.
- Ridge құралдарына техникалық қызмет көрсету бөліміне [rtctechservices@emerson.com](mailto:rtctechservices@emerson.com) мекенжайына жазу арқылы немесе АҚШ және Канадада (800) 519-3456 нөміріне қоңырау шалу арқылы хабарласыңыз.

## Сипаттама, спецификациялар және стандартты жабдық

### Сипаттама

RIDGID® 600-I және 690-I үлгілі қозғалтқыш жетектері тартқыш құбырлар және келте құбырды қуатпен қамтамасыз ететін қос оқшауланған жетектер болып табылады. ҚОСУ/ӨШІРУ қосқышы екі қадамдық лездік контакт қосқышымен бақыланатын кезде Алға және Кері айналдыруды жүгірткі қосқышымен таңдауға болады.

600-I қозғалтқыш жетегі RIDGID 11-R Түсірілген кескіш бастиектерді (½ – 1¼ дюйм құбыры) пайдалану үшін арналған. 690-I қозғалтқыш жетегі RIDGID 11-R Түсірілген кескіш бастиектерді (½ – 2 дюйм құбыры) пайдалану үшін арналған. Адаптер ½ – 1¼ дюймдік 690-I қозғалтқыш жетегін пайдалану үшін қажет. Адаптер және 1½ – 2 дюйм өлшемдері стопор механизмін пайдаланатын 690-I қозғалтқыш жетегінде қолданылады.



1-сурет – 600-I үлгісі қозғалтқыш жетегі



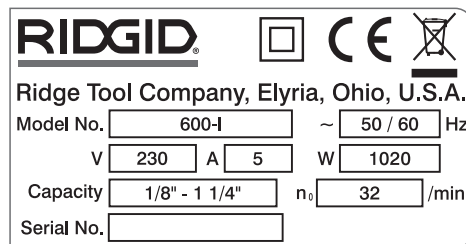
2-сурет – 690-I үлгісі қозғалтқыш жетегі



3-сурет – 602/692 тірек біліктері

600-I қозғалтқыш жетегі және 690-I қозғалтқыш жетегі құрылғысының сериялық нөмірі тақтайшасы мотор корпусының астында орналасады.

Сериялық нөмірдің соңғы 4 саны өндірілген айы мен жылын білдіреді (ААЖЖ).



4-сурет – Құрылғының сериялық нөмірі

### Стандартты жабдық

600-I/690-I үлгісі электр жетектері келесі бұйымдармен бірге келеді:

- Қозғалтқыш жетегі
- 690-I адаптері (тек 690-I)
- Пайдалану нұсқаулығы

**ЕСКЕРТПЕ** Сәйкес материалдар таңдау мен орнату, жинау және құрастыру әдістері үшін жүйені құрастырушы және/немесе орнатушы жауапты. Дұрыс емес материалдарды және әдістерді таңдау жүйенің істен шығуына әкелуі мүмкін.

Тот баспайтын болат және басқа коррозияға төзімді материалдар орнату, жинау және құрастыру кезінде ластануы мүмкін. Бұл ластану коррозияны және мезгілінен бұрын бұзылуға әкелуі мүмкін. Белгілі бір қызмет көрсету жағдайлары, соның ішінде химиялық жағдайлар және температуралар үшін материалдар және әдістерді мұқият бағалауды қандай да бір орнату әрекеті алдында орындалуы керек.

### Спецификациялар

Параметр	600-I қозғалтқыш жетегі	690-I қозғалтқыш жетегі
Құбырды кесу сыйымдылығы	½ - 1¼ дюйм (3 - 32 мм)	½ - 2 дюйм (3 - 50 мм)
Кесу бастиегін ұстау	Сақина серіппесі	Стопорлық механизм (1½ – 2 дюйм) Сақина серіппесі (½ – 1¼ дюйм)
ІН бұрандалары	Иә	Иә
Тірек білігі	Жоқ. 602, Жоқ. 601	Жоқ. 692, Жоқ. 691
Адаптер	Қажет емес.	½ - 1¼ дюйм кесу бастиектерімен пайдаланылады.
Мотор түрі	Әмбебап мотор, бір фаза	Әмбебап мотор, бір фаза
Ватт	1270 (120 В), 1020 (220-240 В)	1270 (120 В), 1020 (220-240 В)
Кернеу/Қол жетімді фаза	120 В/1РН, 220-240 В/1РН	120 В/1РН, 220-240 В/1РН
Ампер	12 А (120 В), 5 А (220-240 В)	12 А (120 В), 5 А (220-240 В)
Жұмыс жылдамдығы (айн/мин)	36 (120 В), 32 (220-240 В)	36 (120 В), 32 (220-240 В)
Басқару тетіктері	Алға/Кері жүгірткі қосқышы ҚОСУ/ӨШІРУ екі қадамдық лездік контакт қосқышы	Алға/Кері жүгірткі қосқышы ҚОСУ/ӨШІРУ екі қадамдық лездік контакт қосқышы
Тісті редуктор	Қысыммен құйылатын ұдайы майлы алюминий	Қысыммен құйылатын ұдайы майлы алюминий

### Спецификациялар (Жалғасы бар)

Ұзындығы	20 дюйм (508 мм)	24,13 дюйм (613 мм)
Ені	3,75 дюйм (95 мм)	4,75 дюйм (121 мм)
Биіктігі	7,5 дюйм (191 мм)	8 дюйм (203 мм)
Салмағы	12,65 фунт (5,7 кг)	21,15 фунт (9,6 кг)
Дыбыс қысымы (L <sub>PA</sub> )*	83 дБ(А), К=3	83 дБ(А), К=3
Дыбыс қуаттылығы (L <sub>WA</sub> )*	94 дБ(А), К=3	94 дБ(А), К=3
Діріл*	< 2,5 м/с <sup>2</sup> , К=1,5	< 2,5 м/с <sup>2</sup> , К=1,5

\* Дыбыс және діріл өлшемдері IEC62841-1 стандартына сәйкес келетін стандартталған сынаққа сәйкес өлшенеді.

- Діріл деңгейлерін басқа құралдармен салыстыру және әсердің бастапқы бағалауы үшін пайдалануға болады.

- Шығатын дыбыс және діріл орналасқан жеріңізге және осы құралдардың белгілі бір пайдалануына қарай әр түрлі болуы мүмкін.

- Дыбыс пен дірілдің күнделікті әсер деңгейлері әрбір қолдану түріне бағалануы және қажет болғанда тиісті қауіпсіздік шаралары қолға алынуы тиіс. Әсер деңгейлерін анықтаған кезде құрал өшіріліп, пайдаланылмайтын уақыт ескерілуі қажет. Бұл жалпы жұмыс кезеңінде әсер деңгейін едәуір азайтуы мүмкін.

### Жұмыс алдында тексеру

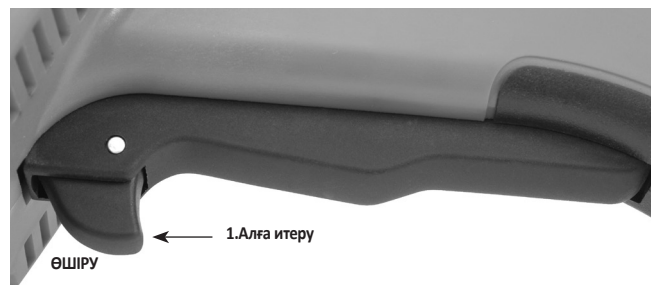
#### ⚠ ЕСКЕРТУ



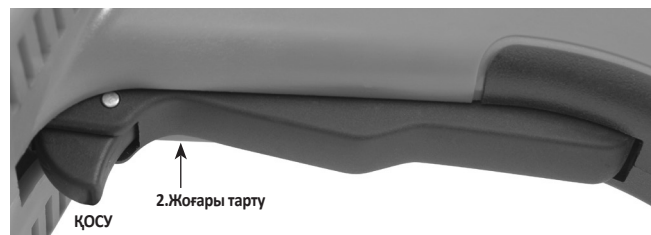
Электр тогының соғуынан болатын жарақаттар, сыну жарақаттары және басқа жағдайлар қаупін азайту үшін және қозғалтқыш жетегінің зақымдануына жол бермеу үшін әрбір пайдалану алдында қозғалтқыш жетегін тексеріңіз және қандай да бір ақауларды түзетіңіз.

1. Қозғалтқыш жетегі ажыратулы екеніне көз жеткізіңіз.
2. Қозғалтқыш жетегін және тірек құрылғыны, соның ішінде тұтқаларды және басқару тетіктерін қандай да бір майдан тазалаңыз. Бұл тексеруге көмектеседі және құрылғының немесе басқару тетігінің қысқыштан сырғып кетуіне жол бермейді.
3. Қозғалтқыш жетегін және тірек біліктерін келесі бойынша тексеріңіз:
  - Сымның және қосқыштың зақымдануы немесе модификациялануы.
  - Тиісті түрде жинақтау, техникалық қызмет көрсету және аяқтау.
  - Зақымданған, тураланбаған немесе қысылған бөлшектер.
  - Екі қадамдық рездік контактінің ҚОСУ/ӨШІРУ қосқышының дұрыс жұмыс істеуі (Сурет 5).
  - Тірек біліктің қысқыш тістері таза әрі жақсы жағдай. Тістерді сым щеткамен тазалауға болады.
  - Ескерту белгісінің бар болуы және оны оқу мүмкіндігі.
  - Қауіпсіз әрі қалыпты жұмысқа кедергі келтіретін кез келген басқа жағдай.

Егер қандай да бір мәселе табылса, құрылғы жөнделгенше қозғалтқыш жетегін немесе тірек құрылғысын пайдалануға болмайды.



5А суреті – Екі қадамдық лездік контакт ҚОСУ/ӨШІРУ қосқышы



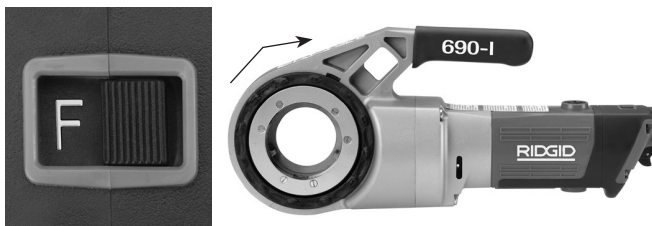
5В суреті – Екі қадамдық лездік контакт ҚОСУ/ӨШІРУ қосқышы

4. Кескіштердің кесу жиектерін тозу, майысу, кесектерінің болуы немесе басқа мәселелер бойынша тексеріңіз. Өтпейтін немесе зақымданған кескіш құралдар қажетті күш мөлшерін арттырады, нашар сапалы кесіктерді жасайды және жарақат қаупін арттырады.
5. Дұрыс жұмыс істейтініне көз жеткізу үшін басқа кез келген жабдықтың өз нұсқауларына сәйкес пайдаланылатынын тексеріңіз және ұстаңыз.
6. Орнату және іске қосу нұсқауларын орындай отырып, қозғалтқыш жетегінің дұрыс жұмыс істейтінін тексеріңіз.
  - А/К (Алға/Кері) қосқышын А позициясына жылжытыңыз. ҚОСУ/ӨШІРУ түймесін басып, жіберіңіз (Сурет 5). Қозғалтқыш жетегі сағат тіліне қарсы бағытпен айналатынын растаңыз (Сурет 6 қараңыз) және қосқышты босатқан кезде тоқтатыңыз.

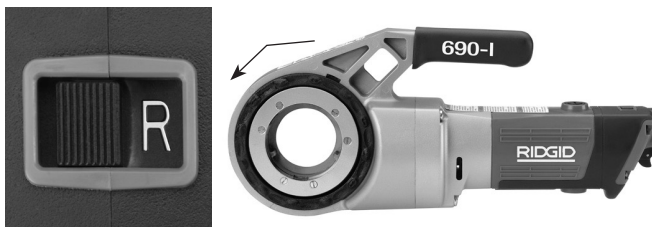
- Процесті КЕРІ (сағат тіліне қарсы) жұмыс үшін қайталаңыз. Егер қозғалтқыш жетегі дұрыс бағытта айналмаса немесе ҚОСУ/ӨШІРУ қосқышы құрылғы жұмысын бақыламаса, құрылғы жөнделмейінше оны пайдалануға болмайды.

**ЕСКЕРТПЕ** ҚОСУ/ӨШІРУ ауыстырып қосқышы босатылған кезде А/К жүгіртікінің позициясын өзгертіңіз. Бағытты А/К жүгіртікі қосқышымен бағытты кері ауыстыру алдында қозғалтқыш жетегіне тоқтатуды аяқтауға мүмкіндік беріңіз. Бұл қозғалтқыш жетегінің зақымы қаупін азайтады.

- ҚОСУ/ӨШІРУ қосқышын басып, жіберіңіз. Қозғалмалы бөлшектерде осінен ауытқушылық, қысылу, оғаш дыбыстар немесе басқа да қалыптыдан тыс жағдайлардың бар-жоқтығын тексеріңіз. ҚОСУ/ӨШІРУ қосқышын жіберіңіз. Егер қандай да бір қалыптыдан тыс жағдайлар табылса, құрылғы жөнделгенше оны пайдаланбаңыз.



6А суреті – F (АЛҒА) (Сағат тілі бойынша) қосу позициясы



6В суреті – К (КЕРІ) (Сағат тіліне қарсы) қосқыш позиция

7. ҚОСУ/ӨШІРУ қосқышын жіберіңіз және құрғақ қолмен құрылғыны суырыңыз.

## Орнату және іске қосу

### ⚠ ЕСКЕРТУ



Электр тогының соғуы, соқтығысу, сыну т.б. салдарынан болатын дене жарақаты қаупін азайту үшін және қозғалтқыш жетегі зақымына жол бермеу үшін осы процедураларға сәйкес қозғалтқыш жетегін орнатыңыз және іске қосыңыз.

Осы нұсқауларға сәйкес жарамды тіреу құрылғысын пайдаланыңыз. Тіреу құрылғылары басқаруды жақсартады және соққы, езу және/немесе басқа жарақат қаупін азайтады.

Берілген тірек білігінен басқа тірек құрылғыны пайдаланған жағдайда тірек құрылғы берілістер қорабы қартеріне немесе желдеткіш корпусына қарсы тұруы керек. Мотор корпусына немесе тұтқаға тиетін тірек құрылғылары бұл бөлшектерді зақымдауы немесе жарақат қаупін арттыруы мүмкін.

Тірек құрылғысын пайдалануды қоспағанда кесу күшіне қарсы тұру үшін тірек құрылғыны кесу немесе тіреу кезінде қозғалтқыш жетекті әрқашан қатты ұстап тұрыңыз. Бұл соқтығысу, сыну және басқа жарақаттар қаупін азайтады.

Қолғап немесе бос киімдер киюге болмайды. Жеңдеріңіз бен кеудешелеріңіздің түймесін салыңыз. Бос киім айналатын бөлшектерге ілініп, сыну және соқтығысу жарақаттарын тудыруы мүмкін.

Құбырды сәйкесінше тіреңіз. Бұл құбырдың құлауы, шалқаюы және ауыр дене жарақатын алу қаупін азайтады.

ҚОСУ/ӨШІРУ қосқышы және А/К жүгіртікі қосқышы дұрыс жұмыс істемесе, қозғалтқыш жетегін пайдаланбаңыз.

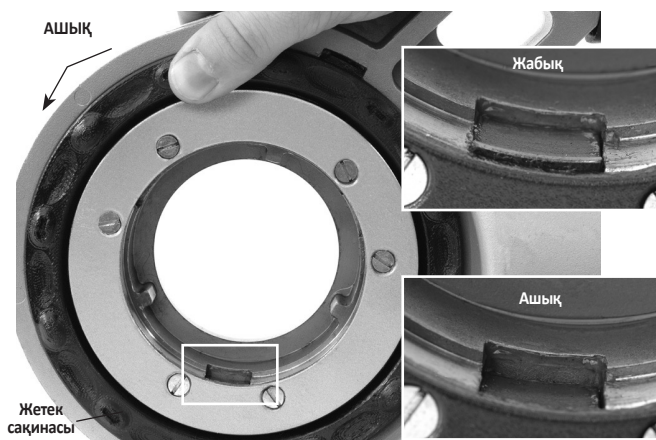
Бір адам жұмыс процесін де, ҚОСУ/ӨШІРУ қосқышын да бақылап отыруы керек. Бірден аса адам жұмыс істемейі керек. Іліну орын алған жағдайда оператор ҚОСУ/ӨШІРУ қосқышын басқара алуы керек.

1. Жұмыс алаңын тексеріңіз:
  - Сәйкес жарық болуы.
  - Өртке қауіпті сұйықтықтар, булар немесе шаң тұтануы мүмкін. Олар бар болған жағдайда көздер анықталып, жөнделмейінше жұмыс аймағында жұмыс істемейіңіз. Қозғалтқыш жетектері жарылысқа төзімді емес және ұшқындар шығаруы мүмкін.
  - Барлық жабдықтар мен оператор үшін таза, тегіс, тұрақты, құрғақ орын болуы керек.
  - Жақсы желдетілуі керек. Кішкентай, жабық орындарды ұзақ уақыт пайдалануға болмайды.
  - Тиісті кернеулі сәйкес сымды электр розетка. Күмәніңіз болса, розетканы лицензиялы электр маманына тексертіңіз.
  - Розеткаға дейін жолда қуат сымна ешқандай ықтимал зақым көзі болмауы керек.
2. Құбырдың кесілуін және тиісті фитингтерді тексеріңіз және таңдалған электр жабдығы бұл жұмыс үшін тиісті құрал екенін растаңыз. *Спецификацияларды қараңыз.* Бұрандаға тік қатардан басқа ештеңе пайдаланбаңыз.
 

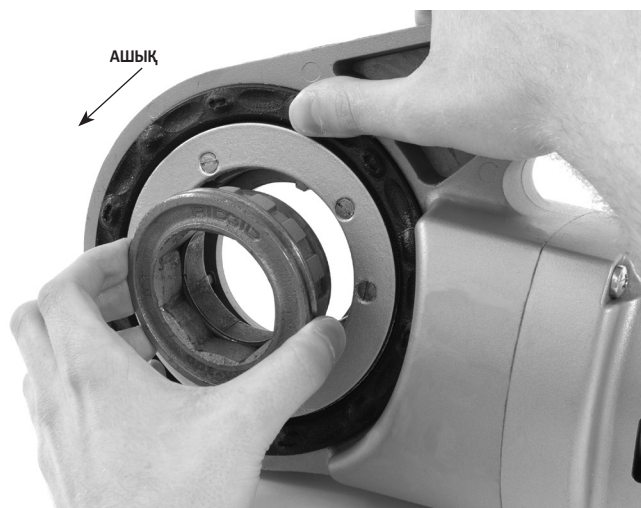
Басқа мақсаттарда пайдаланылатын жабдықты Ridge Tool каталогынан, RIDGID.com сайтынан онлайн түрде немесе АҚШ пен Канададағы Ridge Tool техникалық қызметіне (800) 519-3456 нөміріне қоңырау шалу арқылы табуға болады.
3. Пайдаланылатын жабдықтың тиісті түрде тексерілуіне көз жеткізіңіз.
4. Құбырды қажетінше сәйкес дайындаңыз. Құбырлардың тік кесіліп, қылаулардан арылғанын тексеріңіз. Құбырдың бұрыш жасай келісуі кесу кезінде кескіштерді зақымдауы немесе кескіш бастиекті қосу қиындығын тудыруы мүмкін.

## Кескіш бастиектерді орнату

5. 1½ дюйм немесе 2 дюйм кескіш бастиектерді немесе адаптерді 690-I құрылғысына орнату:
  - a. ҚОСУ/ӨШІРУ қосқышы босатылып, қозғалтқыш жетегінің суырылғанына көз жеткізіңіз.
  - b. Стопор механизмін ашу үшін қозғалтқыш жетегін сағат тіліне қарсы айналдырыңыз. Қосқыш бастиегін немесе адаптерді (қажет болса) ұшын қозғалтқыш жетегіне толығымен енгізіңіз (7-сурет).
  - c. Жетек сақинасын босатып, кескіш бастиек/адаптер қауіпсіз екенін растаңыз.
  - d. Алып тастау үшін кері процесті жүргізіңіз.



7-сурет – Стопор механизмi, Ашық/Жабық позициядағы жетек сақинасы



8-сурет – Адаптерді 690-I құрылғысына орнату

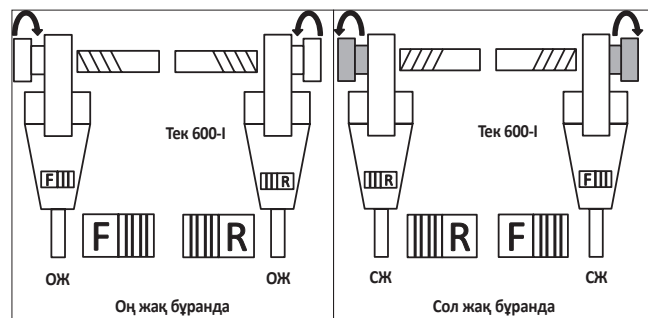
6. 1¼ дюйм және кішірек кескіш бастиектерді орнату:
  - a. ҚОСУ/ӨШІРУ қосқышы босатылып, қозғалтқыш жетегінің розеткадан суырылғанына көз жеткізіңіз.
  - b. Қажет болса, 690-I құрылғысына адаптерді орнатыңыз (Сурет 8).

- c. Серіппе сақинамен қатты бекіткенге дейін 11-R кескіш бастиектің сегіз бұрышты ұшын электр жабдығына толығымен енгізіңіз. 600-I құрылғысында кескіш бастиекті қозғалтқыш жетегінің екі жағына да енгізуге болады. 690-I құрылғысында кескіш бастиектерін адаптер жағынан енгізуге болады.
- d. Алып тастау үшін қозғалтқыш жетегінен кескіш бастиекті тартыңыз. Егер қажет болса, кескіш бастиекті жұмсақ бетті балғаны немесе тақтайшаны пайдаланыңыз. Кескіш бастиекті соғуға болмайды, бұл құралды зақымдауы мүмкін.



9-сурет – Кескіш бастиектерді 600-I қозғалтқыш жетегіне орнату

7. Қозғалтқыш жетегінің А/К жүгірткі қосқышын қажетті оң не сол жақ бұрандаға қойыңыз. 10-суретті қараңыз.



10-сурет – Жүгірткі қосқышы/Кескіш бастиек бағдары

8. Кесілетін құбыр тұрақты және пайдалану кезінде шалқаймайтындай етіп бекітілгеніне көз жеткізіңіз. Құбыр бөлігін тіреу үшін сәйкес құбыр тіректерін пайдаланыңыз.
9. RIDGID 418 майсауытындағы RIDGID бұранда кесу майының деңгейін тексеріңіз. Кесектер науасын алып тастап, сүзгі экраны таза және майға толығымен батырылғанын тексеріңіз. Қажет болған жағдайда майды ауыстырыңыз немесе қосыңыз. 418 майсауыт ыдысын кесілетін құбырдың астына қойыңыз.

## Кесу күшіне қарсы тұру

Берілетін тірек білігін пайдалану:

- Кеңістік немесе басқа жа кедергілерге байланысты пайдалануға жарамайтын жағдайларды қоспағанда берілген тірек білікті үнемі пайдаланыңыз (600-І, 691 үшін арналған 601 немесе 602 тірек білігі немесе 690-І үшін арналған 692 тірек білігі). Тірек білігі құбырды қысады және кесу күшіне қарсы тұруға көмектеседі.
- Тірек білігі құбырдың ұшына тұра келетін етіп және тірек білігі көлденең тұратын етіп, тірек білігін құбырға орналастырыңыз. (Сурет 11). Бұл тірек білігін кесу үшін тиісті түрде қояды және кесуге арналған майдың моторға құйылуына жол бермейді. (12-сурет).
- Тірек білігінің қысқыштары құбырмен мықты тураланғанын және тірек білігін мықты қысып тұратынын тексеріңіз.



**12-сурет – Қозғалтқыш жетектік тиісті бағдары**

Тірек білігі пайдаланылмайтын жағдайлар:

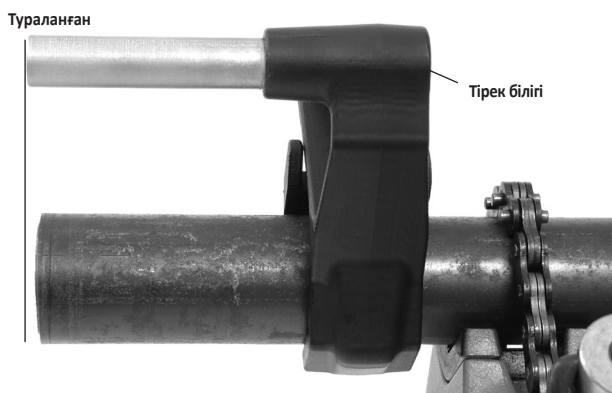
Құбырды орнына немесе ұқсас жабдықта кескенде кеңістіктегі кедергілерге байланысты тірек білігін пайдалану мүмкін болмайды.

- Мүмкін болса, құбырды және қысқыштағы бұранданы алып тастаңыз. Бұл мүмкін болмаса, басқа тірек құрылғылары кесу күшіне қарсы пайдаланылуы керек, мысалы, жетек механизмі немесе желдеткіш корпусы сәйкес құрылымдық элементке (мысалы, қабырғалар, томар, бөренелер) қарсы қойылуы керек. Бұл құбырдың және айналадағы нәрселердің құралдың салмағына және кесу күшіне төтеп беруін қажет етеді. Уақытша немесе тұрақты құбыр тіректерін немесе құрылымдық элементтерді қосу қажет болуы мүмкін.
- Оң жақ бұрандалар үшін кескіш бастиектер сағат тілі бойынша айналуы керек (кескіш бастиекке қарап тұрады). Кесудің айналдыру сәтімен туындаған күш қарама-қарсы немесе сағат тіліне қарсы бағытта болады. Айналдыру және күш сол жақ кескіш бастиектерге қарсы тұрады. Тірек құрылғы кесу күшін тиісінше сору үшін орнатылады.
- Кесу күшіне қарсы жетекті қозғалтқышты немесе тұтқаны сәйкес құрылымдық элементке қоймаңыз, бұл қозғалтқыш жетектің зақымдануына әкелуі мүмкін.
- Қозғалтқыш жетегін құрылымдық мүшеге қарсы ұстаңыз және саусақтарыңызды не қолдарыңызды қозғалтқыш жетегі мен құрылымдық элементтер арасына қоймаңыз. Кесу қалдықтарын сындырудан туындайтын күшке қарсы тұру үшін бұранданың кескіш бастиегін тіреген кезде қозғалтқыш жетегін қатты ұстаңыз. Бұл қадамдар соқтығысу, сыну және басқа жарақаттар қаупін азайтады. Қозғалтқыш жетегін өшіру үшін ҚОСУ/ӨШІРУ қосқышын кез келген уақытта босатуға болады.

Пайдаланылатын тіреуіш құрылғысына қарамастан, күштерге қарсы тұру үшін құбыр бұрандасын кесу немесе бастиекті шығару кезінде электр жетегін үнемі қатты ұстаңыз. Бұл соққы, езу және басқа жарақат қаупін азайтады. Электр жетегін өшіру үшін ҚОСУ/ӨШІРУ қосқышын кез келген уақытта босатуға болады.



**11А суреті – Тірек білігін орналастыру**



**11В суреті – Тірек білігін орналастыру**



## Кесу

10. Құрғақ олмен қозғалтқыш жетегін қосыңыз.
11. Кескіш бастиекті құбырдың үстіне қойып, қозғалтқыш жетегін Кесу күшіне қарсы тұру бөлімі.



13-сурет – Кесуді бастау

12. бөлімінде көрсетілгендей тіреңіз. Бір мезгілде ҚОСУ/ӨШІРУ қосқышын іске қосыңыз және тартқышты қосу үшін бос қолыңыздың алақанымен кескіш бастиек сыртқы бетін басыңыз. Сыртқы бетті басқан кезде қолғап кимеңіз, әшекей тақпаңыз немесе шүберек пайдаланбаңыз, бұл ілінісу және жарақат қаупін арттырады. Кескіш бастиек құбырға ілінген кезде ол тартқыштарды құбырдың ортасына қарай тартатындықтан, тартқыштар кесіледі.  
Тұтқа күшін қарсы тұру үшін қозғалтқыш жетегін қатты ұстаңыз. Тірек құрылғылар сырғанап, қозғалтқыш жетектерін жылжытуы мүмкін. Қозғалтқыш жетегін өшіру үшін ҚОСУ/ӨШІРУ қосқышын кез келген уақытта босатуға болады.
13. Сыртқы бетті итеруді тоқтатып, кесілетін жерге RIDGID бұранда жасау майын жақсылап жағу үшін майсауытты пайдаланыңыз. Бұл бұранда жасаудың айналдыру сәтін төмендетіп, бұранда сапасын жақсартады, бұранда жасасу бастиегінің пайдалану мерзімін арттырады.



14-сурет – Құбырды кесу

14. Құбырдың шеті бұранда жасау бастиегінің бетімен бірдей болғанда ҚОСУ/ӨШІРУ қосқышын басыңыз және қосқышты босатыңыз. Қозғалтқыш жетегін толығымен тоқтатыңыз.



15-сурет – Құбыр кескіш жиектерімен бір деңгейде

15. Кесілген құбырдан кескіш бастиекті алып тастау үшін А/К жүгірткі қосқышын кері жүргізіңіз және ҚОСУ/ӨШІРУ қосқышын іске қосыңыз. Кескіш бастиекті алып тастаған кезде тұтқа күшіне қарсы тұру үшін қозғалтқыш жетегін қатты ұстаңыз.

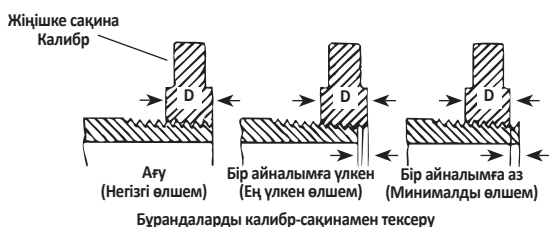
**ЕСКЕРТПЕ** ҚОСУ/ӨШІРУ ауыстырып қосқышы босатылған кезде А/К жүгірткінің позициясын өзгертіңіз. Бағытты А/К жүгірткі қосқышымен бағытты кері ауыстыру алдында қозғалтқыш жетегіне тоқтатуды аяқтауға мүмкіндік беріңіз. Бұл қозғалтқыш жетегінің зақымы қаупін азайтады.

16. Қосқышты босатып, қозғалтқыш жетекті және кескіш бастиекті құбырдан алып тастаңыз.
17. Құрғақ қолмен қозғалтқыш жетекті суырыңыз.
18. Өткір қалдықтар немесе жиектердің кесуінен сақтана отырып, бұрандадан және кескіш бастиектен майды және қалдықтарды сүртіп тастаңыз. Жұмыс аймағында төгілген майды сүртіңіз.

## Бұрандаларды тексеру

1. Бұрандадан қандай да бір майды, түйіршіктерді немесе қалдықтарды алып тастаңыз.
2. Бұрандаларды визуалды тексеріңіз. Бұрандалар тегіс әрі толық аяқталған және жақсы пішінді болуы керек. Егер бұрандалардың сынуы, жіңіше бұрандалар немесе дөңгелек емес құбырлар анықталса, бұранда жасалған кезде жабылмауы мүмкін. Мұндай мәселелерді анықтау үшін "Ақауларды жөндеу" кестесін қараңыз.
3. Бұранда өлшемін тексеріңіз. Бұранда өлшемін тексерудің дұрыс әдісі калибр-сақина пайдалану болып табылады. Калибр-сақиналар әр түрлі болады және оларды пайдалану 16-суреттен өзгеше болуы мүмкін.
  - Калибр-сақинаны бұранда тұтқасына қатты бұраңыз.

- Құбыр ұшы калибр-сақинадан қаншалықты ұзын екенін қараңыз. Құбыр шеті сақинаның шетінен бір айналым көп не аз болуы керек. Егер бұранда дұрыс өлшенбесе, оны кесіп, кескіш бастиекті реттеп, басқа бұранданы кесіңіз. Дұрыс өлшенбеген бұранданы пайдалану жылыстауға әкелуі мүмкін.



16-сурет – Бұранда өлшемін тексеру

- Егер калибр-сақина бұранда өлшемін тексеру үшін қолжетімді болмаса, бұранда өлшемін тексеру үшін пайдаланылған жаңа таза сәйкестендіргішті пайдалануға болады. 2 дюймдік және одан кіші NPT бұрандалары, бұрандалар фитингпен қатты ұстасу үшін 4 - 5 айналымға қол жеткізу үшін кесілуі керек, ал 2 дюймдік және одан кіші BSPT бұрандалары үшін 3 айналым болуы керек.

## Техникалық қызмет көрсету нұсқаулары

### ⚠ ЕСКЕРТУ

Қандай да бір техникалық қызмет көрсетпес бұрын немесе қандай да бір реттеу жасамас бұрын ҚОСУ/ӨШІРУ қосқышы босатылғанын және құрылғының суырылғанын тексеріңіз.

Электр тогының соғуы, іліну және басқа да жағдайлардан болатын жарақаттар қаупін азайту үшін құралды осы процедураларға сәйкес ұстаңыз.

### Тазалау

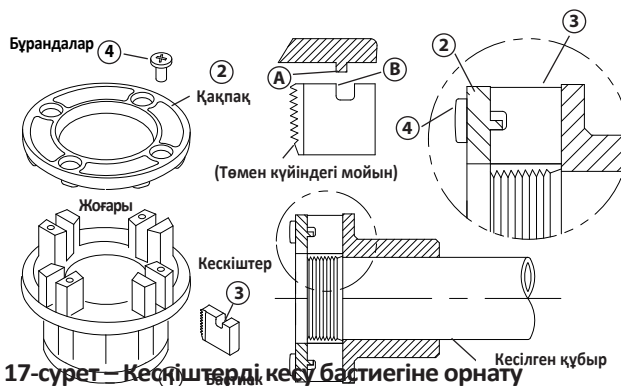
1. Әр пайдаланған сайын кесілген кесектерді 418 май сауытының кесек науасынан алып тастап, қалдық майды сүртіп алыңыз.
2. Қозғалтқыш жетегінен, соның ішінде тұтқалар және басқару тетіктерінен қандай да бір майды, кесектерді немесе ласты сүртіп алыңыз. 690-I стопор механизмін тазалаңыз.
3. Тірек білігінен майларды немесе ласты сүртіп алыңыз. Қажет болса, тірек білігін сымды щеткамен тазалаңыз.
4. Кесектер мен ласты кескіш бастиектен алып тастаңыз.

### 11-R кескіш бастиектеріндегі кескіштерді өзгерту

Түрлі кескіштер RIDGID 11-R кескіш бастиектерде орнату үшін қол жетімді болады. Қолжетімділігін білу үшін каталогты қараңыз.

1. Төрт болтты (4) жабыннан (2) және сыртқы бетті алып тастаңыз.

2. Ескі кескіштерді (3) кескіш бастиектен алып тастаңыз.
3. Жаңа кескіштерді саңылауларға нөмірленген жиектерін жоғары қаратып енгізіңіз. Кескіштердегі нөмірлер кескіш бастиектері саңылауларындағы нөмірлермен сәйкес келуі керек. Кескіштерді жиынтық ретінде ауыстырыңыз.



17-сурет – Кескіштерді кесу бастиегіне орнату

4. Сыртқы бетті ауыстырып, төрт болтты аздап қатайтыңыз.
5. Кескіштер кесе бастағанға дейін әлдеқашан өңделген құбырға кескіш бастиекті қойыңыз. Бұл күштер сыртқы бетте (4) кронштейнге қарсы сыртқа қарай (4) тоқтайды және өлшемді сәйкесінше орнатады.
6. Төрт болтты мықты қатайтыңыз. Кесілген құбырды алып тастап, сынақ кесіп көріңіз.

### Мотордағы щеткаларды ауыстыру

Мотор щеткаларын 6 ай сайын тексеріп тұрыңыз. Ескіргенде 3/8 дюймнан (8 мм-ден) аз түріне ауыстырыңыз.



18-сурет – Щетканы орнату

1. Құрылғыны қуат көзінен суырыңыз.
2. Щетка қақпағын босату (1-ші және 2-ші сурет). Щеткаларды алып тастап, оларды тексеріңіз. Ескіргенде 3/8 дюймнан (8 мм-ден) аз түріне ауыстырыңыз. Коммутатордың ескіргенін тексеріңіз. Егер шамадан тыс ескірсе, құралға техникалық қызмет көрсету керек.

- Щеткаларды қайта орнатыңыз/жаңа щеткаларды орнатыңыз және щетка қақпағын мықты қатайтыңыз.
- Пайдаланбас бұрын коммутаторға щеткаларды орнату үшін құрылғыны бос жүріспен 15 минутқа алға бағыттап, 15 минут кері бағытта қосқан жөн.

## Керек-жарақтар

### ⚠ ЕСКЕРТУ

Ауыр жарақаттар қауіпін азайту үшін тек қана 600-I және 690-I қозғалтқыш жетектерімен пайдалануға арнайы жасалған әрі ұсынылатын төмендегі керек-жарақтарды пайдаланыңыз. Басқа құралдармен пайдалануға үйлесімді басқа да бұйымдардың 600-I және 690-I қозғалтқыш жетектерімен пайдаланылған кезде қауіпті болуы мүмкін.

### 600-I және 690-I қозғалтқыш жетегі керек-жарақтары

Каталог нөмірі	Сипаттама
45923	602 Тірек білігі
45928	692 Тірек білігі
46668	600-I Тасымалдау корпусы
46673	690-I Тасымалдау корпусы
10883	418 1 галлон Nu-Clear майы бар май сауыты
16703	425 ½ - 2½ дюйм TRISTAND қысқышы
36273	460-6 ½ - 6 дюйм TRISTAND қысқышы
45543	115 В щеткалары
45588	230 В щеткалары

Құралмен үйлесімді бұйымдар туралы қосымша ақпаратты RIDGID каталогынан және интернетте RIDGID.com сайтынан табуға болады.

## Құрылғыны сақтау

**⚠ ЕСКЕРТУ** Қозғалтқыш жетектерін ылғалды ауа райында ғимарат ішінде немесе жақсы жабылған күйде сақтау қажет. Құрылғыны балалардың немесе құрылғылармен таныс емес адамдардың қолы жетпейтін құлыпталған аймақта сақтаңыз. Бұл құрылғылар тәжірибесіз пайдаланушылардың қолында болса, ауыр жарақаттарға әкелуі мүмкін.

## Қызмет және жөндеу

### ⚠ ЕСКЕРТУ

Қате қызмет көрсетудің немесе жөндеудің құрылғының қауіпсіз жұмыс істеуіне әкелуі мүмкін.

«Техникалық қызмет көрсету бойынша нұсқау» осы құрылғының көптеген қызметтік қажеттіліктерін қанағаттандырады. Осы бөлімде көрсетілмеген қандай да бір мәселелерді RIDGID өкілетті қызмет көрсету маманы ғана орындауы қажет.

Құралды RIDGID өкілетті тәуелсіз қызмет көрсету орталығына апару немесе зауытқа қайтару қажет. Тек RIDGID қызмет бөлшектерін пайдаланыңыз.

Ең жақын RIDGID өкілетті тәуелсіз қызмет көрсету орталығы немесе кез келген қызмет не жөндеу сұрақтары бойынша ақпарат алу үшін:

- Жергілікті RIDGID дистрибьюторына хабарласыңыз.
- Жергілікті RIDGID хабарласу орындарын табу үшін RIDGID.com сайтына қараңыз.
- Ridge құралдарына техникалық қызмет көрсету бөліміне [rttechservices@emerson.com](mailto:rttechservices@emerson.com) мекенжайына жазу арқылы немесе АҚШ және Канадада (800) 519-3456 нөміріне қоңырау шалу арқылы хабарласыңыз.

## Кесуге арналған май

RIDGID® бұранда кесуге арналған майын пайдалануға және күтім көрсетуге қатысты ақпарат алу үшін контейнердегі жапсырмаларды және материалдың қауіпсіздік паспортын (MSDS) қараңыз. MSDS паспорты RIDGID.com сайтында қол жетімді немесе АҚШ-та және Канадада (800) 519-3456 нөмірі немесе [rttechservices@emerson.com](mailto:rttechservices@emerson.com) поштасы арқылы Ridge құралының техникалық қызмет көрсету орталығына хабарласып алуға болады.

## Тастау

Қозғалтқыш жетегінің бөліктерінде құнды материалдар бар және қайта өңдеуге жарамды. Қайта өңдеу компанияларын жергілікті жерден табуға болады. Компоненттерді барлық сәйкес ережелерге сәйкес тастаңыз. Қосымша ақпарат алу үшін жергілікті қалдықтарды өңдеу өкілетті орнына хабарласыңыз.



**ЕО елдері үшін:** Электр жабдықтарын тұрмыстық қалдықпен бірге тастамаңыз!

Еуропа елдерінің 2012/19/ - ЕО Қалдық электр және электрондық жабдық бойынша нұсқаулығына және оның ұлттық заңдарға ендірілуіне сәйкес, бұдан әрі пайдаланылмайтын электр жабдығы жеке жиналып, қоршаған ортаға зиян келтірмейтіндей тасталуы керек.

## Ақауларды жөндеу

БЕЛГІ	ЫҚТИМАЛ СЕБЕПТЕР	ШЕШІМ
Құрылғы іске қосылмайды.	Щеткалар арматураға тимейді.	Щеткаларлы тексеріп, ескірсе, ауыстырыңыз.
Құрылғы кесе алмайды.	Кескіш өткір емес. Тозғандықтан және дөңгелек бұрандалардың болмауы себебінен артық күш түсу. Сапасы төмен немесе бұрандаларды майлайтын сұйықтықтың жеткіліксіздігі. Желілік қысым жеткіліксіз.	Кескішті ауыстырыңыз. Төменде ықтимал себептерін қараңыз.  RIDGID® бұранданы кесуге арналған майды қажетті мөлшерде пайдаланыңыз. Электр қысымын тексеріңіз.
Мотор коммутаторында пайда болатын ұшқындар.	Щеткалар мен коммутатор арасындағы жеткіліксіз байланыс. Щеткалар коммутаторға дұрыс тимей тұр.  Түрлі өндірушілердің щеткалары. Жаңа щеткалар.	Щеткалардың коммутаторға мықты бекітілгеніне көз жеткізу үшін щетка қақпақтарын бекітіңіз. Ескі щеткаларды немесе арматураны ауыстырыңыз. Тек RIDGID® щеткаларын пайдаланыңыз. Бөлікті 15 минутқа жұмыссыз күйге іске қосу арқылы тіке не кері бағытта щеткаларды орнатыңыз.
Кескіш бастиек бұранда кесуді іске қоспайды.	Кескіш бастиек құбырдың шеткі бөлігімен байланыспайды. Қосу күші кескіш бастиекке дұрыс қолданылмаған. Құбырдың шеткі бөлігі түзу етіп кесілмеген. Өтпейтін немесе сынған кескіштер. Құрылғы бұрыс бағытта жүруде.  Кескіштер кескіш бастиекте дұрыс орнатылмаған.	Бұранда кесуді іске қосу үшін кескіш бастиекті сыртқы бетіне қарай итеріңіз. Қосу күшін құбырдың ортаңғы жолы арқылы қолданыңыз. Құбырдың шеткі бөлігін түзу етіп кесіңіз. Кескішті ауыстырыңыз. А/К слайд-ауыстырғышының орналасуын тексеріңіз. Бұранда кескіштердің сыртқы беткі ұшына сыртқа қаратылып орнатылғанына көз жеткізіңіз.
Ескі бұрандалар.	Зақымданған, сынған және ескі бастиек. Сәйкес емес немесе жеткіліксіз бұранданы кесу майы. Материалға арналған бастиектің түрі сәйкес емес.  Құбыр материалы/сапасы нашар.	Кескішті ауыстырыңыз. RIDGID® бұранданы кесуге арналған майын ғана қажетті мөлшерде пайдаланыңыз. Жылдамдығы жоғары, тот баспайтын темірді таңдаңыз немесе қолданбаға сәйкес бастиекті жұмсартыңыз. Жоғары сапалы құбырды пайдаланыңыз.
Дөңгелек не сынған бұрандалар жоқ.	Құбыр қабырғасының қалыңдығы тым жұқа.	40-кестені немесе ауырырақ қабырға қалыңдығын пайдаланыңыз.
Бұранданы кесу кезінде құрылғының жоңғыш жоңқаларын ұстап тұрыңыз.	Ұстап тұратын тұтқа қысқыштары лас. Ұстап тұратын тұтқа дұрыс тураланбаған.  Ұстап тұратын тұтқасы мықтап бекітілмеген.	Сымды щеткамен тазалаңыз. Ұстап тұратын тұтқасын тікелей құбырмен туралаңыз. Қозғалғыш бұранданы бекітіңіз.
Жіңішке бұрандалар.	Бастиек дұрыс ретпен орналастырылмаған.	Бастиекті дұрыс ретпен бастиек кескішінің ұясына орналастырыңыз.

## RIDGID® 600-I/690-I Power Drives

RIDGE TOOL COMPANY  
400 Clark Street  
Elyria, Ohio 44035-6001  
U.S.A.

Ridge Tool Europe NV (RIDGID)  
Ondernemerslaan 5428  
3800 Sint-Truiden  
Belgium

### EC DECLARATION OF CONFORMITY

We declare that the machines listed above, when used in accordance with the operator's manual, meet the relevant requirements of the Directives and Standards listed below.

### DÉCLARATION DE CONFORMITÉ CE

Nous déclarons que lorsqu'elles sont utilisées selon leur mode d'emploi, les machines indiquées ci-dessus répondent aux exigences applicables des directives et normes ci-après.

### DECLARACIÓN DE CONFORMIDAD DE LA CE

Declaramos que las máquinas listadas más arriba, cuando se usan conforme al manual del operario, cumplen con los requisitos pertinentes de las directrices y normas listadas a continuación.

### PROHLÁŠENÍ O SHODĚ ES

Prohlašujeme, že výše uvedené nástroje a zařízení splňují při použití v souladu s jejich návodem k obsluze příslušné požadavky níže uvedených směrnic a nařízení.

### EF-OVERENSSTEMMELSESESKLÆRING

Vi erklærer, at de ovenfor anførte maskiner, ved brug i overensstemmelse med brugervejledningen, opfylder de relevante krav i de nedenfor anførte direktiver og standarder.

### EG KONFORMITÄTSESKLÄRUNG

Wir erklären, dass die oben aufgeführten Maschinen, wenn sie entsprechend der Bedienungsanleitung verwendet werden, die einschlägigen Anforderungen der folgenden Richtlinien und Normen erfüllen.

### ΔΗΛΩΣΗ ΣΥΜΜΟΡΦΩΣΗΣ ΕΚ

Δηλώνουμε ότι τα μηχανήματα που αναφέρονται παραπάνω, όταν χρησιμοποιούνται σύμφωνα με το εγχειρίδιο χειρισμού, πληρούν τις σχετικές απαιτήσεις των παρακάτω Οδηγιών και Προτύπων.

### EY-VAATIMUSTENMUKAISUUSVAKUUTUS

Vakuutamme, että edellä luetellut koneet täyttävät käyttöohjekirjan mukaisesti käytettynä seuraavien direktiivien ja standardien vaatimukset.

### EU IZJAVA O SUKLADNOSTI

Izjavljujemo da su gore navedeni strojevi, kada se koriste u skladu s priručnikom za korisnike, sukladni s relevantnim zahtjevima dolje navedenih direktiva i standarda.

### EK MEGFELELŐSÉGI NYILATKOZAT

Kijelentjük, hogy a fent felsorolt gépek - amennyiben a kezelési útmutatónak megfelelően használják őket - megfelelnek az alább felsorolt irányelvek és Szabványok követelményeinek.

### DICHIARAZIONE DI CONFORMITÀ CE

Dichiariamo che le macchine elencate in alto, se utilizzate in conformità con il manuale dell'operatore, soddisfano i relativi requisiti delle Direttive e degli Standard specificati di seguito.

### EO СӘЙКЕСТІК МӘЛІМДЕМЕСІ

Біз жоғарыда көрсетілген құрылғылардың пайдаланушы нұсқаулығына сәйкес пайдаланылған жағдайда төменде көрсетілген Директивалар мен Стандарттардың тиісті талаптарына жауап беретінін мәлімдейміз.

### EG-CONFORMITEITSVERKLARING

Hierbij verklaren wij dat de hierboven vermelde machines, mits gebruikt in overeenstemming met de handleiding, voldoen aan de relevante eisen van de hieronder vermelde richtlijnen en normen.

### CE-SAMSVARERKLÆRING

Vi erklærer at maskinene oppført over oppfyller de relevante kravene i direktiver og standarder oppført under dersom de brukes i henhold til bruksanvisningen.



2006/42/EC, 2014/35/EU, 2014/30/EU, EU/2015/863  
IEC 62841-1/-2-9, EN 55014-1/-2, EN 61000-3-2/-3-3



5010237  
Conforms to UL 62841-1/UL 62841-2-9  
Certified to CSA C22.2#62841-1/CSA C22.2#62841-2-9

### DEKLARACJA ZGODNOŚCI WE

Deklarujemy, że maszyny wymienione powyżej, gdy są używane zgodnie z podręcznikiem użytkownika, spełniają właściwe wymagania Dyrektyw i Standardów, wymienione poniżej.

### DECLARAÇÃO DE CONFORMIDADE CE

Declaramos que as máquinas listadas acima, quando utilizadas de acordo com o manual do operador, cumprem os requisitos relevantes das Diretivas e Normas listadas abaixo.

### DECLARAȚIE DE CONFORMITATE CE

Declărăm că mașina specificată mai jos, atunci când este utilizată în conformitate cu manualul de exploatare, îndeplinește cerințele relevante ale Directivelor și standardelor specificate mai jos.

### ДЕКЛАРАЦИЯ СООТВЕТСТВИЯ ЕС

Мы заявляем, что инструменты, перечисленные выше, при условии использования согласно руководству по эксплуатации, отвечают соответствующим требованиям указанных ниже директив и стандартов.

### ES PREHLÁŠENIE O ZHODE

Vyhlasujeme, že stroje uvedené vyššie spĺňajú relevantné požiadavky smerníc a noriem uvedených nižšie, ak sa používajú podľa návodu na použitie.

### IZJAVA ES O SKLADNOSTI

Izjavljamo, da zgoraj omenjeni stroji, ko se uporabljajo skladno z uporabniškim priručnikom, izpolnjujejo relevantne zahteve spodaj omenjenih direktiv in standardov.

### EC DEKLARACIJA O USAGLAŠENOSTI

Izjavljujemo da gore navedeni strojevi, ako se koriste u skladu s priručnikom za korisnike, zadovoljavaju relevantne zahteve direktiva i standarda koji se navode dole.

### EG-FÖRSÄKRAN OM ÖVERENSSTÄMMELSE

Vi meddelar att maskinen som anges ovan uppfyller de aktuella kraven i de angivna direktiven och standarderna nedan när den används enligt bruksanvisningen.

### AB UYGUNLUK BEYANI

Yukarıda listelenen makinelerin, kullanıcı kılavuzuna göre kullanıldığında, aşağıda listelenen Direktiflerin ve Standartların ilgili gereksinimlerini karşıladığını beyan ederiz.

### EÜ VASTAVUSDEKLARATSIOON

Kinnitame, et eelpool loetletud masinad vastavad allpool loetletud direktiivide ja standardite asjakohastele nõuetele, kui neid kasutatakse vastavalt kasutusjuhendile.

### EK ATBILSTĪBAS DEKLARĀCIJA

Mēs apliecinām, ka iepriekšminētās iekārtas, izmantojot tās saskaņā ar operatora rokasgrāmatu, atbilst attiecīgajām tālāk norādīto direktīvu un standartu prasībām.

### DEARBHÚ COMHRÉIREACHTA AN CE

Fógraímid go bhfuil na hinnill sa liosta thuas i gcomhréir le riachtanais ábhartha na dTeoracha agus na gCaighdeán sa liosta thíos, ach iad a úsáid de réir an lámhleabhair don oibreoir.

### EB ATITIKTIES DEKLARACIJA

Deklaruojame, kad pirmiau išvardytos mašinos, jei naudojamos pagal naudotojo vadovą, atitinka atitinkamus toliau išvardytą direktivų ir standartų reikalavimus.

### EO ДЕКЛАРАЦИЯ ЗА СЪОТВЕТСТВИЕ

Декларираме, че изброените по-горе машини, когато се използват в съответствие с Ръководство за оператора, отговарят на съответните изисквания на директивите и стандартите, изброени по-долу.



Signature: *Kron dorfer*  
Name: Harald Krondorfer  
Qualification: V.P. Engineering  
Date: 04/01/2020



FULL LIFETIME WARRANTY (garantie légale étendue à la durée de vie du produit,  
voir conditions de garantie / legal warranty extended to the product lifecycle,  
see warranty conditions)

**For Warranty Information for your World Region  
visit [RIDGID.com](http://RIDGID.com)**

**Ridge Tool Europe N.V. (RIDGID)**

Ondernemerslaan 5428  
3800 Sint-Truiden  
Belgium  
Tel.: +32 (0)11 598 620  
[RIDGID.com](http://RIDGID.com)

© 2013, 2020, RIDGID, Inc.

The Emerson logo and RIDGID logo are registered trademarks of Emerson Electric Co. or RIDGID, Inc. in the U.S. and other countries.  
All other trademarks belong to their respective holders.

999-999-476.09  
REV. F

Printed 06/20  
EC44604

**RIDGID**<sup>®</sup>

  
**EMERSON**<sup>™</sup>