



Connect Air

A7021.. A7024.. A7053.. A7055..

Ideal Standard

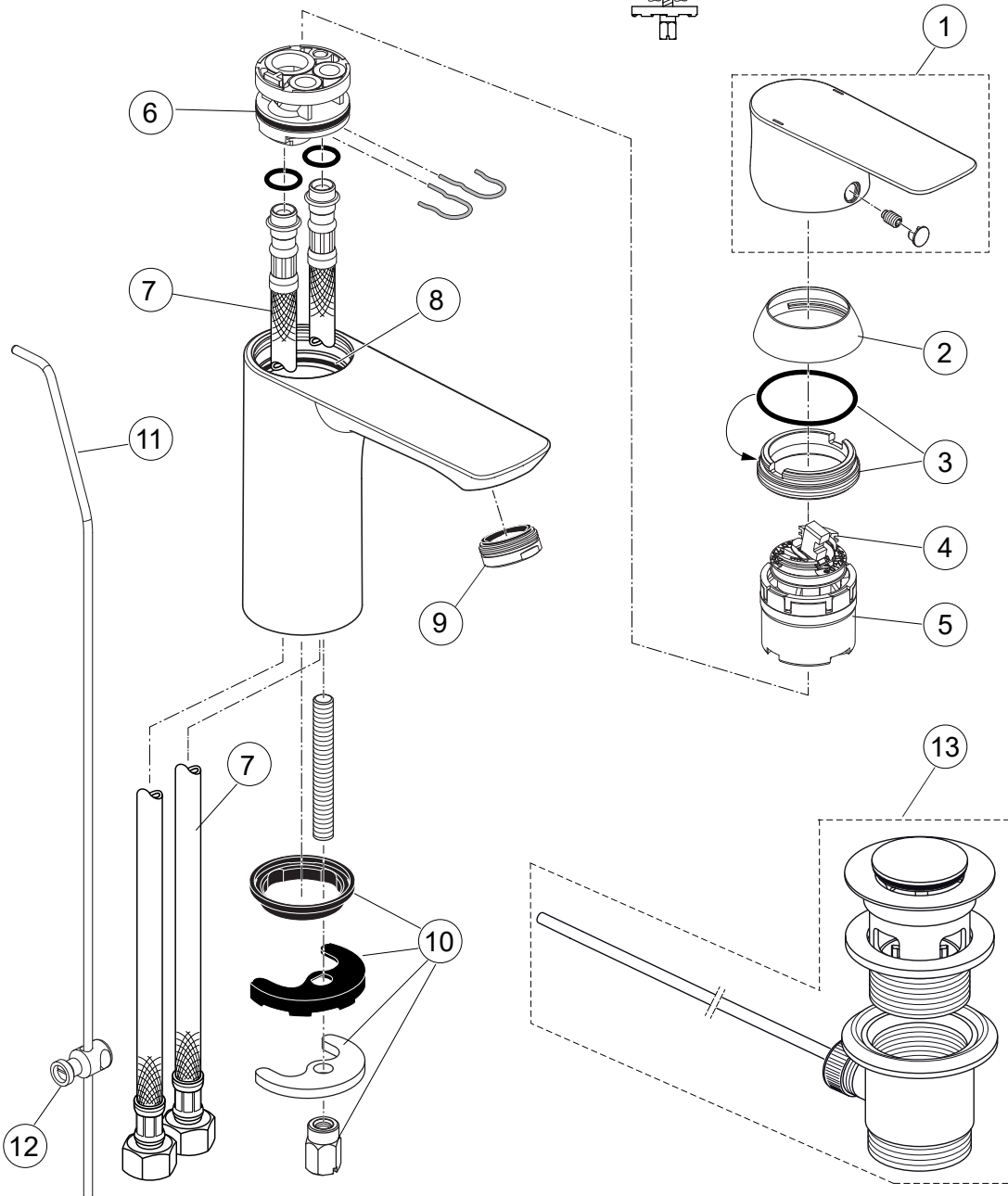
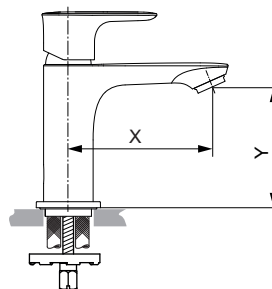
Produced since: **Feb. 2021**

SL basin mixer flex. hose
X = 112mm Y = 100 mm
with pop-up waste
chrome **A7021AA**

SL basin mixer flex. hose
X = 125mm Y = 120 mm
with pop-up waste
chrome **A7053AA**

without pop-up waste
chrome **A7024AA**

without pop-up waste
chrome **A7055AA**



Replace XX with the appropriate finish code

Chrome = AA Silver Storm = GN Gold = A2 Magnetic Grey = A5

Example spare part order:

A 861 405 AA in Chrome

Pos.	Description	Part-Number	Qty.	Pos.	Description	Part-Number	Qty.
1	Lever cpl.	A 861 405 XX	1 Set	11	Lift rod cpl. + Pos. 12	B 960 900 XX	1 Set
2	Cover cap	B 961 373 XX	1 pcs	12	Bracket	A 961 172 NU	1 pcs
3	Thread ring + O-Ring + Key	B 961 374 NU	1 pcs	13	Pop-up waste complete	A 961 230 XX	1 Set
4	Hot limit stop	A 861 181 NU	1 pcs				
5	Cartridge Ø38 + Pos.13,+ Key	A 861 156 NU*	1 Set				
6	O - Ring Ø 34 x 2	A 960 183 NU	2 pcs				
7	Flex. hose Ø10,5-G3/8-445	A 962 359 NU	1 pcs				
8	O - Ring Ø 38 x 2,5	E 960 059 NU*	1 Set				
9	Aerator M24x1 - 5ltr/min	B 961 383 XX	1 pcs				
10	Fixation kit	A 964 520 NU*	1 Set				

*Universal set (not all parts needed)

Connect Air



Connect Air

A7021.. A7024.. A7053.. A7055..

Ideal Standard

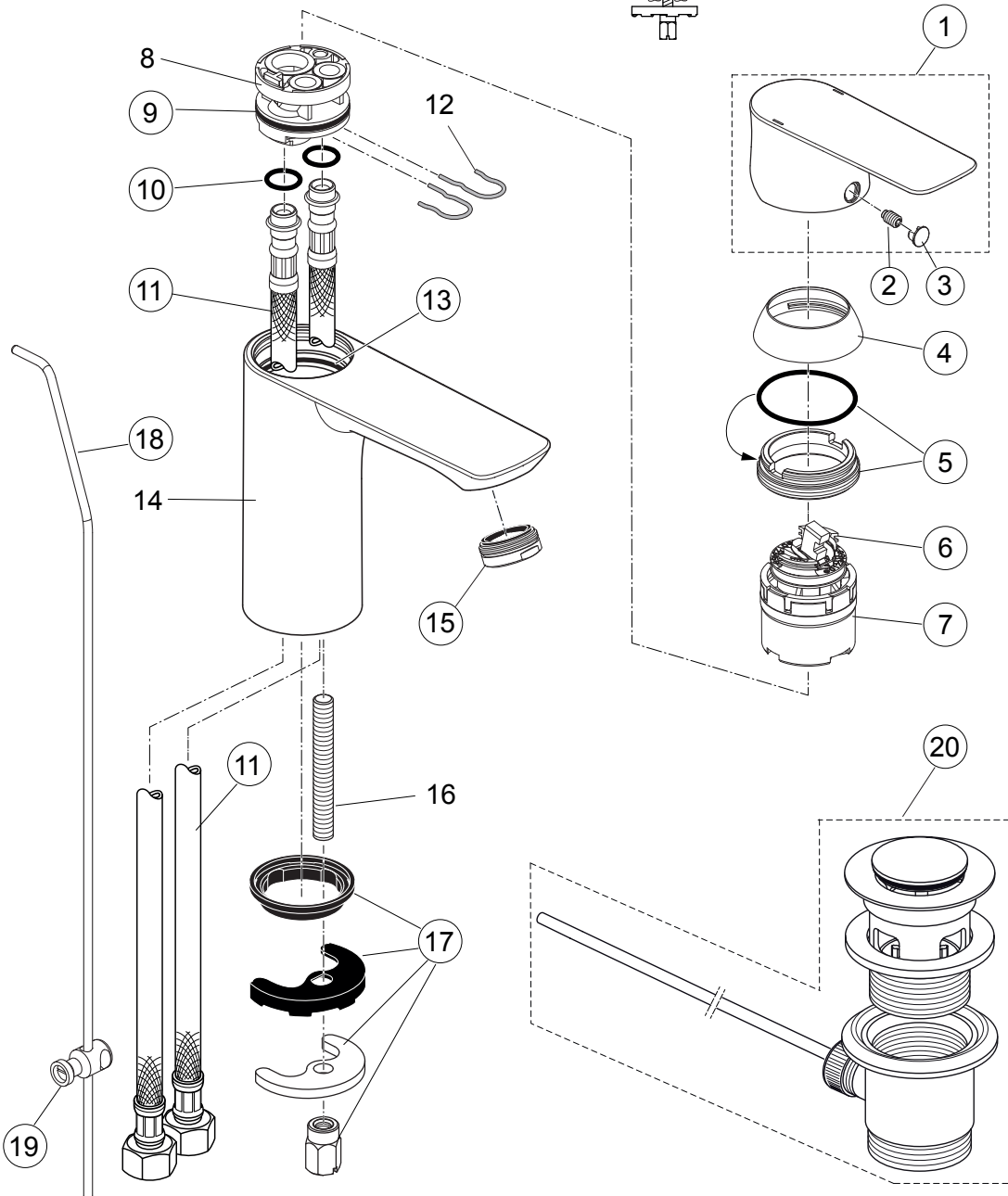
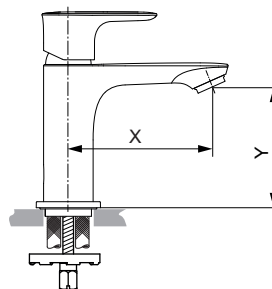
Produced since: **Nov. 2019 - Feb. 2021**

SL basin mixer flex. hose
X = 112mm Y = 100 mm
with pop-up waste
chrome **A7021AA**

SL basin mixer flex. hose
X = 125mm Y = 120 mm
with pop-up waste
chrome **A7053AA**

without pop-up waste
chrome **A7024AA**

without pop-up waste
chrome **A7055AA**



Replace XX with the appropriate finish code

Chrome = AA Silver Storm = GN Gold = A2 Magnetic Grey = A5

Example spare part order:

A 861 405 AA in Chrome

Pos.	Description	Part-Number	Qty.	Pos.	Description	Part-Number	Qty.
1	Lever cpl.	A 861 405 XX	1 Set	12	Clip	E 960 059 NU*	1 Set
2	Thread pin M5x5 DIN916	A 963 309 NU*	1 Set	13	O - Ring Ø 38 x 2,5	E 960 059 NU*	1 Set
3	Handle plug	A 861 406 NU*	1 Set	14	Body	B 961 383 XX	1 pcs
4	Cover cap	B 961 373 XX	1 pcs	15	Aerator M24x1 - 5ltr/min	B 961 383 XX	1 pcs
5	Thread ring + O-Ring + Key	B 961 374 NU	1 pcs	16	Bolt M8x63	A 964 520 NU*	1 Set
6	Hot limit stop	A 861 181 NU	1 pcs	17	Fixation kit	A 964 520 NU*	1 Set
7	Cartridge Ø38 + Pos.13,+ Key	A 861 156 NU*	1 Set	18	Lift rod cpl. + Pos. 19	B 960 900 XX	1 Set
8	Manifold			19	Bracket	A 961 172 NU	1 pcs
9	O - Ring Ø 34 x 2	A 960 183 NU	2 pcs	20	Pop-up waste complete	A 961 230 XX	1 Set
10	O - Ring Ø 9,5 x 2,5	F 961 122 NU	3 pcs				
11	Flex. hose Ø10,5-G3/8-445	A 962 359 NU	1 pcs				

*Universal set (not all parts needed)

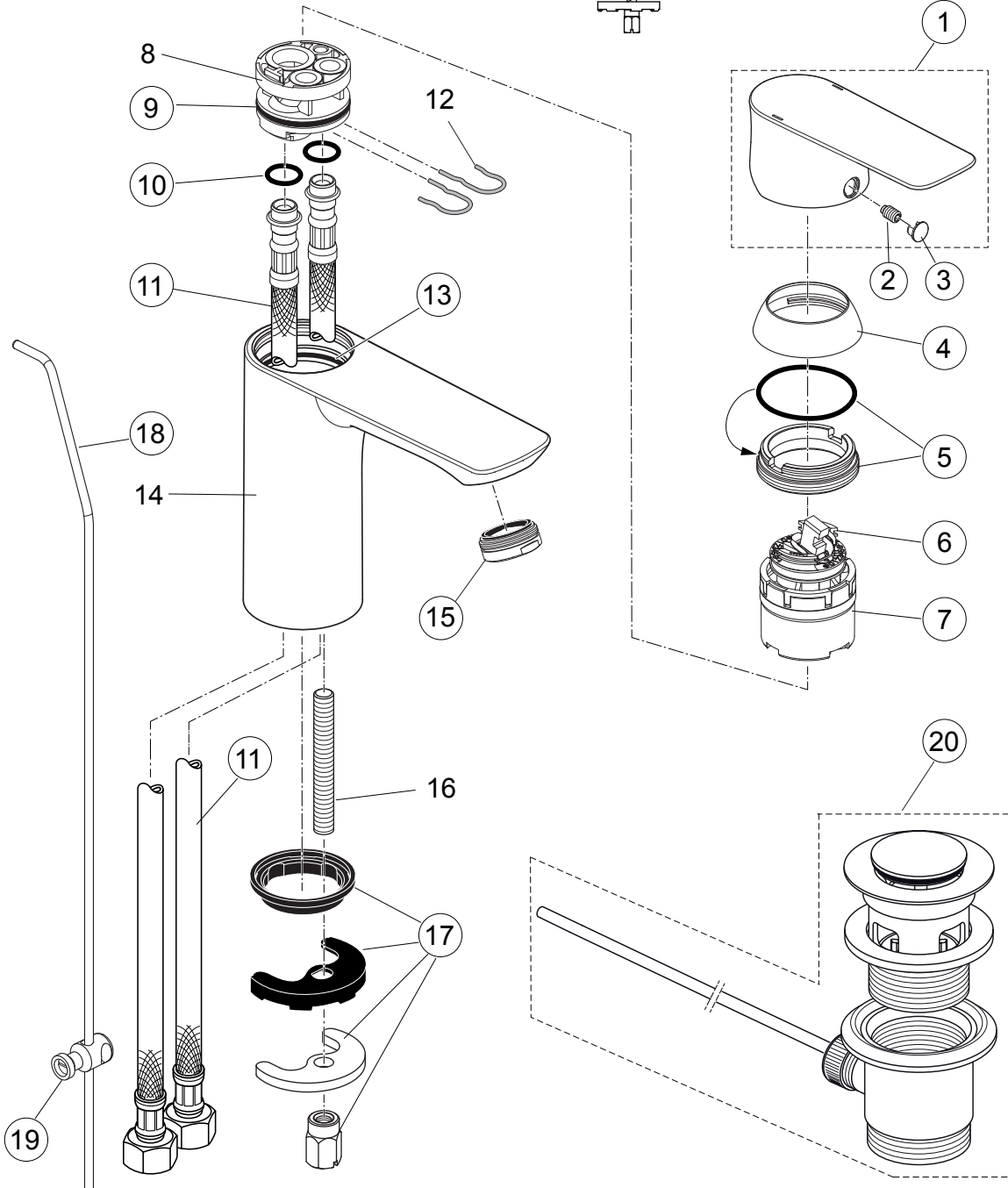
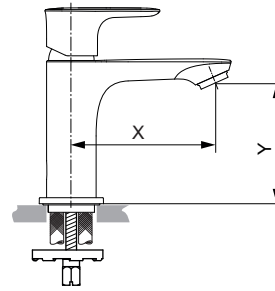
Produced since: **Aug.2017 - Oct.2019**

SL basin mixer flex. hose
X = 112mm Y = 100 mm
with pop-up waste
chrome **A7021AA**

SL basin mixer flex. hose
X = 125mm Y = 120 mm
with pop-up waste
chrome **A7053AA**

without pop-up waste
chrome **A7024AA**

without pop-up waste
chrome **A7055AA**



Pos.	Description	Part-Number	Qty.	Pos.	Description	Part-Number	Qty.
1	Lever cpl. w. Logo ISI	A 861 230 AA	1 Set	12	Clip	E 960 059 NU*	1 Set
2	Thread pin M5x5 DIN916	A 963 309 NU*	1 Set	13	O - Ring Ø 38 x 2,5	E 960 059 NU*	1 Set
3	Handle plug	B 960 473 AA	1 Set	14	Body		
4	Cover cap	B 961 373 AA	1 pcs	15	Aerator M24x1 - 5ltr/min	B 961 383 AA	1 pcs
5	Thread ring M36x1 + Key	B 961 374 NU	1 pcs	16	Bolt M8x63		
6	Hot limit stop	A 861 181 NU	1 pcs	17	Fixation kit	A 964 520 NU*	1 Set
7	Cartridge Ø38 + Pos.13,+ Key	A 861 156 NU*	1 Set	18	Lift rod cpl. + Pos. 19	A 861 210 AA	1 Set
8	Manifold			19	Bracket	A 961 172 NU	1 pcs
9	O - Ring Ø 34 x 2	A 960 183 NU	2 pcs	20	Pop-up waste complete	B 960 853 AA	1 Set
10	O - Ring Ø 9,5 x 2,5	F 961 122 NU	3 pcs				
11	Flex. hose Ø10,5-G3/8-445	A 962 359 NU	1 pcs				

*Universal set (not all parts needed)