

# Table of content

EN

<b>1. Declaration of conformity</b>	<b>27</b>
<b>2. Specified use</b>	<b>27</b>
<b>3. Safety instructions</b>	
3.1 General safety instructions	28
3.2 Tool safety warning	28 - 29
3.3 Fuel cell safety warning	29 - 30
3.4 Battery safety warning	30
3.5 Battery charger safety warning	30
<b>4. Description</b>	
4.1 Overview of the tool	31
4.2 Interchangeable nose piece	32
4.3 Switch for depth adjustment	32
4.4 Removable stand	32
4.5 Magazine	32
4.6 Indication of battery-LED status	33
4.7 Dust filter	33
4.8 Fuel cell compartment cover	33
4.9 Belt hook	33
<b>5. Accessories</b>	<b>34</b>
<b>6. Initial operation/setting</b>	
6.1 Loading the fuel cell	35
6.2 Inserting the battery	35
6.3 Loading the nails into the magazine	35
<b>7. Use</b>	
7.1 Driving nails	36
7.2 Unload the fastening tool	36
7.2.1 Remove the battery	36
7.2.2 Remove the fuel cell	36
7.2.3 Unload the magazine	36
7.3 Usage of the battery charger	36
<b>8. Maintenance</b>	
8.1 Caring for the fastening tool	37
8.2 Cleaning the fastening tool	37 - 39
<b>9. Troubleshooting</b>	<b>40 - 41</b>
<b>10. Environmental Protection</b>	<b>42</b>
<b>11. Warranty</b>	<b>42</b>
<b>12. Technical data</b>	<b>43</b>
<b>13. Exploded view and spare part list</b>	
13.1 Exploded view of the fastening tool	44 - 45
13.2 Spare part list	46 - 47

# 1 Declaration of conformity

We declare under our sole responsibility: This gas actuated fastening tool, FGC 100, complies with all relevant requirements of the directives \*1) and standards \*2). Technical data at \*3) – see page 43.



01.07.2021

Dr. Oliver Geibig  
Head of Business Units & Engineering  
Member of the Executive Board

## 2 Specified use

The gas actuated fastening tool is designed to drive suitable nails into concrete, steel, solid bricks, sand lime masonry and other materials suitable for the direct fastening technique. The gas tool, fuel cell, battery and nails form a technical unit. Trouble free fastening can only be ensured if only the recommended battery, fuel cell and nails manufactured by fischer are used. Only use the tool as a hand-held device.

- only use the fischer battery B 7.2V with this product (\*A) – see page 34
- only use the fischer battery charger BC 7.2V to charge the battery (\*B) – see page 34
- only use the fischer fuel cell with this product (\*C) – see page 34
- only use the fischer nails DFN/DFNH with this product (\*D/\*E) – see page 34

The user bears sole responsibility for any damage caused by improper use. Generally accepted accident prevention regulations and the enclosed safety information must be observed.

# 3 Safety instructions

## 3.1 General safety instructions

- Only persons who have read and understood the tool operating/safety instructions should operate the tool.
- Wear suitable eye protection against flying objects, when handling, operating and servicing the tool. It is employer's responsibility to enforce the user and all other nearby personnel at worksite to wear eye protection when operating the tool. Also, it is recommended to wear a hard hat to prevent a risk of injuries through flying fragments. It is recommended to wear ear protection near or at the job site when using the tool to prevent hearing damage.
- Dress properly. Do not wear loose clothing or jewelry as they can be caught in moving parts. Rubber gloves and non-slip footwear are recommended when working with the tool. Wear protective hair covering to contain long hair. Always wear gloves when you carry out maintenance work of the tool especially when it is still hot.
- Keep body balance when operating the tool, do not over reach.
- Keep the tool, fuel cell, charger and battery out of the reach of children. The tool is dangerous in the hands of untrained persons.

## 3.2 Fastening tool safety warning

- Inspect the tool before operating: determine that the tool is in proper working order. Check for misalignment or bent moving parts or any other condition that may affect the operation of the tool. A tool that is not in proper working order must not be used.
- The tool should not be modified unless authorized in the tool manual. The tool may function unexpectedly after the modification and cause danger.
- Always assume that the tool contains nails. Do not point the tool towards yourself or anyone whether it contains nails or not. Keep bystanders and children away while operating the tool.
- Do not actuate the tool unless the tool is placed firmly against the working surface. When loading application-specific nails (e.g. washers, clips or clamps, etc.) on the nose piece there is a risk of serious injury due to inadvertent actuation of the tool resulting in discharge of a nail. Never press the nose piece of the tool against your hand or any other part of the body.
- Do not hold or carry the tool with a finger on the trigger.
- The tool is not designed to be used in explosive atmosphere. The tool generates sparks and the exhaust will also cause possible danger to ignite highly flammable fuel or gas. Do not use the tool in this kind of environment. Do not smoke while using or handling the tool and fuel cell.
- Maintain the tool with care. Refer to the tool maintenance instructions (chapter 8) for detailed information on the proper maintenance of the tool.

- Please keep the tool in clean condition, wipe off grease or oil after work. Do not use any solvent based cleaner to clean the tool. It is possible that the solvent will deteriorate the rubber or plastic components of the tool. Greasy handle and body can cause accidental drop of the tool and injury to nearby persons.
- Please only use the lubrication oil specified in this manual to perform the lubrication. Use of other lubrication may cause damage to the tool and implies the risk of malfunction that could injure the operator.
- Do not use the tool with materials that are too hard or too soft. Hard material can ricochet nails that can injure people, soft material may be penetrated easily and cause the nail to free fly. Do only drive nails into proper working surfaces.
- The tool needs to be used in well ventilated areas. Do not inhale the exhaust, the fume or the gas because they are potentially dangerous to human body.
- Do not use the tool to perform any other job than the designated function. Especially do not use the tool as a hammer, impact on the tool will increase the risk of cracked body and could lead to malfunction of the tool.
- When disengaging the nail push button, do not release it and allow it to jump forward. Guide it forward slowly. There is a risk of pinching the fingers.
- Stay alert, focus on your work and use common sense when working with the tool. Do not use the tool when tired, after having consumed drugs or alcohol, or while under the influence of medication.
- Do not drive nails into other nails.
- After driving a nail, the tool may spring back (“recoil”) causing it to move away from the working surface. To reduce the risk of injuries always manage recoil by: Always maintaining control of the tool, allowing the tool to move away from the working surface. Do not completely straighten your arms, always keep them flexed when using the tool.
- When working close to an edge of a working surface or at steep angles use care to minimize chipping, splitting or splintering, or free flight or ricochet of nails, which may cause injury.
- Keep hands and body away from the nail discharge area of the tool.
- Do not operate the tool with any other power source than specified in the tool manual.
- Use extra caution when driving nails into existing walls or other blind areas to prevent contact with hidden objects or persons on the other side (e.g. wires, pipes.)
- When fastening electrical cables, make sure the cables are not energized. Hold the tool only by insulated gripping surfaces. Use only nails designed for electrical cable installations. Inspect that the nail has not damaged the insulation of the electrical cables. A nail that damages the insulation of electric cables can lead to electric shock and fire hazards.

### 3.3 Fuel cell safety warning

- The fuel cell is a high pressure liquefied gas bottle. Keep it away from spark, fire or high temperature and explosive environment. Do not puncture the bottle or attempt to open the fuel cell.
- The content of the fuel cell is extremely flammable, keep it away from all source of ignition.
- Do not leave the fuel cell in direct sun light. Do not use the tool at temperatures higher than 50°C (120°F). Overheating the fuel cell can result in explosion or fire.
- Do not store the fuel cell or tool in temperatures above 50°C (120°F). High temperature can result in explosion or fire and the release of flammable gas. When not in use, keep the tool away from high temperature source or direct sun light.

- When the fuel is used up, do not incinerate the can. Follow the recycle instruction on the can. Recycle the empty fuel cell according to local law. Do not attempt to recharge the fuel cell or incinerate the empty fuel cell.
- Use only the fuel cell recommended by fischer. Read the safety data sheet to understand more of the fuel cell contents.
- Remove the fuel cell when: Not in use, performing any maintenance or repairs, clearing a nail jam, moving the tool to a new location or when the tool is outside of the operator's supervision or control.

### 3.4 Battery safety warning

- Use only batteries that are supplied by fischer.
- Recycle the battery according to local law. Do not incinerate, puncture or crush the battery.
- Do not immerse the battery into water or any other fluid. Do not expose the battery to rain or snow.
- Do not expose the battery or tool loaded with battery to direct sun light. Do not use the tool at temperatures higher than 50°C (120°F). Overheating the battery can result in explosion or fire.
- Do not allow direct contact of the battery nodes with metal or conductive material.
- Charge the batteries every 3 months even if the tool is not used to prevent a battery over discharge over time.
- Remove the battery when: Not in use, performing any maintenance or repairs, clearing a nail jam, moving the tool to a new location or when the tool is outside of the operator's supervision or control.
- If you have any issue with the battery call the emergency contact (24-hour-number): (001) 352 323 3500 or GBK/Infotrac ID 93435 (USA domestic) from inside US/CANADA (TOLL FREE): 1 800 535 5053

### 3.5 Battery charger safety warning

- Do not use the battery charger in explosive atmosphere. The electrical device is not designed to be used in such environment.
- Do not charge the battery outdoors or in temperatures below 5°C (40°F).
- Do not charge the battery in direct sunlight or above 50°C (120°F).
- Do not immerse the charger into water or any other fluid. Do not expose the charger to rain or snow.
- Do not use the charger if the cord is damaged or the charger is defect.
- Unplug the charger by pulling the plug, not by pulling the cord.
- Do not cover the charger with anything.
- Do not use a step-up transformer or engine generator as the power source of the charger.
- Please charge the battery for at least 1.5 hours before the first-time use.

# 4 Description

## 4.1 Overview of the fastening tool

1. Interchangeable nose piece
2. Switch for depth adjustment
3. Nail push button
4. Magazine
5. Removable stand
6. Quick release button
7. Battery-LED status
8. Trigger
9. Cooling air slots/dust filter
10. Fuel cell compartment
11. Battery
12. Battery release button
13. Belt hook



## 4.2 Interchangeable nose piece

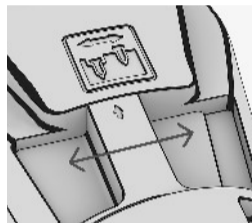
EN

The interchangeable nose piece holds and guides the nails when the tool is actuated. It is possible to take out the nose piece for the clearing of jammed nails or to exchange the nose piece for extended applications. To remove the nose piece, the magazine has to be removed first. How to remove the magazine see chapter 4.5. Then you can change the nose piece by pulling it out.

## 4.3 Switch for depth adjustment

The switch for depth adjustment can be used to reduce the depth and choose how to set the nails – flush or fully embedded. To adjust turn it to the right or left.

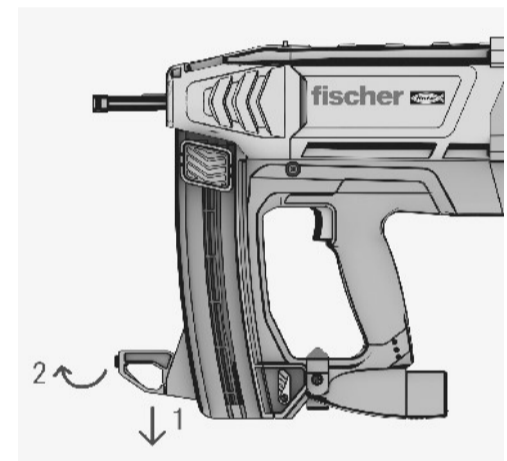
Standard driving depth



Reduced driving depth

## 4.4 Removable stand

The removable stand makes it easier to hold the tool perpendicular to the working surface to enhance better setting results. To be able to work on uneven surfaces or in narrow edges/corners it is possible to remove the stand. To remove the stand, release the engaging mechanism by pulling lightly downwards and rotate the support leg upwards until it can be withdrawn.



## 4.5 Magazine

The tool is equipped with a quick release system, that enables a quick and easy clearance of jammed nails and a quickly change of the interchangeable nose piece. To be able to remove the magazine the easy nail push button has to be pulled back and be engaged in the lock position. Pull the red quick release button while moving the magazine towards the interchangeable nose piece to remove the magazine from the tool. Then you are able to pull out the nose piece.



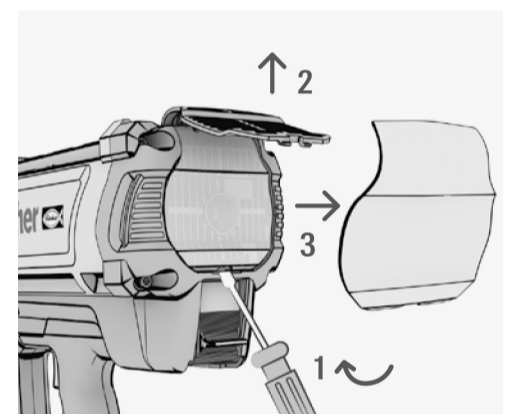
## 4.6 Indication of battery-LED status

After inserting the battery into the tool, the LED lights indicate the battery power and the status of the tool.

Status	Meaning
All three LEDs lights green	The tool is ready, and the level of capacity is between 100% and 60%
Two LEDs lights green	The tool is ready, and the level of capacity is between 60% and 30%
One LED light green	The tool is ready, and the level of capacity is between 30% and 10%
One LED is flashing green	The tool is ready, and the level of capacity is between 10% and 5%
One LED light red	The tool is ready, and the level of capacity is below 5% and should be recharged soon
All three LED lights flash red	The tool has some issue and should not be used anymore, see troubleshooting (chapter 9) to get the tool working again

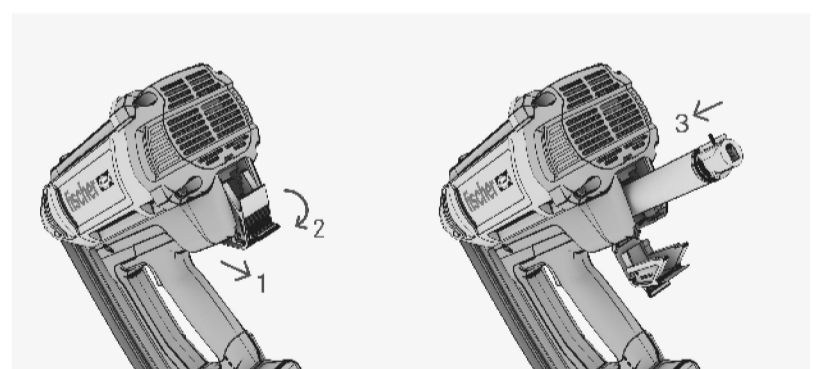
## 4.7 Dust filter

The dust filter at the back of the tool can be removed for cleaning or to interchange it with a new one when dirty. To release the cover of the dust filter use a screwdriver or anything similar and push it into the slot at the bottom of the cover. Rotate the screwdriver downwards to release the cover and take the dust filter out. Clean the dust filter with pressurized air. Do not use water or oil to clean the filter. After the cleaning, put back the dust filter the same way it has been taken out and put on the cover again by pushing it back into lock position.



## 4.8 Fuel cell compartment cover

Open the fuel cell cover by pulling the door and rotate. The fuel cell cover needs to be fully opened to be able to insert the fuel cell. Close the door again after inserting the fuel cell.



## 4.9 Belt hook

The belt hook can easily be adjusted to right- and left-hand use. Unscrew the locking bolt, turn around the belt hook and the locking bolt and fasten the screw again.



## 5

## Accessories

Use only genuine fischer accessories. For complete accessories range visit [www.fischer-international.com](http://www.fischer-international.com) or look through the main fischer catalogue.



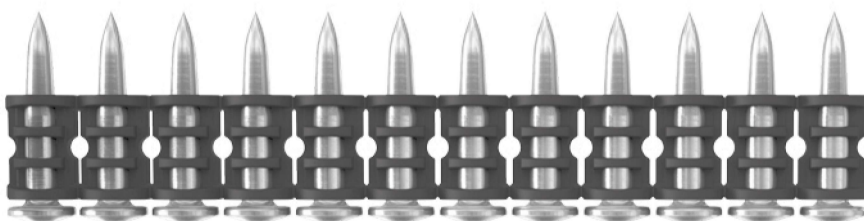
B 7.2V  
Art.No.: 553415



BC 7.2V  
Art.No.: 553414 (EU), 560039 (EU-Schuko),  
553588 (UK), 553589 (US),  
553590 (AUS), 560092 (AR)  
And possibly further variants.

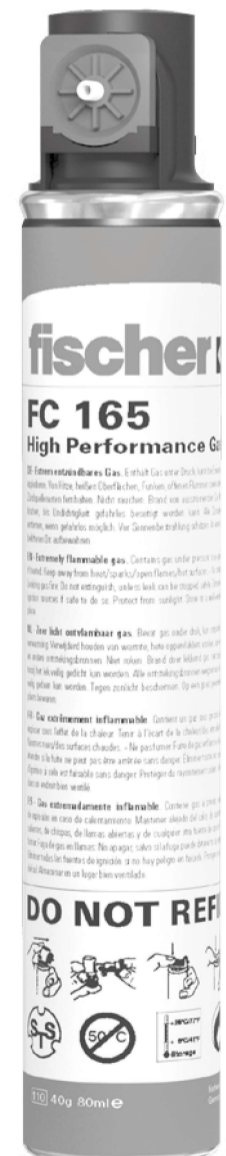


DFN 17, 20, 22, 25, 30, 32, 35, 40  
Art.No.: 553417, 553418, 553419, 553420,  
553421, 553422, 553423, 553424



DFNH 15, 17, 22, 27, 32  
Art.No.: 553425, 553426, 553427,  
553428, 553429

fischer fuel cell  
Art.No.: 553416, 538211  
Example illustration.



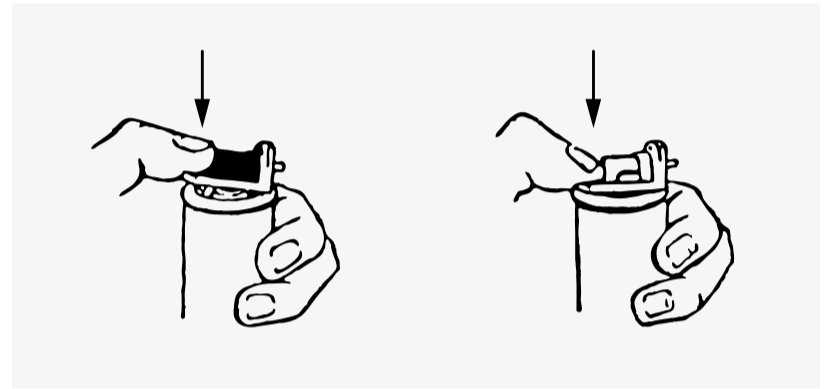
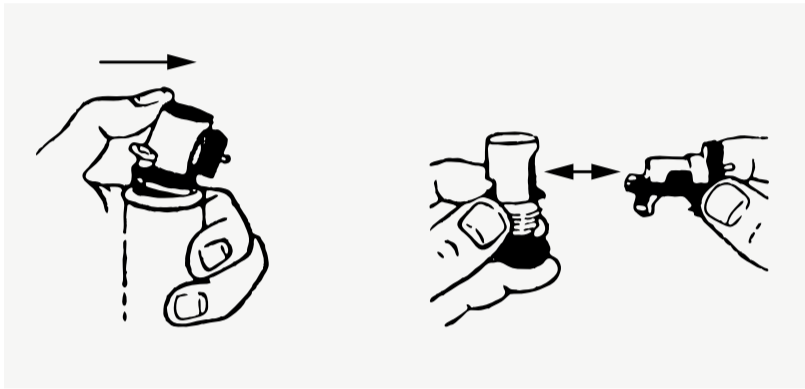
# 6 Initial operation/setting

## 6.1 Loading the fuel cell

If you are using a new fuel cell, proceed as follows:

For the fuel cell with the Art.No. 553416 remove the safety cap and plug on the metering valve.

For the fuel cell with the Art.No. 538211 just plug on the metering valve.



Open the fuel cell compartment cover at the back of the tool. Insert the fuel cell into the compartment in a way that the metering valve of the fuel cell is facing upwards and fitting into the red adapter of the tool. Close the fuel cell compartment cover again.

## 6.2 Inserting the battery

Put the battery into the tool and make sure it is plugged in correctly. Once the battery has been fitted, the battery-LED status lights will light up showing the level of capacity of the battery or the status of the tool.



## 6.3 Loading the nails into the magazine

Pull the push button back until it engages. Slide the nail strips into the magazine in a way that the nails point towards the nose piece of the tool. Release the push button by pressing the red button to bring it back into its initial position.

**Warning:** Pay attention to keep your fingers clear off the pathway of the push button when releasing from the lock position, otherwise there is a risk of finger injury.



# 7 Use

## 7.1 Driving nails

1. Check the driving depth setting.
2. Bring the nose piece and the removable stand into contact with the working surface.
3. Press the tool against the working surface as far as it will go and until you hear the fan running.
4. Check that the nose piece is perpendicular to the working surface.
5. Pull the trigger to drive a nail.
6. Lift the tool completely away from the working surface after driving the nail, now the tool is ready again to drive another nail.
7. Check the position of the nail, if it is driven not deep enough or too deep into the surface adjust the driving depth with the depth adjustment switch accordingly for best setting results.
8. Always remove the fuel cell and the battery when the work with the tool is finished or before leaving the tool unattended.

## 7.2 Unload the fastening tool

### 7.2.1. Remove the battery

Press the red release button on the bottom of the battery and pull the battery out of the tool.

### 7.2.2. Remove the fuel cell

Open the fuel cell compartment (see chapter 4.8) and remove the fuel cell.  
Close the compartment cover again.

### 7.2.3. Unload the magazine

Pull the nail push button back until it engages in lock position. Remove all nail strips.  
Release the nail push button to get it back into its initial position.

## 7.3 Usage of the battery charger

To recharge the battery, plug in the battery charger BC 7.2V. When the battery charger is properly plugged in, the green LED will light up and the charger is ready to use. To charge the battery, insert the battery into the battery charger in the right way. When the battery is charging properly, the red LED will light up. When you plug in a battery and the green LED is lighting up, the battery is already fully charged, and no further charging is needed.

Once the battery is fully charged the green LED will light up instead of the red one. A fully charge of an empty battery takes around 1.5 hours. If the red and green LED will flash in alternate sequence, there is an issue or failure with the battery and the battery must not be used anymore.

# 8 Maintenance

## 8.1 Caring for the fastening tool

- Clean the tool with a cloth at regular intervals
- Keep the grip areas free from oil and grease
- Do not use pressure jet washers or running water for cleaning
- Only use the fischer cleaning spray. Do not use cleaning sprays with silicone.
- Never use the tool when the air slots are blocked.

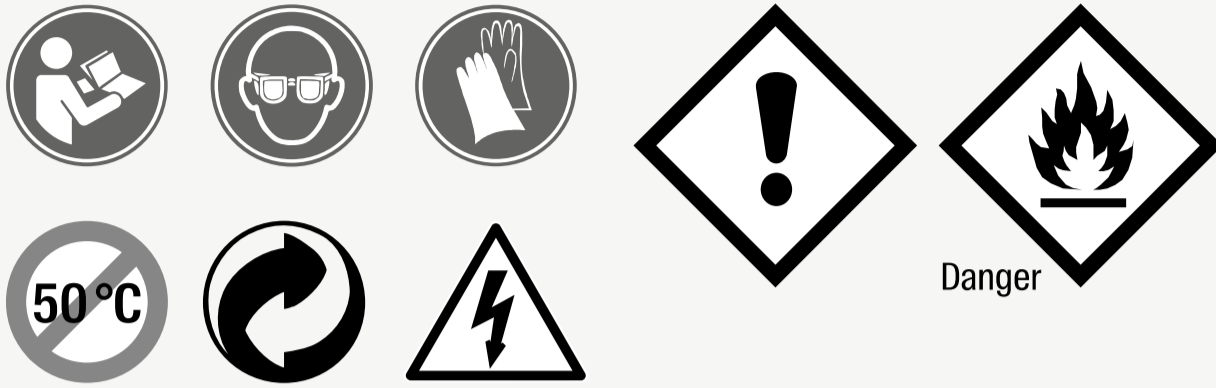
## 8.2 Cleaning the fastening tool

**Note: The tool must be cleaned and serviced regularly.**

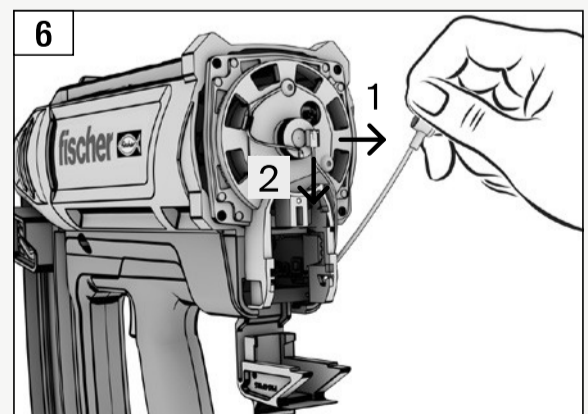
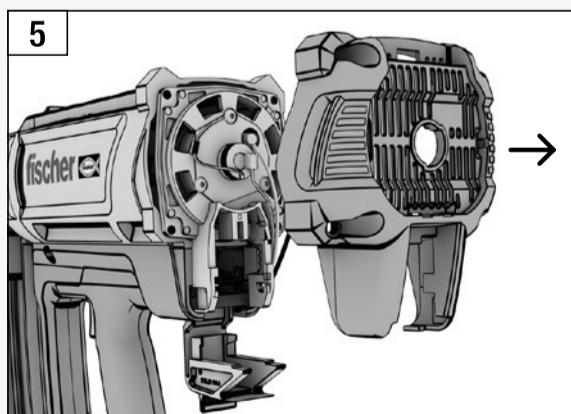
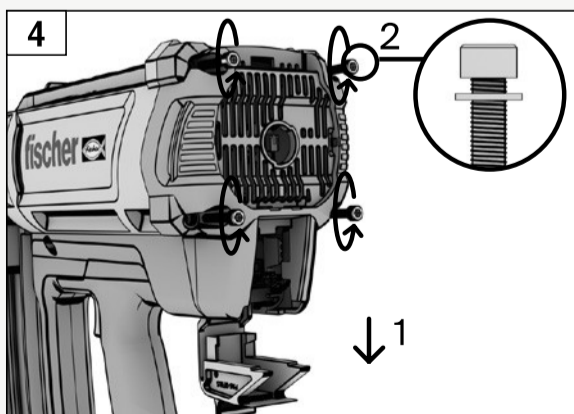
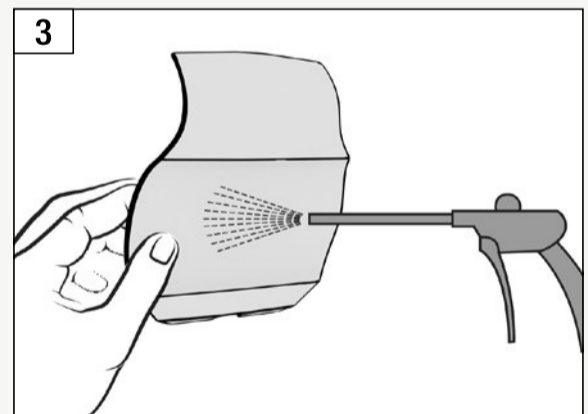
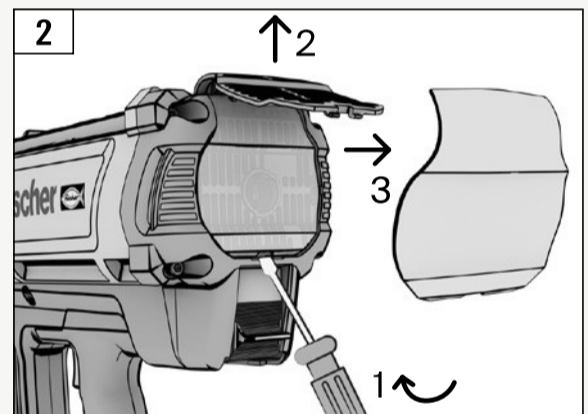
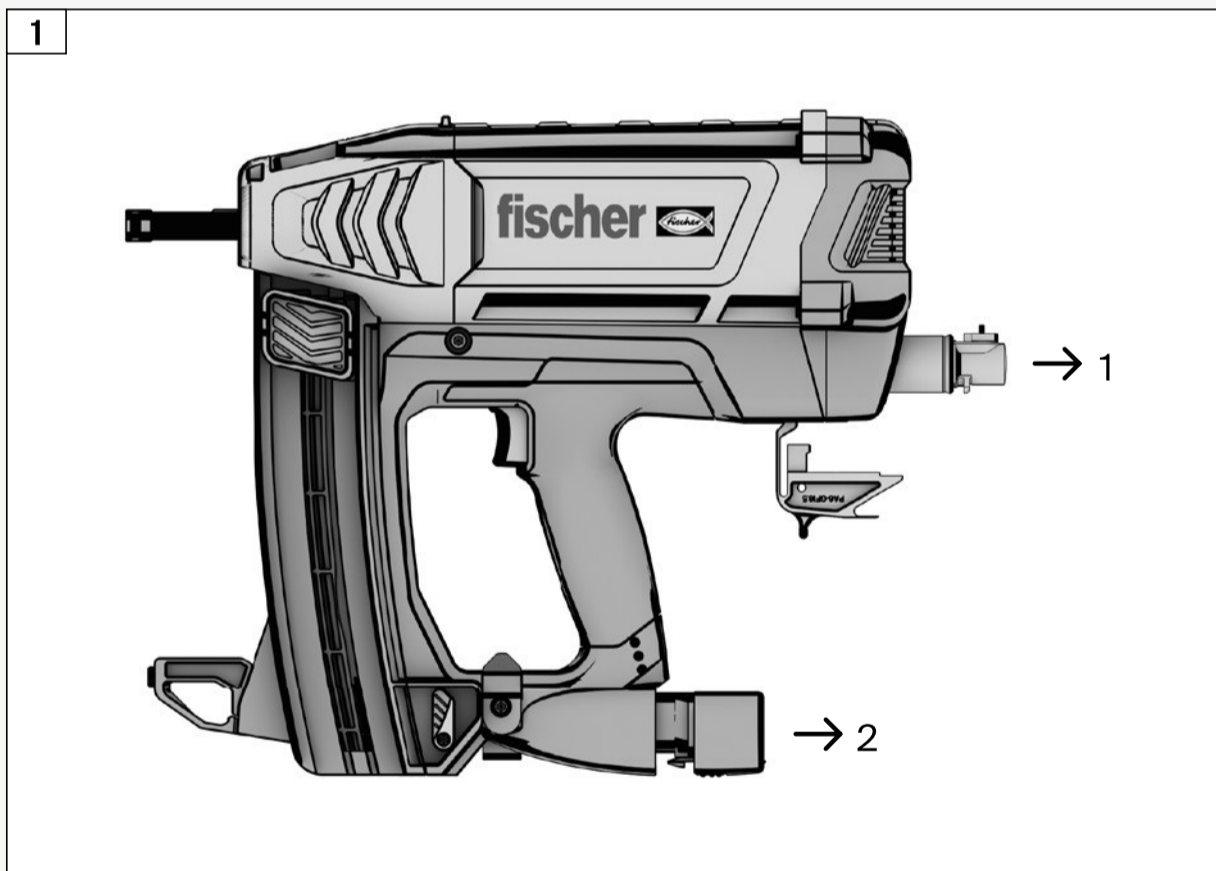
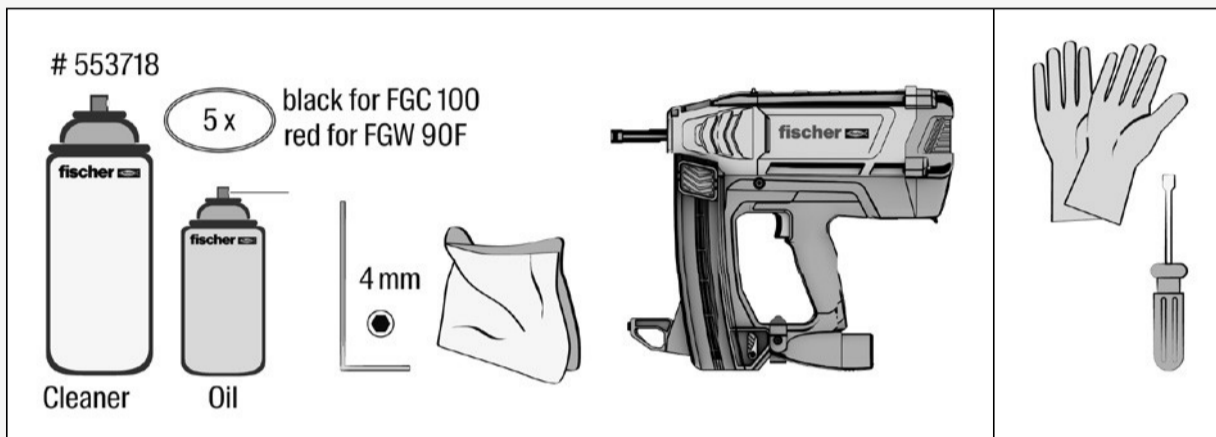
**We recommend that a cleaning service is carried out, at least after driving 20,000 nails.**

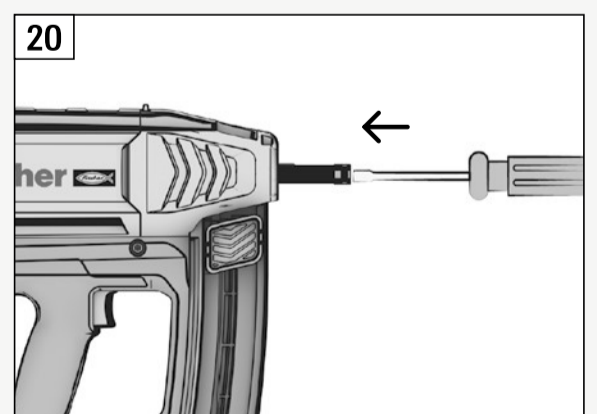
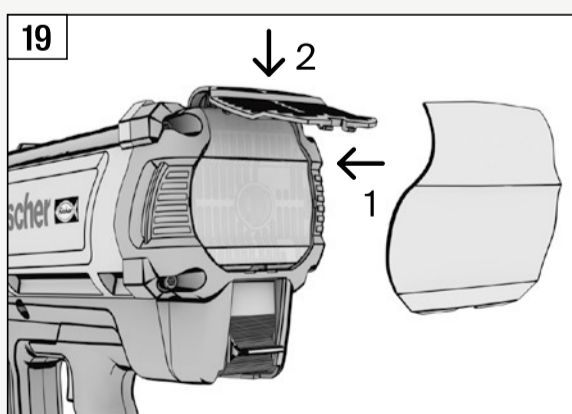
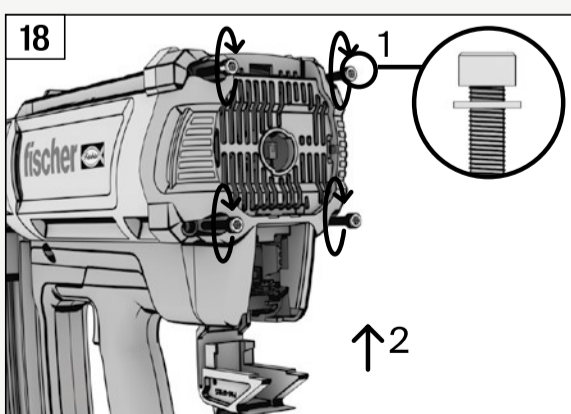
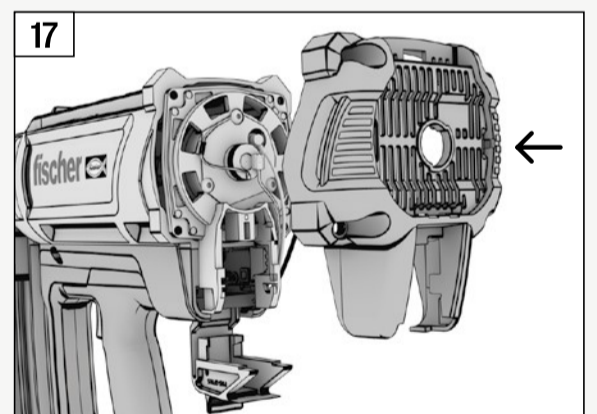
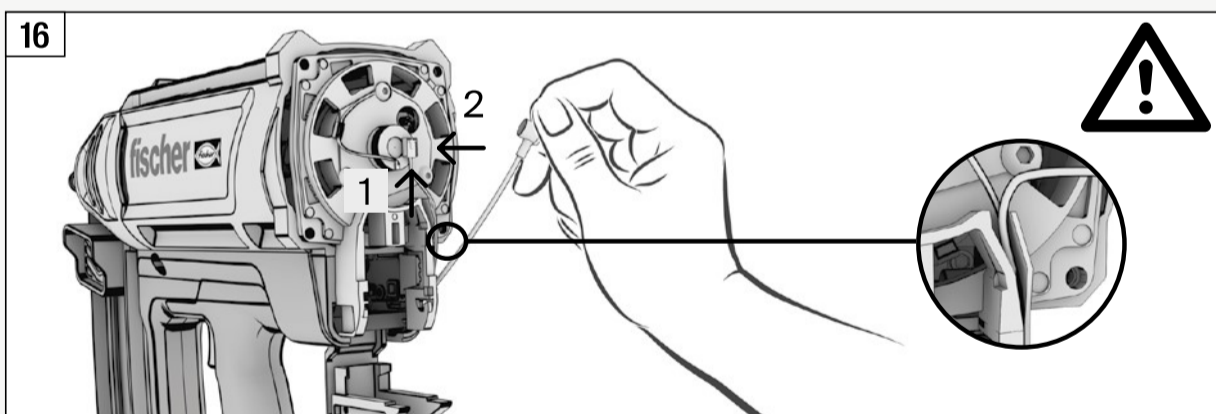
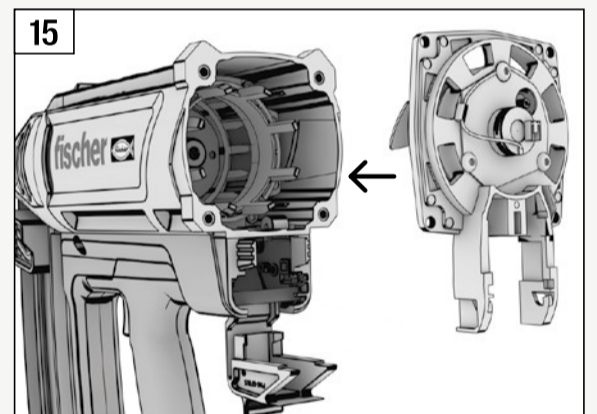
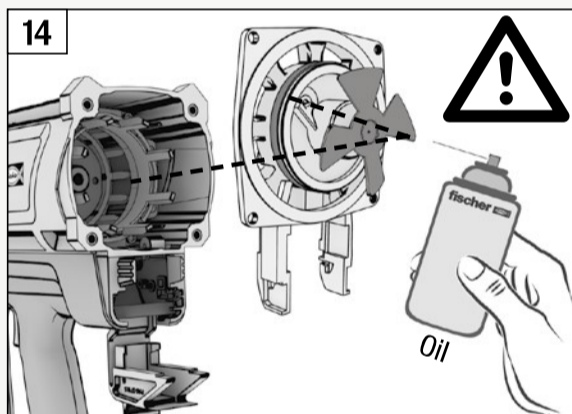
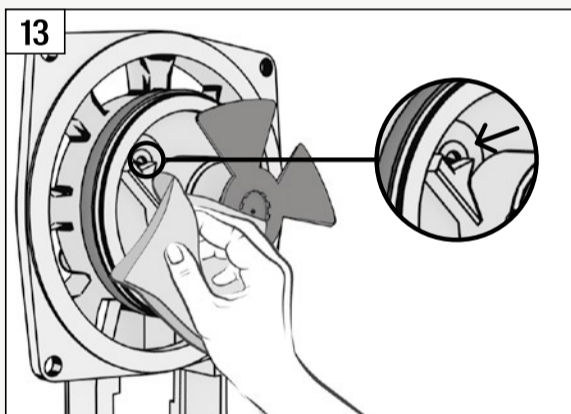
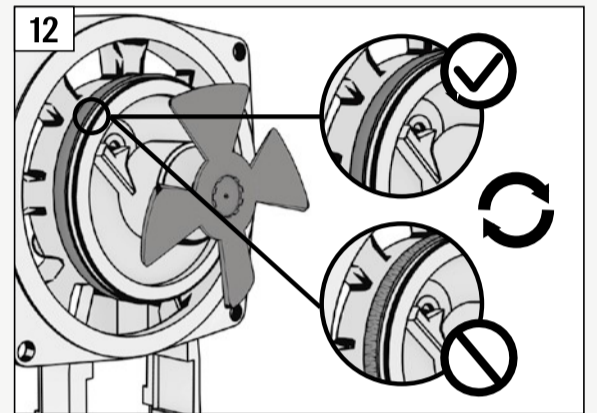
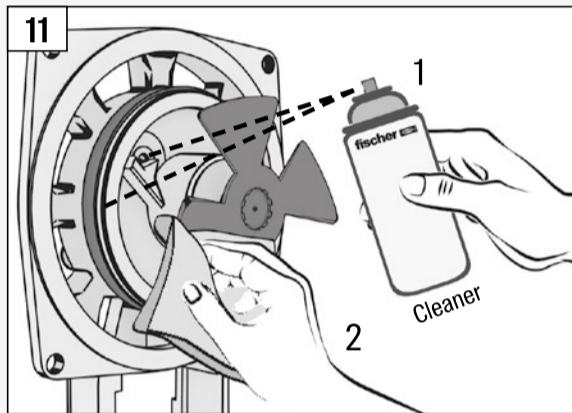
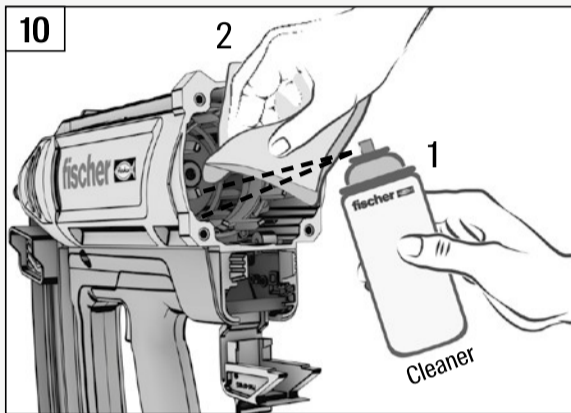
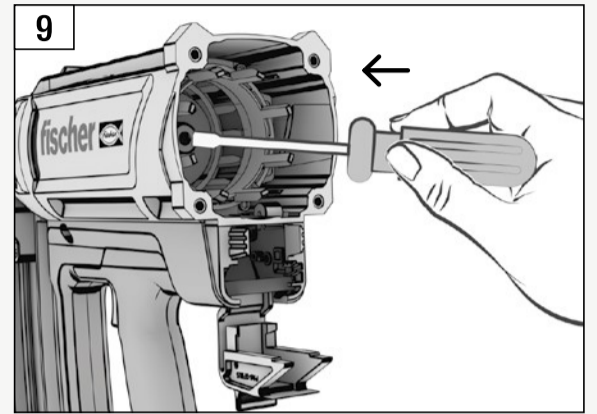
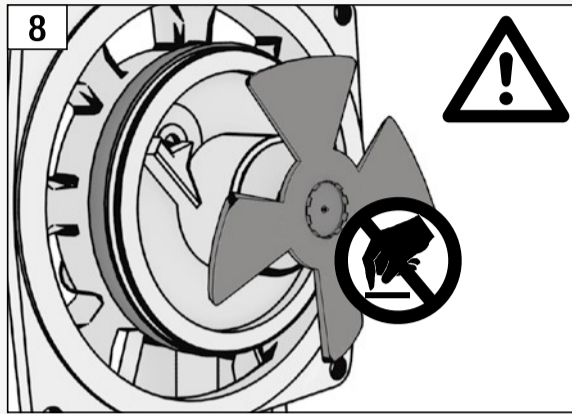
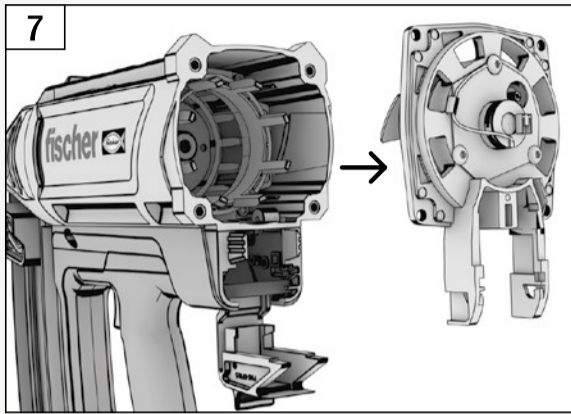
- Clean the tool if malfunctions such as misfiring occur increasingly.
- For cleaning, use only the fischer cleaning set and observe the illustrated cleaning instructions enclosed with the cleaning set.
- Use only genuine fischer spare parts to ensure safe and reliable operation.

Following illustrations (see next page) describe the cleaning process of the tool.



Danger





# 9 Troubleshooting

If the trouble you are experiencing is not listed below or you are unable to remedy the problem by yourself, please contact your fischer contact. Stop using the tool immediately.

Malfunction	Possible cause	Action to be taken
Nails are driven not deep enough.	Driving power is too low.	→ Move the depth adjustment switch to standard driving depth.
	The nails are too long.	→ Use shorter nails.
	The working surface is too hard.	→ Use a different fastening method.
Nails are driven too deep.	Driving power is too high.	→ Move the depth adjustment switch to reduced driving depth.
	The nails are too short.	→ Use longer nails.
Nails break.	Driving power is too low.	→ Move the depth adjustment switch to standard driving depth.
	The nails are too long.	→ Use shorter nails.
	The tool is not perpendicular to the working surface.	→ On even surfaces use the removable stand to ensure correct contact. Pay special attention to hold the tool perpendicular to the surface.
	The working surface is too hard.	→ Use a different fastening method.
Nails bend.	Driving power is too low.	→ Move the depth adjustment switch to standard driving depth.
	The nails are too long.	→ Use shorter nails.
	The tool is not perpendicular to the working surface.	→ On even surfaces use the removable stand to ensure correct contact. Pay special attention to hold the tool perpendicular to the surface.
Nails do not hold in steel base material.	The steel base material is too thin.	→ Use a different fastening method.
The fuel cell is empty before all nails of a package were used.	High gas consumption due to a frequent actuation of the tool through pressing it against the working surface without driving a nail.	→ Avoid actuation of the tool without driving a nail.
The nose piece hasn't returned into its initial position after driving a nail.	A nail jam has occurred in the nose piece.	→ Remove the nose piece and clear the nail jam with the enclosed push bar.

<b>Malfunction</b>	<b>Possible cause</b>	<b>Action to be taken</b>
Nails driving failure rate is too high.	The tool is not perpendicular to the working surface.	→ On even surfaces use the removable stand to ensure correct contact. Pay special attention to hold the tool perpendicular to the surface.
	Wrong type of nails is used.	→ Use nails suitable for the application.
	The working surface is too hard.	→ Use a different fastening method.
	Frequent incorrect position of the driving piston.	→ Clean the tool as described in chapter 8.
No nails are driven, but the fan is running.	The nail push button was not moved forward.	→ Release the nail push button from locking position to get it in contact with the nail strips.
	Nail transport is not working anymore.	→ Check the nail strip, if damaged use a new one. Clean the magazine and the nose piece.
	Fuel cell is empty.	→ Insert a new fuel cell.
	Incorrect position of the driving piston.	→ Remove the magazine and nose piece. Push back the driving piston all the way into its initial position.
	Frequent incorrect position of the driving piston.	→ Clean the tool as described in chapter 8.
	The tool doesn't drive due to a dirty spark plug.	→ Clean the tool as described in chapter 8.
No nails are driven, and the fan is not running.	The high voltage cable for the spark plug got loose.	→ Open the back of the tool and plug in the high voltage cable again.
	Not enough nails in the magazine.	→ Load new nails into the magazine.
	The battery is discharged.	→ Change the battery with a fully charged one.
	The electric cable of the fan got loose.	→ Open the back of the tool and plug in the fan cable again.



# 10 Environmental Protection

Observe national regulations on environmentally compatible disposal and on the recycling of disused machines, packaging and accessories.

Batteries must not be disposed with regular waste.

Do not allow battery packs to get in contact with water.



Only for EU countries: Never dispose power tools in your household waste! In accordance with European Guideline 2012/19/EU on used electronic and electric equipment and its implementation in national legal systems, used power tools must be collected separately and handed in for environmentally compatible recycling. Before disposal, discharge the battery pack in the power tool. Prevent the contacts from short-circuiting (e.g. by protecting them with adhesive tape).

# 11 Warranty

Please contact your local fischer dealer or representative for any further information regarding the warranty conditions.

# 12 Technical data



\*1)  
Regulation 2A of S.I. 2008/1597  
2006/42/EC (MSD),  
2014/35/EU (LVD),  
2014/30/EU (EMC),  
2011/65/EU (RoHS),  
2012/19/EU(WEEE)

\*2)  
ISO 8662-11+A1,  
BS EN 60745-1+A11,  
BS EN 60745-2-16,  
BS EN 55014-1,  
BS EN 55014-2,  
BS EN ISO 12100,  
BS EN ISO 11148-13,  
BS EN 15895 (Annex D)

(additional for battery charger):  
BS EN 60335-1+A13,  
BS EN 60335-2-29+A11

(additional for battery):  
BS EN 62133

\*3)

Model name:	FGC 100
Type of tool:	Gas nailer
Dimensions (L x W x H):	336 x 121 x 404 mm
Rated input battery charger:	100-240 Vac, 50 Hz
Charge time of battery:	90 mins
Battery capacity:	≥ 2500 mAh
Battery voltage:	7.2 Vdc
Operating temperature:	-7 °C (19°F) ~ 49 °C (120°F)

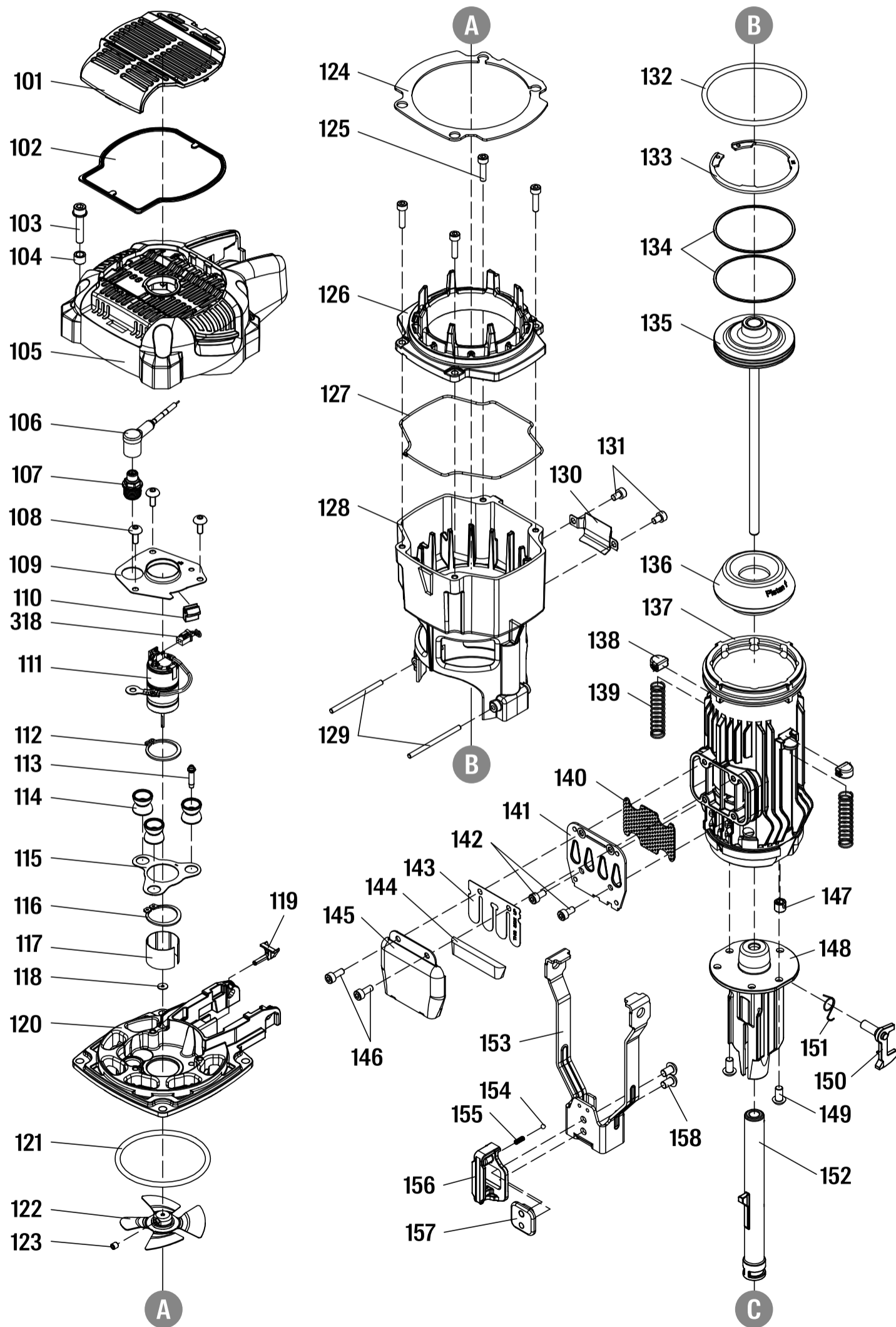
Noise characteristic values in accordance with BS EN 15895 (Annex D), using the basic standards BS EN ISO 3744 and BS EN ISO 11201.

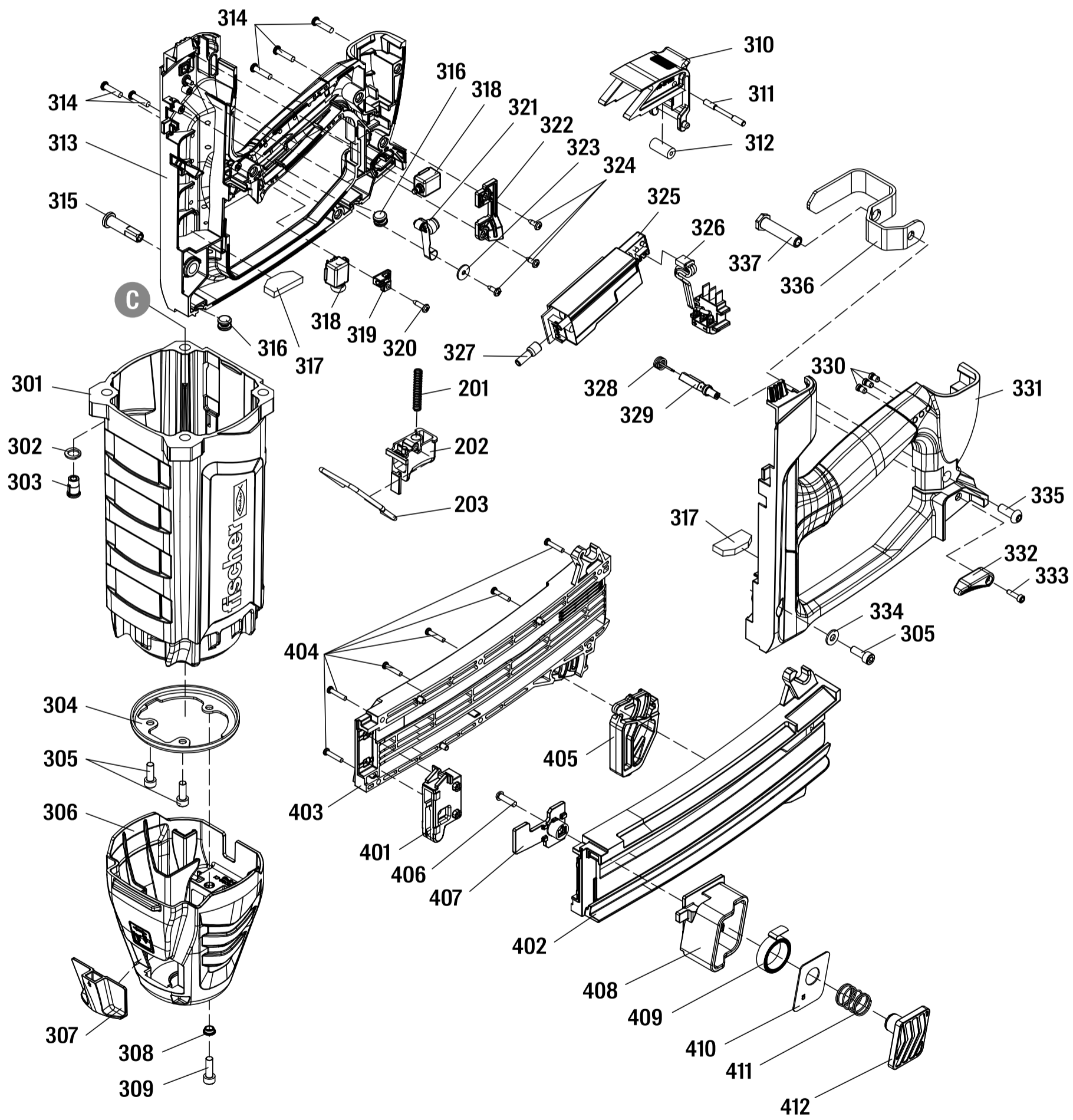
A-weighted sound pressure level at workstation, LEA:	97.9 dB
A-weighted sound power level, LWA:	101.6 dB
Peak C-weighted instantaneous sound pressure level at workstation:	< 130 dB
Measurement uncertainty (standard):	3 dB
Vibration value according to ISO 8662-11+A1:	3.15 m/s <sup>2</sup>
Measurement uncertainty (standard):	1.58 m/s <sup>2</sup>
Nail specifications:	Angle 0°, diameter 2.6 - 3.0 mm, length 15 - 40 mm, plastic collated

# 13

## Exploded view and spare part list

### 13.1 Exploded view of the fastening tool





## 13.2 Spare part list

EN

Item	Parts #	Parts name	Item	Parts #	Parts name
101	553939	Deflector	133	553978	C - Ring
102	553940	Filter Unit	134	553979	Piston Ring
103	553941	Bolt W/Flat Washer	135	553981	Driver Unit
104	553942	Collor	136	553982	Bumper
105	553943	Cap	137	553984	Cylinder
106	553944	High Voltage Cable Set	138	553986	Bumper-Combustion Chamber
107	553946	Sparkler	139	553987	Safety Spring
108	553947	Half Round Hd.Hex.Bolt	140	553988	Exhaust Mesh Plate
109	553948	Positioning Sheet	141	553989	Exhaust Baffle
110	553949	Ground Wire Bracket	142	553990	Hex.Soc.Hd.Bolt
111	553951	Motor Unit	143	553991	Reed Valve
112	553952	C - Ring	144	553992	Cleaner
113	553953	Positioning Shaft	145	553993	Deflector
114	553954	Feed Bumper	146	553994	Hex.Soc.Hd.Bolt
115	553956	Spacer	147	553995	Self-Tapping Sleeve
116	553957	C - Ring	148	553996	Nose Piece
117	553958	Sleeve Motor	149	553997	Half Round Hd.Hex.Bolt
118	553959	Washer-Motor Shaft	150	553998	Stopper
119	553961	Fuel Stem Adapter	151	553999	Spring A
120	553962	End Cap-Combustion Chamber	152	554000	Safety A
121	553963	O - Ring	153	554001	Safety B
122	553964	Cooling Fan Assembly	154	554002	Steel Ball
123	553966	Hex.Soc.Hd.Screw	155	554003	Spring
124	553967	Spacer	156	554004	Driver Guide Cover A
125	553968	Hex.Soc.Hd.Bolt	157	554005	Driver Guide Cover B
126	553969	Upper Combustion Chamber	158	554006	Half Round Hd.Hex.Bolt
127	553971	Packing	201	554007	Spring
128	553972	Combustion Chamber	202	554008	Trigger
129	553973	Pin	203	554009	Safety
130	553974	Washer	301	554010	Gun Body
131	553976	Hex.Soc.Hd.Bolt	302	554011	Washer Cap
132	553977	O - Ring	303	554013	Cap Nut

Item	Parts #	Parts name
304	554014	Cylinder Bracket
305	554015	Hex.Soc.Hd.Bolt
306	554016	Safety Cover
307	554017	Glove
308	554018	Latch Spring Bushing
309	554019	Hex.Soc.Hd.Bolt
310	554020	Fuel Actuator
311	554021	Pin-Fuel Actuator
312	554022	Bush-Fuel Actuator
313	554023	Handle A Unit
314	554024	Tap Bolt
315	554025	Handle Bolt
316	554026	Feed Bumper
317	554027	Spacer
318	554059	Motor Cable
319	554028	Bracket Unit
320	554029	Self Tapping Bolt
321	554030	Motor Fan Switch Lever Unit
322	554031	Positioning Sheet
323	554032	Flat Washer
324	554033	Self Tapping Bolt
325	554034	Pcb Assembly
326	554035	Connector Unit
327	554036	Insulating Sleeve
328	554037	Spring A
329	554038	Stopper
330	554039	Led Cover
331	554040	Handle B Unit
332	554041	Wrench
333	554042	Hex.Soc.Hd.Bolt
334	554043	Flat Washer
335	554044	Half Round Hd.Hex.Bolt

Item	Parts #	Parts name
336	554045	Spring Retainer
337	554046	Fixed Pin
401	554047	Driver Guide
402	554048	Magazine
403	554049	Magazine Guide
404	554050	Tap Bolt
405	554051	Guide Bulb Unit
406	554052	Tap Bolt
407	554053	Pusher
408	554054	Protecting Hood Cover
409	554055	Spring
410	554056	Spacer
411	554057	Pusher Spring
412	554058	Pusher Button