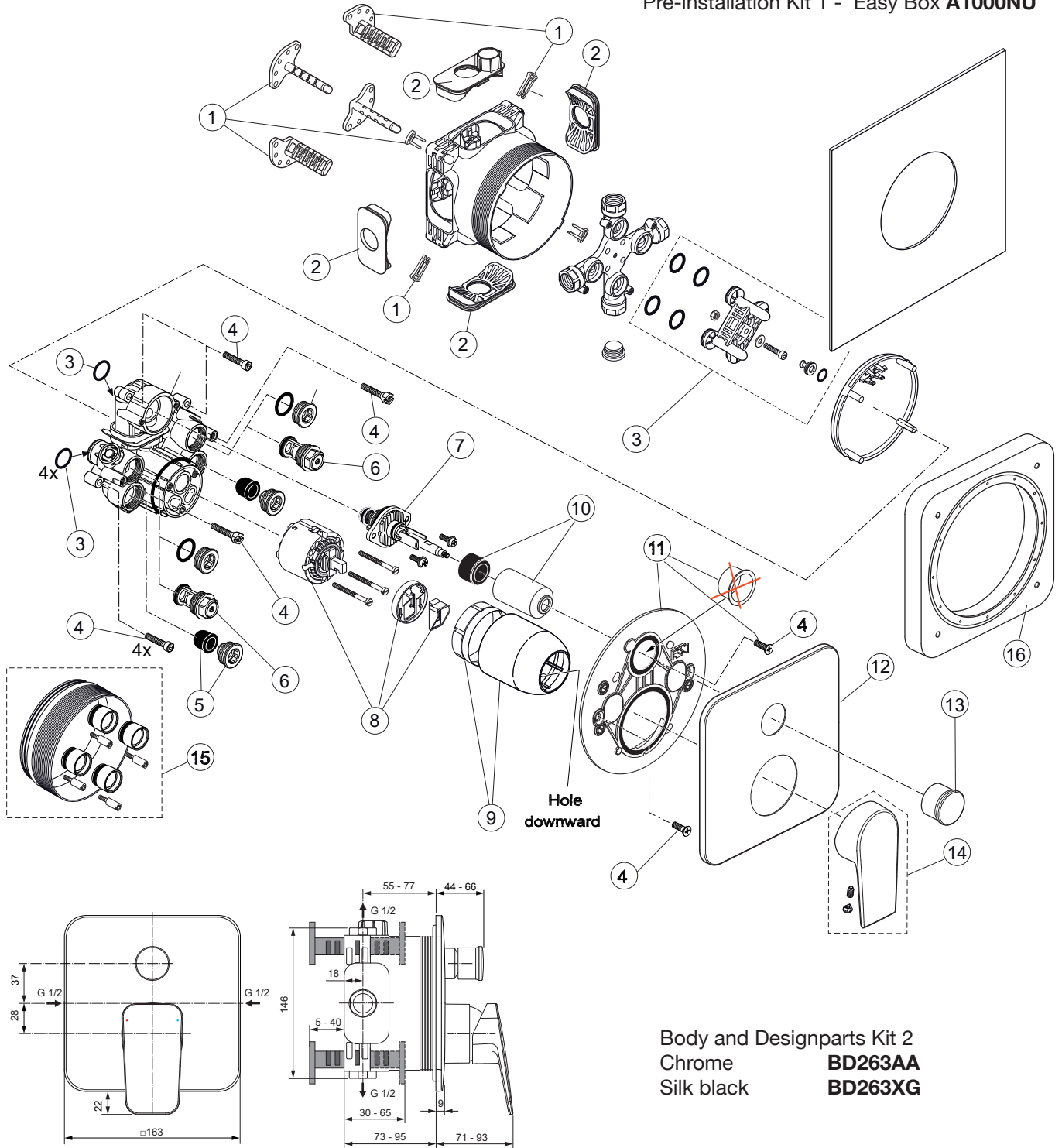


Produced since: July 2021

Pre-installation Kit 1 - Easy Box **A1000NU**



Body and Designparts Kit 2
 Chrome **BD263AA**
 Silk black **BD263XG**

Replace XX with the appropriate finish code

Chrome = AA Silk black = XG

Example spare part order:

A 861 441 AA in Chrome

Pos.	Description	Part-Number	Qty.	Pos.	Description	Part-Number	Qty.
1	Install. depth adjust.	A 963 131 NU	1 Set	11	Escutcheon holder cpl.	A 860 897 NU	1 Set
2	Side sealing	A 963 132 NU	1 Set	12	Escutcheon B/S plane	A 860 900 XX	1 pcs
3	Flushing device cpl.	A 963 146 NU	1 Set	13	Pull knob	A 860 901 XX	1 pcs
4	Screw set complete	A 960 890 NU*	1 Set	14	Lever cpl. with Ring-Logo	A 861 555 XX	1 Set
5	Low noise insert	A 960 891 NU	1 pcs				
6	Stop valve	A 960 706 NU	2 pcs	15	Extension kit 20mm	A 960 704 NU	1 Set
7	Diverter complete	A 963 443 NU	1 pcs		Extension kit 40mm	A 962 476 NU	1 Set
8	Cartridge with ECO-kit	A 960 500 NU	1 Set	16	Distanzframe 20mm	A 6678 XX	1 Set
9	Cover + clamping + O-ring	A 861 441 XX	1 Set				
10	Cover / Cap for diverter	A 860 902 XX	1 pcs				

*Universal set (not all parts needed)