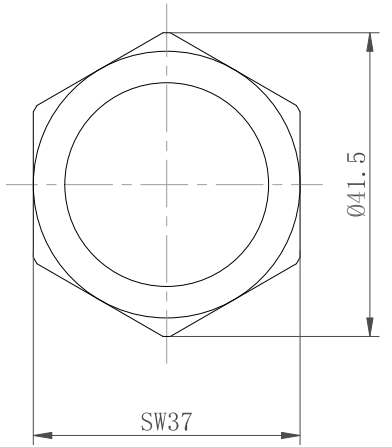
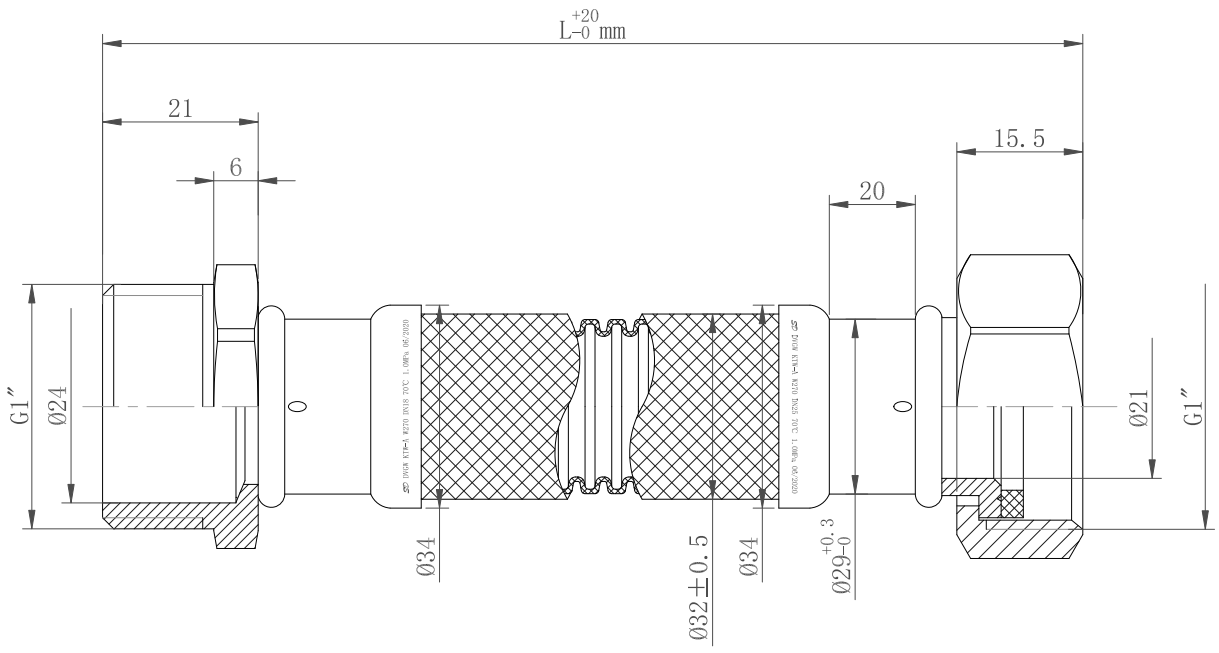
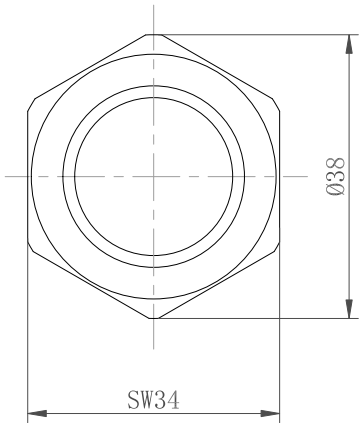



IPG		
IPG NO.	LENGTH	SD NO.
8901871	300	0602010550021
8901872	500	0602010550022
8901873	800	0602010550023
8901874	1000	0602010550024
8901875	1500	0602010550025
8901876	2000	0602010550026



Technical requirements:

- 1: There is no burr, crack or broken wire on the surface of the steel wire
2. The tolerance conform to GB1804-79 level IT13 if unspecified
3. Working pressure: Max 0.6MPa
4. Working temperature: -20°C-70°C

DRAWN		CHECKED		DN25 F1XMC1 (BRAIDED HOSE)		DATE		10TH JUNE 2020	
				APPROVED					
								IPG GmbH	