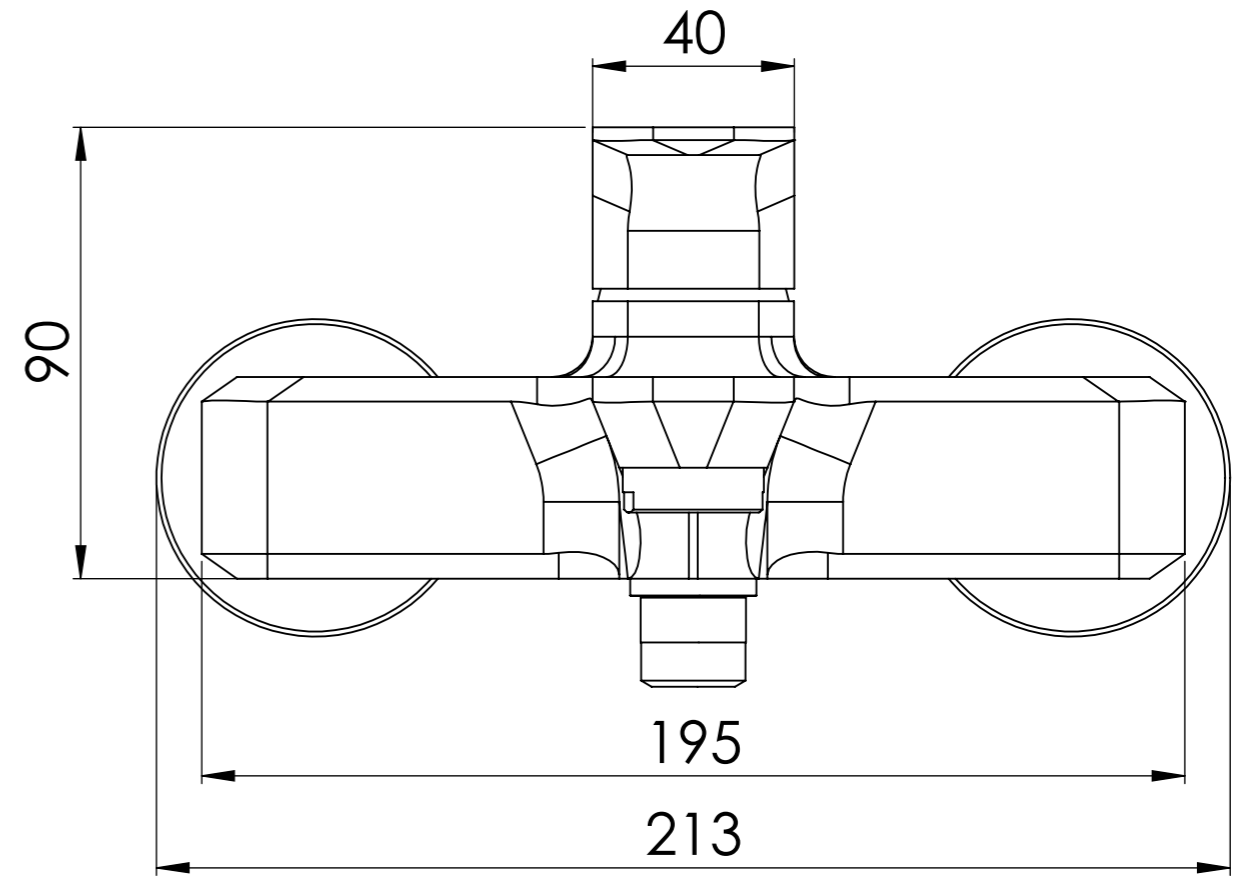
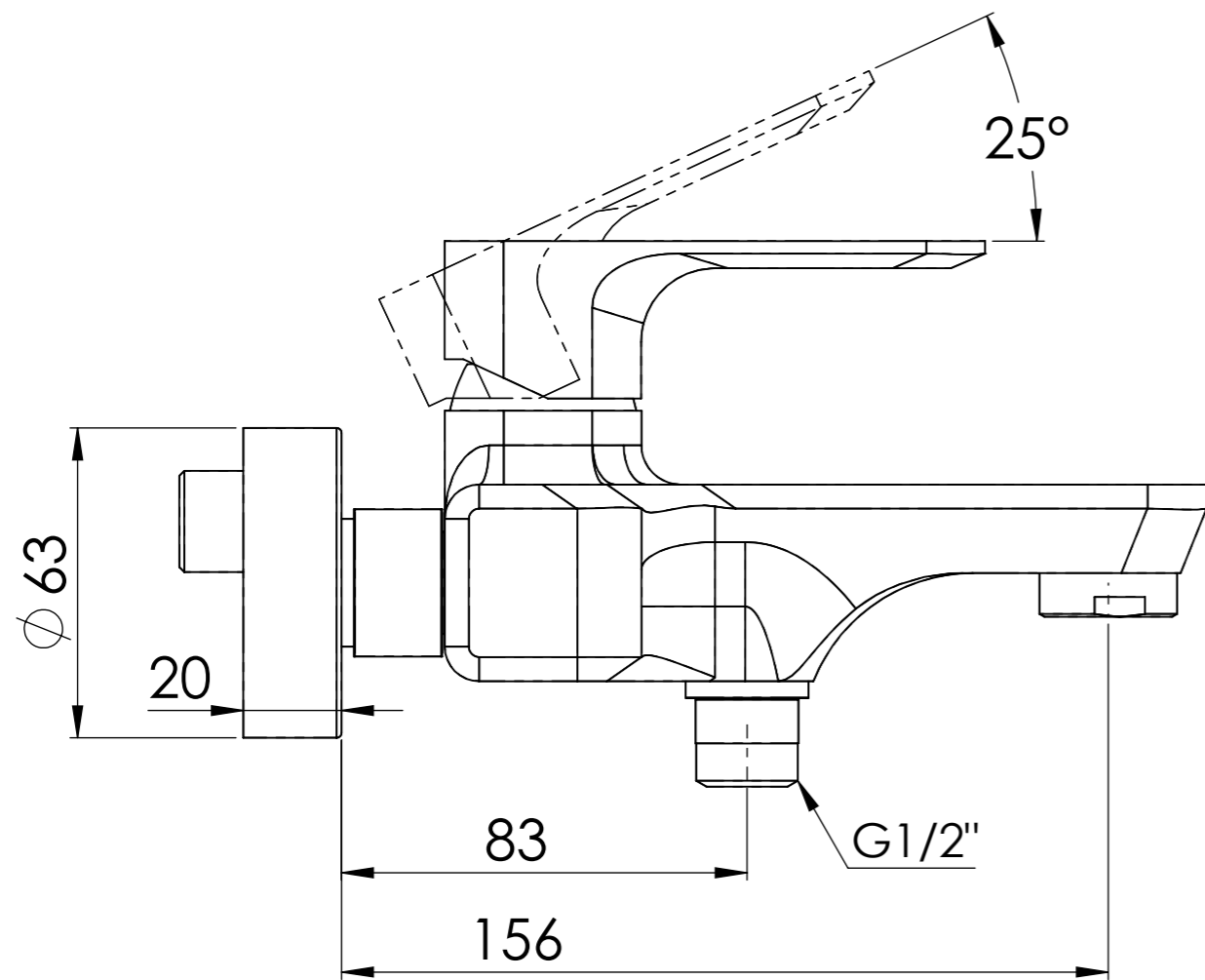


Num. articolo	cod. REMER	cod. DANIEL
1	W50	A821
2	NGH	NGHT
3	CAW10	CAW10
4	SP600DEVCR	SP600DEVCR
5	84A	A804CR
6	89N	ECSUVICR
7	MATA	TA630
8	GR54P	GR5X4P
9	TAMADSI	TAMADSI

Data: 04/12/2023

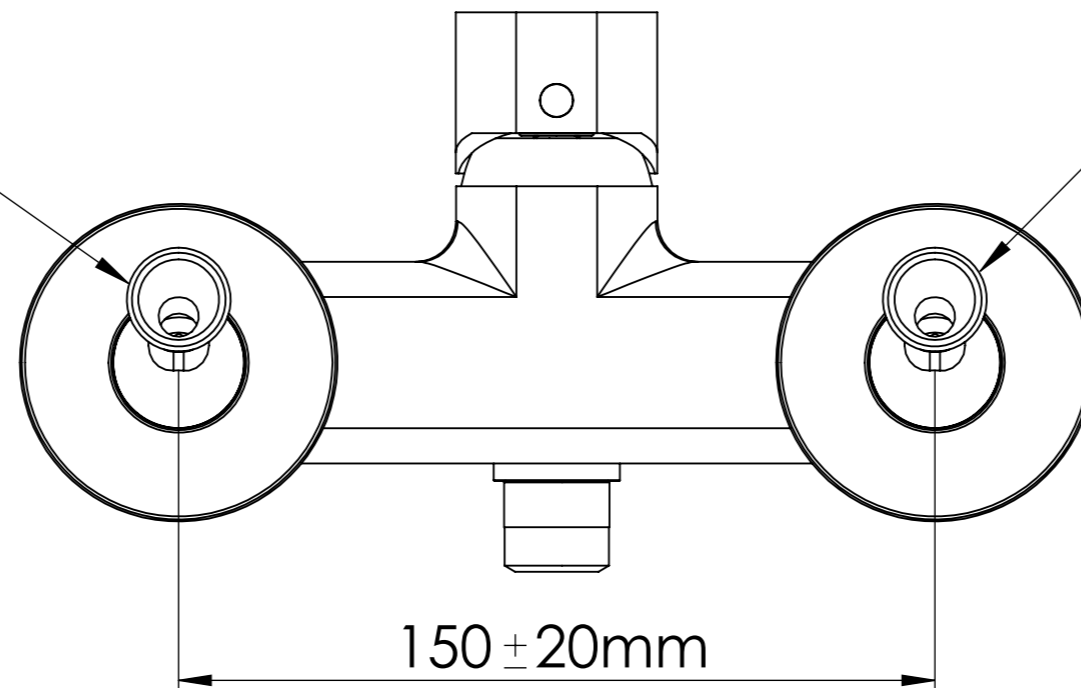
Cod.: 93 250 59

Apice
A

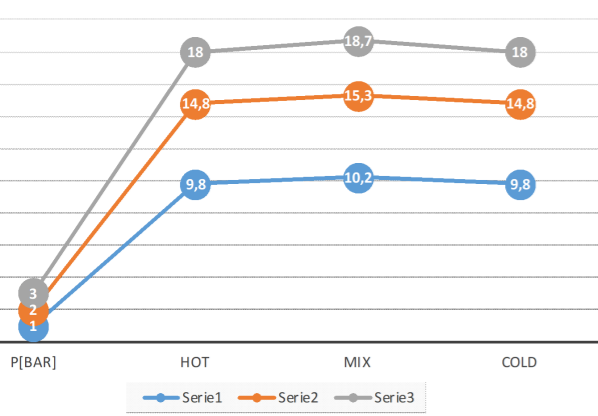


COLD WATER G1/2"

HOT WATER G1/2"



FLOW RATE (l/min) Primary outlet



Data: 04/12/2023

Cod. : 93 250 59 A

Apice