

Oil Burner Safety Control DKO 970-N/ 972-N

For 1- or 2-stage oil burners up to 30 kg/h throughput and intermittent operation
 Flame detection:
 - Photoresistor MZ 770 S
 - Infrared-f icker detector IRD 1010.1

INTRODUCTION

The DKO 970-N/972-N oil burners safety control boxes are suitable for oil burners with throughputs up to 30 kg/h. They are approved and certified according to the applicable European standards and regulations.

The microprocessor-based programming sequence ensures extremely stable timings independent of voltage variations, ambient temperature and/or switch-on cycles. The built-in information system not only provides a continuous monitoring of the actual state of the box (very helpful especially for monitoring the start-up phase) but also informs about the cause of a possible lock out. The lock out cause is stored in such a way that it can be retrieved even after a power failure.

The control box is designed for maximum safety in case of fluctuations in the voltage supply. If the mains voltage drops below the permitted level, operation is interrupted and the control box automatically prevents the start sequence from being repeated. In this way, the safety of the system is not put at risk by a drop in the mains voltage. This low-voltage protection works not only during start-up but also permanently during operation.

TYPES AVAILABLE

DKO 970-N 1-stage operation
 DKO 972-N 2-stage operation

CONSTRUCTIONAL FEATURES

The control box circuitry is protected by a flame resistant, transparent plug-in type plastic housing. A central fixing screw locks the control box to the wiring base.

The plug-in control box incorporates the microprocessor based timer, flame check and reset circuits.

Manual reset from lock out and set to lock out is provided by a push button with an integrated LED information system. The wiring base S98 is equipped with spare- and extraterminals and allows together with a variety of cable entry points utmost flexibility of electrical wiring.

The DKO 970-N is compatible with the TF 801, TF 801.2, TF 830, TF 830.2. The DKO 972-N is in addition compatible with the TF 802, TF 802.2, TF 832, TF 832.2.


 Using the DKO 970-N/972-N as a replacement for the TF 801 or TF 801.2, the flame sensor FZ 711 S must be replaced by its plug compatible type MZ 770 S. On flame supervision by a photo-cell, type MZ 770 S has to be connected to terminals 1 and 2. Older IR-Sensors of the types IRD 910 and IRD 911 is not possible.
 Dxx-N is the EN 298:2012 replacement of the Dxx.

Table of timings (sec.)

Model	Pre-purge and pre-ignition time tv1	stray light monitoring tf	safety time ts	post-ignition time after V1 tn	delay time to V2 DKO 972-N - only tv2
05	15	5	5	7	20
21	15	5	5	7	
22	17	5	5	20	60



TECHNICAL DATA

Operating voltage	220 / 240 V (-15... +10%) 50-60 Hz (±5%)
Fuse rating	10 A fast, 6 A slow
Power consumption	ca. 12 VA
Max. load per output	
- term. 3 ignition trafo	1.0 A, cos φ 0.2
- term. 4 motor	2.0 A, cos φ 0.4
- term. 5 + 6 solenoid valves	0,5 A, cos φ 0.4
- term. 7 alarm indicator	0,5 A, cos φ 0.4
total load	4.0 A, cos φ 0.4 max. 16 A during 0,5 sec
Reset time from lock out	none
Re-cycling / repetition (max. 4x) after a loss-of-flame during operation	
Flame detectors	< 2 m length of cable
MZ 770 S	side-on and end-on viewing
Light sensitivity	better 6 Lux
IRD 1010.1	side-on or end-on viewing
Weight incl. Wiring base	190 g
Mounting position	any
Protection class	IP40
Approved ambient parameter for control and flame detector	max. 95% bei 30 °C
- for operation	-5° C... +60 °C
- for storage	-20° C... +80 °C
Build-up of ice, penetration of water and condensing water are	inadmissible
Approvals according to European standards	EN 2J1 KGEFG Conformity to: - EMC 2014/30/EU - LVD 2014/35/EU

APPLICATION FEATURES

1. Information system

The information system is microprocessor based and reports on all aspects of burner control box operation and flame supervision. It informs continuously about the actual programming sequence the unit is just performing. Besides monitoring of the programming sequence it also allows to identify errors during start-up of operation without any additional testing devices. The automatically performed diagnoses is a valuable tool which facilitates service/maintenance work and therefore saves costs. The analyses of the error cause can be done directly on stage or if not possible afterwards as the lockout reason is stored in a non-volatile lock out mode memory.

The information system communicates with the outside world using a LED (the used Flash-Code is similar to the Morse-Code). The messages are optically transmitted by flashing appropriately a LED. Using an (optional) additional terminal the messages can be recorded and displayed in easy readable form.

1.1 Programming sequence display

The built-in microprocessor controls not only the programming sequence but the information system too. The individual phases of the programming sequence are displayed as Flash-Code.

The following messages can be distinguished:

Message	Flash-Code
start	
burner in operation (from end of safety time)	
stop	■ ■

Description

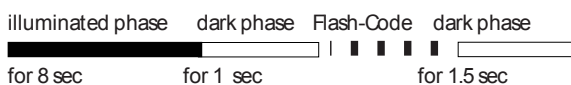
| = short pulse

■ = long pulse

1.2 Lock-out diagnoses

In case of a failure the LED is permanently illuminated. Every 10 seconds the illumination is interrupted by a flash code, which indicates the cause of the error. Therefore the following sequence is performed which is repeated as long as the unit is not reset.

Sequence:



Blinking codes: see appendix A

2. Flame control

The following detectors can be used for flame supervision:

- for yellow oil flame: photoresistor MZ770 S (side-on and end-on viewing)
- for blue or yellow flame: infrared-flicker detector type IRD 1010.1

Generally, the no flame signal is generated at light levels below 3 Lux with respect to the operating cycle of the control. According to norm stray light safety level has to be established in conjunction with the accompanying burner. Connecting the IRD 1010.1 the correct wiring has to be observed.

2.1 Stray light monitoring

The stray light check is performed at the end of the pre-purge time for the duration as mentioned in the table of timings.

3. Lock out and reset

The unit can be reset or brought into lock out mode in two different ways:

Internal

In the lock out case the unit can be reset by pushing the built-in button meaning a new start-up cycle is performed.

External

Instead of using the built-in lock out button the same function can be achieved by using an external button which connects terminal 9 with A (see also circuit and block diagram).

If the pushbutton (internal or external) is pressed during normal operation or during the start sequence for more than 100ms and afterwards released, the control box will perform a shutdown.



Please note

The unit can only be brought to lockout mode or be reset if power is applied to the unit.

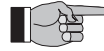
4. Safety

The design and control sequence of the DKO 970-N/972-N controls will comply with the currently applicable standards and regulations (see also TECHNICAL DATA).

5. Mounting and electrical wiring

Wiring base:

- 3 earth terminals with additional terminal for burner earthing
- 3 neutral terminals with internal permanent connection to neutral terminal 8
- 2 independent spare terminals (S1 and S2)
- extra terminals A, B and C are standard (wiring base S98 12-pin)
- 2 slide-in plates and 2 easy knock out holes plus 2 knock out holes in the base bottom facilitate the base wiring



Please note

To assist trouble-free operation the main neutral connection terminal 8 in the wiring base must be fully tightened. The terminal screws are already in the undone position. To connect a wire to the terminal, the screw only needs to be fastened.

General: The control box and detector probes should not be subjected to excessive vibration.

INSTALLATION INSTRUCTIONS AND MAINTENANCE

1. Important notes

- The controls must be installed by qualified personnel only. The relevant national regulations have to be observed.
- On commissioning the wiring has to be carefully checked according to the appropriate diagram. Incorrect wiring can damage the unit and endanger the installation.
- The fuse rating has to ensure that the limits specified in TECHNICAL DATA will not be exceeded. If these precautions are not observed, the effect of a short circuit can cause severe damage to the control and installation.
- For safety reasons a minimum of one control shutdown every 24 hours has to be observed.
- Disconnect the mains before the control box is plugged in or out.
- The control box is a safety device and must not be opened!

2. Function control

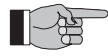
For safety reasons the flame detection system should be tested on commissioning the installation as well as after a service or longer shut-down.

- Start-up with covered flame detector
 - After lock out safety time is over the unit has to go into lock out mode!
- Start-up with exposed flame detector
 - After prepurge time the unit has to go into lock out mode!
- Normal start-up with burner in the normal position, cover up the flame detector
 - After start-up, and end of lock out safety time the unit has to go into lock out mode!

3. Fault finding

The built-in information system facilitates the trouble shooting in the case of problems occurring during start-up or during operation.

A list of possible lock out messages can be found in APPLICATION FEATURES chapter 1.2.



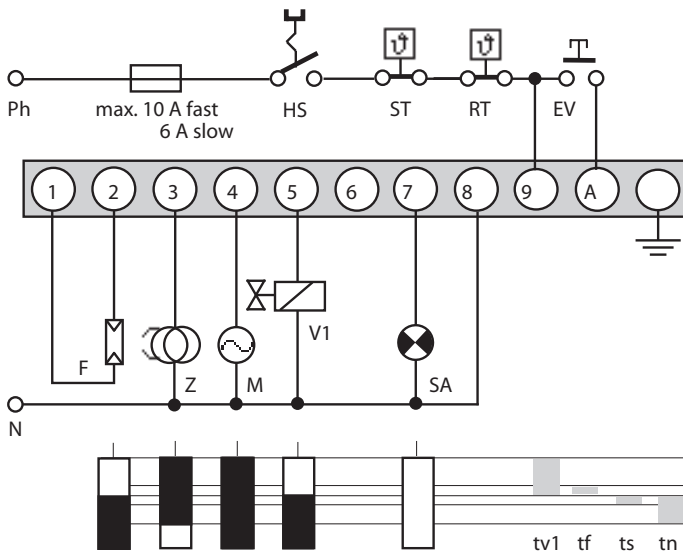
Please note:

The control box is locked in lock out mode and the reason for the lock out is displayed until the control box is reset, either by an internal or external reset (see also subject "3. Lock out and reset").

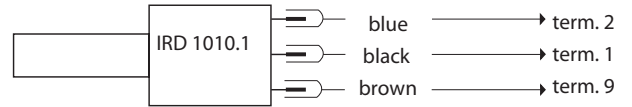
Removing the control box from its wiring base or by interrupting the supply line may not reset a lock out (according to norm).

Error	Possible fault
Burner not working	- Thermostat circuit open - Faulty electrical wiring - Mains voltage < 187 V - Terminal A continuously on power (e.g. terminal A is used as a support terminal)
Burner starts, flame not established, lock out	- Stray light on flame detector - No ignition or no fuel
Burner starts, flame established, after safety time, lock out	- Dirty or faulty flame detector - Insufficient light on detector - Sensitivity adjustment too low on IRD

CIRCUIT AND TIMING DIAGRAM DKO 970-N

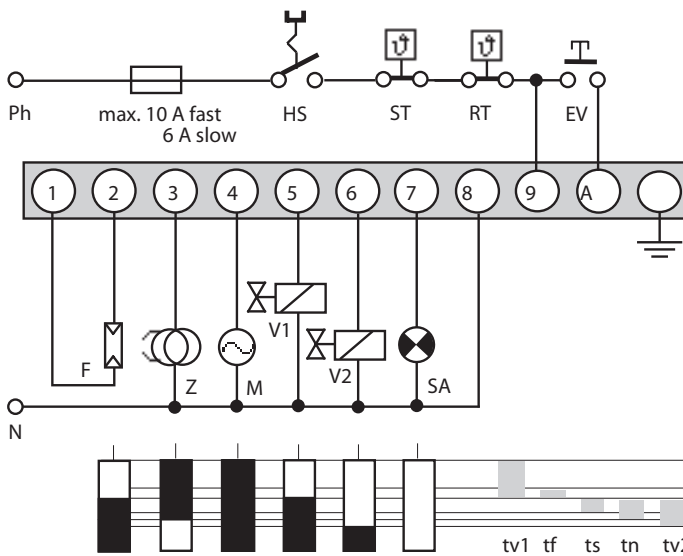


IRD-CONNECTION

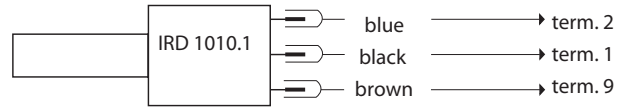


- HS Mains switch
- ST Limit thermostat
- RT Control thermostat
- EV External reset and lock out button
- F Flame detector MZ 770 S
(IRD 1010.1 see separate diagram)
- Z Ignition
- M Burner motor
- V1 Oil solenoid valve, 1st-stage
- SA External lock out signal
- tv1 Pre-purge and pre-ignition time
- tf stray light monitoring
- ts Lock out safety time
- tn Post-ignition time

CIRCUIT AND TIMING DIAGRAM DKO 972-N

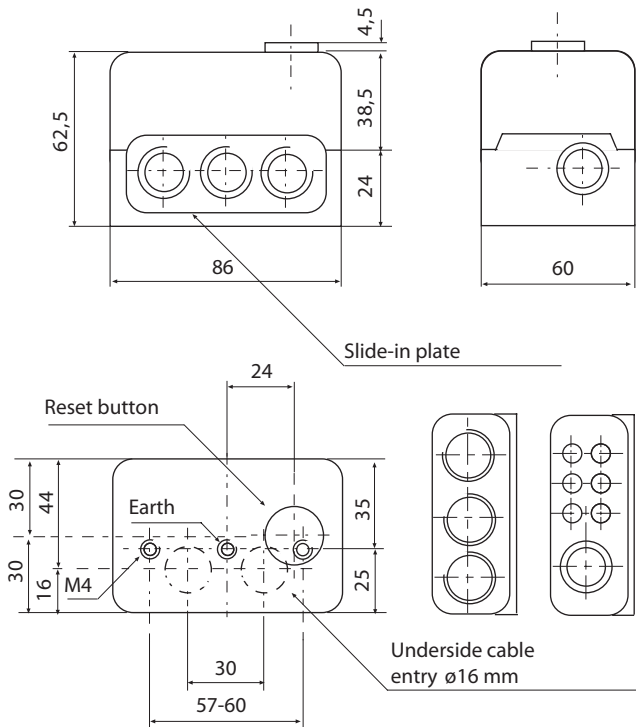


IRD-CONNECTION

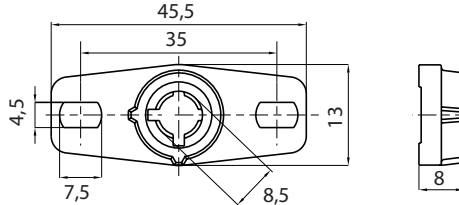


- HS Mains switch
- ST Limit thermostat
- RT Control thermostat
- EV External reset and lock out button
- F Flame detector MZ 770 S
(IRD 1010.1 see separate diagram)
- Z Ignition
- M Burner motor
- V1 Oil solenoid valve, 1st-stage
- V2 Oil solenoid valve, 2st-stage
- SA External lock out signal
- tv1 Pre-purge and pre-ignition time
- tf stray light monitoring
- ts Lock out safety time
- tn Post-ignition time
- tv2 Delay time to oil V2

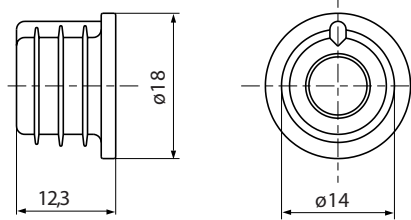
DKO 970-N/972-N AND SOCKET



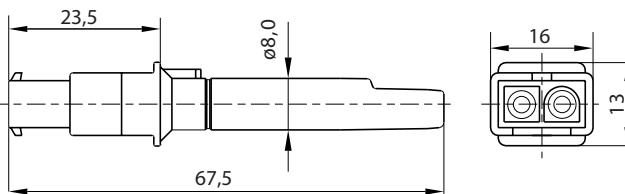
HOLDER FOR MZ 770 S



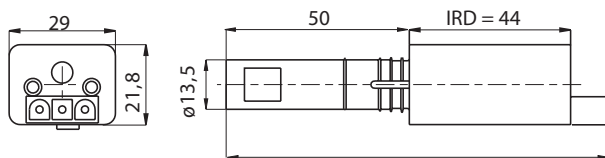
SHAFT MZ 770 S



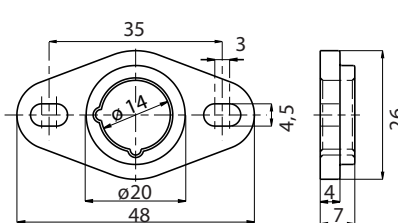
PHOTORESISTOR MZ 770 S



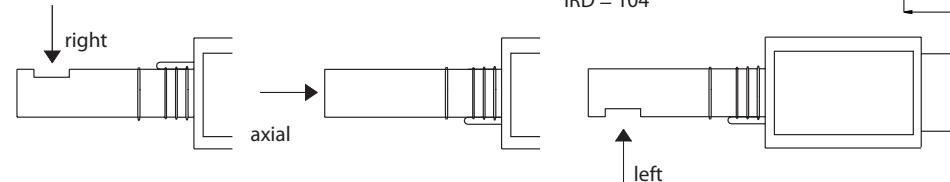
IRD 1010.1



HOLDER M74 FOR IRD



VARIATION IRD



ORDERING INFORMATION

ITEM	DESIGNATION	ITEM NO.
Control box	DKO 970-N Mod. 05	0410005
or	DKO 972-N Mod. 05	0412005
or	DKO 970-N Mod. 21	0412021
or	DKO 972-N Mod. 22	0412022
Socket	Wiring base S98 12-pin	75310
Insert plate	PG-Plate	70502
optional	Cable entry plate	70503
Flame detector	MZ 770 S	50001
optional	MZ 770 S with shaft	51001
optional	IRD 1010.1 right	16501
	IRD 1010.1 end-on	16502
	IRD 1010.1 left	16503
Support for flame detector	Holder for MZ 770 S	59101
optional	Holder M 74 for IRD	59074
Connection cable	Plug type, 3 core cable, 0.6 m with tag wire ends	7236001
Connection cable	Plug type, 2 core cable, 0.5 m with tag wire ends	7225001

The above ordering information refers to the standard version.
Special versions are also included in our product range.

Specifications subject to change without notice

Appendix A

Blinkcode Dxx-N

1 Normal Operation

● —	Idle state, no heat demand
● — —	Power supply not ok (frequency or voltage)
● ● —	Start delay (cooling down ignition device, RT is on)
● ●	Waiting for FT-on, LW-off, LK-open
● ● ●	Burner is starting
●	Burner in operation (from end of safety time)
● ● — —	Burner is stopping (e.g. in post-purge)

Code is sent every 5 s; in between the LED is off

2 Special Codes (no lock-out)

● ● ● ● ● ●	Device in Status „Parameter-Download“
● ● ● — — —	Parameter set for test; device will start only after release with serial communication
— — — — — —	“End of Life” warning

Code is sent every 5 s; in between the LED is off

3 Burner lock-out

— ●	False flame
● —	No flame at the end of the safety time
● ● —	Flame failure in operation
— ● ●	Flame present after the end of operation phase
● ● ● —	No flame signal during ignition spark supervision
— ● ● ●	Two flame sensors connected
● — —	Air pressure switch (LW) opened during supervised phase
— — ●	Air pressure switch (LW) didn't close
● — — —	Air pressure switch (LW) didn't open
● ● — —	Oil pre-heater release temperature couldn't be reached (FT didn't close)
— — ● ●	Oil temperature below threshold during supervised phase (FT opened)
— — — —	Manual lock-out
● ● ● ●	Unknown error code

Code is sent every 10 s; in between the LED is always on

4 Special Codes (lock-out)

— — — — — —	„End of Life“ lock-out
X X X X X X	Other 6-pulse code indicates system lock-out (internal failure)

Code is sent every 10 s; in between the LED is always on

Legend: flashlight signal: — long (½ s) ● short (0.1 s)
 RT: heat demand
 FT: pre-heater release thermostat
 LW: air proving switch
 LK: air damper

Sales Affiliates ECC OEM Europe

A | Netherlands, Belgium, Luxembourg, Scandinavia

Honeywell B.V.
Laarderhoogtweg 18-20
1101 EA Amsterdam Z.O.
NETHERLANDS
Ph.: (+31) 2 05 65 69 11
Fax: (+31) 2 05 65 66 00
info@honeywell.nl
www.honeywell.nl

B | United Kingdom

Honeywell Control System Ltd.
Unit 2 President Buildings,
Savile Street East
S Yorks S4 7UQ
Sheffield
UNITED KINGDOM
Ph.: (+44) 114 286 0920
www.honeywell.com/sites/uk

C | France

Honeywell SA
Parc Technologique de St. Aubin
Bâtiment Mercury BP87
91193 Gif-Sur-Yvette Cedex
FRANCE
Ph.: (+33) 1 60 19 80 00
Fax: (+33) 1 60 19 81 81
www.honeywell.fr

D | Spain - Portugal

Honeywell S.A.
Josefa Valcárcel 14
28027 Madrid
SPAIN
Ph.: (+34) 9 13 13 61 00
Fax: (+34) 9 13 13 61 27
www.honeywell.es

E | Germany, Austria, Switzerland, Liechtenstein

Honeywell GmbH
Hardhofweg
74821 Mosbach
GERMANY
Ph.: (+49) 6261 - 81 - 0
Fax: (+49) 6261 - 81 461
www.honeywell.de

F | Italy

Honeywell srl
Via Philips n.12
20052 Monza
ITALY
Ph.: (+39) 0 39 21 65 1
Fax: (+39) 0 39 21 65 402
www.honeywell.it

G | Slovakia

Honeywell s.r.o.
Mlynske Nivy 71
PO Box 75
82007 Bratislava 27
SLOVAKIA
Ph: (421) 2 322 622 11
Fax: (+421) 2 322 622 55 (54)
http://www.honeywell.sk

H | Czech Republic

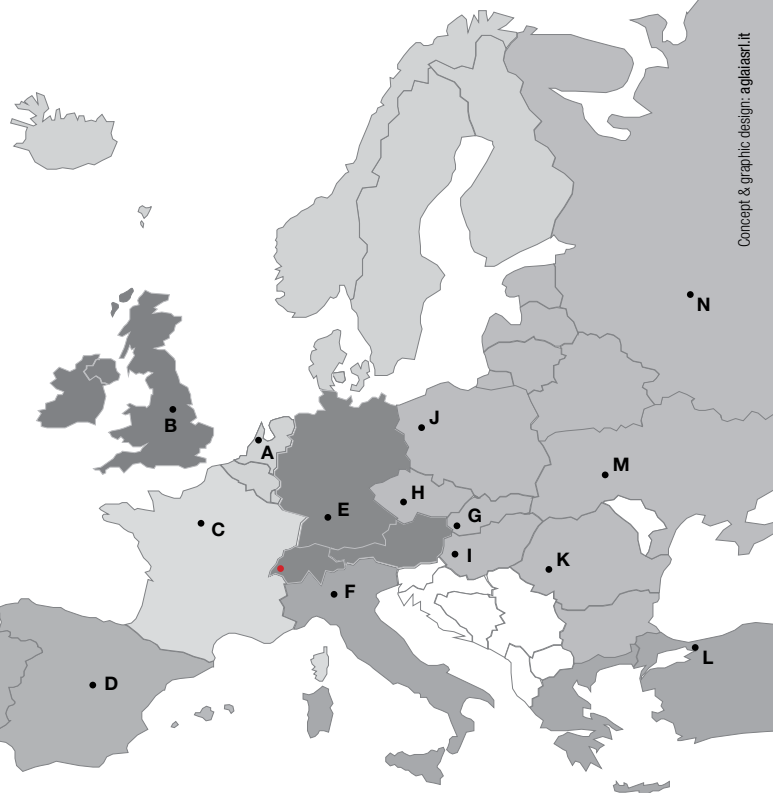
Honeywell spol. s.r.o.
V parku 2326/18
14800 Prague
CZECH REPUBLIC
Ph: (+420) 242 442 111 (255)
Fax: (+420) 242 442 181
www.honeywell.cz

I | Hungary

Honeywell Kft.
Petnehazy U. 2-4
1139 Budapest
HUNGARY
Ph: (+36) 1 451 4300 (46)
Fax: (+36) 1 451 4343
www.honeywell.hu

J | Poland

Honeywell Sp.z.o.o.
Domaniewska 39b
02672 Warsaw
POLAND
Ph: (+48) 22 60 60900 (50)
Fax: (+48) 22 60 60983
www.honeywell.com.pl



K | Romania

Honeywell Romania SRL
Calea Floreasca 169A
014462 Bucharest
ROMANIA
Ph: (+40) 312 24 3000 (3)
Fax: (+40) 212 31 6439
www.honeywell.ro

L | Turkey

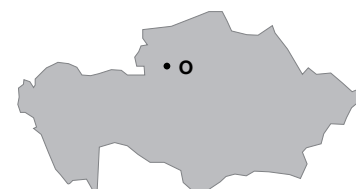
Honeywell A.S.
Cayiriyolu Sok. No:7
Ucgen Plaza, Kat:7
Icerenkoy 34752 Istanbul
TURKEY
Ph.: (+90) 216 578 7120
Fax: (+90) 216 575 6637
www.honeywell.com.tr

M | Ukraine

IP Honeywell Ukraine
Silver Centre
4, Ivana Lepshe ave.
03680 Kiev
UKRAINE
Ph: +(380) 44 351-15-50 (52)
Fax: +(380) 44 351-15-51 (53)
www51.honeywell.com/ru

N | Russia

ZAO Honeywell
Luzhniki 24
119048 Moscow
RUSSIA
Ph: (+7) 495 796 9800 (35)
Fax: (+7) 495 796 9894 (797 9370)
www51.honeywell.com/ru



O | Kazakhstan

Honeywell Automation Controls
42, Timiryazev Str.
050057 Almaty
KAZAKHSTAN
Ph: (+7) 727 2747 747
Fax: (+7) 727 2752 252
www51.honeywell.com/ru

● Honeywell Technologies SárI
ACS – ECC EMEA
Z.A. La Piece 16
CH-1180 Rolle
Switzerland
Ph.: (+41) 21 695 3000
Fax: (+41) 21 695 3030
http://ecc.emea.honeywell.com
www.honeywell.com

Honeywell
Combustion Controls EMEA