

inter Bär GmbH + Co. KG, Hälverstr. 43, 58579 Schalksmühle, Tel. 02355/893-0, FAX 02355/893-190
Person in charge: Robert Thieltges 893-130

Technical data sheet

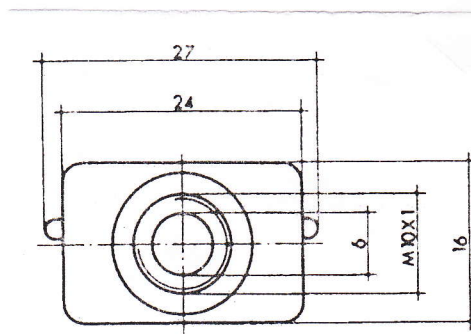
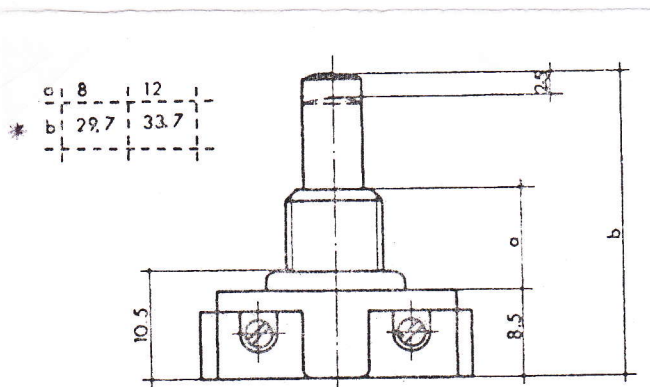
Article - Description

Push-button Switch Type 8001

6 (2) A, 250 V ~, 1-pole, on-off switch, T 85 ° C
central fitting M 10 x 1 mm
screw terminals,
screwed on bell-shaped nut,

This type is suitable for switching the secondary circuit of halogen lamps.

Article - Picture



* At the height of 29,7 mm are possible tolerances of about 5 %!!

<i>inter Bär-item no.</i>	<i>colour</i>	<i>Version</i>
8001-007.01	button white	thread length 8 mm