

# 740 Series



Art. 740



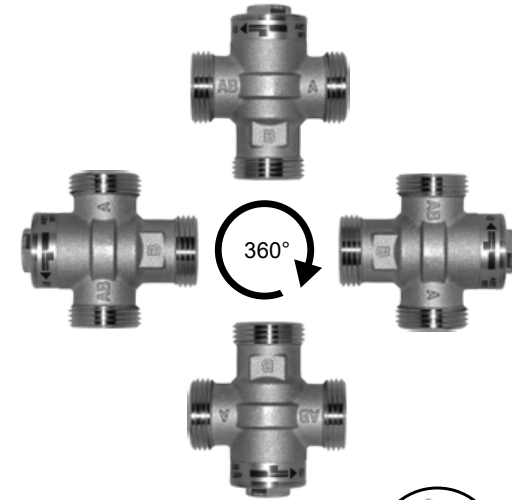
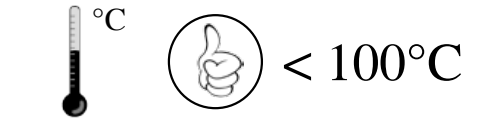
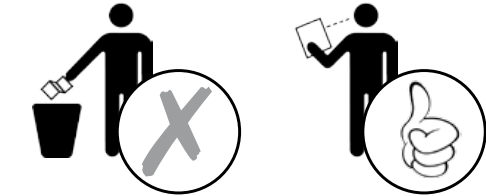
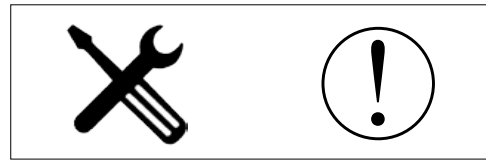
Art. 741C



Art. 746



Art. 749



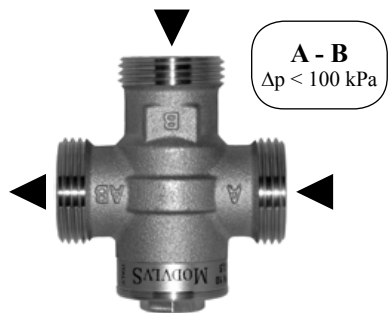
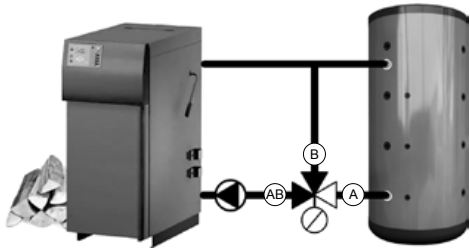
Kvs 3,5: < 32 kW - 1400 l/h

Kvs 7,2: < 65 kW - 2800 l/h

Rev. 1 - 21/03/13

# 740 Series

45°C - 55°C - 60°C - 72°C



70°C - 80°C

