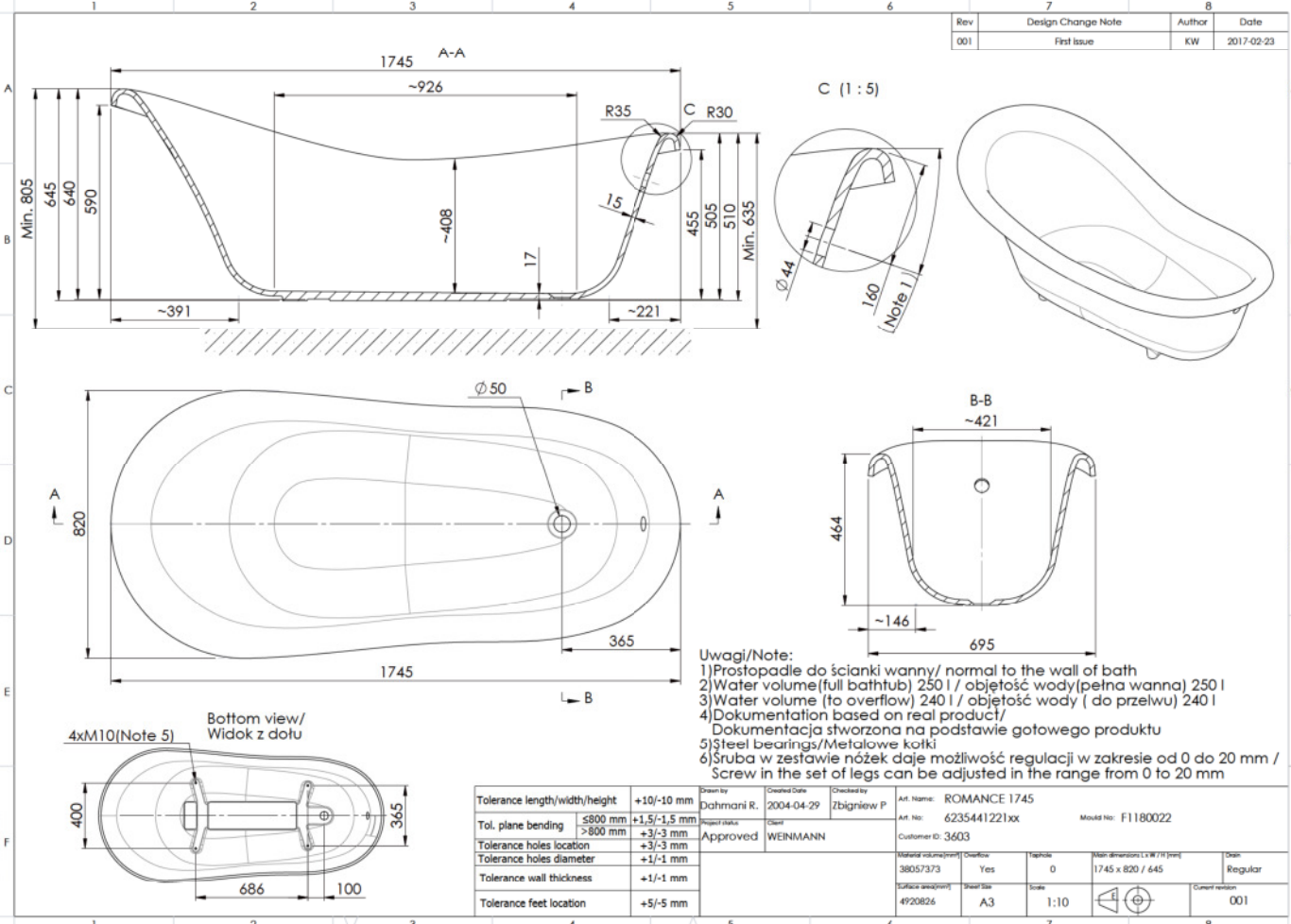


This document must not be copied without our written permission, and the contents thereof must not be imparted to third parties without our prior written consent.

Rev	Design Change Note	Author	Date
001	First Issue	KW	2017-02-23



- Uwagi/Note:**
- 1) Prostopadłe do ścianki wanny / normal to the wall of bath
  - 2) Water volume (full bathtub) 250 l / objętość wody (pełna wanna) 250 l
  - 3) Water volume (to overflow) 240 l / objętość wody (do przelewu) 240 l
  - 4) Dokumentacja based on real product / Dokumentacja stworzona na podstawie gotowego produktu
  - 5) Steel bearings / Metalowe kotki
  - 6) Śruba w zestawie nóżek daje możliwość regulacji w zakresie od 0 do 20 mm / Screw in the set of legs can be adjusted in the range from 0 to 20 mm

Tolerance length/width/height	+10/-10 mm	Drawn by	Dahmani R.	Created Date	2004-04-29	Checked by	Zbigniew P.	Art. Name:	ROMANCE 1745
Tol. plane bending	≤800 mm +1,5/-1,5 mm >800 mm +3/-3 mm	Project status	Approved	Client	WEINMANN	Art. No:	6235441221xx	Mould No:	FI180022
Tolerance holes location	+3/-3 mm			Customer ID:	3603	Material volume (mm <sup>3</sup> )	38057373	Overflow	Yes
Tolerance holes diameter	+1/-1 mm					Surface assign (mm <sup>2</sup> )	4920826	Panel Size	A3
Tolerance wall thickness	+1/-1 mm					Scale:	1:10	Current version	001
Tolerance feet location	+5/-5 mm					Main dimensions L x W x H (mm)		1745 x 820 / 645	Dean
									Regular